



US00D945614S

(12) **United States Design Patent**  
**Binder**

(10) **Patent No.:** **US D945,614 S**  
(45) **Date of Patent:** **\*\* Mar. 8, 2022**

- (54) **EPISTAXIS TREATMENT DEVICE**
- (71) Applicant: **BINYARCO, LLC**, Bentleyville, OH (US)
- (72) Inventor: **Jeffrey E. Binder**, Bentleyville, OH (US)
- (73) Assignee: **BINYARCO, LLC**, Bentleyville, OH (US)
- (\*\*) Term: **15 Years**
- (21) Appl. No.: **29/710,144**
- (22) Filed: **Oct. 21, 2019**

**Related U.S. Application Data**

- (62) Division of application No. 29/600,467, filed on Apr. 12, 2017, now Pat. No. Des. 868,251.
- (51) **LOC (13) Cl.** ..... **28-03**
- (52) **U.S. Cl.**  
USPC ..... **D24/141**
- (58) **Field of Classification Search**  
USPC ..... D24/106, 141, 133, 173, 214, 215;  
D7/649, 652; D11/73; D21/568  
CPC ..... A61F 13/2005; A61F 13/2022; A61F  
13/2031; A61F 13/204; A61B 17/24;  
A61B 17/246  
See application file for complete search history.

(56) **References Cited**

**U.S. PATENT DOCUMENTS**

462,910 A	11/1891	Hallock
D163,086 S	5/1951	Brooks
4,568,326 A	2/1986	Rangaswamy
4,950,280 A	8/1990	Brennan
D585,988 S	2/2009	Kinnard
D634,022 S	3/2011	Scappaticci
D675,726 S	2/2013	Solomon, Jr. et al.
9,023,078 B2	5/2015	Dehors

D850,642 S *	6/2019	Yokoyama	.....	D24/215
D910,867 S *	2/2021	Kaminski, Jr.	.....	D24/214
11,083,634 B2 *	8/2021	Binder	.....	A61F 13/126
2010/0016880 A1	1/2010	Ashenhurst		
2012/0071913 A1	3/2012	Tamez		

**OTHER PUBLICATIONS**

Fabco Nasal Packing [online], Aug. 21, 2015 [retrieved Mar. 26, 2019], Retrieved from the internet <URL:https://web.archive.org/web/20150821204555/http:fabco.net/catalog/ivalon-ophthalmic/nasal-packing/>, nasal packing image (Year: 2015).

\* cited by examiner

*Primary Examiner* — Richelle G Shelton

(74) *Attorney, Agent, or Firm* — Pearne & Gordon LLP

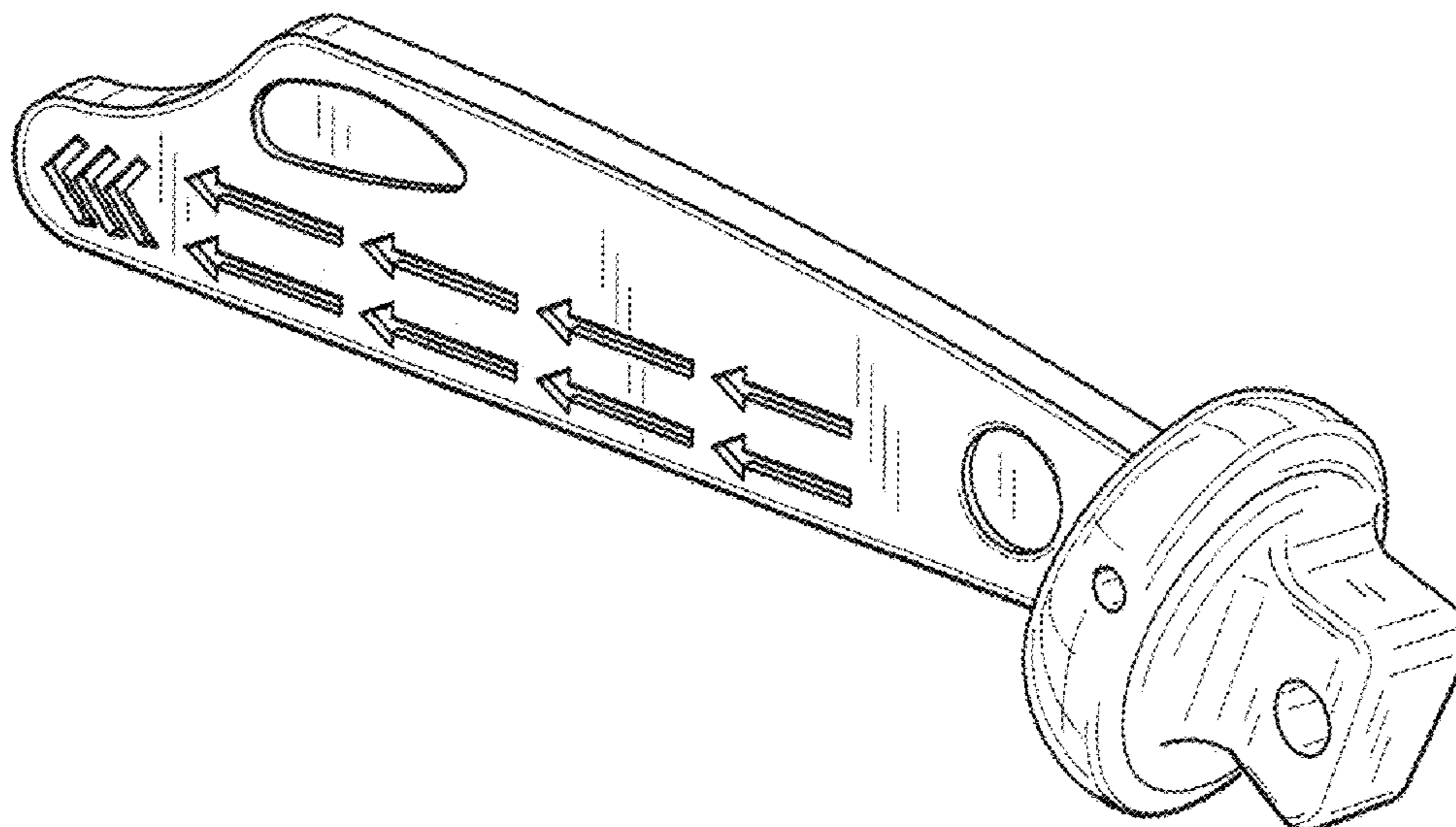
(57) **CLAIM**

The ornamental design for an epistaxis treatment device, as shown and described.

**DESCRIPTION**

FIG. 1 is a perspective view of a first embodiment of an epistaxis treatment device, showing my new design;  
 FIG. 2 is a right side view thereof, the left side view being a mirror image thereof;  
 FIG. 3 is a top view thereof;  
 FIG. 4 is a bottom view thereof;  
 FIG. 5 is a back view thereof;  
 FIG. 6 is a front view thereof;  
 FIG. 7 is a perspective view of a second embodiment of an epistaxis treatment device, according to the invention;  
 FIG. 8 is a right side view thereof, the left side view being a mirror image thereof;  
 FIG. 9 is a top view thereof;  
 FIG. 10 is a bottom view thereof;  
 FIG. 11 is a back view thereof; and,  
 FIG. 12 is a front view thereof.

**1 Claim, 4 Drawing Sheets**



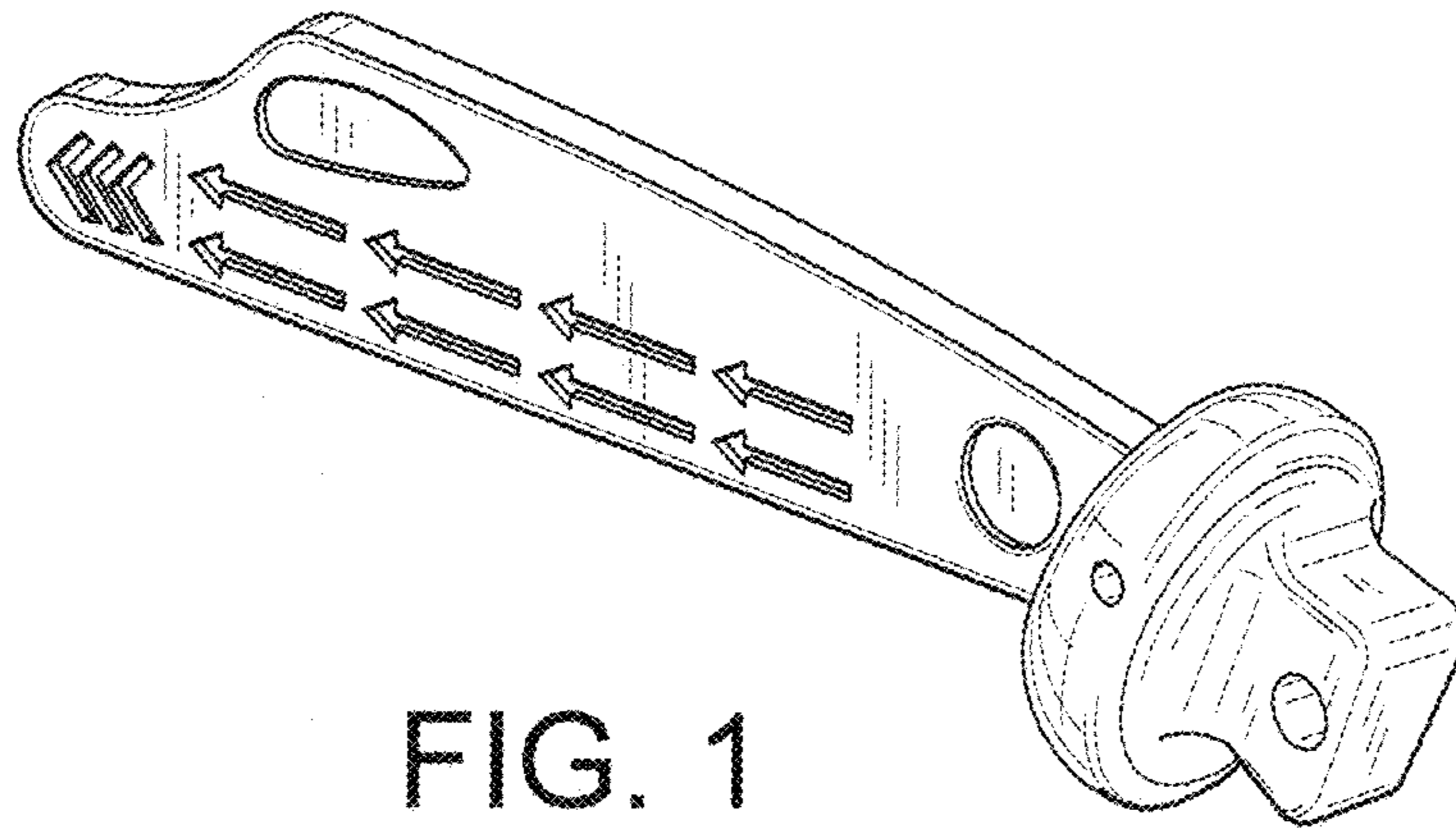


FIG. 1

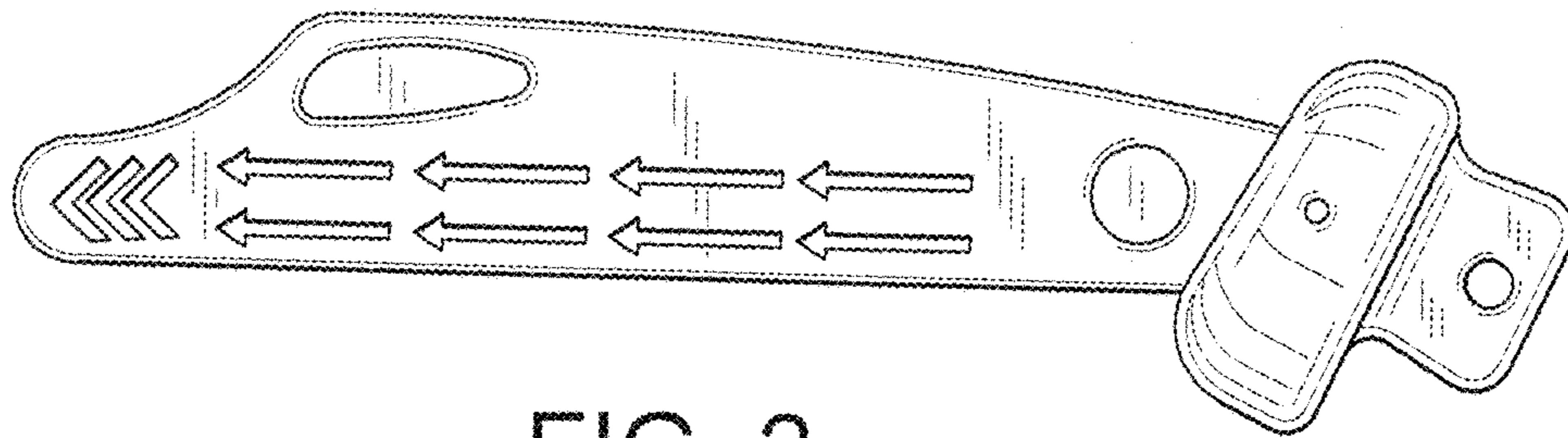


FIG. 2

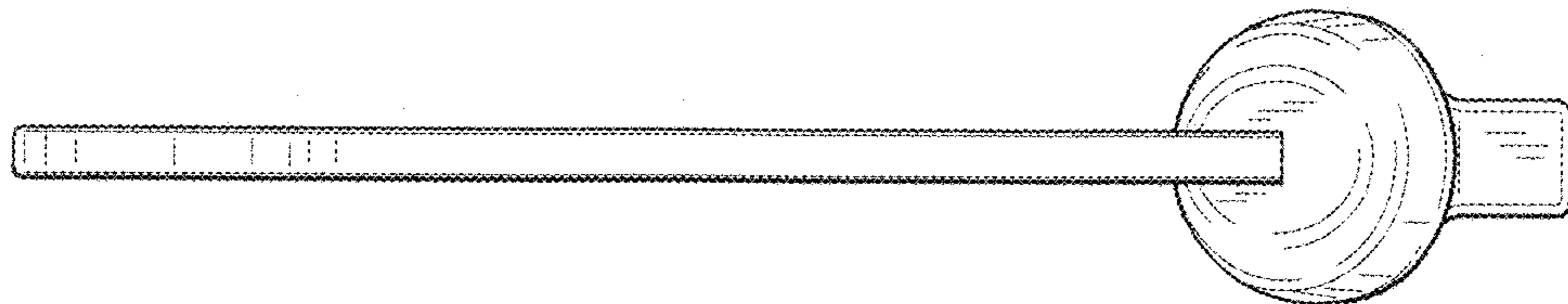


FIG. 3

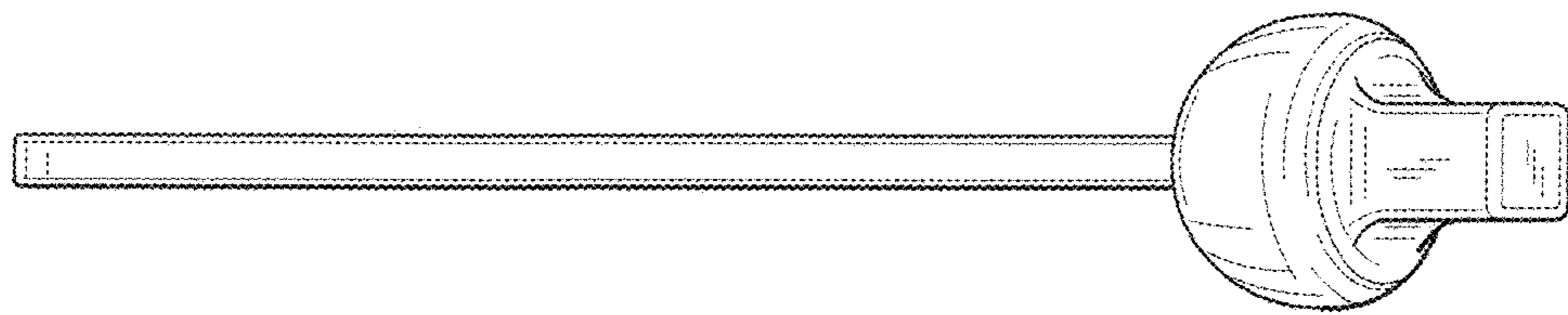


FIG. 4

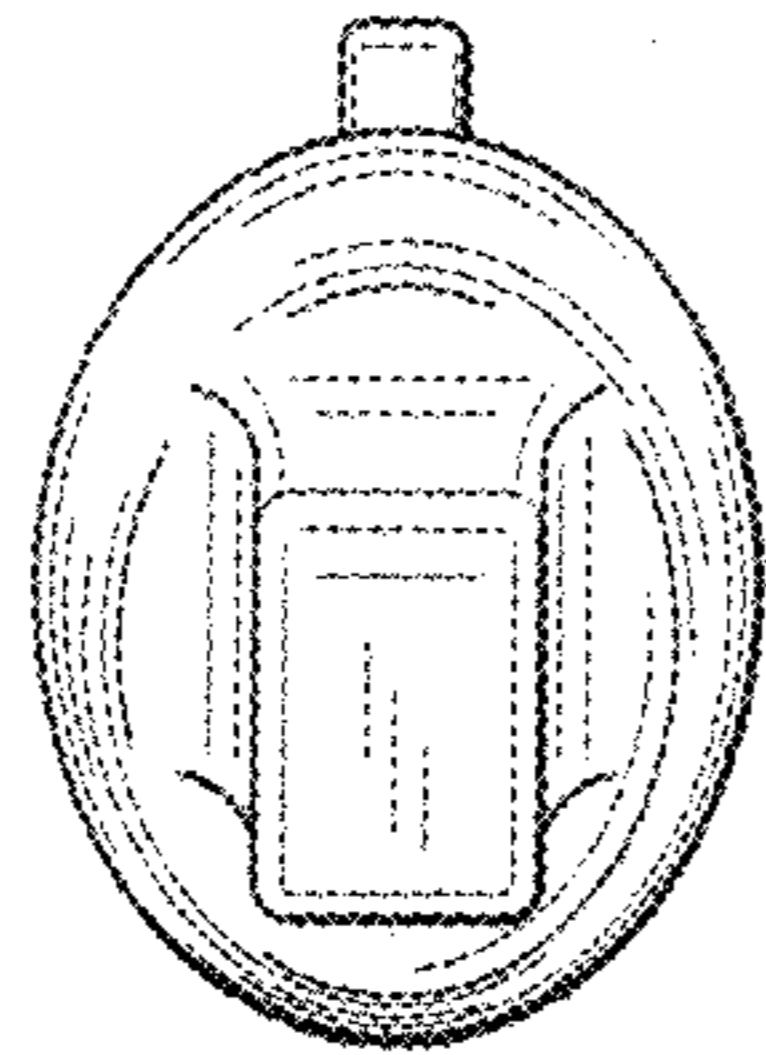


FIG. 5

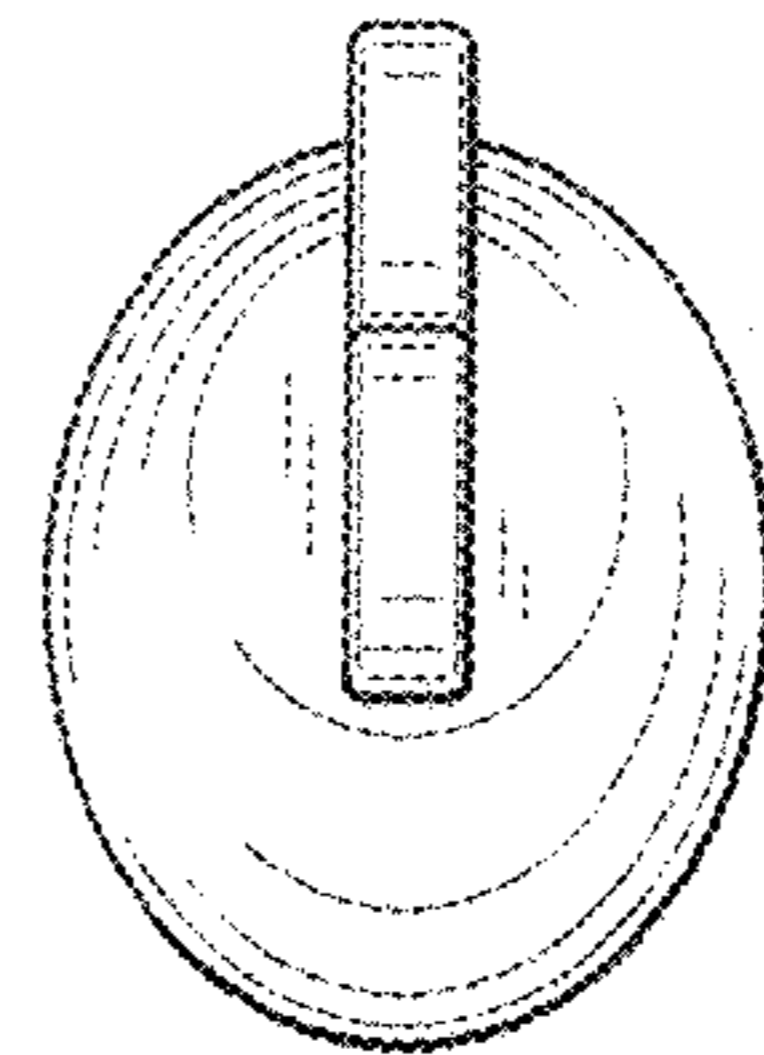


FIG. 6

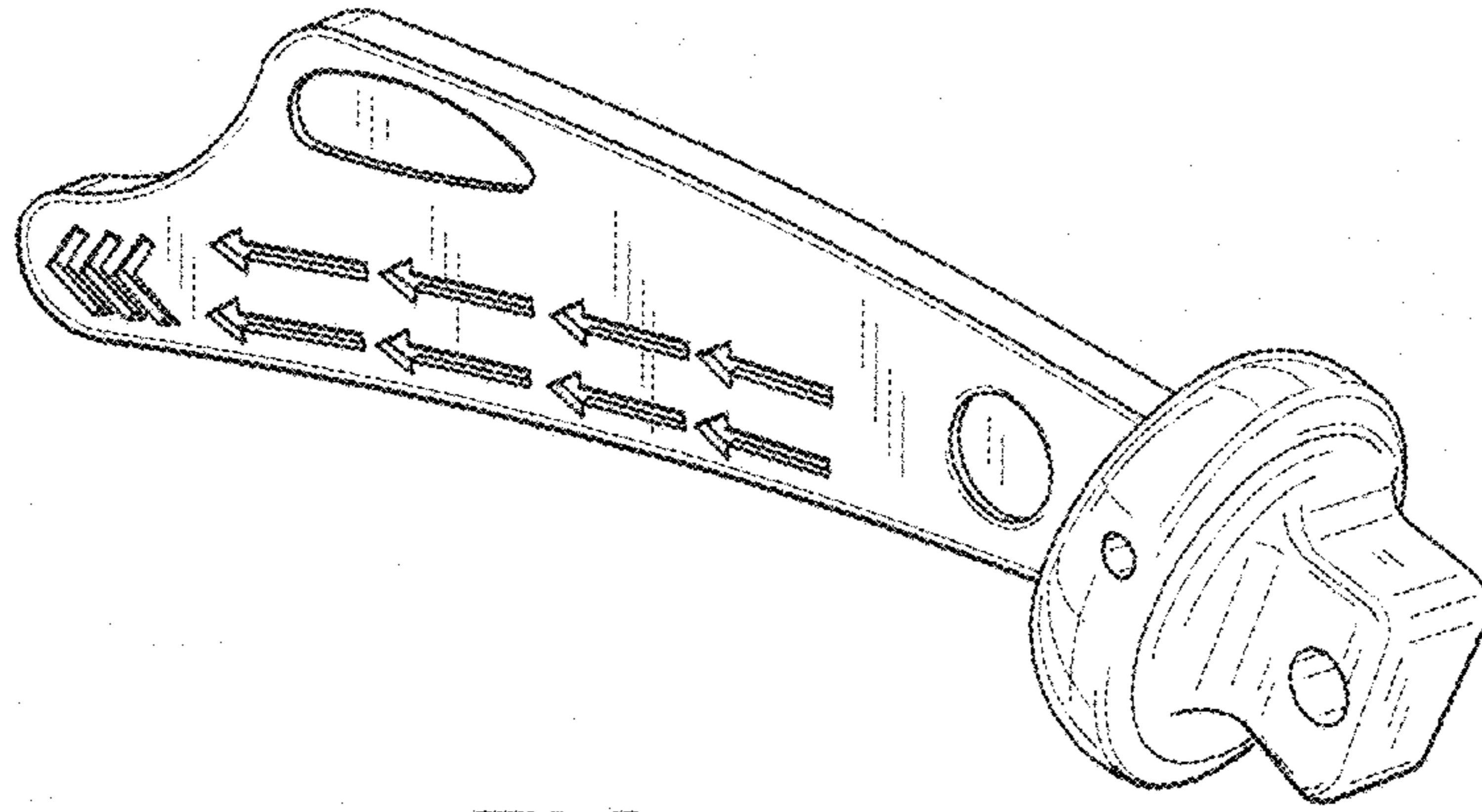


FIG. 7

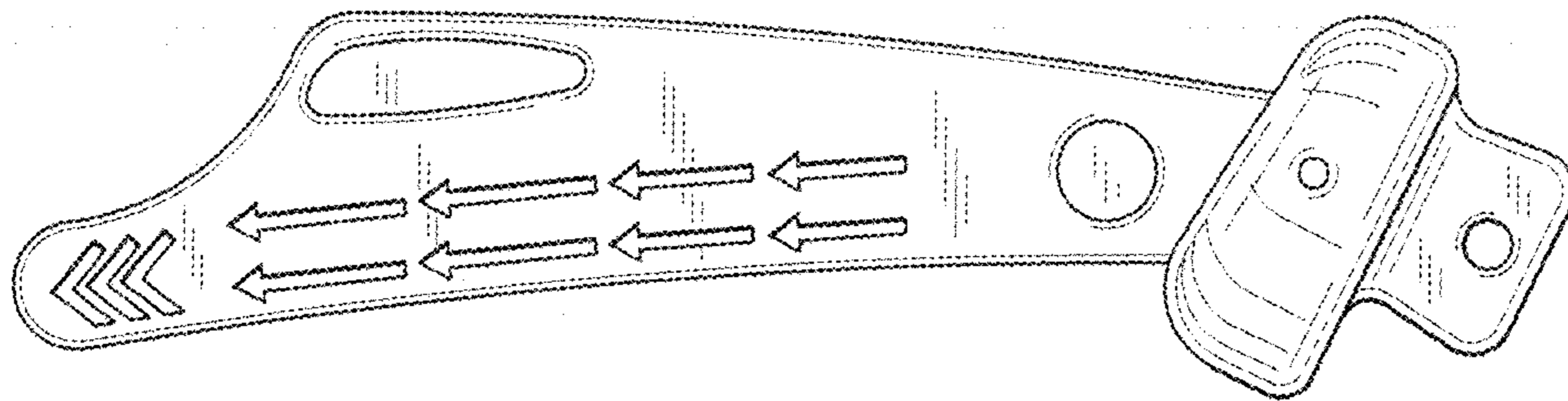


FIG. 8

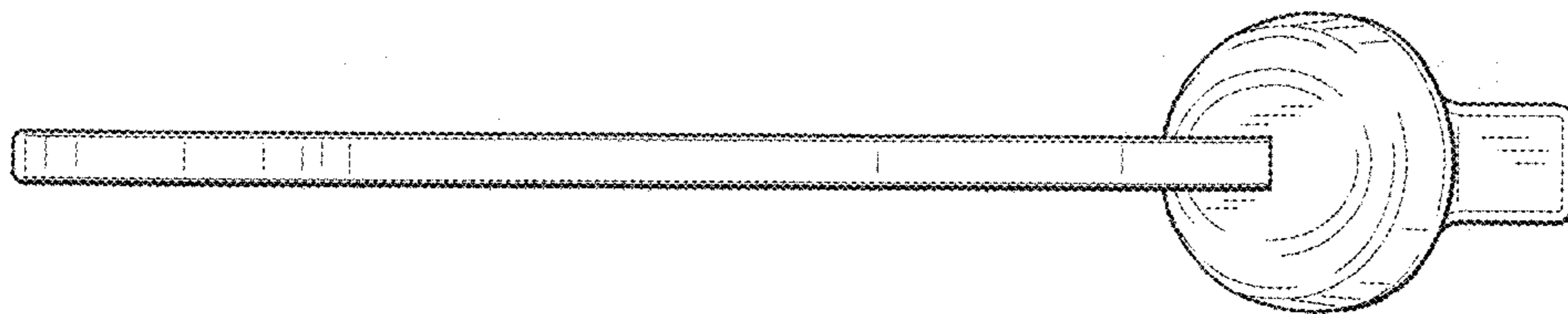


FIG. 9

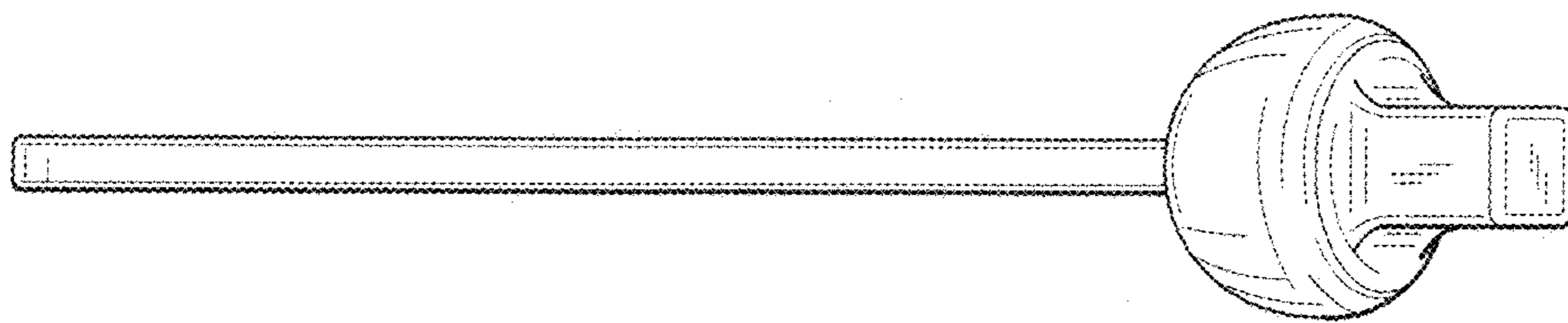


FIG 10

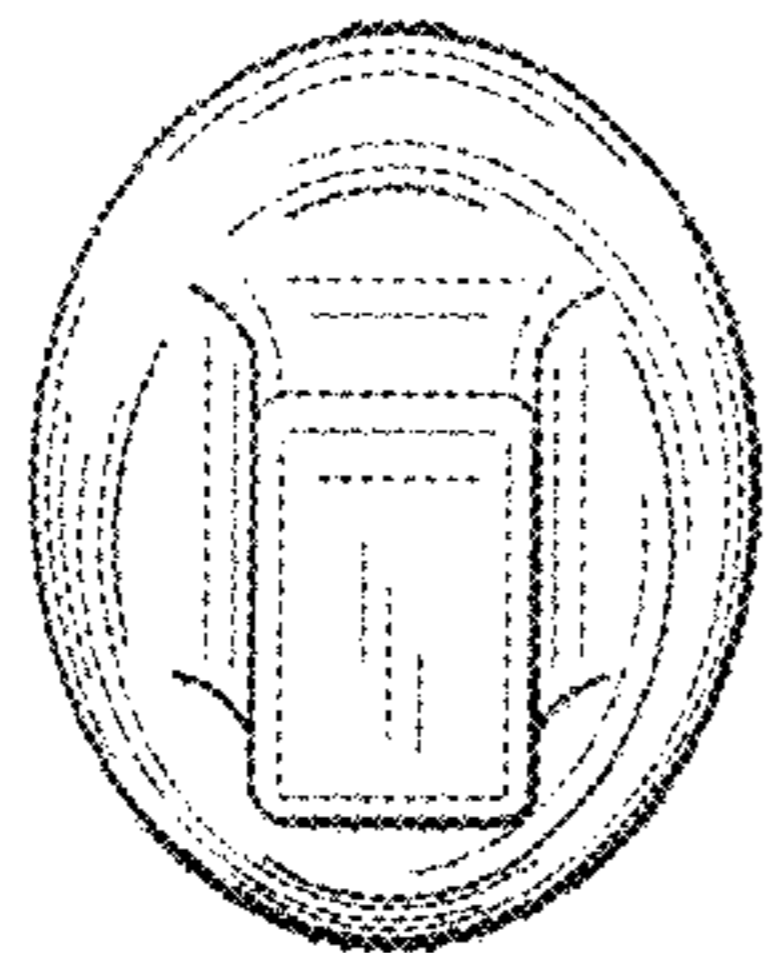


FIG. 11

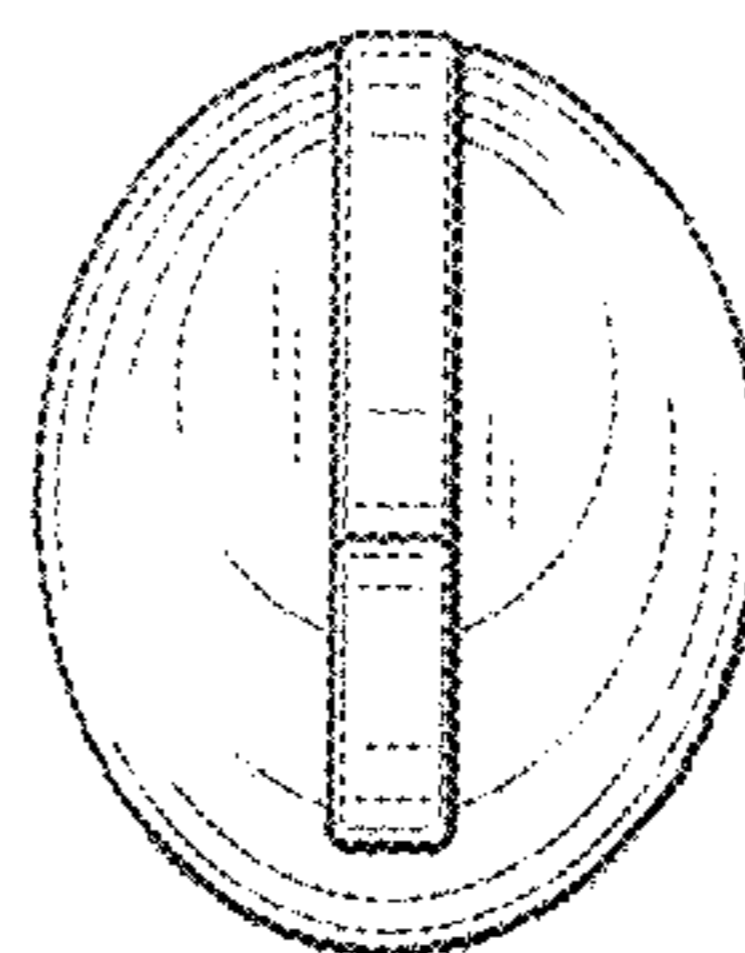


FIG. 12