



US00D945612S

(12) **United States Design Patent** (10) **Patent No.:** **US D945,612 S**
Lund (45) **Date of Patent:** **** Mar. 8, 2022**

(54) **ENDOSCOPE HANDLE**
(71) Applicant: **AMBU A/S**, Ballerup (DK)
(72) Inventor: **Jesper Grøndahl Lund**, Ballerup (DK)
(73) Assignee: **Ambu A/S**, Ballerup (DK)
(**) Term: **15 Years**

D777,915 S * 1/2017 Tanaka D24/138
10,165,931 B2 1/2019 Petersen et al.
D865,170 S * 10/2019 Suzuki D24/138
D870,886 S * 12/2019 Funakoshi D24/138
D871,575 S * 12/2019 Lohk D24/138
D872,261 S * 1/2020 Funakoshi D24/138
D888,237 S * 6/2020 Lohk D24/138
2014/0296633 A1 * 10/2014 Gumbs A61B 1/0052
600/109

(Continued)

(21) Appl. No.: **29/684,568**

FOREIGN PATENT DOCUMENTS

(22) Filed: **Mar. 22, 2019**

WO WO 2016/188537 12/2016
WO WO 2018/162556 9/2018

(30) **Foreign Application Priority Data**

(Continued)

Oct. 2, 2018 (EM) 005699527-0002

Primary Examiner — Manpreet S Matharu
Assistant Examiner — Yolanda Robinson

(51) **LOC (13) Cl.** **24-02**

(74) *Attorney, Agent, or Firm* — Faegre Drinker Biddle & Reath LLP

(52) **U.S. Cl.**
USPC **D24/138**

(58) **Field of Classification Search**
USPC D24/138, 137, 127, 113, 108, 133
CPC A61M 25/00; A61M 39/00; A61M 27/00;
A61M 25/0043; A61M 25/0067; A61M
25/0097; A61F 2/958
See application file for complete search history.

(57) **CLAIM**

The ornamental design for an endoscope handle, as shown and described.

DESCRIPTION

(56) **References Cited**

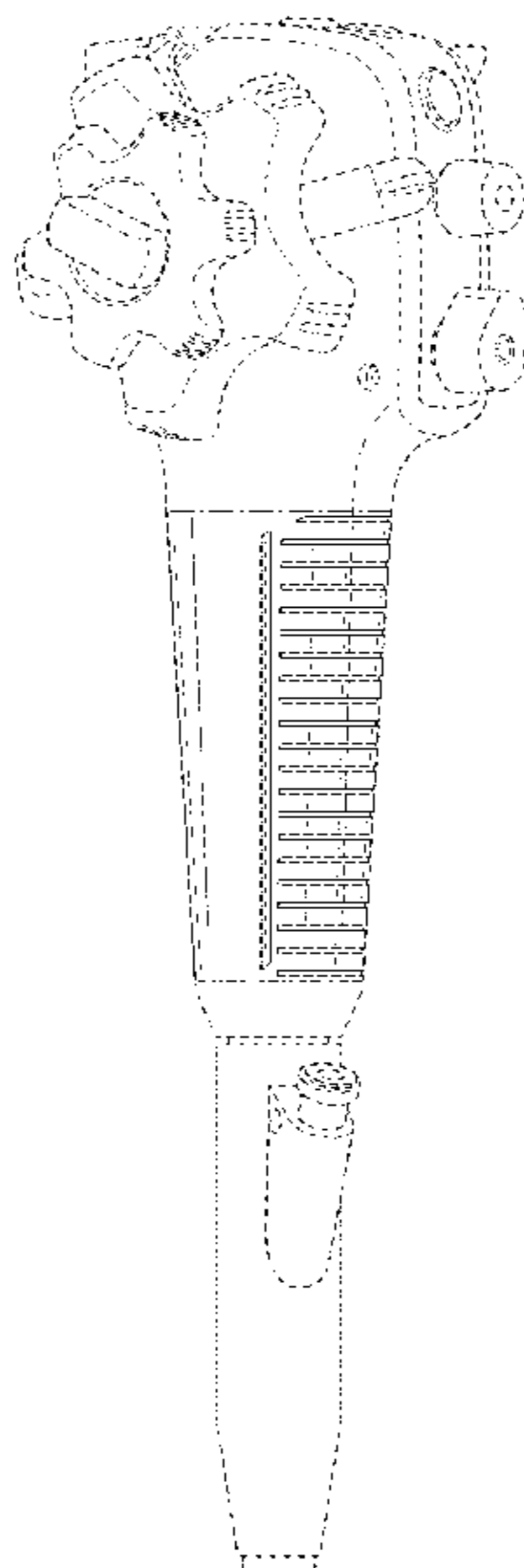
U.S. PATENT DOCUMENTS

2,470,013 A * 5/1949 Bhajekar A61B 1/307
600/101
D486,910 S * 2/2004 Hayamizu D24/138
D498,846 S * 11/2004 Hayamizu D24/138
D638,937 S * 5/2011 Tanaka A61B 1/00066
D24/138
D718,445 S * 11/2014 Yoshida D24/138
D718,447 S * 11/2014 Yoshida D24/138
9,220,400 B2 12/2015 Petersen
D753,298 S * 4/2016 Hayamizu D24/138
D753,823 S * 4/2016 Hayamizu D24/138
D757,262 S * 5/2016 Barki D24/138

FIG. 1 is a front perspective view of an endoscope handle showing my new design;
FIG. 2 is a left side view thereof;
FIG. 3 is a right side view thereof;
FIG. 4 is a rear view thereof;
FIG. 5 is a front side view thereof;
FIG. 6 is a top view thereof; and,
FIG. 7 is a bottom view thereof.

The dash-dot-dash broken lines that are shown in the endoscope handle disclose boundaries only and form no part of the claimed design. The dash-dash broken lines shown in the endoscope handle are for portions that form no part of the claimed design.

1 Claim, 7 Drawing Sheets



(56)

References Cited

U.S. PATENT DOCUMENTS

2016/0038000 A1* 2/2016 Miyahara A61B 1/005
600/110
2016/0089124 A1* 3/2016 Morimoto A61B 1/00098
606/205
2018/0296069 A1 10/2018 Matthison-Hansen
2018/0309908 A1 10/2018 Lund
2019/0366145 A1* 12/2019 Reda A63B 21/00069
2020/0322538 A1* 10/2020 Haggerty H04N 5/2253

FOREIGN PATENT DOCUMENTS

WO WO 2018/162559 9/2018
WO WO 2018/162561 9/2018

* cited by examiner

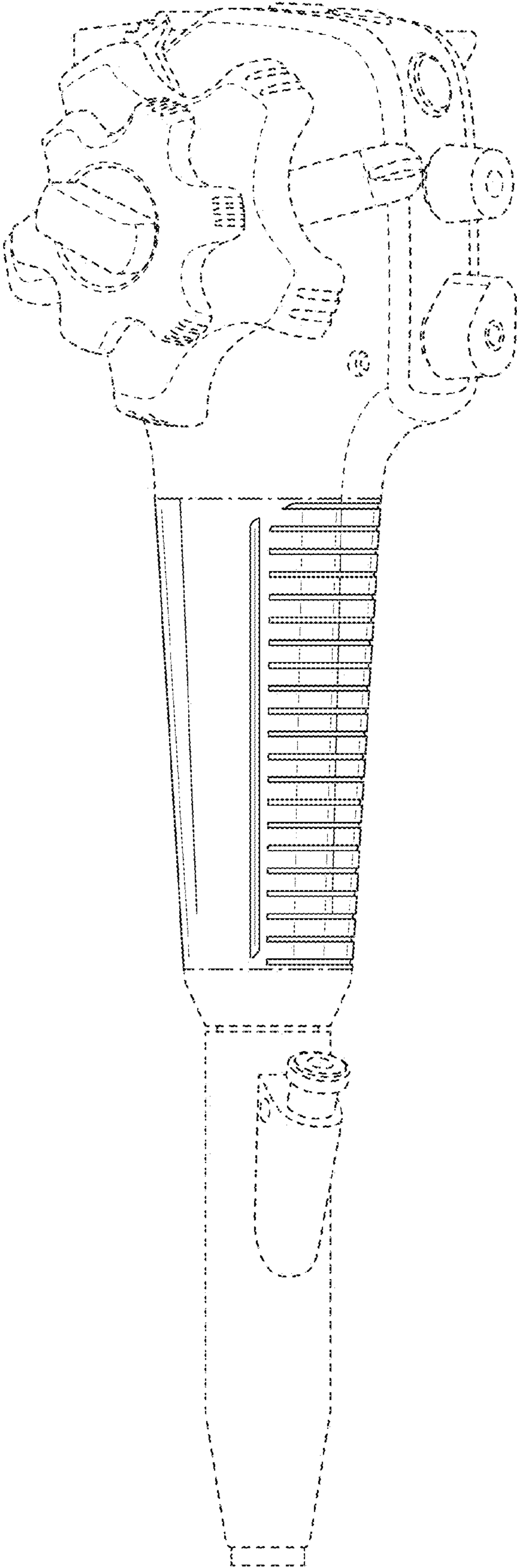


FIG. 1

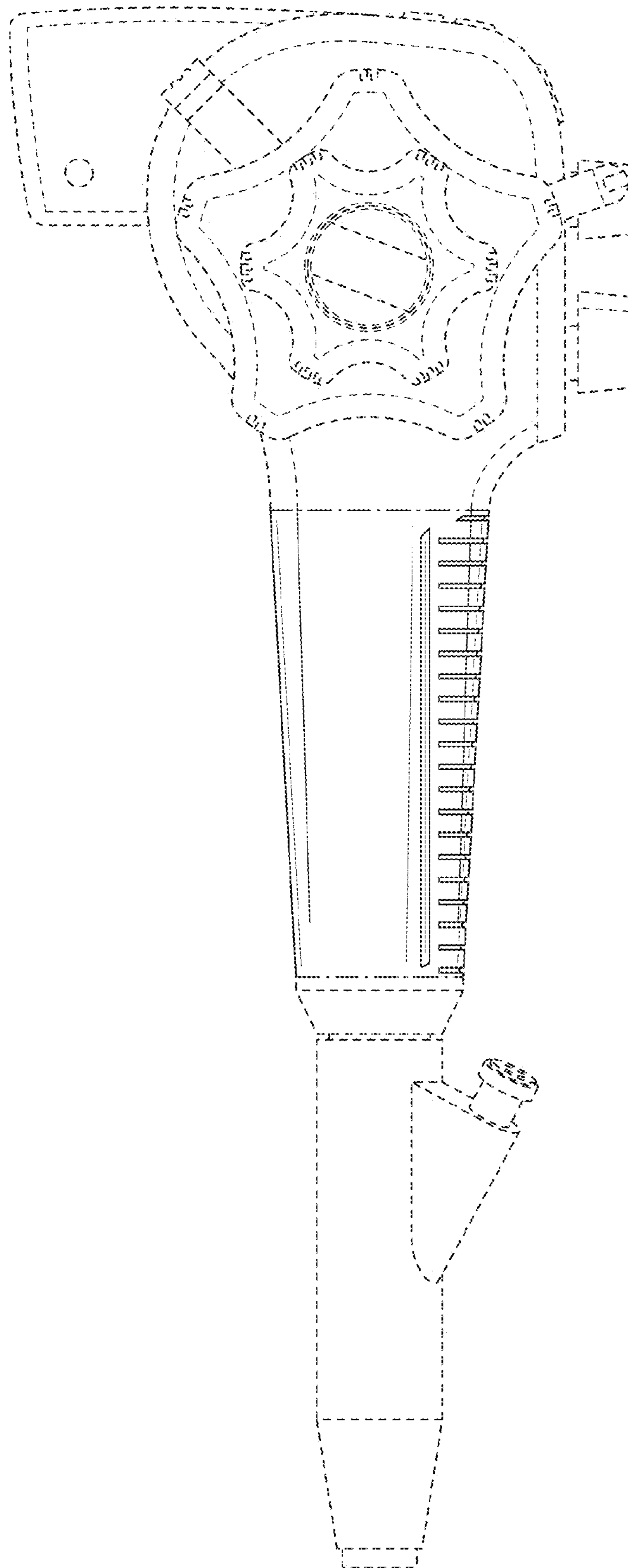


FIG. 2

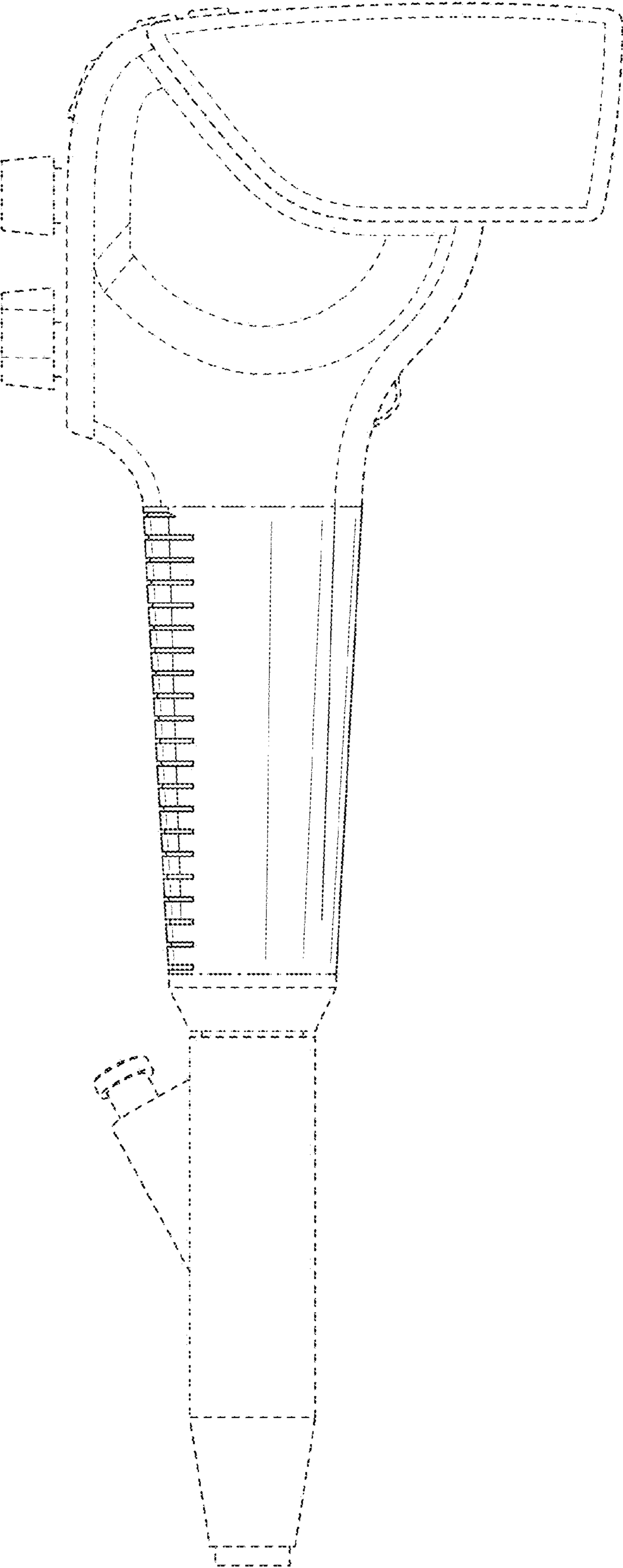


FIG. 3

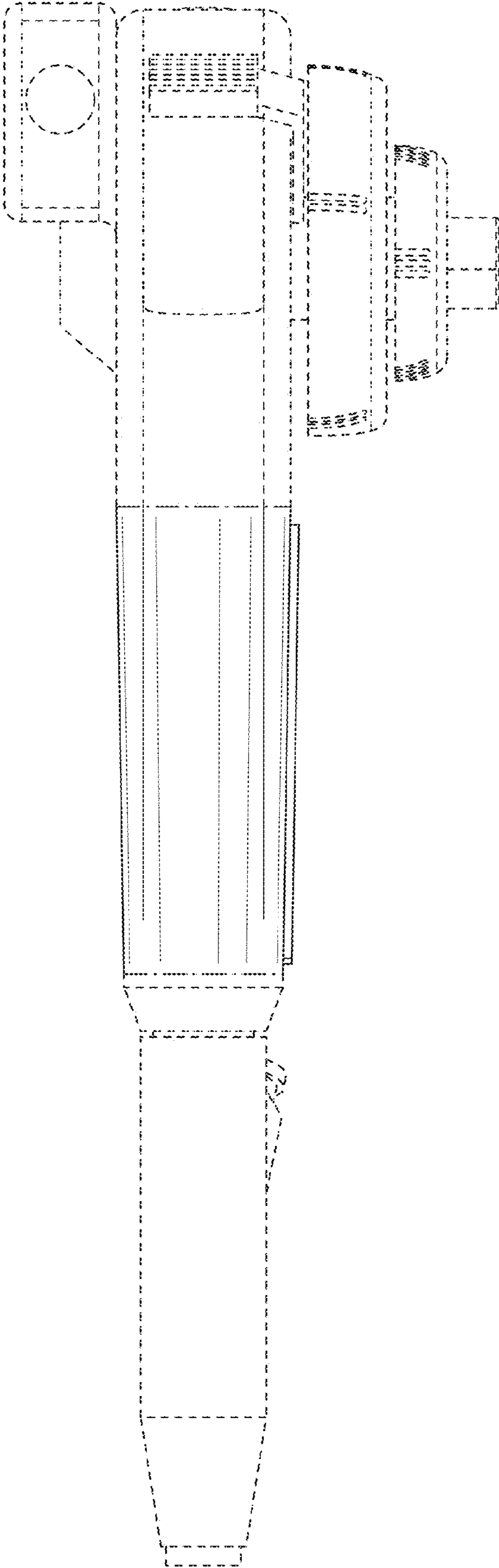


FIG. 4

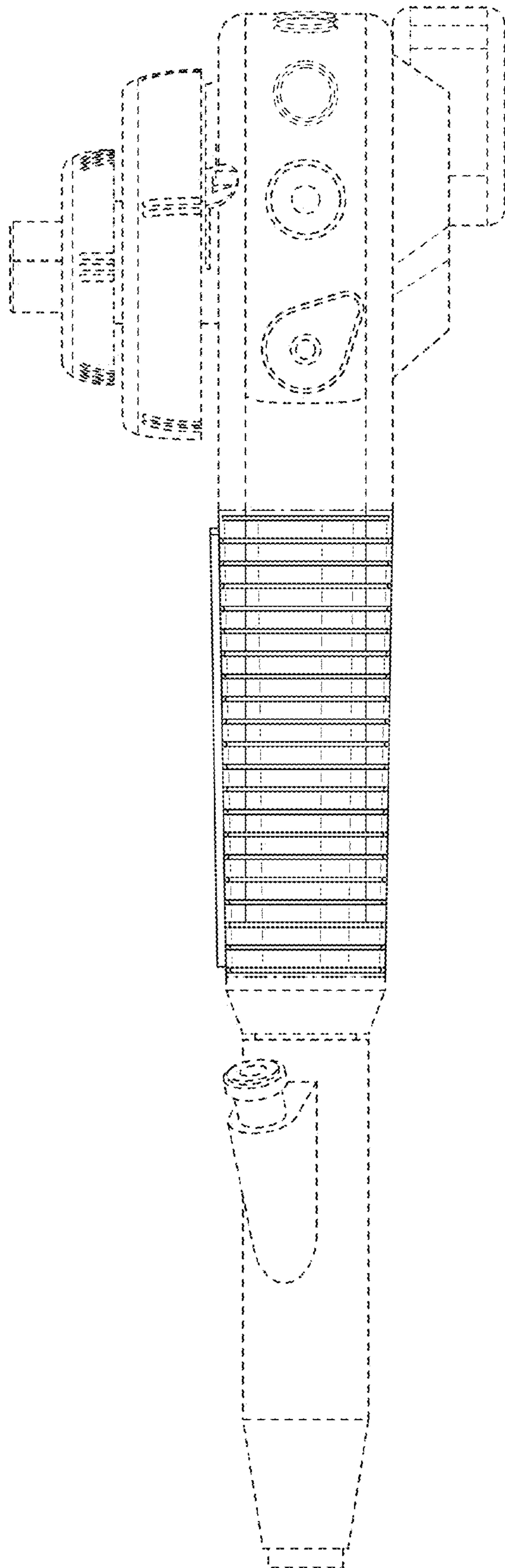


FIG. 5

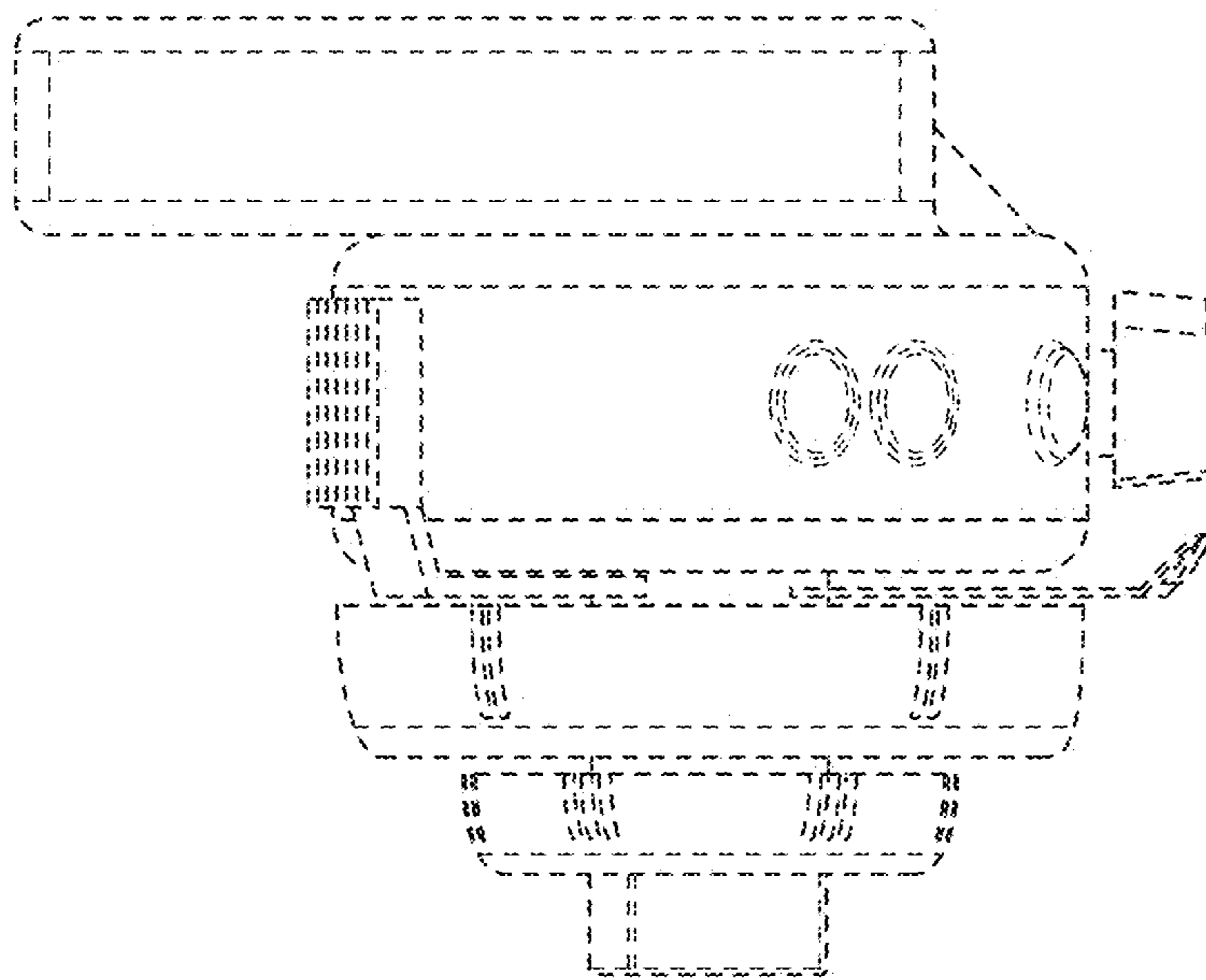


FIG. 6

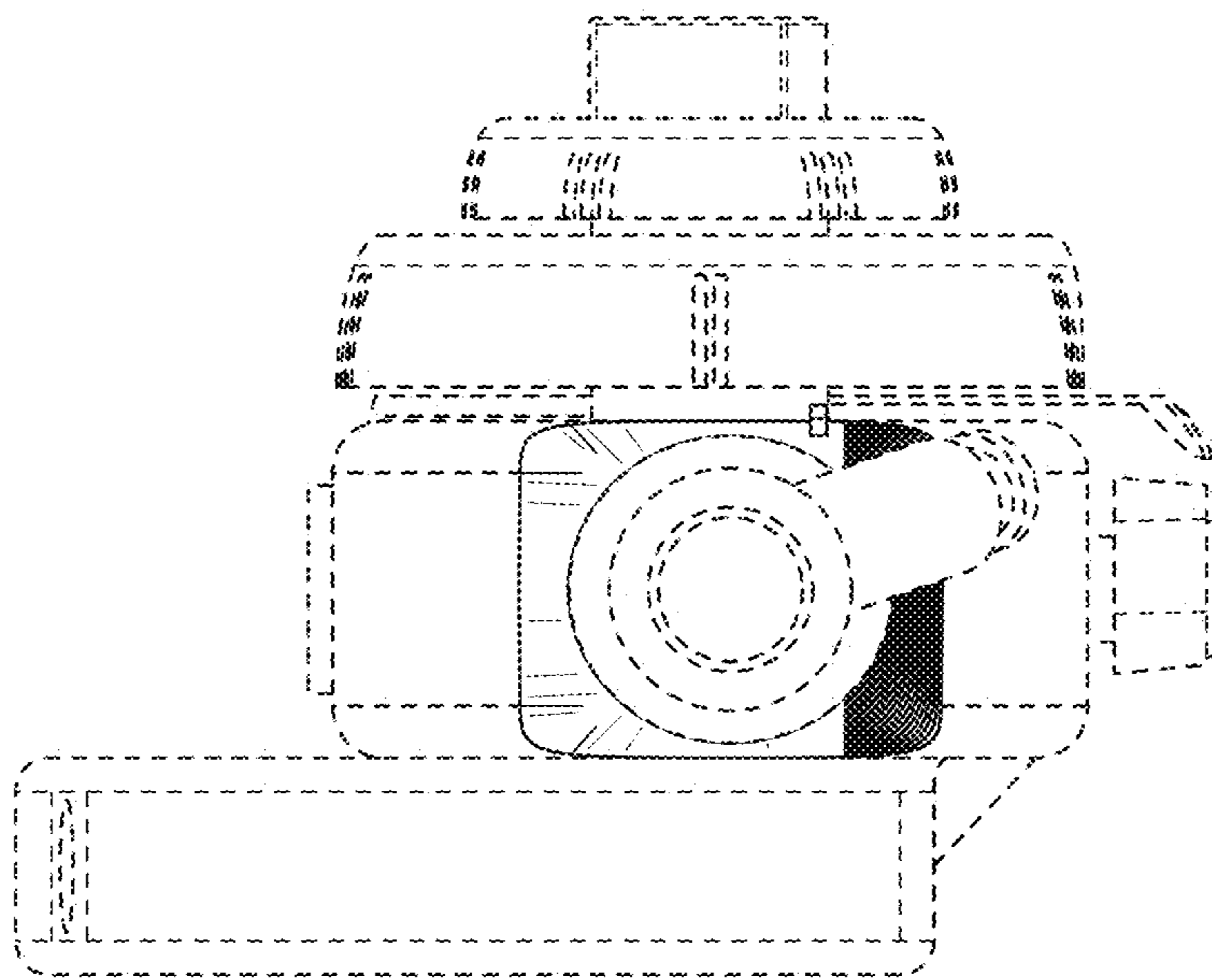


FIG. 7