



US00D945611S

(12) **United States Design Patent**
Ogino et al.

(10) **Patent No.:** **US D945,611 S**
(45) **Date of Patent:** **** Mar. 8, 2022**

- (54) **DERMATOSCOPE**
- (71) Applicant: **CASIO KEISANKI KABUSHIKI KAISHA**, Tokyo (JP)
- (72) Inventors: **Masaki Ogino**, Tokyo (JP); **Hirotsugu Yamamoto**, Tokyo (JP); **Kyohei Ishii**, Tokyo (JP)
- (73) Assignee: **CASIO KEISANKI KABUSHIKI KAISHA**, Tokyo (JP)
- (**) Term: **15 Years**
- (21) Appl. No.: **29/743,221**
- (22) Filed: **Jul. 20, 2020**
- (30) **Foreign Application Priority Data**

Feb. 3, 2020 (JP) 2020-001927 D

- (51) **LOC (13) Cl.** **24-02**
- (52) **U.S. Cl.**
USPC **D24/137**; D24/133
- (58) **Field of Classification Search**
USPC D24/133, 137, 200, 211, 212, 213, 214,
D24/215, 150, 151, 157, 158; D16/130,
D16/208, 237; D4/102
CPC A61H 1/00; A61H 2015/0007; A61H
2015/0014; A61H 2015/0042; A61H
15/00; A61H 11/00; A61H 21/00; A61H
37/00
See application file for complete search history.

(56) **References Cited**
U.S. PATENT DOCUMENTS

D321,056 S	*	10/1991	Chambers	D24/211
D322,676 S	*	12/1991	Chambers	D24/206
D323,034 S	*	1/1992	Reinstein	D24/200
D331,288 S	*	11/1992	Yuen	D24/200

D333,351 S	*	2/1993	Tsou	D24/206
D334,430 S	*	3/1993	Tsou	D24/214
D342,539 S	*	12/1993	Miyahara	D16/202
D355,259 S	*	2/1995	Lie	D24/215
D368,343 S	*	3/1996	Gebhard	D24/215
D396,240 S	*	7/1998	Hasegawa	D16/134
D401,603 S	*	11/1998	Hasegawa	D16/202
D403,075 S	*	12/1998	Lie	D24/214
D414,582 S	*	9/1999	Hwang	D28/9
D418,853 S	*	1/2000	Kubota	D16/202
D421,128 S	*	2/2000	Fields	D24/214
D421,305 S	*	2/2000	Brilliant	D24/176
D422,082 S	*	3/2000	Kimball	D24/151
D423,491 S	*	4/2000	Harris	D14/130
D429,269 S	*	8/2000	Renkis	D16/202
D429,743 S	*	8/2000	Renkis	D16/202
D448,852 S	*	10/2001	Engelen	D24/215
D452,871 S	*	1/2002	Nappa	D16/135
D491,968 S	*	6/2004	Isshiki	D16/203
D493,621 S	*	8/2004	Wilson	D4/116
D496,355 S	*	9/2004	Harshbarger	D14/248
D500,854 S	*	1/2005	Eichel	D24/133

(Continued)

Primary Examiner — T Chase Nelson
Assistant Examiner — Kelly L Gross
(74) *Attorney, Agent, or Firm* — Holtz, Holtz & Volek PC

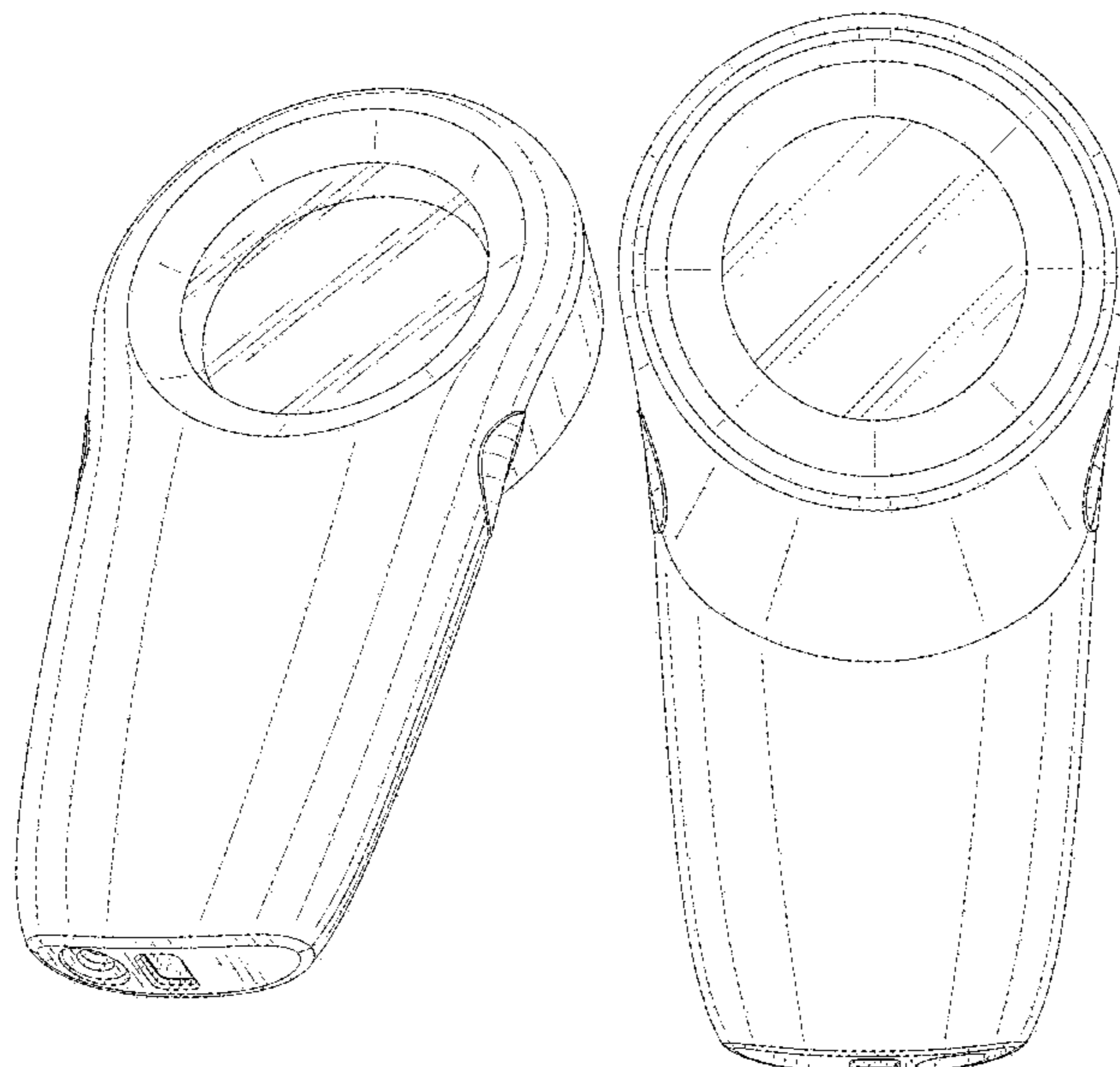
(57) **CLAIM**

The ornamental design for a dermatoscope, as shown and described.

DESCRIPTION

FIG. 1 is a front, right side, bottom perspective view of a dermatoscope showing our new design;
FIG. 2 is a front elevational view thereof;
FIG. 3 is a rear elevational view thereof;
FIG. 4 is a left side view thereof;
FIG. 5 is a right side view thereof;
FIG. 6 is a top plan view thereof;
FIG. 7 is a bottom plan view thereof; and,
FIG. 8 is a rear, left side, bottom perspective view thereof.

1 Claim, 7 Drawing Sheets



(56)

References Cited

U.S. PATENT DOCUMENTS

D509,840	S	*	9/2005	Lewis	D16/135	D756,528	S	*	5/2016	Grant	D24/214
D526,340	S	*	8/2006	Hodgson	D16/135	D757,953	S	*	5/2016	Philips	D24/200
D533,943	S	*	12/2006	Chen	D24/146	D759,256	S	*	6/2016	Chen	D24/200
D535,397	S	*	1/2007	Chen	D24/146	D759,831	S	*	6/2016	Levi	D24/200
D542,820	S	*	5/2007	Depay	D16/202	D760,498	S	*	7/2016	Kim	D4/102
D544,092	S	*	6/2007	Lewis	D24/108	D767,897	S	*	10/2016	Hosler	D4/102
D556,231	S	*	11/2007	Kato	D16/202	D773,823	S	*	12/2016	Wong	D4/102
D561,217	S	*	2/2008	Young	D16/135	D774,193	S	*	12/2016	Makmel	D24/152
D561,343	S	*	2/2008	Liang	D24/215	D780,737	S	*	3/2017	Yoshida	D14/248
D564,006	S	*	3/2008	Stephens	D16/208	D784,703	S	*	4/2017	Grabes	D4/102
D564,559	S	*	3/2008	Stephens	D16/208	D785,065	S	*	4/2017	Huang	D16/135
D568,352	S	*	5/2008	Krause	D16/135	D786,328	S	*	5/2017	Schuss	D16/135
D568,354	S	*	5/2008	Krause	D16/135	D787,083	S	*	5/2017	Ely	D24/209
D568,473	S	*	5/2008	Ashiwa	D24/133	D787,684	S	*	5/2017	Vežina	D24/187
D569,987	S	*	5/2008	Oberreiter	D24/210	D791,960	S	*	7/2017	Guanying	D24/209
D570,395	S	*	6/2008	Kanno	D16/239	D794,784	S	*	8/2017	Bradley	D24/133
D574,867	S	*	8/2008	Lewis	D16/135	D794,854	S	*	8/2017	Zepter	D26/38
D578,909	S	*	10/2008	Chung	D10/70	D795,423	S	*	8/2017	Chen	D24/133
D579,962	S	*	11/2008	Tillack	D16/135	D797,302	S	*	9/2017	Vahlensieck	D24/209
D586,833	S	*	2/2009	Huang	D16/135	D798,443	S	*	9/2017	Matthison-Hansen	D24/128
D589,154	S	*	3/2009	Oberreiter	D24/210	D800,005	S	*	10/2017	Wong	D10/118.2
D596,164	S	*	7/2009	Henning	D14/223	D802,128	S	*	11/2017	Im	D24/137
D596,295	S	*	7/2009	Hedstrom	D24/174	D802,305	S	*	11/2017	Grabes	D4/102
D596,748	S	*	7/2009	Oberreiter	D24/210	D805,076	S	*	12/2017	Hong	D14/388
D601,803	S	*	10/2009	Reishus	D4/102	D805,781	S	*	12/2017	Szymanski	D4/102
D605,821	S	*	12/2009	Shaanan	D32/35	D812,220	S	*	3/2018	Bainton	D24/113
D609,361	S	*	2/2010	McGarry	D24/209	D816,344	S	*	5/2018	Tai	D4/100
D612,510	S	*	3/2010	Byle	D24/210	D819,221	S	*	5/2018	Lei	D24/200
D612,612	S	*	3/2010	Harris	D4/102	D820,263	S	*	6/2018	Rebello	D14/426
D621,950	S	*	8/2010	Seki	D24/209	D821,759	S	*	7/2018	Szymanski	D4/138
D622,698	S	*	8/2010	McGarry	D14/209	D822,841	S	*	7/2018	Cheng	D24/206
D622,751	S	*	8/2010	Oikawa	D16/225	D822,843	S	*	7/2018	Lenke	D24/215
D623,740	S	*	9/2010	Harris	D24/133	D824,528	S	*	7/2018	Yang	D24/209
D627,815	S	*	11/2010	Oba	D16/202	D825,073	S	*	8/2018	Lenke	D24/215
D628,989	S	*	12/2010	Lee	D14/223	D828,925	S	*	9/2018	Levi	D24/214
D629,118	S	*	12/2010	Yeo	D24/214	D829,333	S	*	9/2018	Shin	D24/209
D637,221	S	*	5/2011	Levine	D16/135	D829,921	S	*	10/2018	Xiong	D24/214
D637,309	S	*	5/2011	Park	D24/215	D835,845	S	*	12/2018	Graves	D28/51
D643,056	S	*	8/2011	Zaliauskas	D16/203	D836,593	S	*	12/2018	Hu	D14/155
D646,396	S	*	10/2011	Seki	D24/209	D838,273	S	*	1/2019	Memke	D14/426
D646,487	S	*	10/2011	Leppla	D4/102	D838,860	S	*	1/2019	Lee	D24/214
D649,995	S	*	12/2011	Farenski	D16/135	D839,601	S	*	2/2019	Fang	D4/102
D652,523	S	*	1/2012	Bradley	D24/209	D840,546	S	*	2/2019	Xiangmei	D24/209
D653,761	S	*	2/2012	Lytle	D24/209	D843,430	S	*	3/2019	Hodgson	D16/135
D656,172	S	*	3/2012	Stubel	D16/135	D847,245	S	*	4/2019	Siminou	D16/132
D656,620	S	*	3/2012	Altshuler	D24/209	D847,360	S	*	4/2019	Levi	D24/214
D659,840	S	*	5/2012	Cheng	D24/186	D848,677	S	*	5/2019	Thalmann	D28/58
D659,845	S	*	5/2012	Lytle	D24/209	D849,257	S	*	5/2019	Fukuda	D24/200
D660,448	S	*	5/2012	Lum	D24/209	D850,626	S	*	6/2019	Gardner	D24/186
D663,340	S	*	7/2012	Farenski	D16/135	D851,248	S	*	6/2019	Winkler	D24/138
D675,829	S	*	2/2013	Jakubow	D4/102	D855,194	S	*	7/2019	Kymm	D24/209
D679,502	S	*	4/2013	Itano	D4/102	D855,195	S	*	7/2019	Kymm	D24/209
D683,139	S	*	5/2013	Chikos	D4/102	D855,196	S	*	7/2019	Kymm	D24/209
D690,819	S	*	10/2013	Svensson	D24/174	D855,818	S	*	8/2019	Kymm	D24/209
D691,728	S	*	10/2013	Svensson	D24/174	D857,911	S	*	8/2019	Huang	D24/215
D695,903	S	*	12/2013	Tamsiran	D24/209	D862,717	S	*	10/2019	Khubani	D24/200
D697,119	S	*	1/2014	Park	D16/203	D862,721	S	*	10/2019	Friend	D24/214
D699,378	S	*	2/2014	DiLuciano	D26/37	D863,572	S	*	10/2019	Thomas	D24/200
D709,191	S	*	7/2014	Wood	D24/137	D863,574	S	*	10/2019	Yan	D24/200
D709,889	S	*	7/2014	Shen	D14/423	D864,577	S	*	10/2019	Keast	D4/102
D713,150	S	*	9/2014	Maurin	D4/102	D865,209	S	*	10/2019	Nichols	D24/214
D722,584	S	*	2/2015	Chen	D14/155	D865,990	S	*	11/2019	Ko	D24/215
D728,241	S	*	5/2015	Helmbold	D4/102	D866,189	S	*	11/2019	Baxter	D4/102
D728,242	S	*	5/2015	Kim	D4/102	D868,276	S	*	11/2019	Lee	D24/209
D733,290	S	*	6/2015	Burton	A61M 37/0015	D868,990	S	*	12/2019	Tse	D24/215
						D24/119	D870,304	S	*	12/2019	Du	D24/214
D734,479	S	*	7/2015	Youngquist	D24/209	D870,305	S	*	12/2019	Yamazaki	D24/214
D735,958	S	*	8/2015	Koptis	D32/14.1	D871,486	S	*	12/2019	Cohen	D16/218
D736,462	S	*	8/2015	Hendler	D28/9	D873,569	S	*	1/2020	Nichols	D4/102
D736,918	S	*	8/2015	Liu	D24/137	D874,671	S	*	2/2020	Segev	D24/214
D738,516	S	*	9/2015	Karim	D24/200	D874,672	S	*	2/2020	Segev	D24/214
D741,601	S	*	10/2015	Helmbold	D4/102	D875,267	S	*	2/2020	Zeng	D24/214
D742,003	S	*	10/2015	Tasar	D24/146	D880,710	S	*	4/2020	Amoyal	D24/209
D742,647	S	*	11/2015	Hosler	D4/102	D883,675	S	*	5/2020	Wong	D4/102
D749,325	S	*	2/2016	Middendorp	D4/102	D884,703	S	*	5/2020	Silver	D14/426
							D887,018	S	*	6/2020	Yongjoonchoe	D24/200
							D887,544	S	*	6/2020	Inoue	D24/107
							D891,785	S	*	8/2020	Luo	D4/102
							D892,322	S	*	8/2020	Yang	D24/133

(56)

References Cited

U.S. PATENT DOCUMENTS

D894,415 S *	8/2020	Blank	D24/214	D906,398 S *	12/2020	Wang	D16/203
D894,611 S *	9/2020	Wong	D4/102	D906,530 S *	12/2020	Liu	D24/214
D895,466 S *	9/2020	Yu	D10/118.2	D907,789 S *	1/2021	Shenfarber	D24/209
D896,674 S *	9/2020	Yu	D10/118.2	D908,232 S *	1/2021	Shenfarber	D24/209
D896,971 S *	9/2020	Held	D24/186	10,881,577 B2 *	1/2021	Hashimoto	B01F 13/002
D897,109 S *	9/2020	Blank	D4/102	D910,162 S *	2/2021	Inoue	D24/107
D897,110 S *	9/2020	Blank	D4/102	D910,720 S *	2/2021	Breuvart	D15/7
D897,542 S *	9/2020	Klock	D24/186	D910,735 S *	2/2021	Wexler	D16/218
D897,879 S *	10/2020	Yang	D10/118.2	D912,635 S *	3/2021	Birchler	D13/168
D898,802 S *	10/2020	Liu	D16/218	D913,353 S *	3/2021	Saafan	D16/135
D901,030 S *	11/2020	Yoon	D24/209	D913,483 S *	3/2021	Boschetti Sacco	D24/110
D901,031 S *	11/2020	Yoon	D24/209	D914,898 S *	3/2021	Britt	D24/200
D901,704 S *	11/2020	Huang	D24/214	D916,301 S *	4/2021	Yuval	D24/200
D901,705 S *	11/2020	Du	D24/214	D916,302 S *	4/2021	Yuval	D24/200
D902,381 S *	11/2020	Inoue	D24/107	D916,306 S *	4/2021	Du	D24/214
D902,382 S *	11/2020	Inoue	D24/107	D918,067 S *	5/2021	Li	D10/60
D902,426 S *	11/2020	Cornaro	D24/215	D919,299 S *	5/2021	Jin	D4/100
D902,927 S *	11/2020	Hu	D14/388	D920,680 S *	6/2021	Wang	D4/102
D903,737 S *	12/2020	Han	D16/203	D921,896 S *	6/2021	Fendrych	D24/146
D905,259 S *	12/2020	Wang	D24/206	D922,774 S *	6/2021	Tai	D4/100
					D926,603 S *	8/2021	Wang	D10/57
					D928,976 S *	8/2021	Dijkstra	D24/209
					D928,977 S *	8/2021	Dijkstra	D24/209

* cited by examiner

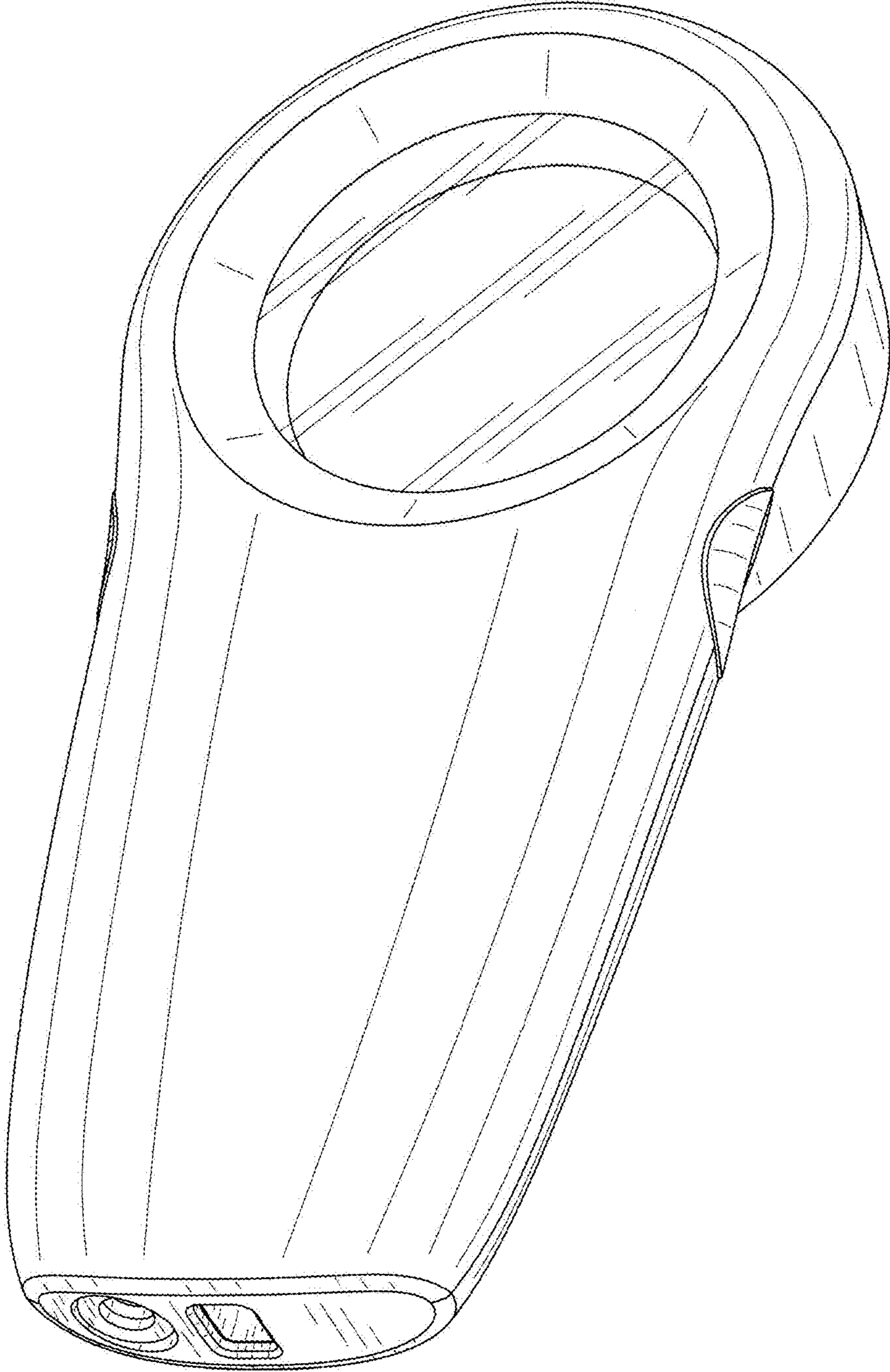


FIG. 1

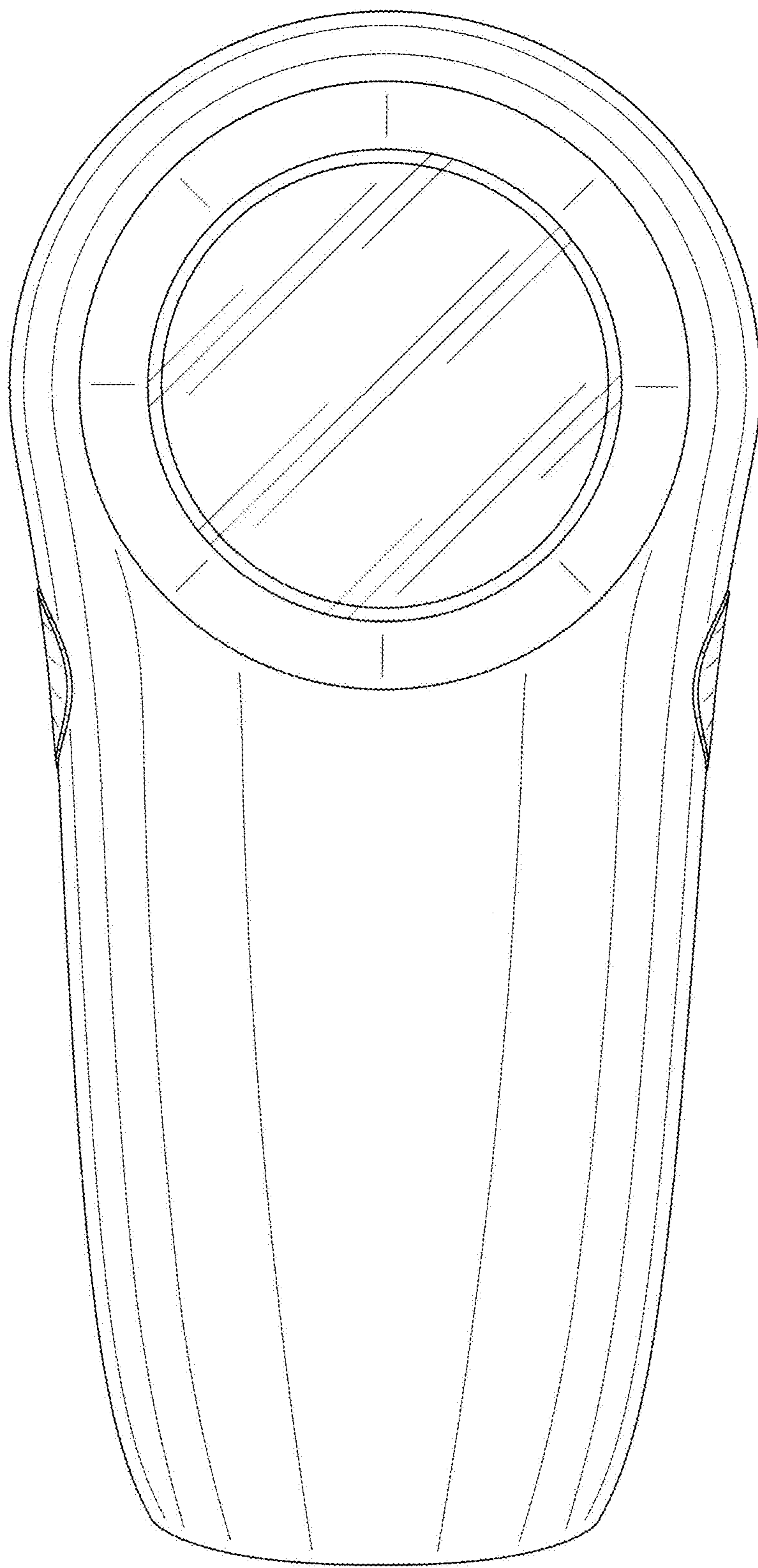


FIG. 2

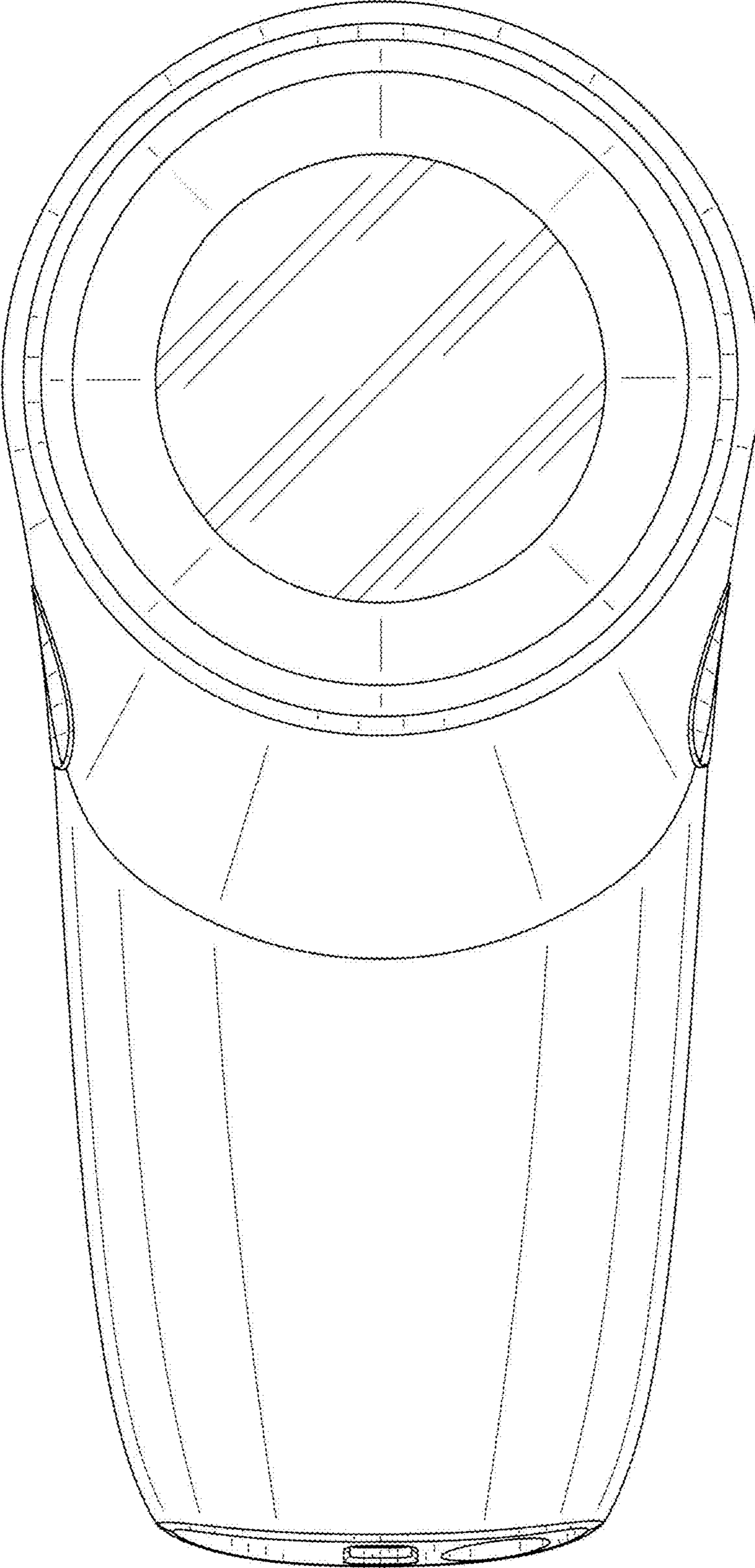


FIG. 3

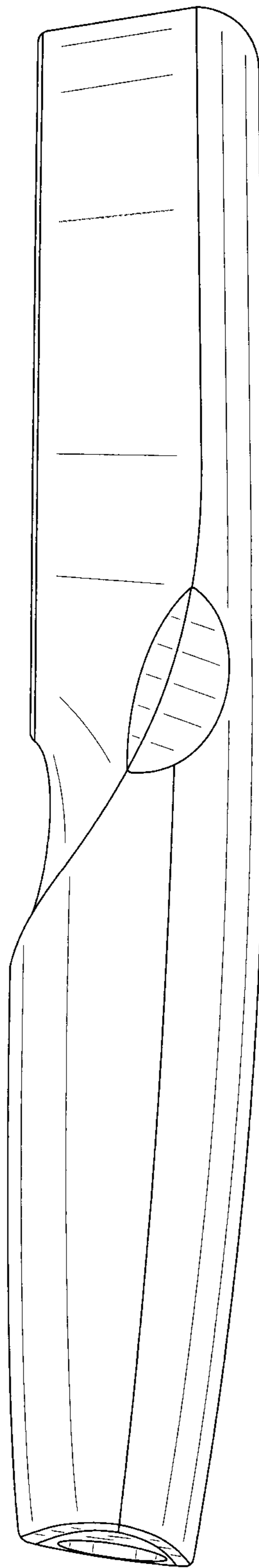


FIG. 4

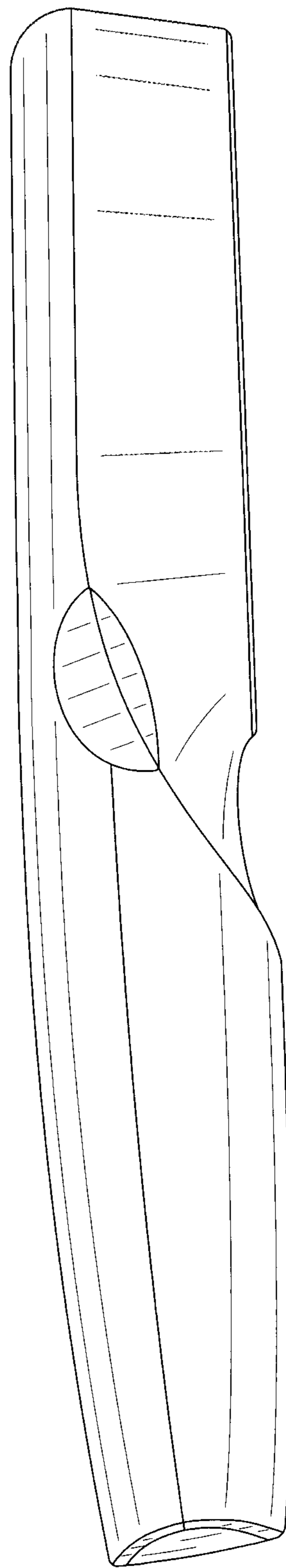


FIG. 5

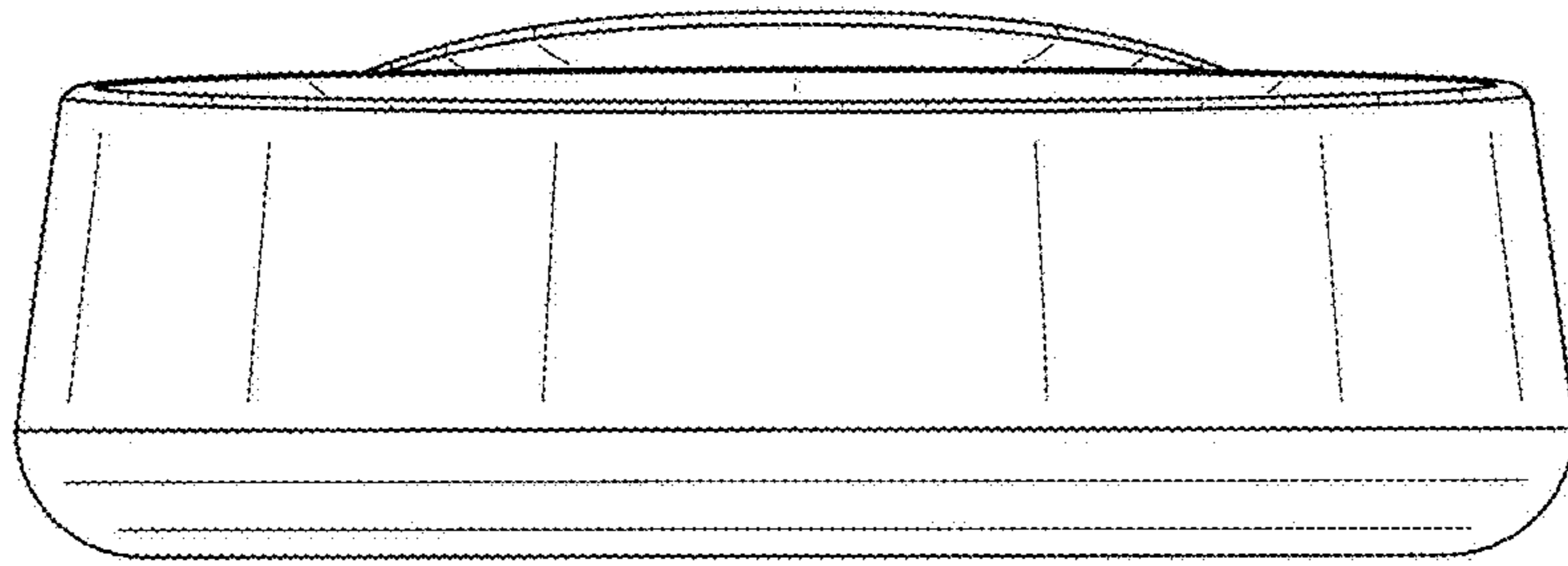


FIG. 6

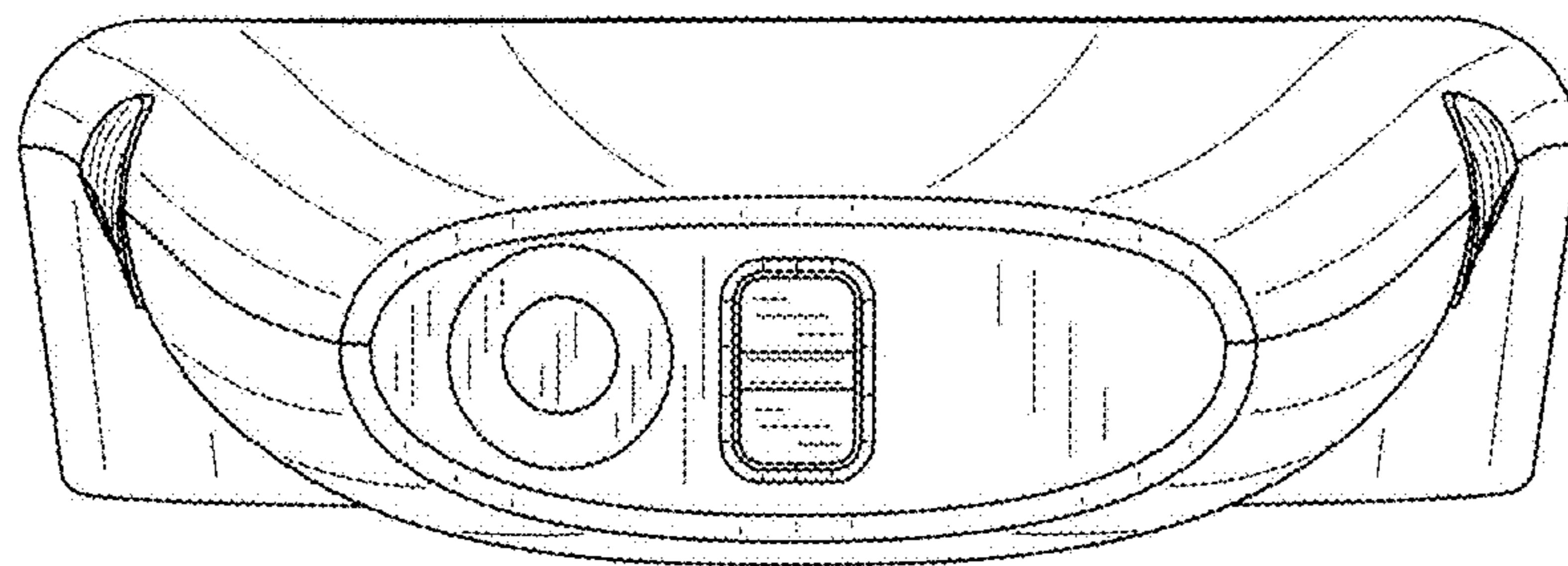


FIG. 7

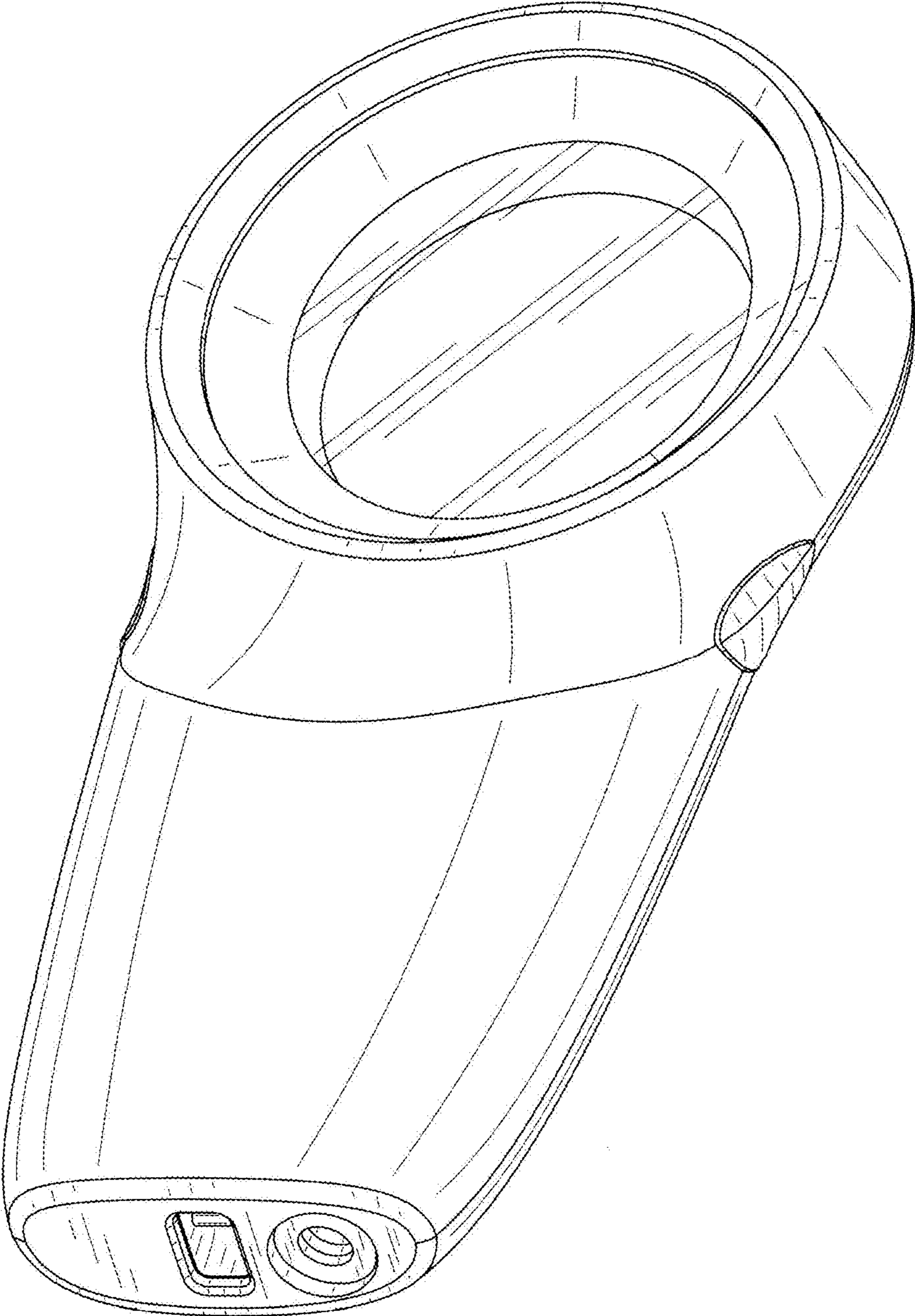


FIG. 8