



US00D945610S

(12) **United States Design Patent** (10) **Patent No.:** **US D945,610 S**
Wilson et al. (45) **Date of Patent:** **** Mar. 8, 2022**

(54) **SURGICAL RETRACTOR**

(56) **References Cited**

(71) Applicant: **Warsaw Orthopedic, Inc.**, Warsaw, IN (US)

U.S. PATENT DOCUMENTS

(72) Inventors: **Madeline G. Wilson**, Memphis, TN (US); **Mladen Djurasovic**, Louisville, KY (US); **Charles Hopkins Crawford, III**, Prospect, KY (US); **Jeffrey Lynn Gum**, Crestwood, KY (US); **Roger Kirk Owens, II**, Prospect, KY (US)

D369,860	S	*	5/1996	Koros	D24/133
D380,548	S	*	7/1997	Koros	D24/135
D395,510	S	*	6/1998	Furnish	D24/135
D396,285	S	*	7/1998	Koros	D24/135
D411,299	S	*	6/1999	Farascioni	D24/135
D612,494	S	*	3/2010	Ott	D24/135
D612,495	S	*	3/2010	Ott	D24/135
D658,286	S	*	4/2012	Ryshkus	D24/135
8,974,381	B1	*	3/2015	Lovell	A61B 90/30

(73) Assignee: **Warsaw Orthopedic, Inc.**, Warsaw, IN (US)

D884,169	S	*	5/2020	Hartson	D24/143
2009/0105547	A1	*	4/2009	Vayser	A61B 17/0206
						600/228
2020/0253594	A1	*	8/2020	Wilson	A61B 17/7074
2020/0253595	A1	*	8/2020	McBride, Jr.	A61B 90/50

(**) Term: **15 Years**

* cited by examiner

(21) Appl. No.: **29/782,252**

Primary Examiner — Bridget L Eland
(74) *Attorney, Agent, or Firm* — Sorell, Lenna & Schmidt, LLP

(22) Filed: **May 5, 2021**

Related U.S. Application Data

(57) **CLAIM**

(63) Continuation of application No. 16/272,640, filed on Feb. 11, 2019.

The ornamental design for a surgical retractor, as shown and described.

(51) **LOC (13) Cl.** **24-02**

DESCRIPTION

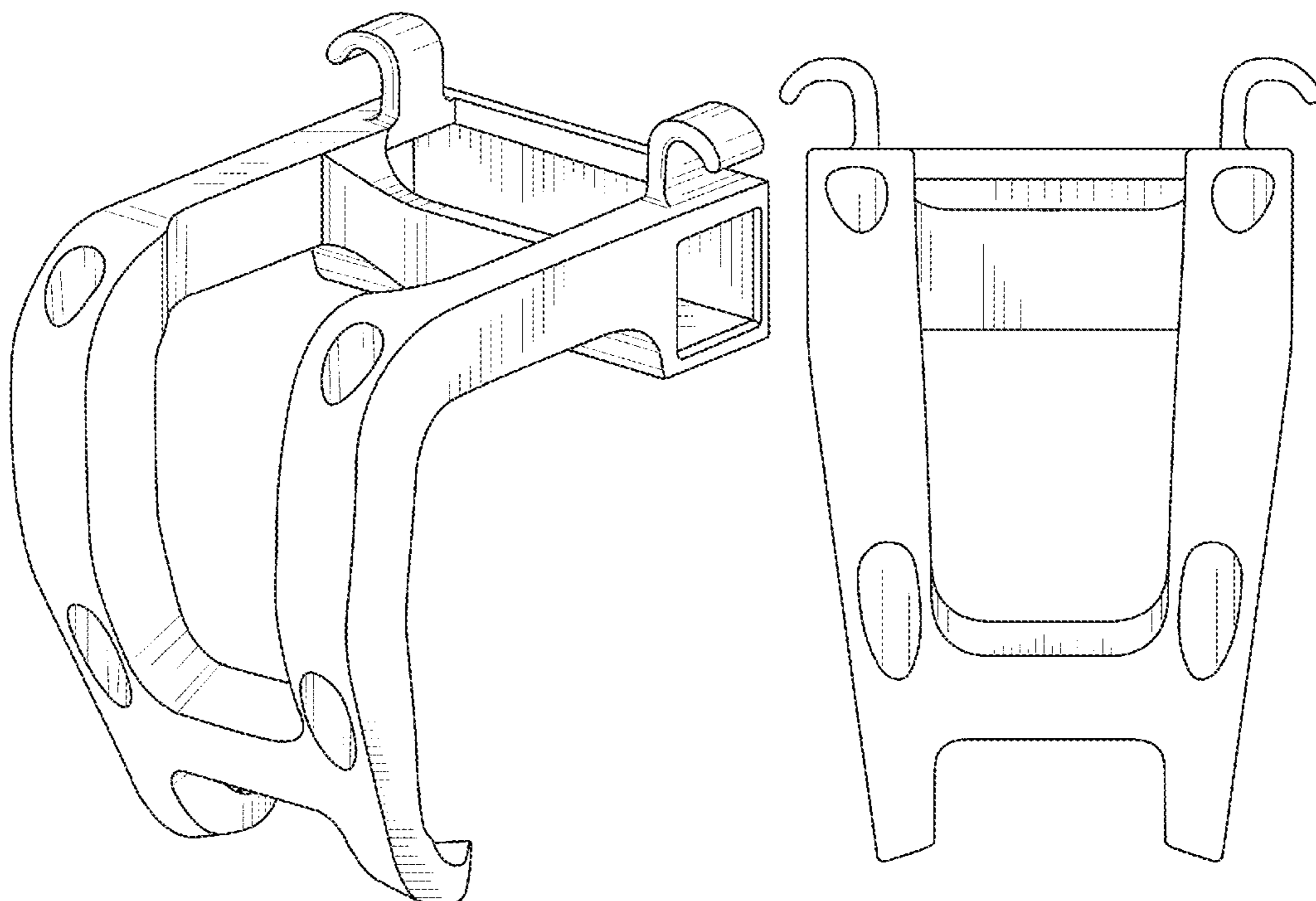
(52) **U.S. Cl.**
USPC **D24/135**

FIG. 1 is a perspective view of a surgical retractor; FIG. 2 is a front view of the surgical retractor; FIG. 3 is a side view of the surgical retractor; FIG. 4 is a back view of the surgical retractor; FIG. 5 is a side view of the surgical retractor; FIG. 6 is a top view of the surgical retractor; and, FIG. 7 is a bottom view of the surgical retractor.

(58) **Field of Classification Search**
USPC D24/135, 133
CPC A61B 17/0206; A61B 34/30; A61B 90/50; A61B 2017/00407; A61B 17/0218; A61B 2017/0256

See application file for complete search history.

1 Claim, 7 Drawing Sheets



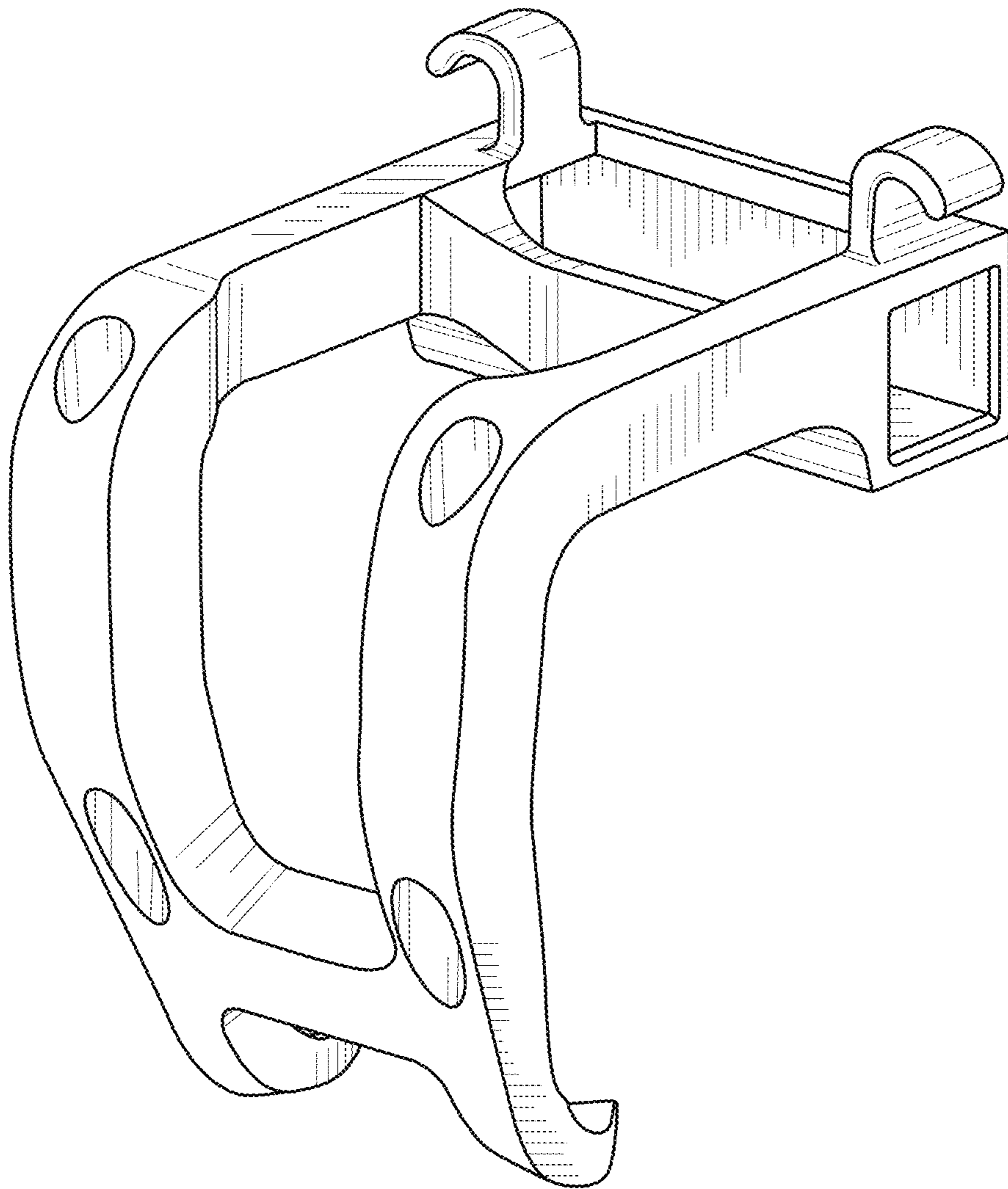


FIG. 1

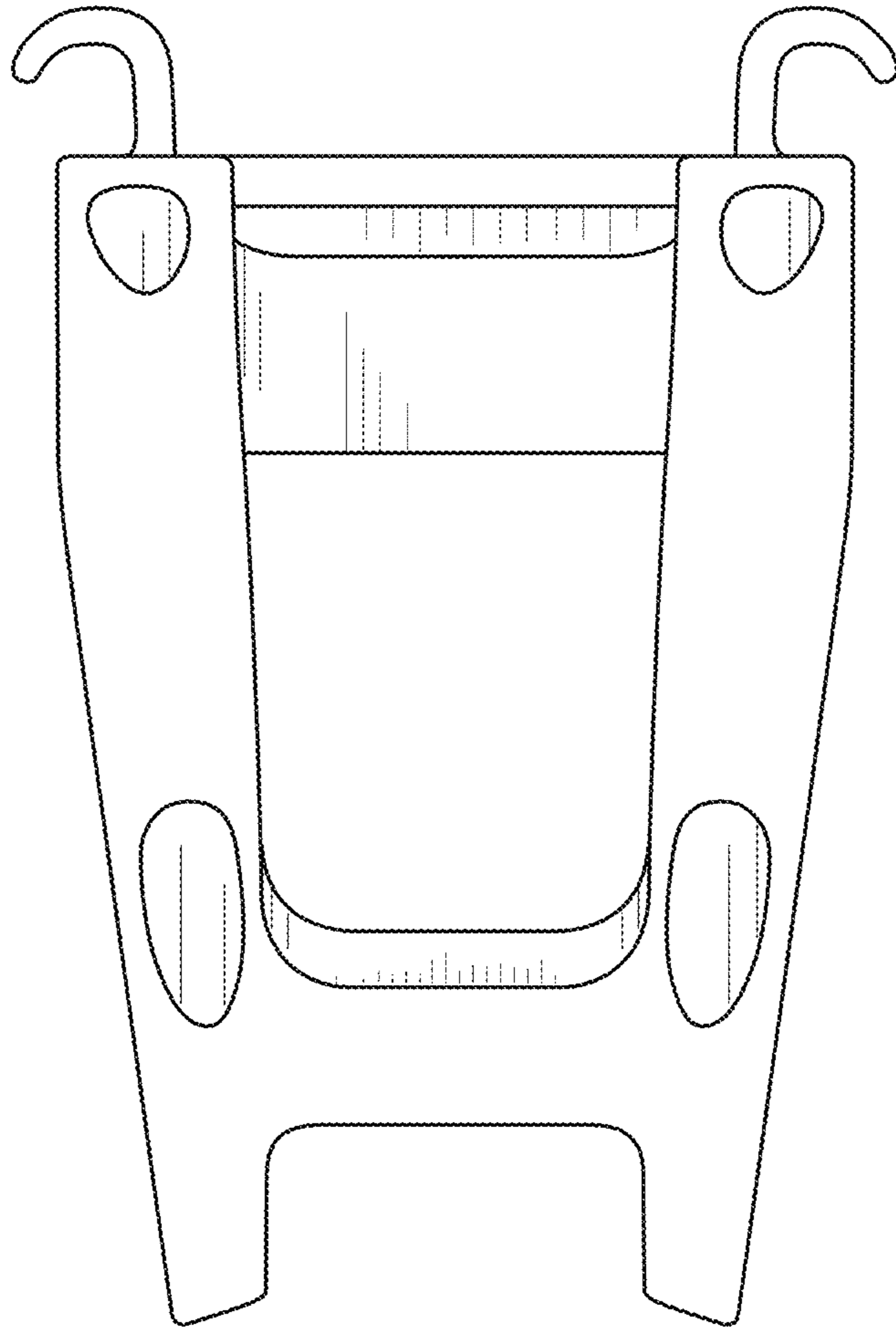


FIG. 2

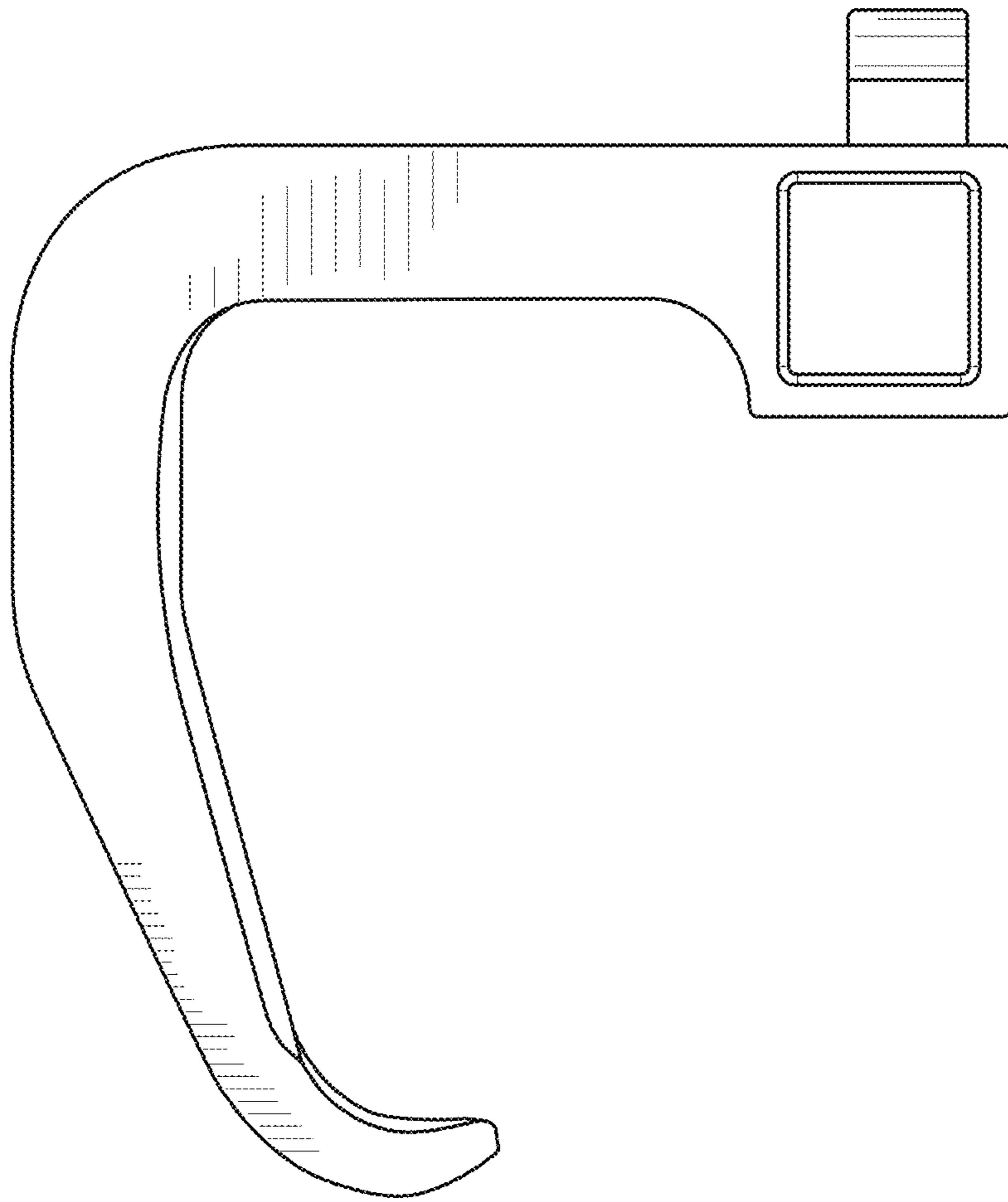


FIG. 3

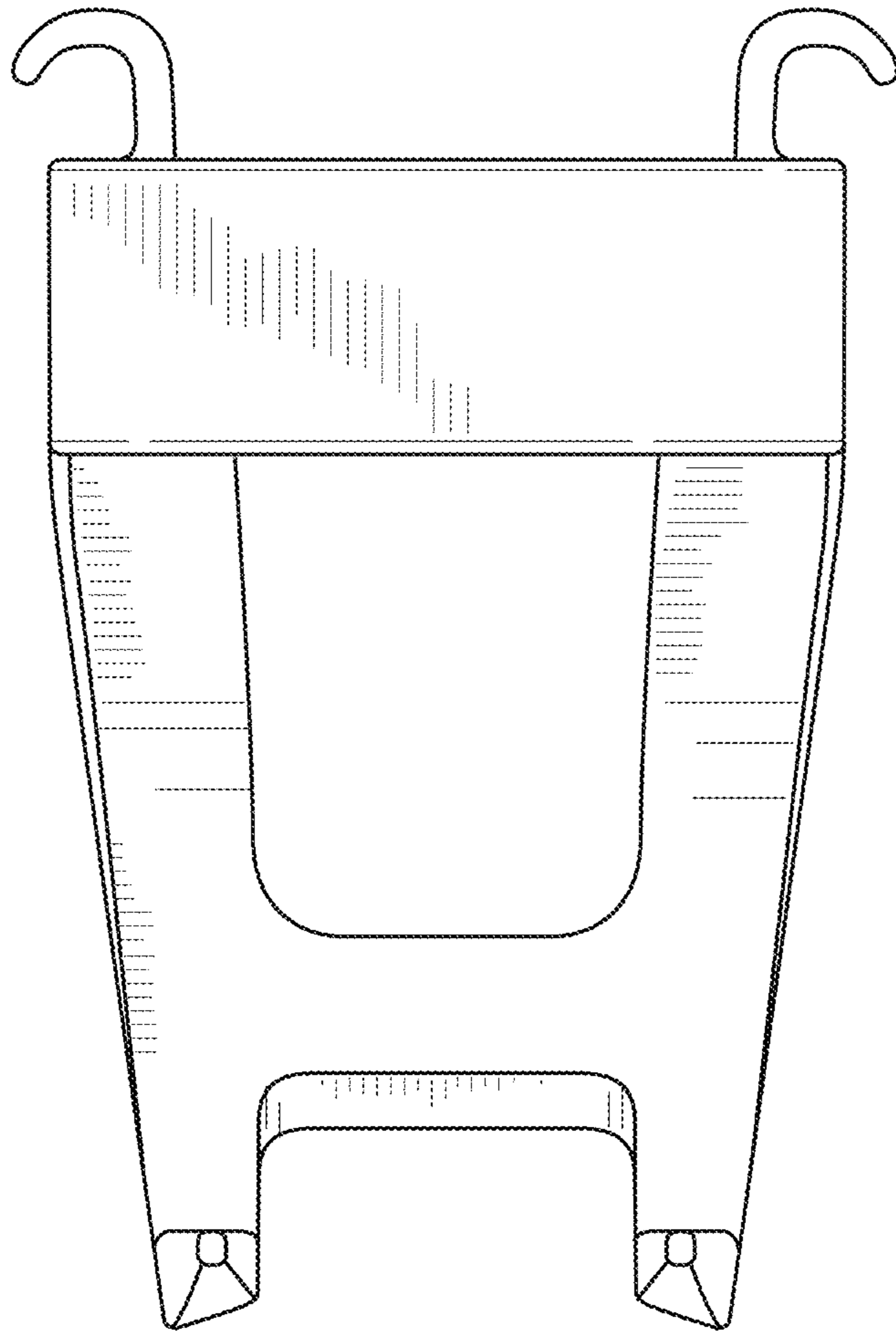


FIG. 4

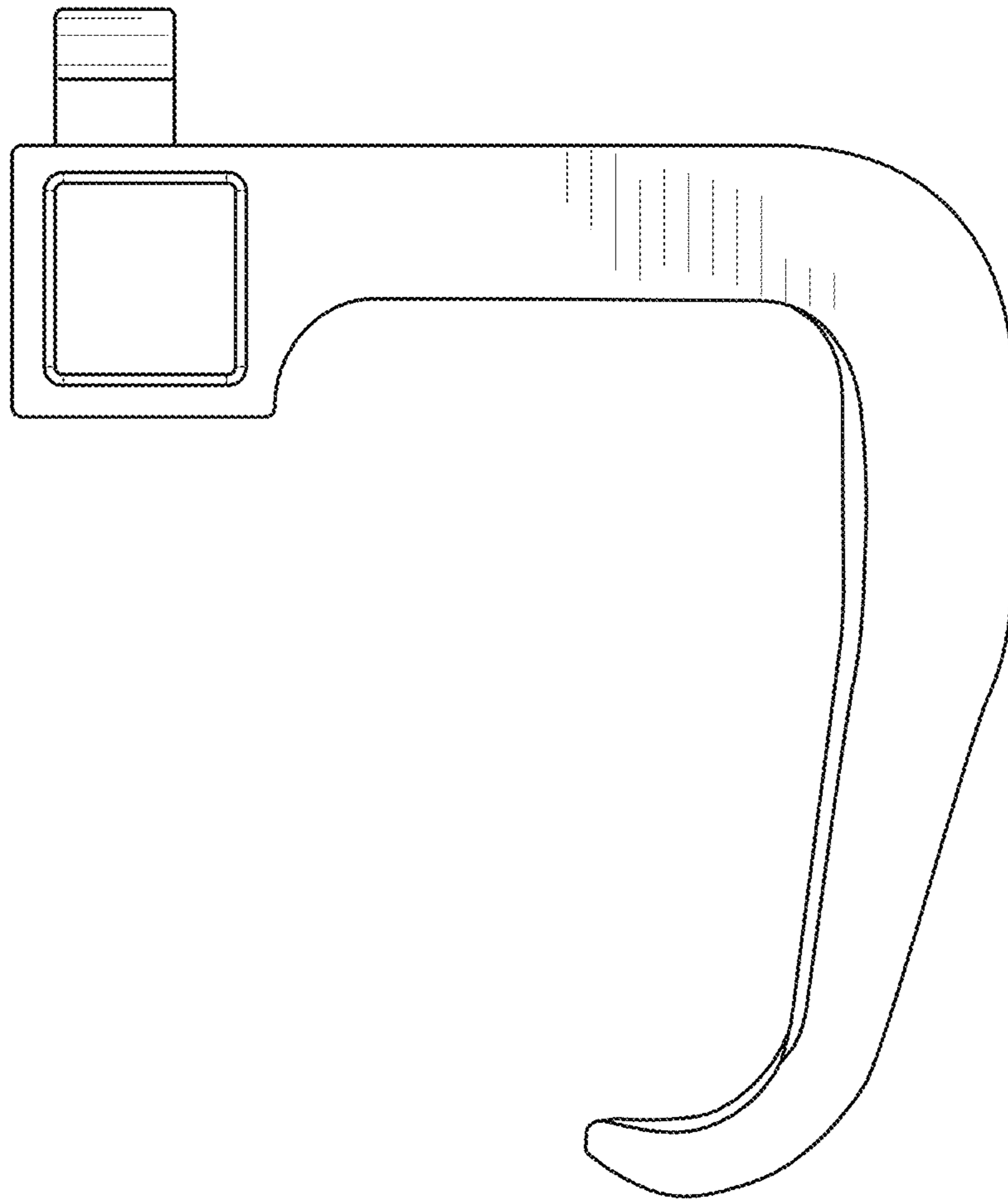


FIG. 5

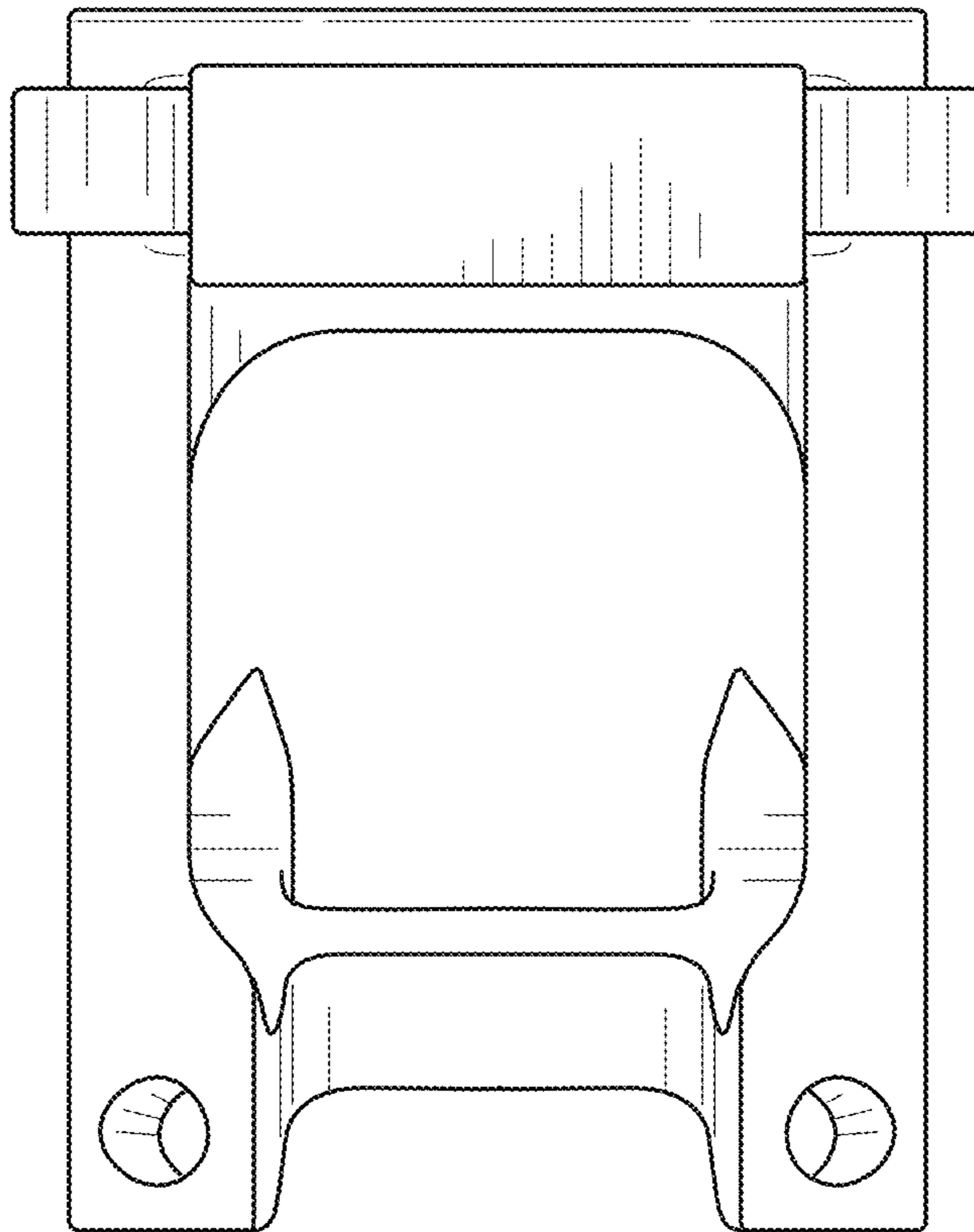


FIG. 6

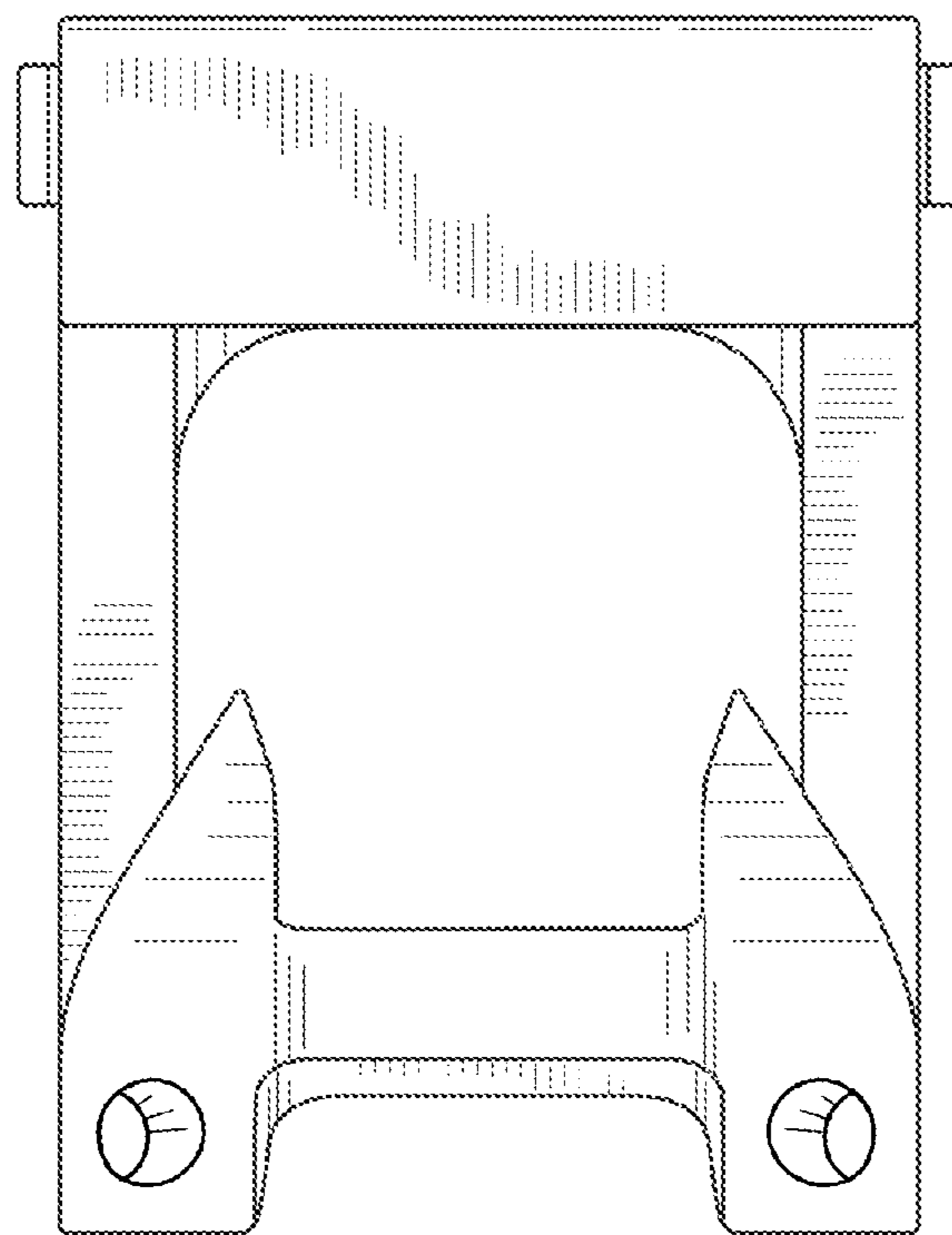


FIG. 7