



US00D945607S

(12) **United States Design Patent** (10) **Patent No.:** **US D945,607 S**  
**Pelaez et al.** (45) **Date of Patent:** **\*\* Mar. 8, 2022**

(54) **BOLUS BUTTON**  
(71) Applicant: **B. BRAUN MEDICAL INC.,**  
Bethlehem, PA (US)  
(72) Inventors: **Manuel Pelaez**, Castro Valley, CA  
(US); **Spencer Brown**, Cranston, RI  
(US); **Chris Wilson**, Oakland, CA (US)  
(73) Assignee: **B Braun Medical Inc.,** Bethlehem, PA  
(US)  
(\*\*) Term: **15 Years**  
(21) Appl. No.: **29/713,983**  
(22) Filed: **Nov. 20, 2019**  
(51) **LOC (13) Cl.** ..... **24-02**  
(52) **U.S. Cl.**  
USPC ..... **D24/129**  
(58) **Field of Classification Search**  
USPC ..... D9/434, 436, 454; D10/106.1, 118.2;  
D13/171, 174, 177; D19/100; D21/722,  
D21/812; D23/213, 250; D11/220;  
D24/127-131, 112-114, 133, 186, 118,  
D24/231  
CPC ..... A61M 5/16881; A61M 5/14248; A61M  
5/14586; A61M 5/148  
See application file for complete search history.

D860,848 S \* 9/2019 Park ..... D10/118.2  
D869,606 S \* 12/2019 Kyung ..... D23/213  
D871,483 S \* 12/2019 Chang ..... D16/203  
D879,640 S \* 3/2020 Jacob ..... D10/118.2  
D883,833 S \* 5/2020 Jacob ..... D10/118.2  
D883,834 S \* 5/2020 Jacob ..... D10/118.2  
D892,663 S \* 8/2020 Han ..... D10/118.2  
D894,774 S \* 9/2020 Yu ..... D10/118.2  
D894,775 S \* 9/2020 Yu ..... D10/118.2  
D897,879 S \* 10/2020 Yang ..... D10/118.2  
D900,658 S \* 11/2020 Yu ..... D10/118.2  
D902,063 S \* 11/2020 Han ..... D10/118.2  
D906,147 S \* 12/2020 Jacob ..... D10/118.2  
D906,148 S \* 12/2020 Jacob ..... D10/118.2  
D906,149 S \* 12/2020 Jacob ..... D10/118.2  
D906,151 S \* 12/2020 Jacob ..... D10/118.2  
D922,236 S \* 6/2021 Tan ..... D10/118.2

\* cited by examiner

Primary Examiner — Nathan M Johnston

(57) **CLAIM**

The ornamental design for a bolus button, as shown and described.

**DESCRIPTION**

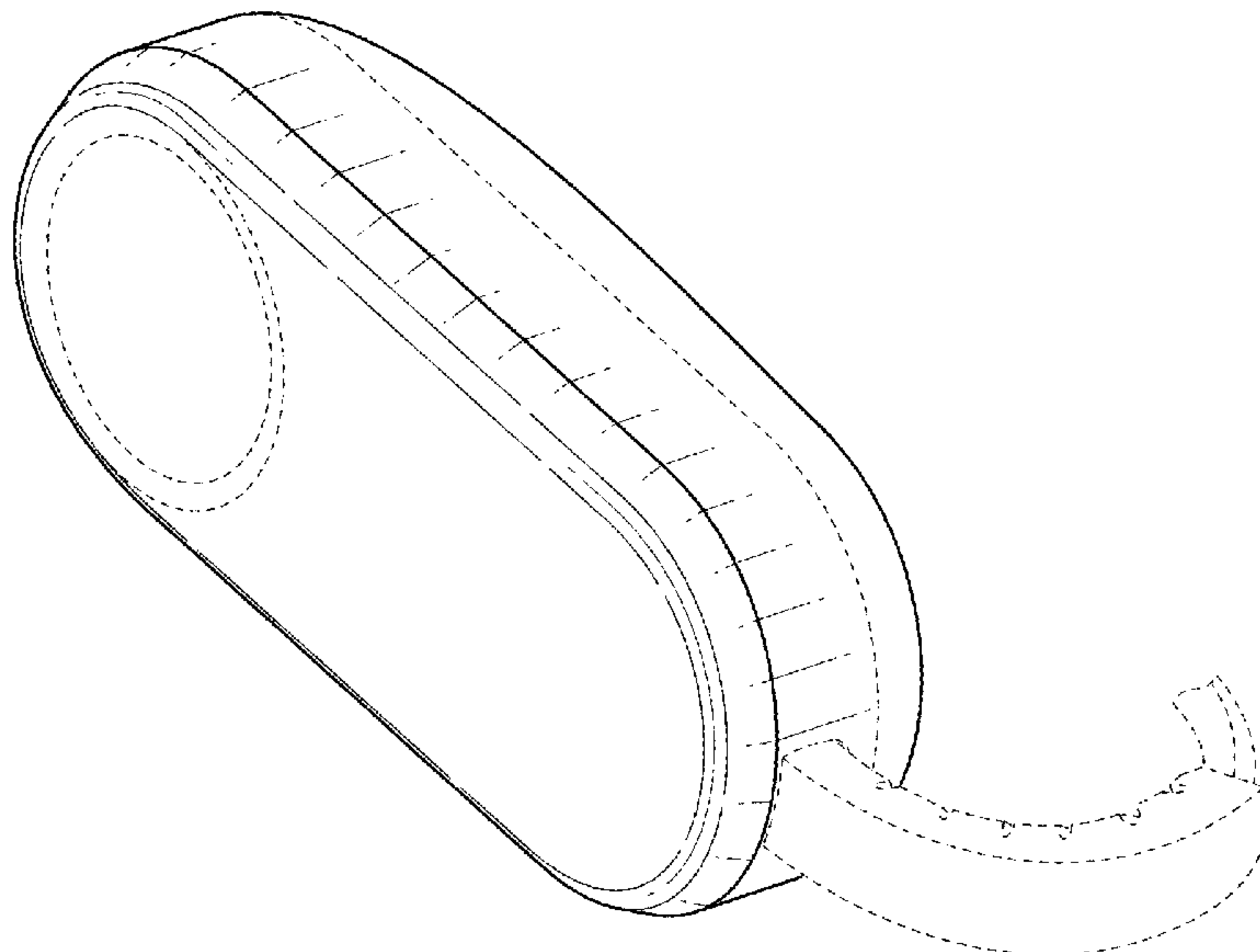
FIG. 1 is a perspective view showing the front, right side, and bottom of a bolus button in accordance with our new design;  
FIG. 2 is a right side elevation view of the bolus button of FIG. 1;  
FIG. 3 is a left side elevation view of the bolus button of FIG. 1;  
FIG. 4 is a front plan view of the bolus button of FIG. 1;  
FIG. 5 is a back plan view of the bolus button of FIG. 1;  
FIG. 6 is a top elevation view of the bolus button of FIG. 1; and,  
FIG. 7 is a bottom elevation view of the bolus button of FIG. 1.  
The broken lines show portions of the bolus button that form no part of the claimed design.

**1 Claim, 4 Drawing Sheets**

(56) **References Cited**

U.S. PATENT DOCUMENTS

D607,605 S \* 1/2010 Todd ..... D28/64.1  
D828,201 S \* 9/2018 Jeong ..... D10/118.2  
D829,121 S \* 9/2018 Colasse ..... D10/106.1  
D830,872 S \* 10/2018 Jacob ..... D10/118.2  
D839,846 S \* 2/2019 Altonen ..... D13/171  
D848,891 S \* 5/2019 Paredes ..... D10/118.2  
D850,314 S \* 6/2019 Laurans ..... D10/118.2  
D850,315 S \* 6/2019 Laurans ..... D10/118.2  
D853,264 S \* 7/2019 Laurans ..... D10/118.2



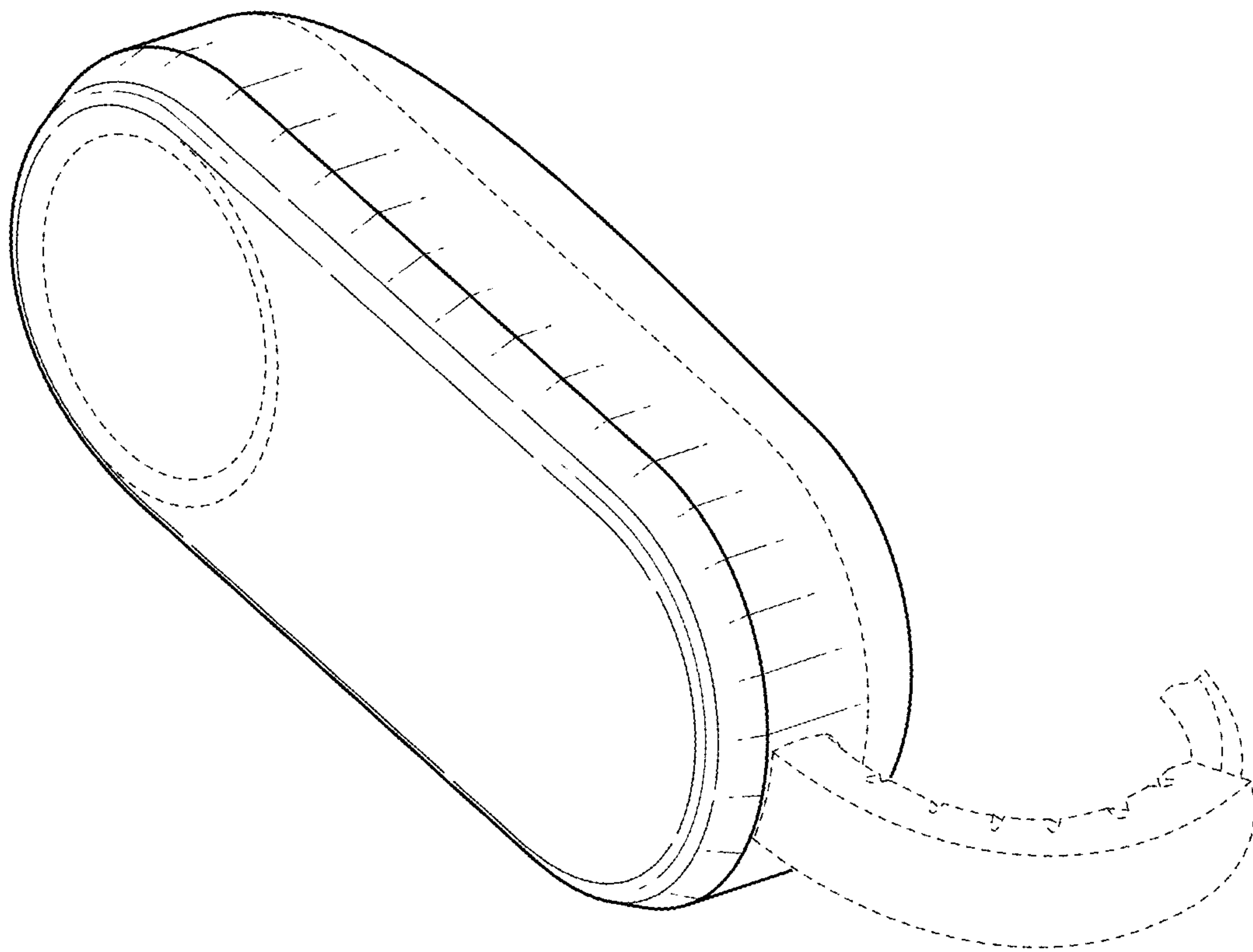


FIG. 1

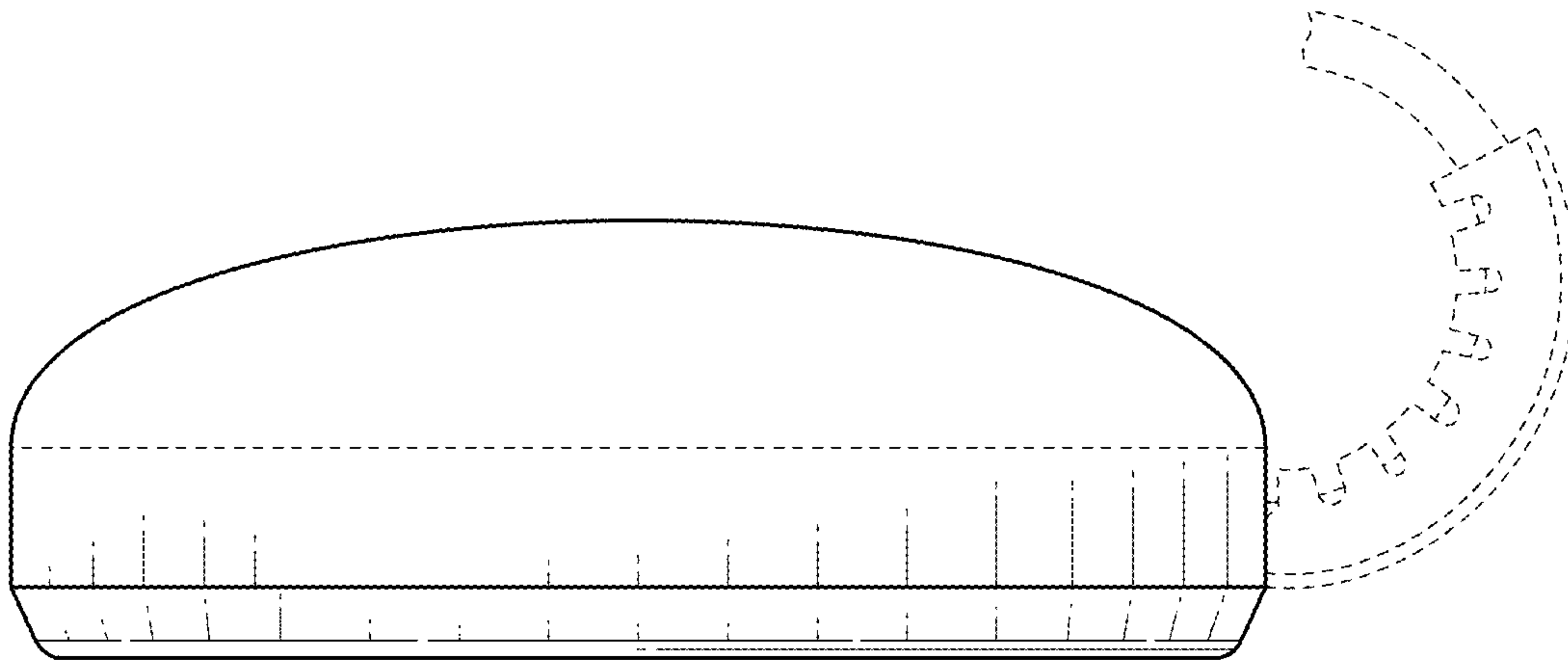


FIG. 2

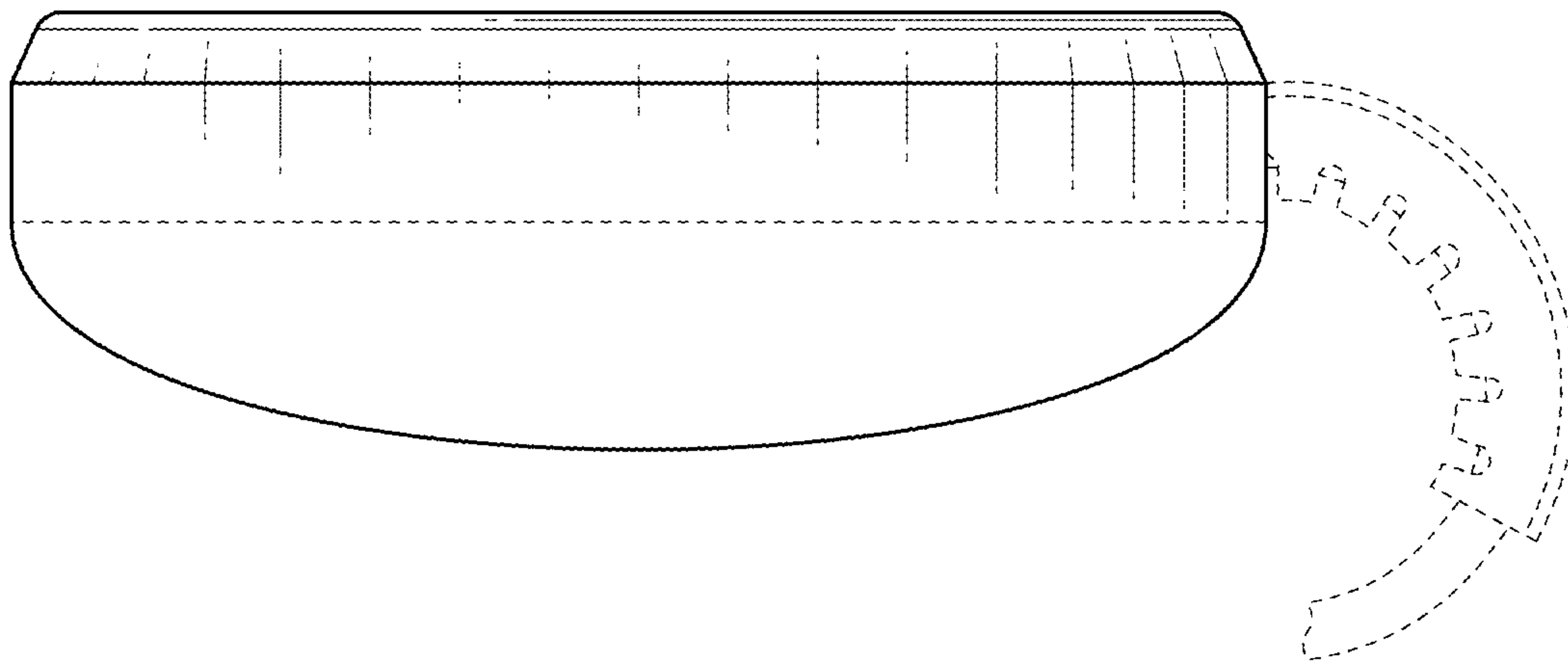


FIG. 3

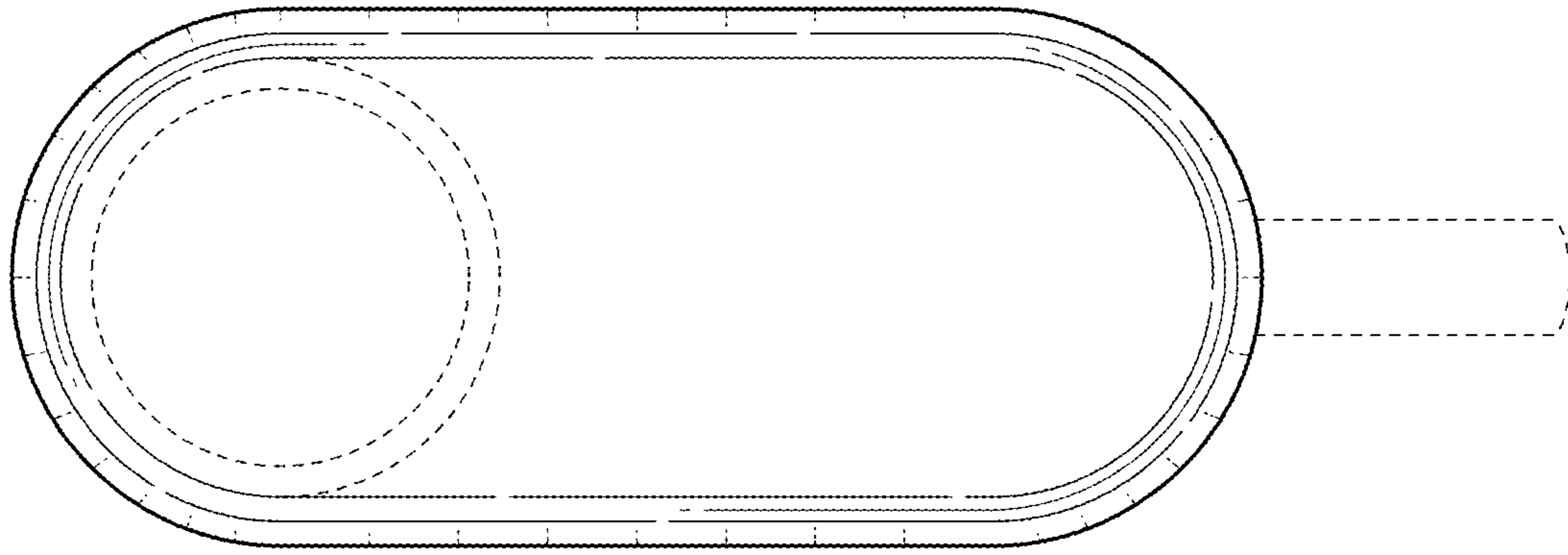


FIG. 4

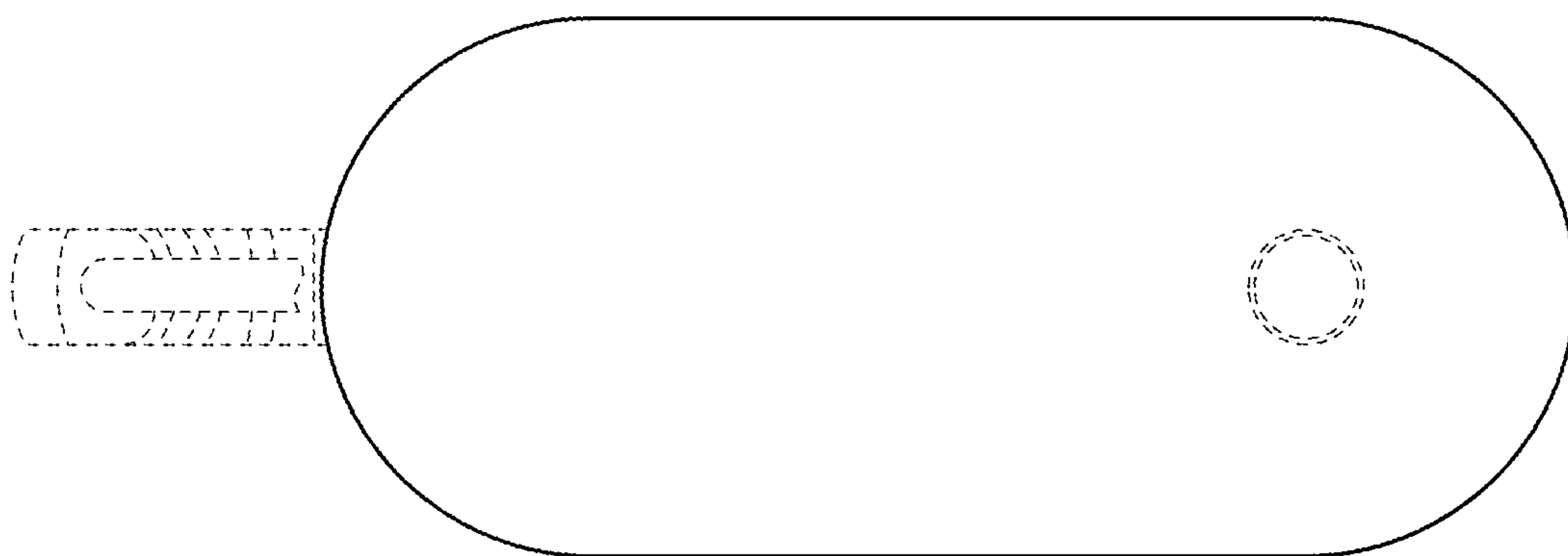


FIG. 5

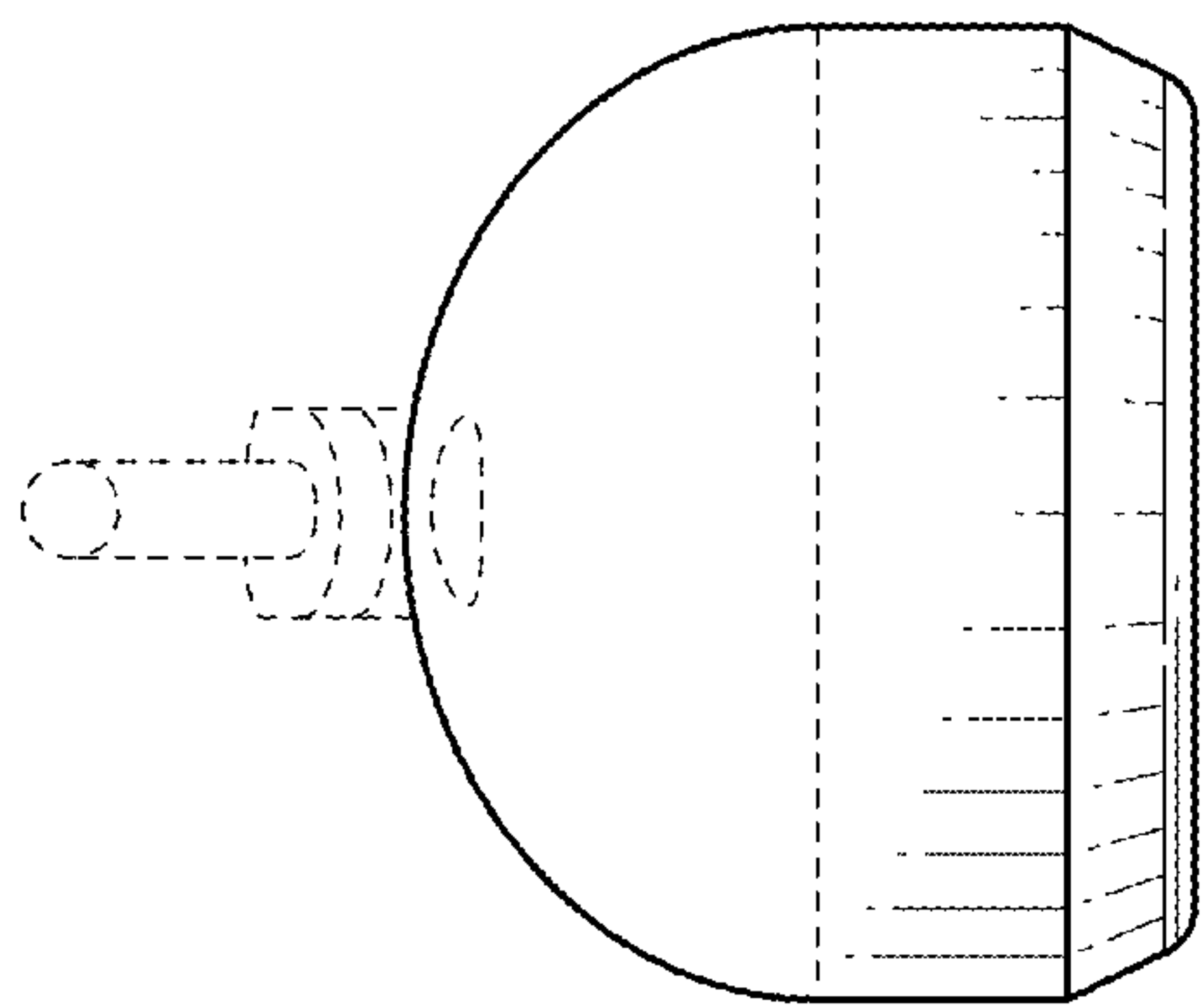


FIG. 6

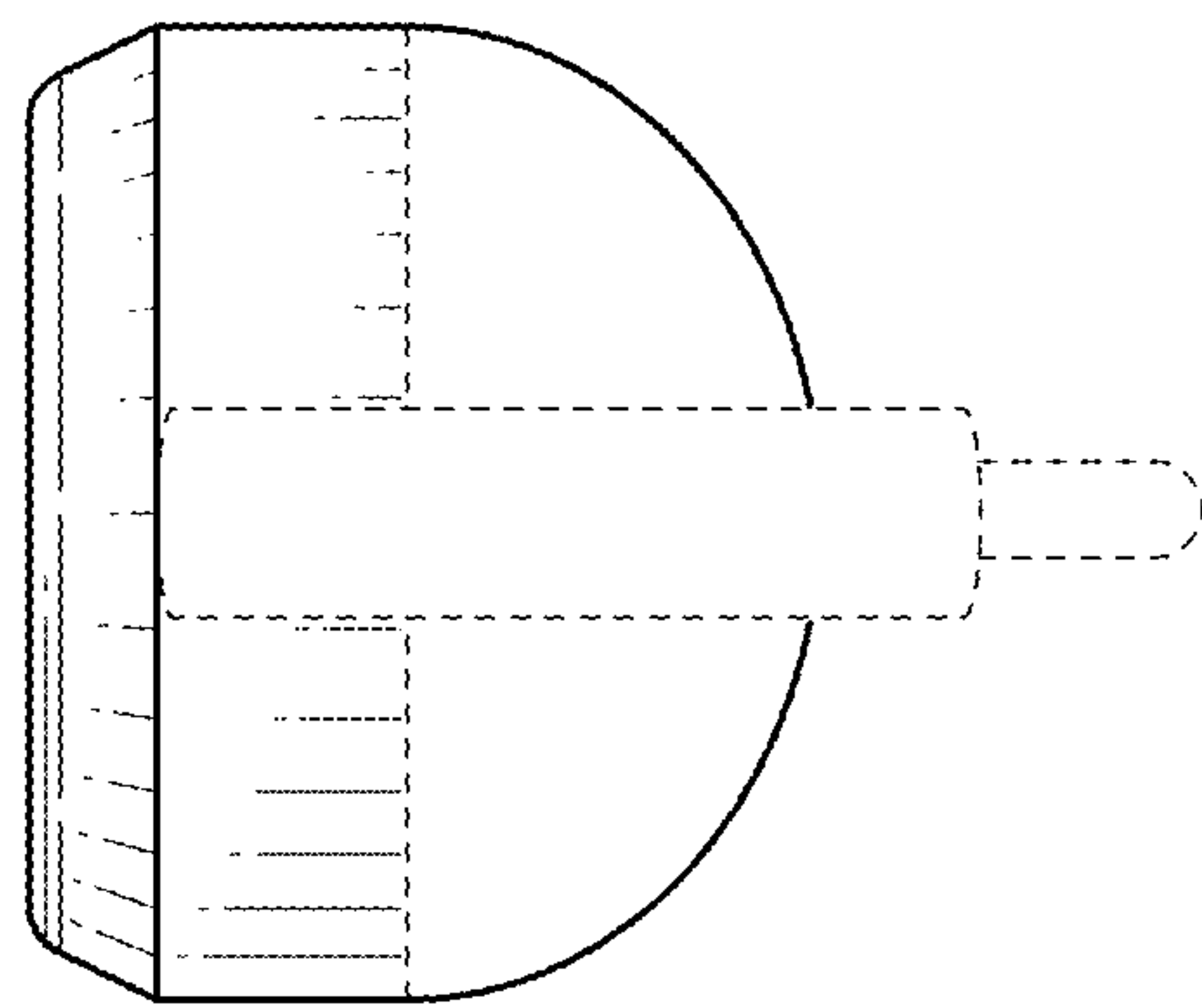


FIG. 7