



US00D945605S

(12) **United States Design Patent** (10) **Patent No.:** **US D945,605 S**  
**Bowen et al.** (45) **Date of Patent:** **\*\* Mar. 8, 2022**

(54) **RELEASE LINER STRUCTURE CARRYING A FACE MASK SEAL**

(71) Applicant: **PRESTIGE AMERITECH, LTD**, North Richland Hills, TX (US)

(72) Inventors: **Michael L. Bowen**, North Richland Hills, TX (US); **Richard Bennett**, Flower Mound, TX (US)

(73) Assignee: **Prestige Ameritech, Ltd**, North Richland Hills, TX (US)

(\*\*) Term: **15 Years**

(21) Appl. No.: **29/735,928**

(22) Filed: **May 26, 2020**

**Related U.S. Application Data**

(63) Continuation of application No. 16/849,203, filed on Apr. 15, 2020, now Pat. No. 10,849,375.

(51) **LOC (13) Cl.** ..... **24-02**

(52) **U.S. Cl.**  
USPC ..... **D24/127; D24/110.1**

(58) **Field of Classification Search**  
USPC ..... D24/110.1–110.2, 188–189, 127, D24/108–110

(Continued)

(56) **References Cited**

**U.S. PATENT DOCUMENTS**

2,928,388 A \* 3/1960 Jaroslaw ..... A41D 13/1176  
128/206.14  
4,638,043 A \* 1/1987 Szycher ..... A61K 9/7084  
424/448

(Continued)

**FOREIGN PATENT DOCUMENTS**

CN 303146194 \* 3/2015

**OTHER PUBLICATIONS**

100 pack PM 2.5 Activated Carbon Filter Insert Ship from USA, JCBABA,, Amazon, [Post Date Jul. 20, 2020], [Site seen Oct. 28, 2021], Seen at URL: [https://www.amazon.com/pack-Activated-Carbon-Filter-Insert/dp/B08D9GLTCX/ref=sr\\_1\\_54\\_sspa](https://www.amazon.com/pack-Activated-Carbon-Filter-Insert/dp/B08D9GLTCX/ref=sr_1_54_sspa) (Year: 2020).\*

(Continued)

*Primary Examiner* — Natasha Vujcic

*Assistant Examiner* — Gilbert B Ford

(74) *Attorney, Agent, or Firm* — Betsy Kingsbury Dowd, Esq.; BKDowd Law, P.C.

(57) **CLAIM**

The ornamental design for a release liner structure carrying a face mask seal, as shown and described.

**DESCRIPTION**

FIG. 1 is a top, left perspective view of a release liner structure carrying a face mask seal depicting our new design;

FIG. 2 is a front view of the release liner structure carrying a face mask seal depicted in FIG. 1;

FIG. 3 is a rear view of the release liner structure carrying a face mask seal depicted in FIG. 1;

FIG. 4 is a left side elevation view of the release liner structure carrying a face mask seal depicted in FIG. 1;

FIG. 5 is a right side elevation view of the release liner structure carrying a face mask seal depicted in FIG. 1;

FIG. 6 is a top plan view of the release liner structure carrying a face mask seal depicted in FIG. 1;

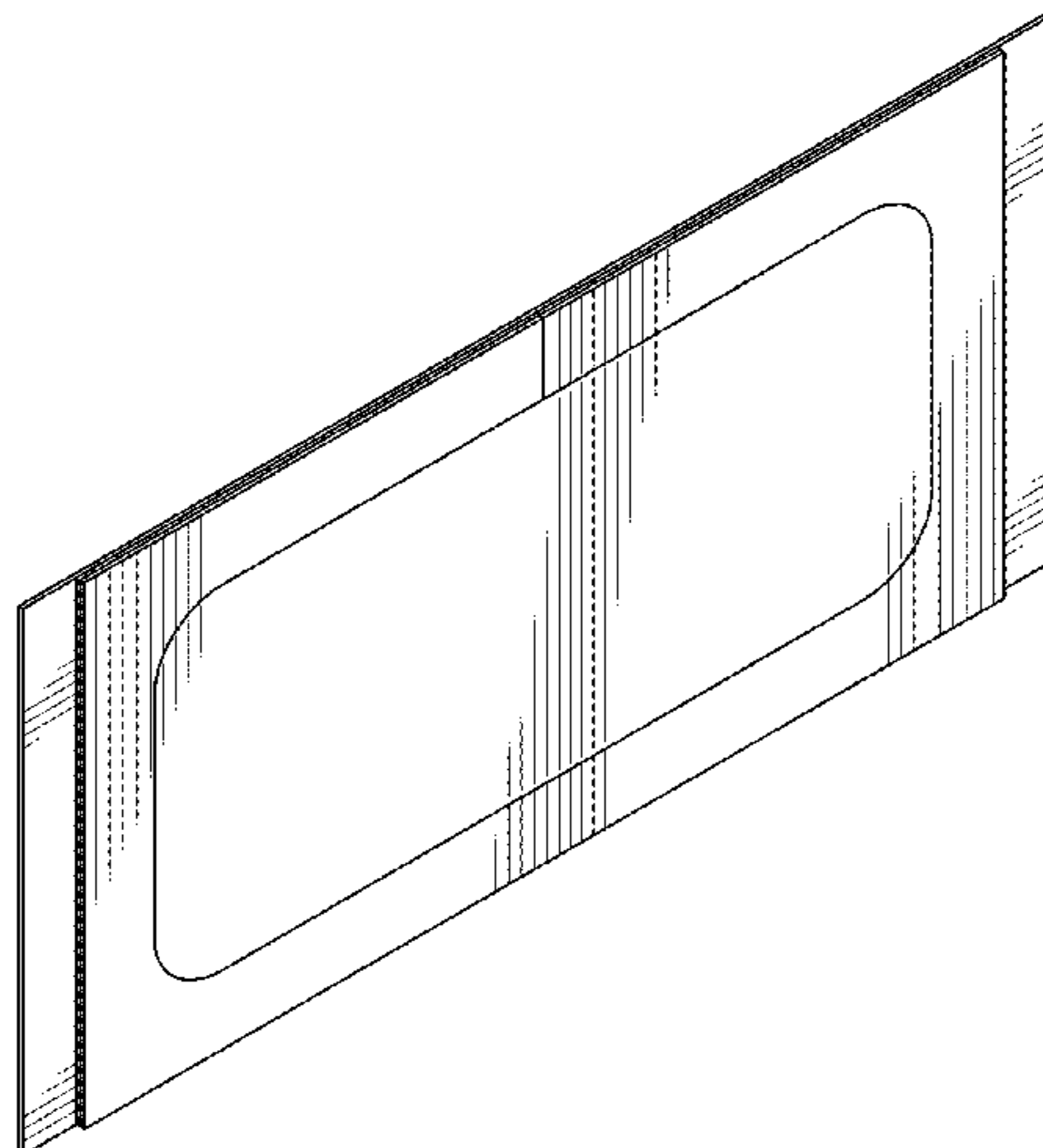
FIG. 7 is a bottom plan view of the release liner structure carrying a face mask seal depicted in FIG. 1;

FIG. 8 is an exploded view of the release liner structure carrying a face mask seal depicted in FIG. 1, from a bottom, right perspective view; and,

FIG. 9 is a bottom, right perspective view of the face mask seal removed from the release liner structure carrying a face mask seal depicted in FIG. 1.

The upper and lower surfaces of the middle layer of FIG. 8 and of the face mask seal in FIG. 9 are identical; that is, the markings on the upper surface of the middle layer shown in FIG. 8 and on the upper surface of the face mask seal in FIG.

(Continued)



9 represent adhesive, which is present on both the upper and lower surfaces of the middle layer shown in FIG. 8 and the face mask seal shown in FIG. 9.

**1 Claim, 5 Drawing Sheets**

(58) **Field of Classification Search**

CPC ..... A62B 18/025; A62B 23/025; A41D 13/11;  
A41D 13/1107; A41D 13/1115; A41D  
13/113; A41D 13/1161

See application file for complete search history.

(56)

**References Cited**

U.S. PATENT DOCUMENTS

D458,687	S *	6/2002	Dale	.....	D24/189
D477,076	S *	7/2003	Wall	.....	D24/125
6,767,342	B1 *	7/2004	Cantwell	.....	A61F 13/00068 424/447
D515,701	S *	2/2006	Horhota	.....	D24/189
D516,728	S *	3/2006	Wall	.....	D24/124
D632,398	S *	2/2011	Bray	.....	D24/188
8,061,356	B2 *	11/2011	Bowen	.....	A41D 13/1107 128/206.12
D693,062	S *	11/2013	Bowen	.....	D29/108
9,616,258	B2 *	4/2017	Tsuei	.....	B65H 45/24
D843,588	S *	3/2019	Slowey	.....	D24/189
D848,004	S *	5/2019	Del Rossi	.....	D24/189
10,322,303	B2 *	6/2019	Qian	.....	A41D 13/1192

D854,144	S *	7/2019	Bowen	.....	D24/110.1
10,744,352	B2 *	8/2020	Tucker	.....	A62B 23/025
D896,392	S *	9/2020	Bergstrom	.....	D24/189
10,849,375	B1 *	12/2020	Bowen	.....	A41D 13/1176
10,966,473	B1 *	4/2021	Clary	.....	A41D 13/1107
11,083,231	B1 *	8/2021	Lewis	.....	A41D 13/1107
D932,634	S *	10/2021	Kawakami	.....	D24/189
2006/0154006	A1 *	7/2006	Usui	.....	C09K 5/18 428/34.1
2008/0110469	A1 *	5/2008	Weinberg	.....	A41D 13/1176 128/863
2013/0261586	A1 *	10/2013	Lee	.....	A61F 13/4755 604/385.01

OTHER PUBLICATIONS

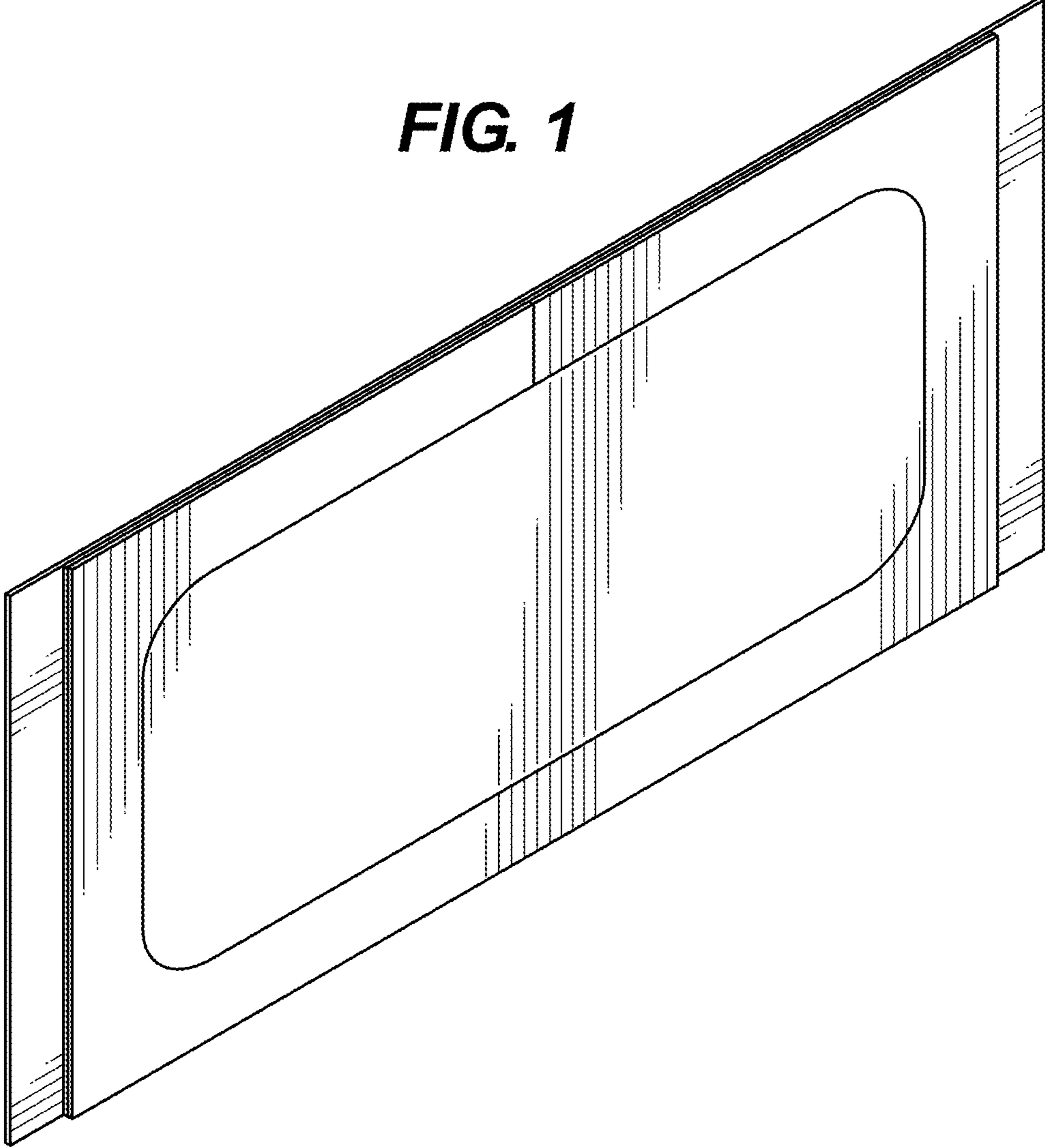
Disposable Face Masks Filter Pad 3 Layers Breathable Filter Protective Filter Mouth Mask, Cafago, [Post Date unknown], [Site seen 2020], Seen at URL: <https://www.cafago.com/en/p-md558.html> (Year: 2021).\*

6001PB1-3 Organic Vapor Replacement Cartridges, 3-Pairs, 3M, Amazon, [Post Date Jun. 3, 2014], [Site seen Oct. 28, 2021], Seen at URL: [https://www.amazon.com/3M-6001PB1-3-Organic-Replacement-Cartridges/dp/B00KX1IFNK/ref=sr\\_1\\_1](https://www.amazon.com/3M-6001PB1-3-Organic-Replacement-Cartridges/dp/B00KX1IFNK/ref=sr_1_1) (Year: 2014).\*

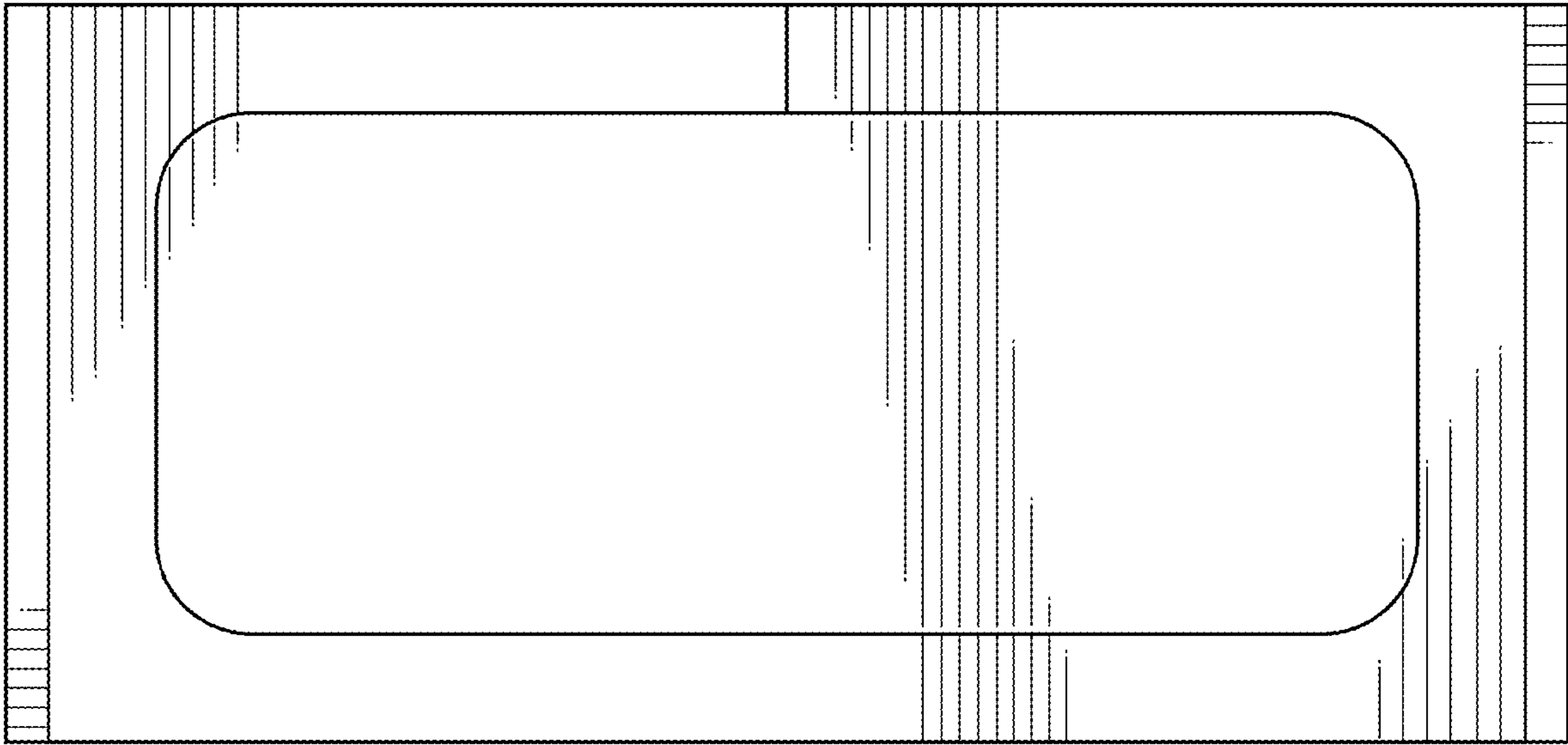
Replacement Filters Kit, 6 PCS Disposable Ultra Fine Filters, Legend M.D., Amazon, [Post Date Oct. 1, 2021], [Site seen Nov. 3, 2021], Seen at URL: [https://www.amazon.com/Replacement-Filters-Disposable-Reusable-DreamStation/dp/B09HN7GV5Q/ref=sr\\_1\\_105](https://www.amazon.com/Replacement-Filters-Disposable-Reusable-DreamStation/dp/B09HN7GV5Q/ref=sr_1_105) (Year: 2021).\*

\* cited by examiner

**FIG. 1**



**FIG. 2**



**FIG. 3**



**FIG. 4**



**FIG. 5**



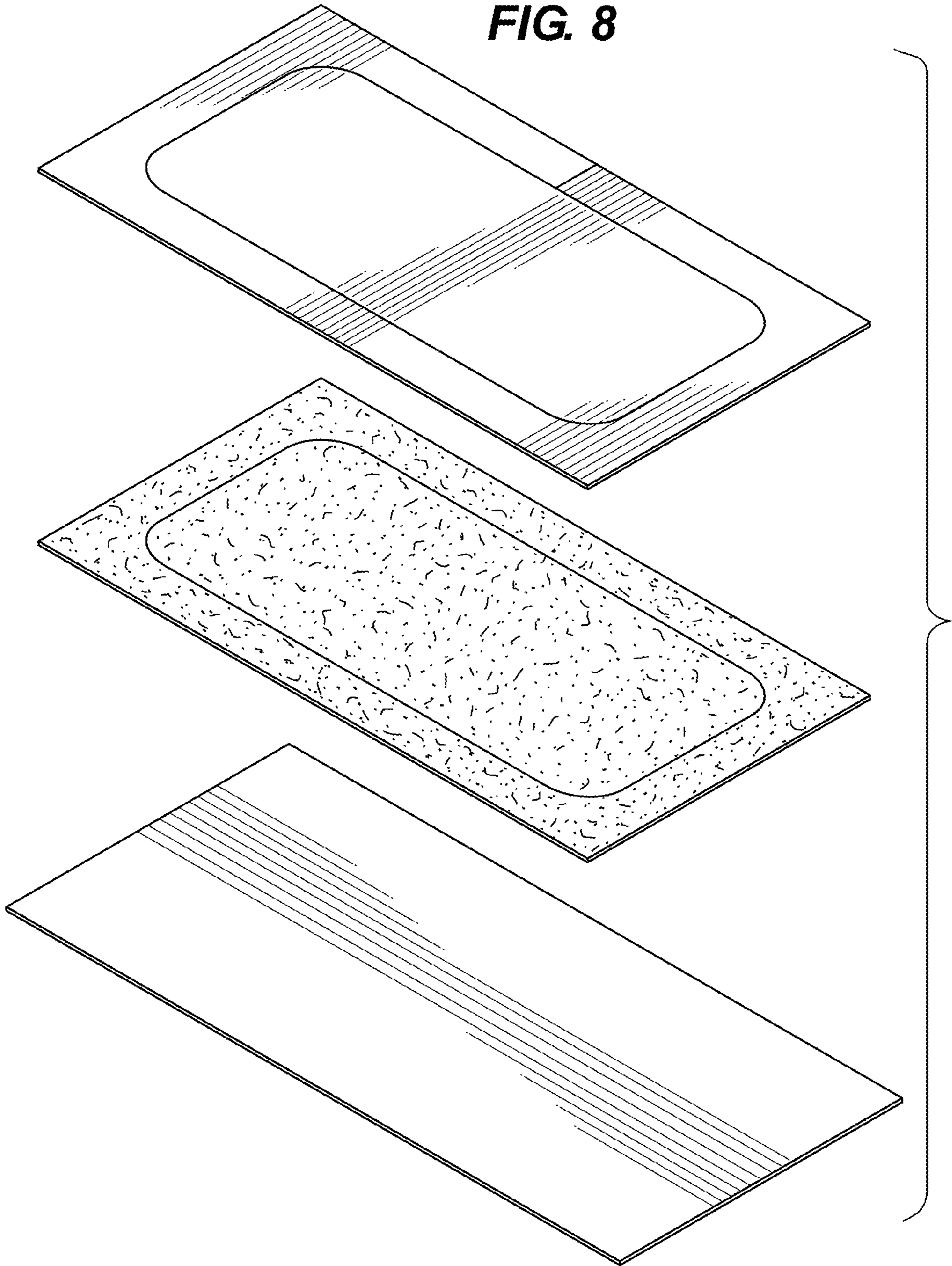
**FIG. 6**



**FIG. 7**



**FIG. 8**



**FIG. 9**

