



US00D945602S

(12) **United States Design Patent** (10) **Patent No.:** **US D945,602 S**
Chen (45) **Date of Patent:** **** Mar. 8, 2022**

(54) **CAP WITH CATHETER**
(71) Applicant: **Xiaoling Chen**, Jiashan County (CN)
(72) Inventor: **Xiaoling Chen**, Jiashan County (CN)
(**) Term: **15 Years**
(21) Appl. No.: **29/781,176**

D873,603 S 1/2020 Diener et al.
D903,409 S 12/2020 Yeung
D904,602 S 12/2020 Hilton et al.
(Continued)

FOREIGN PATENT DOCUMENTS

CN 304374066 * 11/2017
CN 306330250 * 2/2021
KR 301044607.0000 * 2/2020

(22) Filed: **Apr. 28, 2021**
(51) **LOC (13) Cl.** **24-02**
(52) **U.S. Cl.**
USPC **D24/112; D24/130**
(58) **Field of Classification Search**
USPC D24/127, 130, 133, 129, 112-114, 186,
D24/108
CPC A61M 25/0021; A61M 25/0043; A61M
25/0097; A61M 2025/0008
See application file for complete search history.

OTHER PUBLICATIONS

Cure Twist Catheter for Women, 180 Medical, Youtube, [Post date: Mar. 23, 2021], [Date seen: Dec. 29, 2021], Seen at URL: <https://www.youtube.com/watch?v=R-55gfD8eLQ&t=27s>, (Year: 2021).*

Primary Examiner — Natasha Vujcic
Assistant Examiner — Gilbert B Ford
(74) *Attorney, Agent, or Firm* — Xiaofang Zhong; Law Office of Xiaofang Zhong, PLLC

(57) **CLAIM**

The ornamental design for a cap with catheter, as shown and described.

(56) **References Cited**

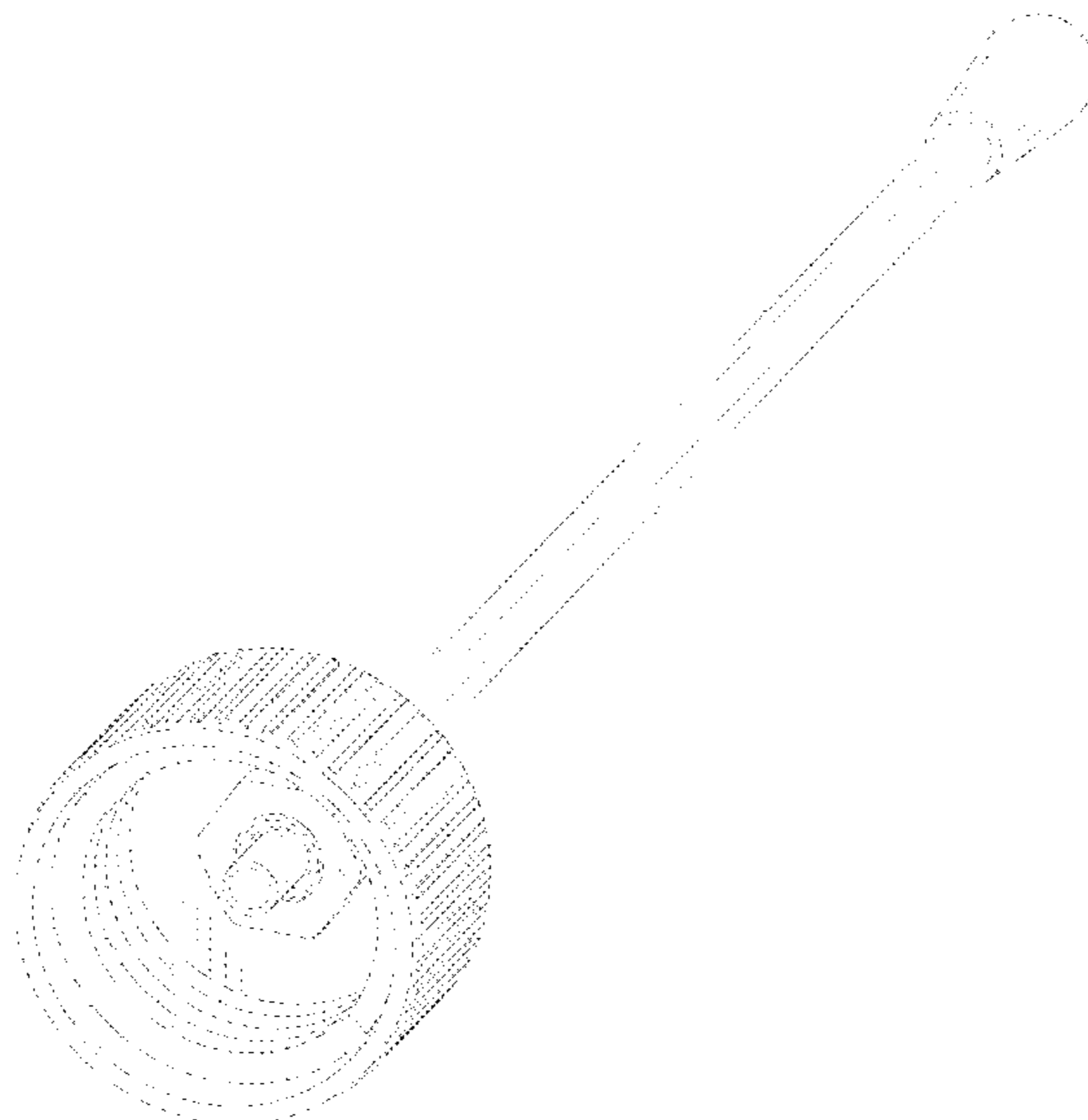
U.S. PATENT DOCUMENTS

D558,339 S * 12/2007 Christopher D24/112
D567,367 S * 4/2008 Mongeon D24/112
D590,945 S * 4/2009 Berberich D24/133
D630,733 S * 1/2011 Ahlgren D24/130
D630,734 S * 1/2011 Speiser D24/133
D700,318 S * 2/2014 Amoah D24/112
D710,497 S * 8/2014 Pham D24/130
D722,872 S 2/2015 Bowman et al.
D731,240 S 6/2015 Bell et al.
D737,973 S * 9/2015 Nagele D24/146
D751,703 S * 3/2016 Corydon D24/130
D775,330 S * 12/2016 Blennow D24/130
D779,056 S * 2/2017 Brannon D24/127
D808,802 S 1/2018 Seiders et al.
D816,217 S * 4/2018 Naughton D24/130
D823,110 S * 7/2018 Koe D9/436
D828,011 S 9/2018 O'Brien et al.
D837,974 S 1/2019 Hannon et al.
D841,155 S 2/2019 McMenamin et al.
D867,581 S * 11/2019 Schneider D24/112

DESCRIPTION

FIG. 1 is a perspective view of a cap with catheter showing my new design;
FIG. 2 is another perspective view of the cap with catheter on top of a bottle;
FIG. 3 is a front elevational view thereof;
FIG. 4 is a back elevational view thereof;
FIG. 5 is a left side elevational view thereof;
FIG. 6 is a right side elevational view thereof;
FIG. 7 is a top plan view thereof;
FIG. 8 is a bottom plan view thereof; and,
FIG. 9 is an enlarged view of portion 9 of FIG. 2 thereof. The broken lines in the drawings illustrate the environment of the cap with catheter which forms no part of the claimed design.

1 Claim, 9 Drawing Sheets



(56)

References Cited

U.S. PATENT DOCUMENTS

D909,942 S 2/2021 Tinius
D910,836 S 2/2021 Sandberg et al.
D936,218 S * 11/2021 McLean D24/130
D938,583 S * 12/2021 Yan D24/133
2011/0251589 A1* 10/2011 Locsin A61M 25/0069
604/508
2018/0200501 A1* 7/2018 Her F16L 55/10

* cited by examiner

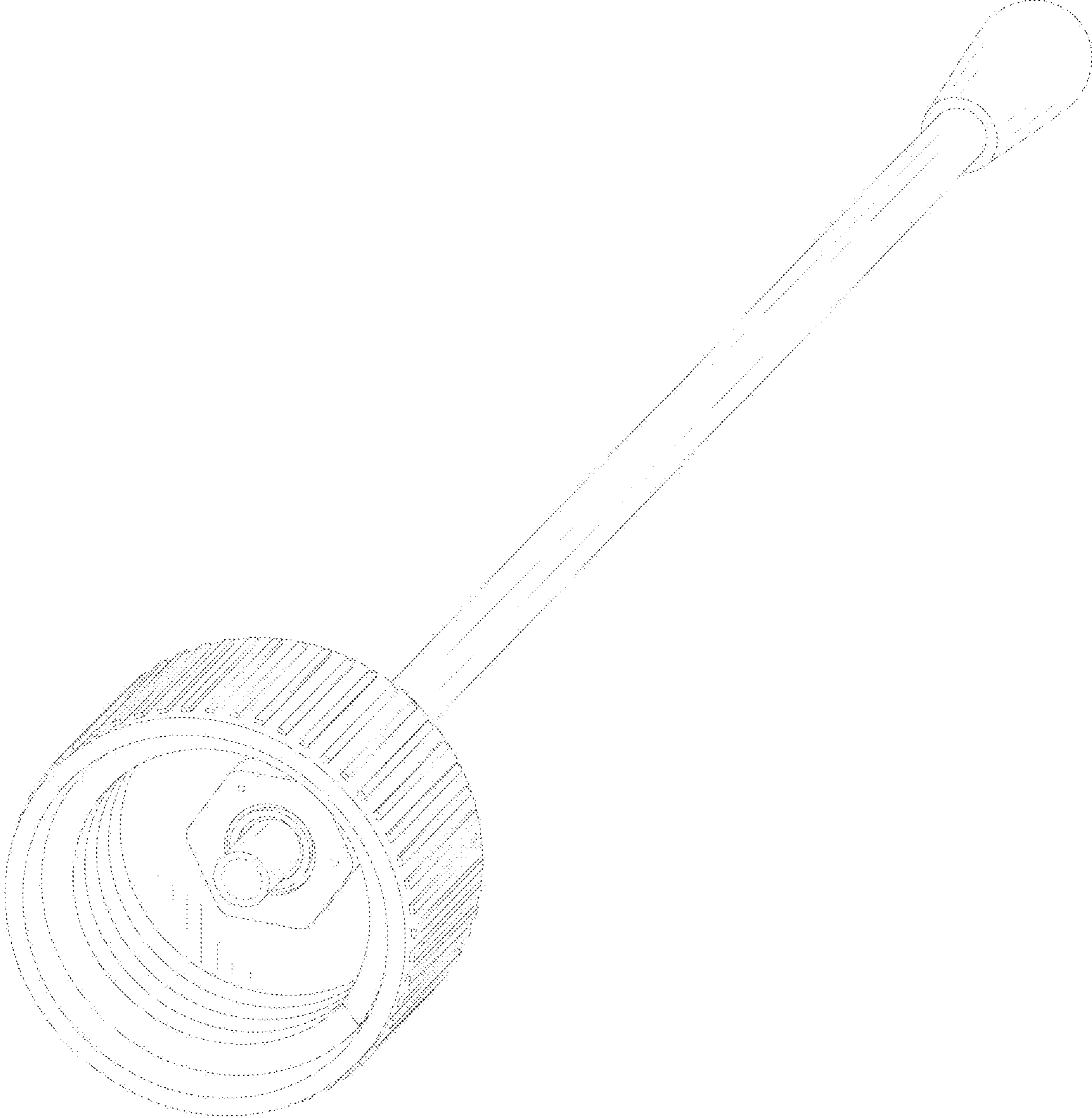


FIG.1

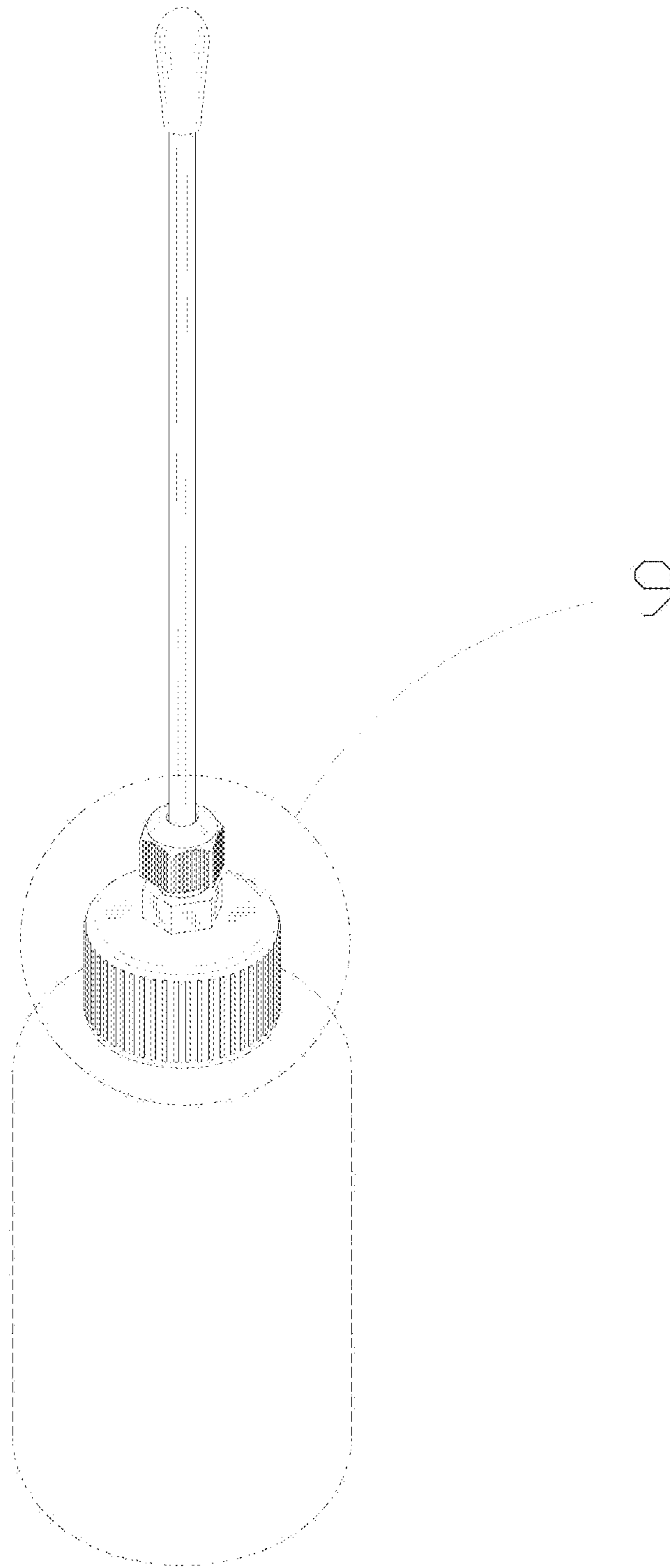


FIG. 2

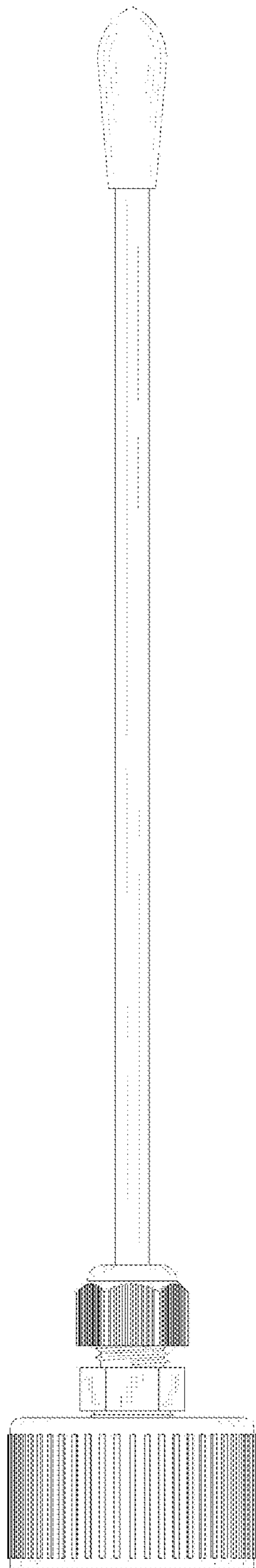


FIG. 3

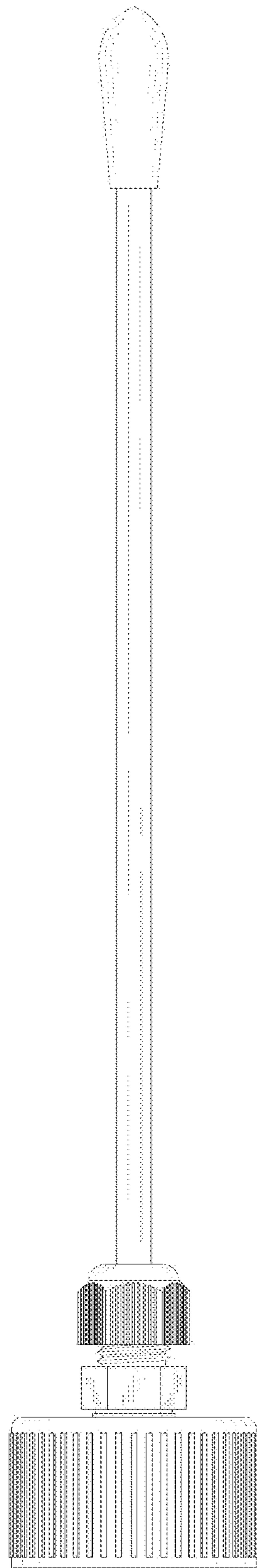


FIG. 4

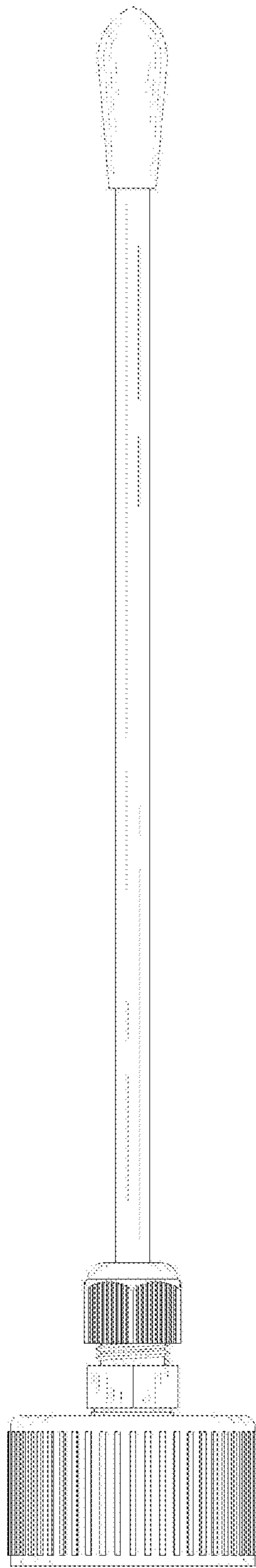


FIG. 5

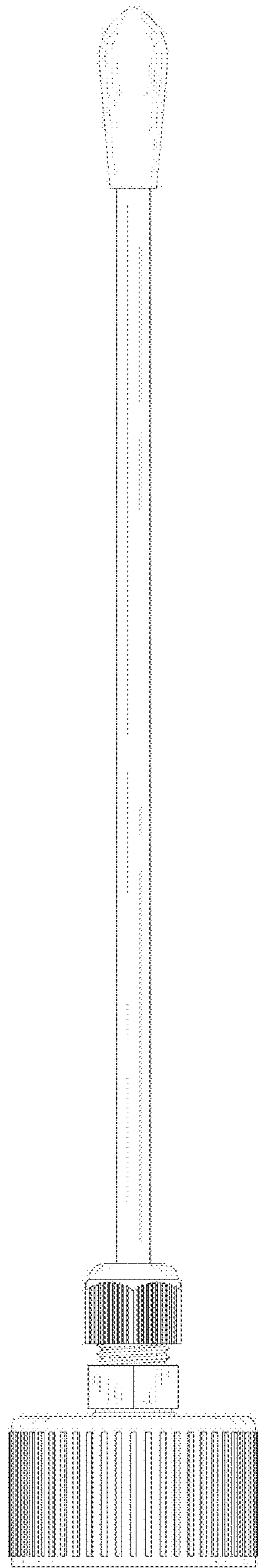


FIG.6

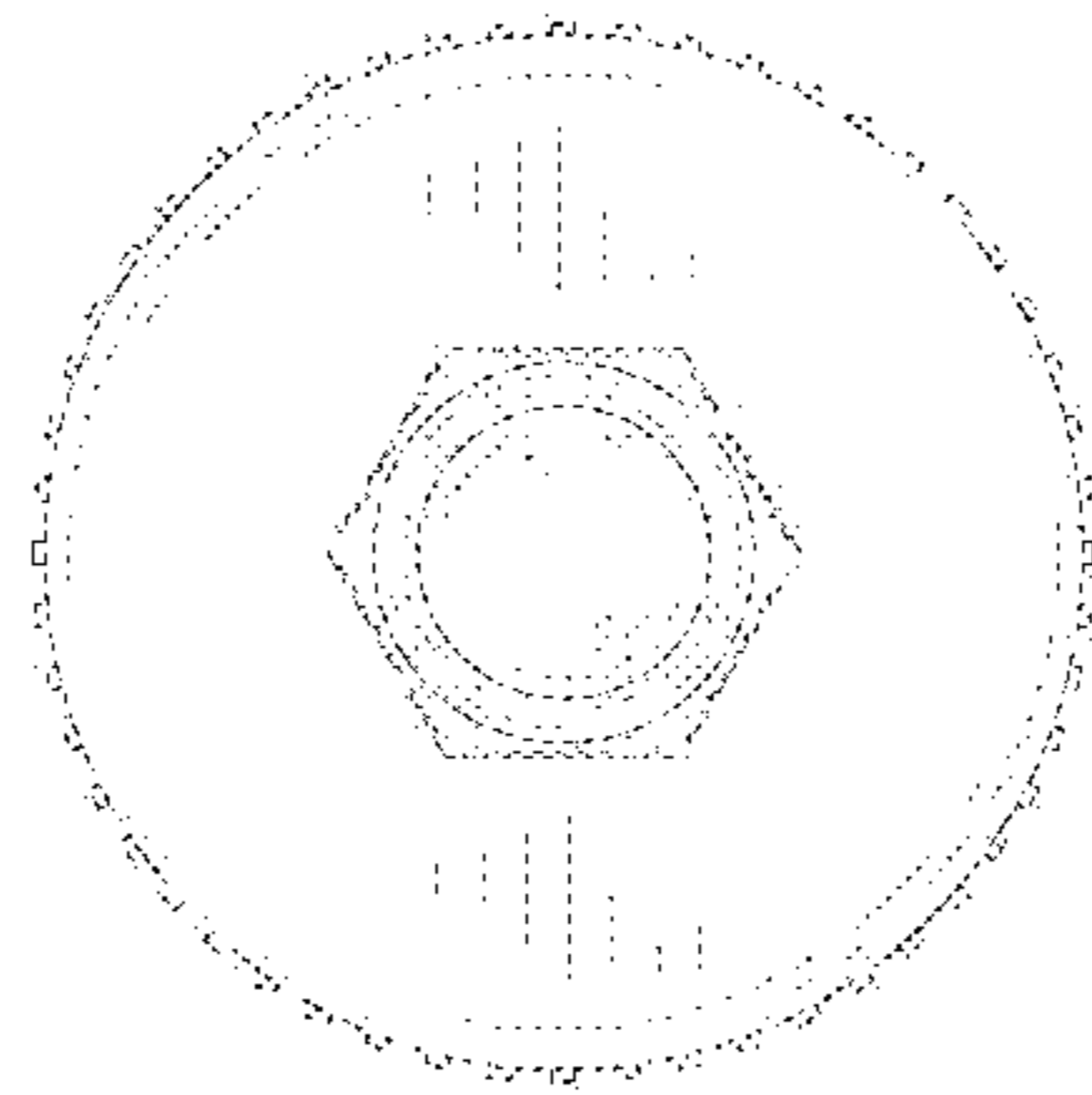


FIG. 7

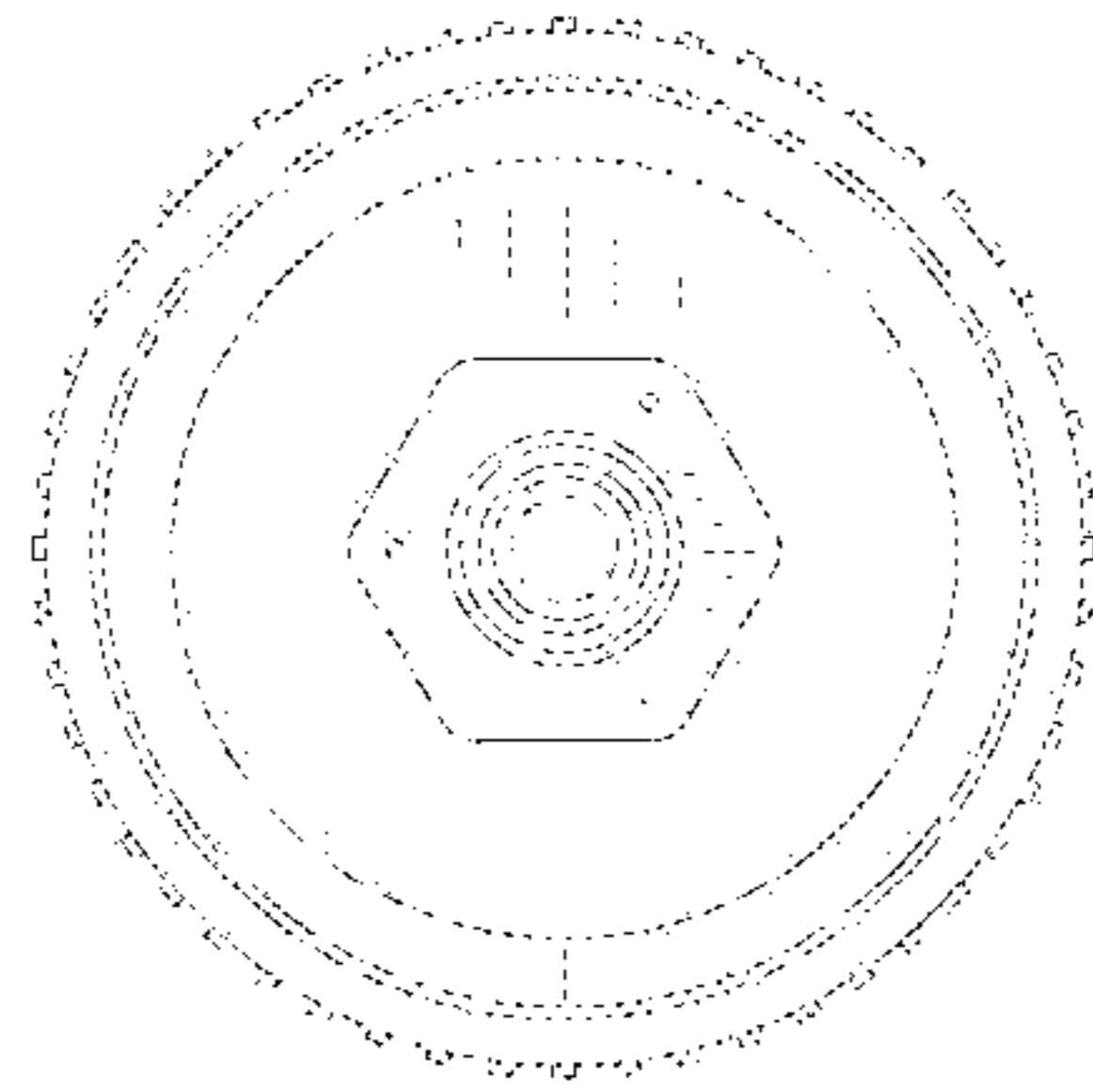


FIG. 8

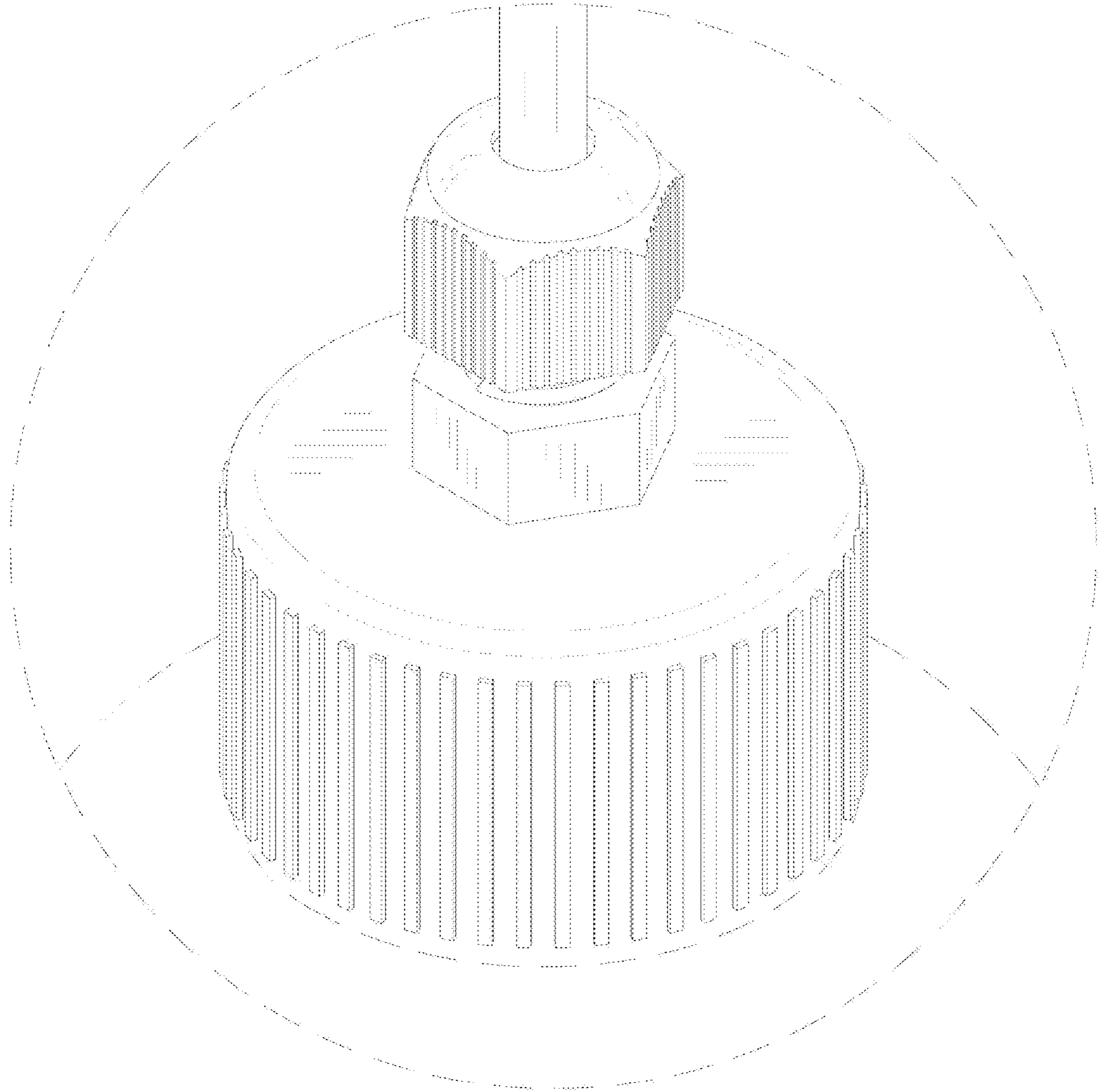


FIG. 9