



US00D945601S

(12) **United States Design Patent** (10) **Patent No.:** **US D945,601 S**  
**Bondurant et al.** (45) **Date of Patent:** **\*\* Mar. 8, 2022**

(54) **CORDLESS WATER FLOSSER**

(56) **References Cited**

(71) Applicant: **WATER PIK, INC.**, Fort Collins, CO (US)

U.S. PATENT DOCUMENTS

(72) Inventors: **Thomas A. Bondurant**, Fort Collins, CO (US); **Jeffrey Ladwig**, Seattle, WA (US); **Taylor Thomas**, Seattle, WA (US)

555,588 A	3/1896	Spencer
1,278,225 A	9/1918	Schamberg
1,452,258 A	4/1923	Smith
1,464,419 A	8/1923	Gill
1,480,310 A	1/1924	Smith

(Continued)

(73) Assignee: **WATER PIK, INC.**, Fort Collins, CO (US)

FOREIGN PATENT DOCUMENTS

(\*\*) Term: **15 Years**

CA	851479	9/1970
CH	655237	4/1986

(Continued)

(21) Appl. No.: **29/768,459**

OTHER PUBLICATIONS

(22) Filed: **Jan. 29, 2021**

US RE27,274 E, 01/1972, Mattingly (withdrawn)  
(Continued)

**Related U.S. Application Data**

(63) Continuation of application No. 29/753,968, filed on Oct. 5, 2020, now Pat. No. Des. 913,486, which is a continuation of application No. 29/736,218, filed on May 28, 2020, now Pat. No. Des. 902,385, which is a continuation of application No. 29/681,220, filed on Feb. 22, 2019, now Pat. No. Des. 888,936.

*Primary Examiner* — Lilyana Bekic

*Assistant Examiner* — Lee D. Starr

(74) *Attorney, Agent, or Firm* — Dorsey & Whitney LLP

(51) **LOC (13) Cl.** ..... **24-02**

(57)

**CLAIM**

We claim the ornamental design for a cordless water flosser, as shown and described.

(52) **U.S. Cl.**

**DESCRIPTION**

USPC ..... **D24/111**

(58) **Field of Classification Search**

USPC ..... D24/111, 108, 112–115, 117, 152, 176;  
D4/100, 101, 110, 111

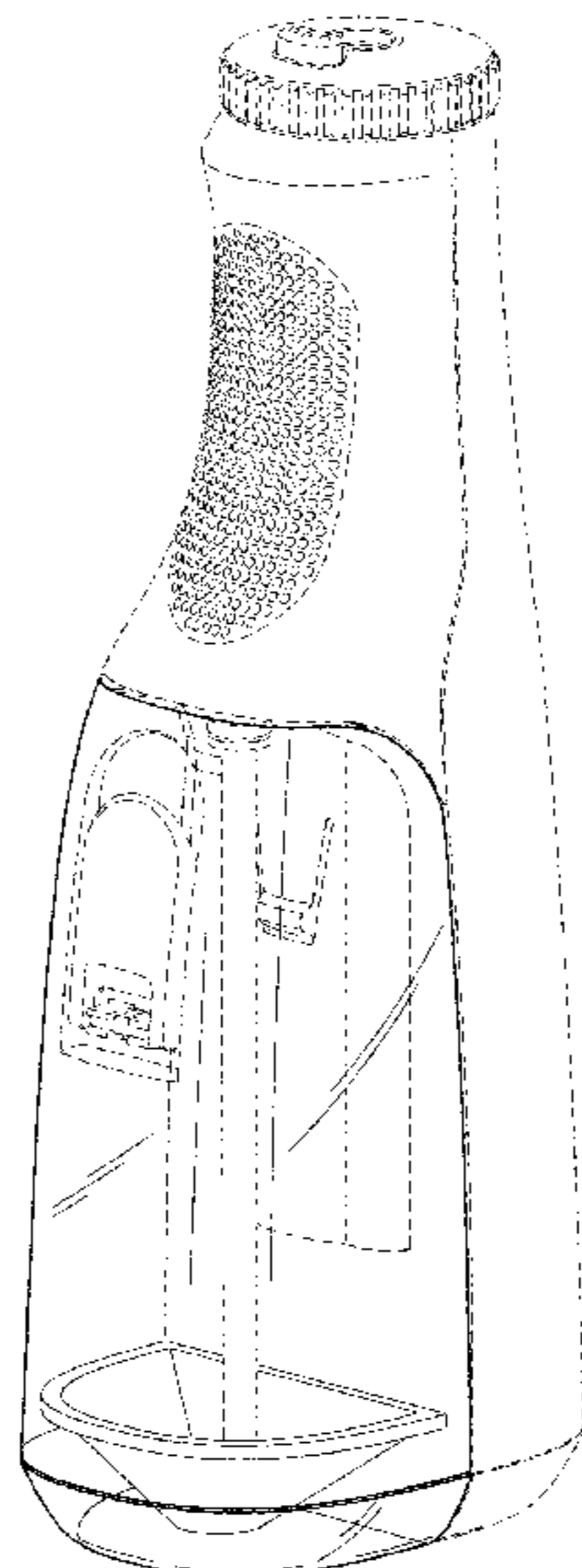
CPC ... A61C 15/046; A61C 15/047; A61C 15/048;  
A61C 17/00; A61C 17/005; A61C 17/02;  
A61C 17/0202; A61C 17/0205; A61C  
17/0211; A61C 17/16; A61C 17/22; A61C  
17/222; A61C 17/225; A61C 17/227;  
A61C 17/28; A61C 17/32; A61C 17/34;  
A61C 17/36

FIG. 1 is a front isometric view of a cordless water flosser.  
FIG. 2 is a rear isometric view thereof.  
FIG. 3 is a front elevation view thereof.  
FIG. 4 is a rear elevation view thereof.  
FIG. 5 is a right side elevation view thereof.  
FIG. 6 is a left side elevation view thereof.  
FIG. 7 is a top plan view thereof; and,  
FIG. 8 is a bottom plan view thereof.

The broken lines illustrate portions of the cordless water flosser that form no part of the claimed design.

See application file for complete search history.

**1 Claim, 7 Drawing Sheets**



(56)

## References Cited

## U.S. PATENT DOCUMENTS

1,498,267 A	6/1924	Hachman	3,768,472 A	10/1973	Hodosh et al.
1,650,686 A	11/1927	Binks	3,783,364 A	1/1974	Gallanis et al.
1,669,889 A	5/1928	Andrews et al.	3,809,506 A	5/1974	Malcosky
1,681,320 A	8/1928	Bergl et al.	3,809,977 A	5/1974	Balamuth et al.
1,933,454 A	10/1933	Sidney	3,811,432 A	5/1974	Moret
1,940,111 A	12/1933	Austin	3,820,532 A	6/1974	Eberhardt et al.
D93,019 S	8/1934	Hose	3,827,147 A	8/1974	Condon
1,977,782 A	10/1934	Roy	3,837,166 A	9/1974	Hiraoka
2,107,686 A	2/1938	Bramsen et al.	3,840,795 A	10/1974	Roszyk et al.
D159,872 S	8/1950	Skold	3,847,145 A	11/1974	Grossan
2,531,730 A	11/1950	Henderson	3,854,209 A	12/1974	Franklin et al.
2,595,666 A	5/1952	Hutson	3,863,628 A	2/1975	Vit
2,669,233 A	2/1954	Friend	3,871,560 A	3/1975	Crippa
2,709,227 A	5/1955	Foley et al.	3,874,506 A	4/1975	Hill et al.
2,783,919 A	3/1957	Ansell	3,912,125 A	10/1975	Acklin
2,794,437 A	6/1957	Tash	3,943,628 A	3/1976	Kronman et al.
2,870,932 A	1/1959	Davis	3,959,883 A	6/1976	Walls et al.
2,984,452 A	5/1961	Hooper	3,973,558 A	8/1976	Stouffer et al.
3,089,490 A	5/1963	Goldberg	3,977,084 A	8/1976	Sloan
3,096,913 A	7/1963	Jousson	4,001,526 A	1/1977	Olson
3,144,867 A	8/1964	Trupp et al.	4,004,302 A	1/1977	Hori
D202,041 S	8/1965	Burzlaff	4,007,739 A	2/1977	Bron et al.
3,209,956 A	10/1965	McKenzie	4,013,227 A	3/1977	Herrera
3,216,619 A	11/1965	Richards et al.	4,052,002 A	10/1977	Stouffer et al.
3,225,759 A	12/1965	Drapen et al.	D246,667 S	12/1977	Mackay et al.
3,227,158 A	1/1966	Mattingly	D246,668 S	12/1977	Mackay et al.
3,266,623 A	8/1966	Poferl	4,060,870 A	12/1977	Cannarella
3,297,558 A	1/1967	Hillquist	4,075,761 A	2/1978	Behne et al.
D208,778 S	10/1967	Koch	4,078,558 A	3/1978	Woog et al.
D209,204 S	11/1967	St. Clair et al.	4,094,311 A	6/1978	Hudson
D209,395 S	11/1967	Gilbert	4,108,167 A	8/1978	Hickman et al.
D210,018 S	1/1968	Mattingly et al.	4,108,178 A	8/1978	Betush
D210,019 S	1/1968	Johnson et al.	4,109,650 A	8/1978	Peclard
3,370,214 A	2/1968	Aymar	4,122,845 A	10/1978	Stouffer et al.
3,391,696 A	7/1968	Woodward	4,135,501 A	1/1979	Leunissan
3,393,673 A	7/1968	Mattingly et al.	4,141,352 A	2/1979	Ebner et al.
3,400,999 A	9/1968	Goldstein	4,144,646 A	3/1979	Takemoto et al.
3,418,552 A	12/1968	Holmes	4,149,315 A	4/1979	Page, Jr. et al.
3,420,228 A	1/1969	Kalbfeld	4,154,375 A	5/1979	Bippus
3,425,410 A	2/1969	Cammack	4,160,383 A	7/1979	Rauschenberger
3,453,969 A	7/1969	Mattingly	4,171,572 A	10/1979	Nash
3,465,751 A	9/1969	Powers	4,182,038 A	1/1980	Fleer
3,467,083 A	9/1969	Mattingly	4,200,235 A	4/1980	Monschke
D215,920 S	11/1969	McCarty et al.	4,201,200 A	5/1980	Hubner
3,487,828 A	1/1970	Troy	4,215,476 A	8/1980	Armstrong
3,489,268 A	1/1970	Meierhoefer	4,219,618 A	8/1980	Leonard
3,495,587 A	2/1970	Freedman	4,227,878 A	10/1980	Lohn
3,496,933 A	2/1970	Lloyd	4,229,634 A	10/1980	Hickman et al.
3,499,440 A	3/1970	Gibbs	4,236,889 A	12/1980	Wright
3,500,824 A	3/1970	Gilbert	D258,097 S	2/1981	Wistrand
3,501,203 A	3/1970	Falk	4,248,589 A	2/1981	Lewis
3,502,072 A	3/1970	Stillman	4,249,899 A	2/1981	Davis
3,517,669 A	6/1970	Buono et al.	4,257,458 A	3/1981	Kondo et al.
D218,270 S	8/1970	Soper	4,262,799 A	4/1981	Perrett
3,522,801 A	8/1970	Robinson	4,266,934 A	5/1981	Pernot
3,532,221 A	10/1970	Kaluhiokalani et al.	4,276,023 A	6/1981	Phillips et al.
3,536,065 A	10/1970	Moret	4,276,880 A	7/1981	Malmin
3,537,444 A	11/1970	Garn	4,302,186 A	11/1981	Cammack et al.
3,538,950 A	11/1970	Porteners	4,303,064 A	12/1981	Buffa
3,547,110 A	12/1970	Balamuth	4,303,070 A	12/1981	Ichikawa et al.
3,561,433 A	2/1971	Kovach	4,306,862 A	12/1981	Knox
D220,334 S	3/1971	Mackay et al.	4,315,741 A	2/1982	Reichl
3,570,525 A	3/1971	Borsum	4,319,568 A	3/1982	Tregoning
3,572,375 A	3/1971	Rosenberg	4,331,422 A	5/1982	Heyman
3,578,884 A	5/1971	Jacobson	4,337,040 A	6/1982	Cammack et al.
D220,996 S	6/1971	Irons	4,340,365 A	7/1982	Pisanu
3,583,609 A	6/1971	Oppenheimer	4,340,368 A	7/1982	Lococo
3,590,813 A	7/1971	Roszyk	D266,117 S	9/1982	Oberheim
3,608,548 A	9/1971	Lewis	4,353,694 A	10/1982	Pelerin
D222,862 S	1/1972	Cook	4,363,626 A	12/1982	Schmidt et al.
3,636,947 A	1/1972	Balamuth	4,365,376 A	12/1982	Oda et al.
3,651,576 A	3/1972	Massa	4,370,131 A	1/1983	Banko
3,669,101 A	6/1972	Kleiner	4,374,354 A	2/1983	Petrovic et al.
3,703,170 A	11/1972	Ryckman, Jr.	4,382,167 A	5/1983	Maruyama et al.
3,747,595 A	7/1973	Grossan	4,382,786 A	5/1983	Lohn
			D270,000 S	8/1983	Ketler
			4,412,823 A	11/1983	Sakai et al.
			4,416,628 A	11/1983	Cammack
			4,442,830 A	4/1984	Markau

(56)

**References Cited**

U.S. PATENT DOCUMENTS

4,442,831 A	4/1984	Trenary	4,979,503 A	12/1990	Chernack
4,452,238 A	6/1984	Kerr	4,979,504 A	12/1990	Mills
4,454,866 A	6/1984	Fayen	4,989,590 A	2/1991	Baum et al.
4,512,769 A	4/1985	Kozam et al.	4,998,880 A	3/1991	Nerli
4,517,962 A	5/1985	Heckele	5,013,241 A	5/1991	Von Gutfeld et al.
4,531,912 A	7/1985	Schuss et al.	5,014,884 A	5/1991	Wunsch
4,531,913 A	7/1985	Taguchi	5,019,054 A	5/1991	Clement et al.
4,534,340 A	8/1985	Kerr et al.	5,027,798 A	7/1991	Primiano
4,552,130 A	11/1985	Kinoshita	5,029,576 A	7/1991	Evans, Sr.
4,561,214 A	12/1985	Inoue	5,033,617 A	7/1991	Hartwein et al.
D283,374 S	4/1986	Cheuk-Yiu	5,033,961 A	7/1991	Kandler et al.
4,585,415 A	4/1986	Hommann	D318,918 S	8/1991	Hartwein
4,591,777 A	5/1986	McCarty et al.	5,046,486 A	9/1991	Grulke et al.
4,592,728 A	6/1986	Davis	5,049,071 A	9/1991	Davis et al.
4,602,906 A	7/1986	Grunenfelder	5,060,825 A	10/1991	Palmer et al.
4,607,627 A	8/1986	Leber et al.	5,061,180 A	10/1991	Wiele
4,613,074 A	9/1986	Schulze	5,062,795 A	11/1991	Woog
4,619,009 A	10/1986	Rosenstatter	5,064,168 A	11/1991	Raines et al.
4,619,612 A	10/1986	Weber et al.	D322,314 S	12/1991	Ohbayashi
4,629,425 A	12/1986	Detsch	5,071,346 A	12/1991	Domaas
4,636,198 A	1/1987	Stade	5,082,115 A	1/1992	Hutcheson
4,642,037 A	2/1987	Fritchman	5,082,443 A	1/1992	Lohn
4,644,937 A	2/1987	Hommann	5,085,317 A	2/1992	Jensen et al.
4,645,488 A	2/1987	Matukas	5,086,756 A	2/1992	Powell
4,647,831 A	3/1987	O'Malley et al.	5,095,893 A	3/1992	Rawden, Jr.
4,648,838 A	3/1987	Schlachter	5,098,291 A	3/1992	Curtis et al.
4,650,475 A	3/1987	Smith et al.	5,098,676 A	3/1992	Brooks, Jr.
4,655,198 A	4/1987	Hommann	5,100,319 A	3/1992	Baum
4,669,453 A	6/1987	Atkinson et al.	5,117,871 A	6/1992	Gardner et al.
4,672,953 A	6/1987	DiVito	5,125,835 A	6/1992	Young
4,673,396 A	6/1987	Urbaniak	5,127,831 A	7/1992	Bab
D291,354 S	8/1987	Camens	5,142,723 A	9/1992	Lustig et al.
4,716,352 A	12/1987	Hurn et al.	5,150,841 A	9/1992	Silvenis et al.
4,749,340 A	6/1988	Ikeda et al.	5,172,810 A	12/1992	Brewer
4,770,632 A	9/1988	Ryder et al.	5,173,273 A	12/1992	Brewer
D298,565 S	11/1988	Kohler, Jr. et al.	5,183,035 A	2/1993	Weir
4,783,321 A	11/1988	Spence	5,197,458 A	3/1993	Ito et al.
4,787,845 A	11/1988	Valentine	5,197,460 A	3/1993	Ito et al.
4,787,847 A	11/1988	Martin et al.	5,199,871 A	4/1993	Young
4,798,292 A	1/1989	Hauze	5,203,697 A	4/1993	Malmin
4,803,974 A	2/1989	Powell	5,203,769 A	4/1993	Clement et al.
4,804,364 A	2/1989	Dieras et al.	5,204,004 A	4/1993	Johnston et al.
4,818,229 A	4/1989	Vasile	5,208,933 A	5/1993	Lustig et al.
4,820,152 A	4/1989	Warrin et al.	5,215,193 A	6/1993	Dennis
4,821,923 A	4/1989	Skorka	5,218,956 A	6/1993	Handler et al.
4,824,368 A	4/1989	Hickman	5,220,914 A	6/1993	Thompson
4,826,431 A	5/1989	Fujimura et al.	5,228,646 A	7/1993	Raines
4,827,551 A	5/1989	Maser et al.	5,230,624 A	7/1993	Wolf et al.
4,832,683 A	5/1989	Idemoto et al.	5,232,687 A	8/1993	Geimer
4,854,869 A	8/1989	Lawhorn	5,235,968 A	8/1993	Woog
4,861,340 A	8/1989	Smith et al.	5,241,714 A	9/1993	Barry
4,862,876 A	9/1989	Lih-Sheng	5,246,367 A	9/1993	Ito et al.
4,869,720 A	9/1989	Chernack	5,252,064 A	10/1993	Baum et al.
4,880,382 A	11/1989	Moret et al.	D341,200 S	11/1993	Yoshimoto
4,886,452 A	12/1989	Lohn	5,257,933 A	11/1993	Jousson
4,900,252 A	2/1990	Liefke et al.	5,261,448 A	11/1993	Furuya et al.
4,902,225 A	2/1990	Lohn	D341,943 S	12/1993	Si-Hoe
4,903,687 A	2/1990	Lih-Sheng	5,267,586 A	12/1993	Jankavaara
4,906,187 A	3/1990	Amadera	5,269,684 A	12/1993	Fischer
4,907,744 A	3/1990	Jousson	5,281,137 A	1/1994	Jousson
4,925,450 A	5/1990	Imonti et al.	5,281,139 A	1/1994	Frank et al.
4,928,675 A	5/1990	Thornton	5,282,745 A	2/1994	Wiltrout et al.
4,930,660 A	6/1990	Porteous	5,286,192 A	2/1994	Dixon
4,941,459 A	7/1990	Mathur	5,286,201 A	2/1994	Yu
4,950,159 A	8/1990	Hansen	5,295,832 A	3/1994	Evans
4,958,629 A	9/1990	Peace et al.	5,297,962 A	3/1994	O'Connor et al.
4,958,751 A	9/1990	Curtis et al.	D346,212 S	4/1994	Hosl
4,959,199 A	9/1990	Brewer	5,301,381 A	4/1994	Klupt
4,961,698 A	10/1990	Vlock	5,302,123 A	4/1994	Bechard
4,966,551 A	10/1990	Betush	5,317,691 A	5/1994	Traeger
4,969,874 A	11/1990	Michel et al.	5,321,865 A	6/1994	Kaesar
4,973,246 A	11/1990	Black	5,331,704 A	7/1994	Rosen et al.
4,973,247 A	11/1990	Varnes et al.	D349,558 S	8/1994	Albers
4,973,250 A	11/1990	Milman	5,344,317 A	9/1994	Pacher et al.
4,975,054 A	12/1990	Esrock	5,346,677 A	9/1994	Risk
			D351,892 S	10/1994	Wolf et al.
			5,360,338 A	11/1994	Waggoner
			5,368,548 A	11/1994	Jousson
			5,370,534 A	12/1994	Wolf et al.

(56)

## References Cited

## U.S. PATENT DOCUMENTS

D354,168	S	1/1995	Hartwein	6,030,215	A	2/2000	Ellion et al.
D354,559	S	1/1995	Knute	6,038,960	A	3/2000	Fukushima et al.
5,378,149	A	1/1995	Stropko	6,039,180	A	3/2000	Grant
5,380,201	A	1/1995	Kawata	6,047,429	A	4/2000	Wu
D356,864	S	3/1995	Woog	D424,181	S	5/2000	Caplow
5,399,089	A	3/1995	Eichman et al.	D425,615	S	5/2000	Bachman et al.
D358,883	S	5/1995	Vos	D425,981	S	5/2000	Bachman et al.
5,456,672	A	10/1995	Diederich et al.	6,056,710	A	5/2000	Bachman et al.
5,465,445	A	11/1995	Yeh	D426,633	S	6/2000	Bachman et al.
5,467,495	A	11/1995	Boland et al.	6,089,865	A	7/2000	Edgar
5,468,148	A	11/1995	Ricks	6,116,866	A	9/2000	Tomita et al.
5,470,305	A	11/1995	Arnett et al.	6,120,755	A	9/2000	Jacobs
5,474,450	A	12/1995	Chronister	6,124,699	A	9/2000	Suzuki et al.
5,474,451	A	12/1995	Dalrymple et al.	D434,500	S	11/2000	Pollock et al.
5,476,379	A	12/1995	Disel	6,159,006	A	12/2000	Cook et al.
5,484,281	A	1/1996	Renow et al.	6,164,967	A	12/2000	Sale et al.
5,487,877	A	1/1996	Choi	D435,905	S	1/2001	Bachman et al.
5,490,779	A	2/1996	Malmin	D437,049	S	1/2001	Hartwein
5,505,916	A	4/1996	Berry, Jr.	6,193,512	B1	2/2001	Wallace
D369,656	S	5/1996	Vos	6,193,932	B1	2/2001	Wu et al.
D370,125	S	5/1996	Craft et al.	6,199,239	B1	3/2001	Dickerson
5,525,058	A	6/1996	Gallant et al.	6,200,134	B1	3/2001	Kovac
5,526,841	A	6/1996	Detsch et al.	D439,781	S	4/2001	Spore
5,540,587	A	7/1996	Malmin	6,217,835	B1	4/2001	Riley et al.
5,547,374	A	8/1996	Coleman	D441,861	S	5/2001	Haffliger
D373,631	S	9/1996	Maeda et al.	6,233,773	B1	5/2001	Karge et al.
5,554,014	A	9/1996	Becker	6,234,205	B1	5/2001	D'Amelio et al.
5,554,025	A	9/1996	Kinsel	6,237,178	B1	5/2001	Krammer et al.
5,556,001	A	9/1996	Weissman et al.	6,247,929	B1	6/2001	Bachman et al.
5,564,629	A	10/1996	Weissman et al.	6,280,190	B1	8/2001	Hoffman
D376,893	S	12/1996	Gornet	D448,236	S	9/2001	Murray
D377,091	S	12/1996	Scott, Sr.	6,293,792	B1	9/2001	Hanson
5,613,259	A	3/1997	Craft et al.	D449,884	S	10/2001	Tobin et al.
5,616,028	A	4/1997	Hafele et al.	D453,453	S	2/2002	Lun
5,626,472	A	5/1997	Pennetta	D455,201	S	4/2002	Jones
5,634,791	A	6/1997	Matsuura et al.	D455,203	S	4/2002	Jones
5,636,987	A	6/1997	Serfaty	6,363,565	B1	4/2002	Paffrath
5,640,735	A	6/1997	Manning	D457,949	S	5/2002	Krug
D382,407	S	8/1997	Craft et al.	D464,799	S	10/2002	Crossman et al.
5,653,591	A	8/1997	Loge	6,468,482	B1	10/2002	Frieze et al.
5,659,995	A	8/1997	Hoffman	6,475,173	B1	11/2002	Bachman et al.
5,667,483	A	9/1997	Santos	6,485,451	B1	11/2002	Roberts et al.
D386,576	S	11/1997	Wang et al.	6,497,375	B1	12/2002	Srinath et al.
5,683,192	A	11/1997	Kilfoil	6,497,572	B2	12/2002	Hood et al.
5,685,829	A	11/1997	Allen	6,502,584	B1	1/2003	Fordham
5,685,851	A	11/1997	Murphy et al.	D470,660	S	2/2003	Schaber
5,697,784	A	12/1997	Hafele et al.	6,558,344	B2	5/2003	McKinnon et al.
D388,612	S	1/1998	Stutzer et al.	6,561,808	B2	5/2003	Neuberger et al.
D388,613	S	1/1998	Stutzer et al.	D475,346	S	6/2003	McCurrach et al.
D389,091	S	1/1998	Dickinson	D476,743	S	7/2003	D'Silva
5,709,545	A	1/1998	Johnston et al.	6,589,477	B1	7/2003	Frieze et al.
D390,934	S	2/1998	McKeone	6,602,071	B1	8/2003	Ellion et al.
5,716,007	A	2/1998	Nottingham et al.	6,632,091	B1	10/2003	Cise et al.
5,718,668	A	2/1998	Arnett et al.	D482,451	S	11/2003	Page et al.
5,746,595	A	5/1998	Ford	6,640,999	B2	11/2003	Peterson
5,749,726	A	5/1998	Kinsel	6,647,577	B2	11/2003	Tam
5,759,502	A	6/1998	Spencer et al.	6,659,674	B2	12/2003	Carlucci et al.
5,779,471	A	7/1998	Tseng et al.	6,669,059	B2	12/2003	Mehta
5,779,654	A	7/1998	Foley et al.	D484,971	S	1/2004	Hartwein
5,795,153	A	8/1998	Rechmann	6,681,418	B1	1/2004	Bierend
5,796,325	A	8/1998	Lundell et al.	D486,573	S	2/2004	Callaghan et al.
5,833,065	A	11/1998	Burgess	6,689,078	B1	2/2004	Rehkemper et al.
5,836,030	A	11/1998	Hazeu et al.	6,699,208	B2	3/2004	Bachman et al.
D402,744	S	12/1998	Zuege	6,719,561	B2	4/2004	Gugel et al.
5,851,079	A	12/1998	Horstman et al.	D489,183	S	5/2004	Akahori et al.
D403,511	S	1/1999	Serbinski	6,739,782	B1	5/2004	Rehkemper et al.
D406,334	S	3/1999	Rosenthal et al.	6,740,053	B2	5/2004	Kaplowitz
5,876,201	A	3/1999	Wilson et al.	D490,899	S	6/2004	Gagnon
D408,511	S	4/1999	Allen et al.	D491,728	S	6/2004	Jimenez
5,901,397	A	5/1999	Hafele et al.	D492,996	S	7/2004	Rehkemper et al.
5,934,902	A	8/1999	Abahusayn	6,761,324	B2	7/2004	Chang
D413,975	S	9/1999	Maeda	6,766,549	B2	7/2004	Klupt
D416,999	S	11/1999	Miyamoto	D495,142	S	8/2004	Berde
D417,082	S	11/1999	Classen et al.	D495,143	S	8/2004	Berde
5,993,402	A	11/1999	Sauer et al.	6,779,216	B2	8/2004	Davies et al.
				6,783,004	B1	8/2004	Rinner
				6,783,505	B1	8/2004	Lai
				6,796,796	B2	9/2004	Segal
				D498,643	S	11/2004	Pryor

(56)

**References Cited**

U.S. PATENT DOCUMENTS

6,814,259 B1	11/2004	Foster et al.	D670,958 S	11/2012	Picozza et al.
D499,885 S	12/2004	Xi	D671,637 S	11/2012	Gebski et al.
6,835,181 B2	12/2004	Hippensteel	D672,018 S	12/2012	Bucher
D500,599 S	1/2005	Callaghan	8,366,024 B2	2/2013	Leber et al.
6,837,708 B2	1/2005	Chen et al.	8,403,577 B2	3/2013	Khoshnevis
6,884,069 B2	4/2005	Goldman	8,403,665 B2	3/2013	Thomas et al.
6,902,337 B1	6/2005	Kuo	8,408,483 B2	4/2013	Boyd et al.
6,907,879 B2	6/2005	Drinan et al.	D686,311 S	7/2013	Mori
D509,585 S	9/2005	Kling et al.	D694,378 S	11/2013	Bates
D513,638 S	1/2006	Pan	D694,398 S	11/2013	Taylor
D515,215 S	2/2006	Wang	D700,343 S	2/2014	Liu
D522,652 S	6/2006	Massey	D702,819 S	4/2014	Garland
7,080,980 B2	7/2006	Klupt	D702,821 S	4/2014	Garland
D529,661 S	10/2006	Schmidt	D707,350 S	6/2014	Woodard
D530,010 S	10/2006	Luetttgen et al.	D709,183 S	7/2014	Kemlein
7,117,555 B2	10/2006	Fattori et al.	D714,929 S	10/2014	Kim et al.
D532,570 S	11/2006	Vizcarra	D714,930 S	10/2014	Kim et al.
7,131,838 B2	11/2006	Suzuki et al.	D717,412 S	11/2014	Bucher
D533,720 S	12/2006	Vu	D717,427 S	11/2014	Kim
D538,474 S	3/2007	Sheppard et al.	D718,855 S	12/2014	Kim et al.
D548,334 S	8/2007	Izumi	D723,387 S	3/2015	Fath
D550,097 S	9/2007	Lepoitevin	D725,770 S	3/2015	Kim et al.
D553,980 S	10/2007	VerWeyst	D731,640 S	6/2015	Kim et al.
7,276,035 B2	10/2007	Lu	D735,305 S	7/2015	Obara
7,314,456 B2	1/2008	Shaw	D740,936 S	10/2015	Kim et al.
D565,175 S	3/2008	Boyd et al.	D745,329 S	12/2015	Ong
7,344,510 B1	3/2008	Yande	D746,975 S	1/2016	Schenck
D565,713 S	4/2008	Gao	D747,464 S	1/2016	Taylor
7,367,803 B2	5/2008	Egeresi	D754,330 S	4/2016	Kim et al.
D574,952 S	8/2008	Boyd et al.	D756,122 S	5/2016	Taylor
D577,198 S	9/2008	Jimenez	D764,051 S	8/2016	Wang
D577,814 S	9/2008	Seki et al.	D766,423 S	9/2016	Kim et al.
D581,279 S	11/2008	Oates	D772,396 S	11/2016	Kim
7,455,521 B2	11/2008	Fishburne, Jr.	D772,397 S	11/2016	Kim
D581,763 S	12/2008	Post	D778,433 S	2/2017	Li
7,469,440 B2	12/2008	Boland et al.	D780,908 S	3/2017	Ladwig
D585,132 S	1/2009	Pukall	D782,326 S	3/2017	Fath
D588,262 S	3/2009	Pukall	D782,657 S	3/2017	Williams
7,500,584 B2	3/2009	Schutz	D783,810 S	4/2017	Kim
D590,492 S	4/2009	Powell	D784,703 S	4/2017	Grabes
D592,748 S	5/2009	Boulton	9,775,692 B2	10/2017	Thomas et al.
D595,136 S	6/2009	Canamasas Puigbo	D802,119 S	11/2017	Kim
D600,108 S	9/2009	Swan	D802,120 S	11/2017	Boyd
D601,694 S	10/2009	Rocklin	D804,016 S	11/2017	Ladwig
D601,697 S	10/2009	Sobeich et al.	D806,228 S	12/2017	Yan
D603,708 S	11/2009	Handy	D806,229 S	12/2017	Uchida
D608,430 S	1/2010	Slothower	D809,650 S	2/2018	Kim
7,670,141 B2	3/2010	Thomas et al.	D815,274 S	4/2018	Ladwig
7,677,888 B1	3/2010	Halm	D819,196 S	5/2018	Kim
D613,550 S	4/2010	Picozza et al.	9,980,793 B2	5/2018	Wagner
D621,949 S	8/2010	Seki et al.	D822,196 S	7/2018	Kim
D622,928 S	9/2010	Griebel	10,022,207 B2	7/2018	Taylor
D623,376 S	9/2010	Griebel	D851,239 S	6/2019	Chen
D625,406 S	10/2010	Seki et al.	D859,643 S	9/2019	Li
7,814,585 B1	10/2010	Reich	D866,750 S	11/2019	Yan
D629,884 S	12/2010	Stephens	D880,688 S	4/2020	Kim
7,857,623 B2	12/2010	Grez	D881,383 S	4/2020	Chen
7,862,536 B2	1/2011	Chen et al.	D888,936 S *	6/2020	Bondurant ..... D24/111
7,959,597 B2	6/2011	Baker et al.	D902,385 S *	11/2020	Bondurant ..... D24/111
D640,872 S	7/2011	Nanda	D913,486 S *	3/2021	Bondurant ..... D24/111
D648,539 S	11/2011	Wai	2002/0090252 A1	7/2002	Hall et al.
D651,409 S	1/2012	Papenfu	2002/0108193 A1	8/2002	Gruber
D651,805 S	1/2012	Hay	2002/0119415 A1	8/2002	Bailey
D653,340 S	1/2012	Goerge et al.	2002/0152565 A1	10/2002	Klupt
8,113,832 B2	2/2012	Snyder et al.	2003/0060743 A1	3/2003	Chang
D655,380 S	3/2012	Taylor	2003/0098249 A1	5/2003	Rollock
D658,381 S	5/2012	Gebski	2003/0204155 A1	10/2003	Egeresi
D658,538 S	5/2012	Korzeniowski	2003/0213075 A1	11/2003	Hui et al.
8,220,726 B2	7/2012	Qiu et al.	2004/0045107 A1	3/2004	Egeresi
D666,912 S	9/2012	Kawai	2004/0076921 A1	4/2004	Gofman et al.
8,256,979 B2	9/2012	Hilscher et al.	2004/0122377 A1	6/2004	Fischer et al.
D668,339 S	10/2012	Luoto	2004/0126730 A1	7/2004	Panagotacos
D669,169 S	10/2012	Washington et al.	2004/0209222 A1	10/2004	Snyder
8,297,534 B2	10/2012	Li et al.	2005/0049620 A1	3/2005	Chang
D670,373 S	11/2012	Taylor	2005/0064371 A1	3/2005	Soukos et al.
			2005/0101894 A1	5/2005	Hippensteel
			2005/0102773 A1	5/2005	Obermann et al.
			2005/0144745 A1	7/2005	Russell
			2005/0177079 A1	8/2005	Pan

(56)

References Cited

U.S. PATENT DOCUMENTS

2005/0271531	A1	12/2005	Brown et al.
2006/0008373	A1	1/2006	Schutz
2006/0010624	A1	1/2006	Cleland
2006/0026784	A1	2/2006	Moskovich et al.
2006/0057539	A1	3/2006	Sodo
2006/0078844	A1	4/2006	Goldman et al.
2006/0079818	A1	4/2006	Yande
2007/0082316	A1	4/2007	Zhadanov et al.
2007/0082317	A1	4/2007	Chuang
2007/0113360	A1	5/2007	Tsai
2007/0202459	A1	8/2007	Boyd et al.
2007/0203439	A1	8/2007	Boyd et al.
2007/0254260	A1	11/2007	Alden
2008/0008979	A1	1/2008	Thomas
2008/0189951	A1	8/2008	Molema et al.
2008/0213719	A1	9/2008	Giniger et al.
2009/0070949	A1	3/2009	Sagel et al.
2009/0082706	A1	3/2009	Shaw
2009/0124945	A1	5/2009	Reich et al.
2009/0163839	A1	6/2009	Alexander
2009/0188780	A1	7/2009	Watanabe
2009/0281454	A1	11/2009	Baker et al.
2010/0010524	A1	1/2010	Barrington
2010/0015566	A1	1/2010	Shaw
2010/0190132	A1	7/2010	Taylor et al.
2010/0239998	A1	9/2010	Snyder et al.
2010/0261134	A1	10/2010	Boyd et al.
2010/0261137	A1	10/2010	Boyd et al.
2010/0326536	A1	12/2010	Nan
2010/0330527	A1	12/2010	Boyd et al.
2011/0027749	A1	2/2011	Syed
2011/0076090	A1	3/2011	Wu et al.
2011/0097683	A1	4/2011	Boyd et al.
2011/0139826	A1	6/2011	Hair et al.
2011/0144588	A1	6/2011	Taylor
2011/0184341	A1	7/2011	Baker et al.
2011/0307039	A1	12/2011	Cornell
2012/0021374	A1	1/2012	Cacka et al.
2012/0045730	A1	2/2012	Snyder et al.
2012/0064480	A1	3/2012	Hegemann
2012/0077145	A1	3/2012	Tsurukawa
2012/0141952	A1	6/2012	Snyder
2012/0179118	A1	7/2012	Hair
2012/0189976	A1	7/2012	McDonough et al.
2012/0266396	A1	10/2012	Leung
2012/0277677	A1	11/2012	Taylor et al.
2012/0277678	A1	11/2012	Taylor et al.
2012/0279002	A1	11/2012	Sokol et al.
2012/0295220	A1	11/2012	Thomas et al.
2013/0295520	A1	11/2013	Hsieh
2014/0106296	A1	4/2014	Woodard et al.
2014/0193774	A1	7/2014	Snyder et al.
2014/0259474	A1	9/2014	Sokol et al.
2014/0272769	A1	9/2014	Luetttgen et al.
2014/0272782	A1	9/2014	Luetttgen et al.
2014/0352088	A1	12/2014	Wu
2015/0004559	A1	1/2015	Luetttgen et al.
2015/0147717	A1	5/2015	Taylor et al.
2015/0173850	A1	6/2015	Garrigues et al.
2015/0182319	A1	7/2015	Wagner et al.
2016/0151133	A1	6/2016	Luetttgen
2017/0318951	A1	11/2017	Taghvai
2019/0201175	A1	7/2019	Li
2019/0358006	A1	11/2019	Aria Haber
2020/0268490	A1*	8/2020	Bondurant ..... A61C 17/024

FOREIGN PATENT DOCUMENTS

CN	204049908	12/2014
DE	1466963	5/1969
DE	2019003	11/1971
DE	2409752	9/1975
DE	2545936	4/1977
DE	2714876	10/1978
DE	2910982	2/1980

EP	0023672	7/1980
EP	0515983	2/1992
FR	2556954	6/1985
FR	2654627	5/1991
GB	838564	6/1960
GB	1182031	2/1970
GB	2018605	10/1979
JP	2-134150	5/1990
JP	2009-39455	2/2009
KR	20120126265	11/2012
WO	WO95/016404	6/1995
WO	WO01/10327	2/2001
WO	WO04/021958	3/2004
WO	WO04/039205	5/2004
WO	WO2004/060259	7/2004
WO	WO2004/062518	7/2004
WO	WO2008/070730	6/2008
WO	WO2008/157585	12/2008
WO	WO2013/124691	8/2013

OTHER PUBLICATIONS

The Right Tool, Electron Fusion Devices, Inc., 2 pages, at least as early as Feb. 1991.

Japanese Packaging, 2 pages, at least as early as Dec. 2002.

Japanese Instruction Brochure, 20 pages, at least as early as Dec. 2002.

Brochure: Woog International, "You have a 98% chance of getting gum disease. Unless you read this.", Lancaster, Pennsylvania, 5 pages, Feb. 1987.

Brochure: Woog International, "We put the control of home dental care back into the hands of the professional", Lancaster, Pennsylvania, 2 pages, Feb. 1987.

Brochure: Woog International, "Products at a Glance: Home Dental Care System" Woog Orajet, 3 pages, at least as early as Dec. 18, 1998.

Website: [http://www.just4teeth.com/product/Panasonic/Panasonic\\_Portable\\_Irrigator.htm](http://www.just4teeth.com/product/Panasonic/Panasonic_Portable_Irrigator.htm), 2 pages, at least as early as Jun. 20, 2003.

Website: [http://www.videodirectstore.com/store/merchant.mv?Screen=PROD&Product\\_Code=EW1'](http://www.videodirectstore.com/store/merchant.mv?Screen=PROD&Product_Code=EW1') . . . ", 2 pages, at least as early as Jun. 20, 2003.

Website: <http://products.consumerguide.com/cp/family/review/index.cfm/id/18742>, 2 pages, at least as early as Jun. 20, 2003.

Website: <http://www.racekarteng.com/images/walbroparts.gif> and <http://www.muller.net/mullermachine/docs/walbro1.html>, 4 pages, at least as early as Jun. 20, 2003.

European Search Report, EPO Application No. 07250799.9, dated Jul. 5, 2007.

European Search Report, EPO Application No. 07252693.2, 14 pages, dated Apr. 28, 2008.

European Examination Report, EPO Application No. 07250799.9, dated Feb. 5, 2009.

International Search Report, Application No. PCT/US2010/028180, 2 pages, dated May 18, 2010.

International Search Report, PCT/US2010/060800, 2 pages, dated Feb. 11, 2011.

International Search Report, PCT/US2011/052795, 10 pages, dated Jan. 17, 2012.

Waterpik SinuSense Website: <http://www.insightsbyapril.com/2012/03/waterpik-natural-remedy-for-sinus.html>, 8 pages, retrieved on May 31, 2012.

Website: <https://www.waterpik.com/about-us/>, obtained Jul. 7, 2015, 3 pages.

Waterpik WP 350W Oral Irrigator. Dentist.net. Copyright date 2013. Date accessed: Mar. 30, 2017, 2 pages <<http://www.dentalhoo.com/waterpik-wp350.asp>>.

IPik Portable Oral Irrigator. AliExpress. Date reviewed: Oct. 5, 2016. <[https://www.aliexpress.com/...e-Oral-Care-Product-Nasal-Irrigator-Tooth-Flosser-Water/1525541997.html?aff\\_platform=aaf&cpt=1490913714609&sk=yfAeyJa&aff\\_trace\\_key=c5a300c4f02e46d08c042f5292e1762f-1490913714609-07517-yfAeyJa](https://www.aliexpress.com/...e-Oral-Care-Product-Nasal-Irrigator-Tooth-Flosser-Water/1525541997.html?aff_platform=aaf&cpt=1490913714609&sk=yfAeyJa&aff_trace_key=c5a300c4f02e46d08c042f5292e1762f-1490913714609-07517-yfAeyJa)>, 18 pages.

(56)

**References Cited**

OTHER PUBLICATIONS

Brite Leafs Professional Portable 2-in-1 Nasal Sinus & Oral Irrigator. Brite Leafs. Copyright date 2012, <<http://www.briteleafs.com/product6.html>>, 1 page.

AliExpress. Date reviewed: Jan. 12, 2017. <<https://www.aliexpress.com/item/Cordless-Water-Floss-Portable-Oral-Irrigator-Dental-Water-Flosser-Waterpic-Whatpick-Dental-Water-Pic-Whater-Pick/32769416341.html?spm=2114.40010308.4.75.Owuzfj>>.

\* cited by examiner

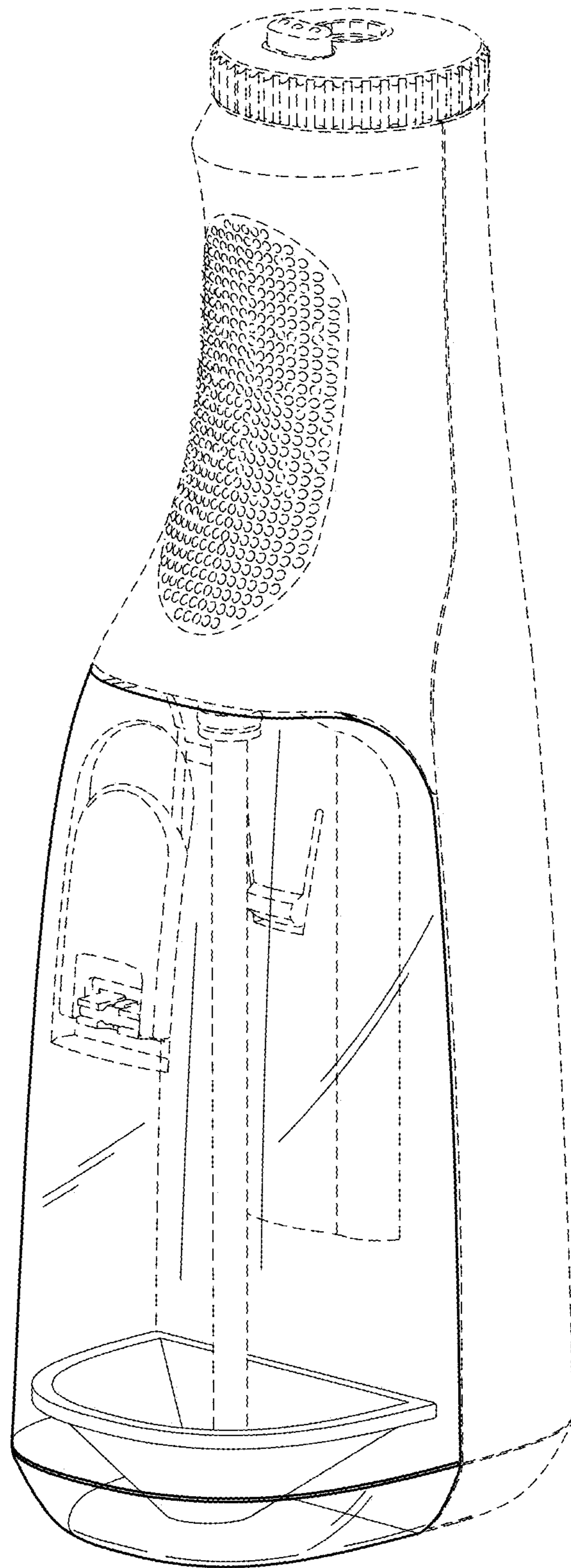


FIG. 1



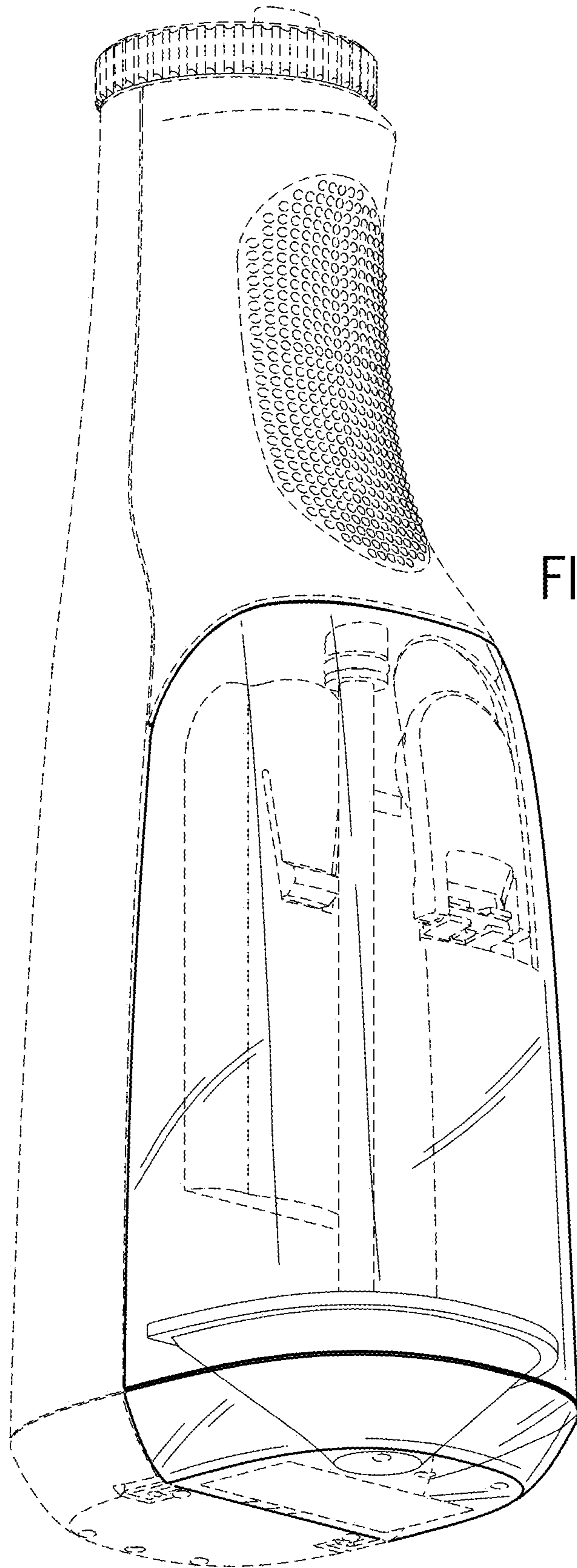


FIG. 2

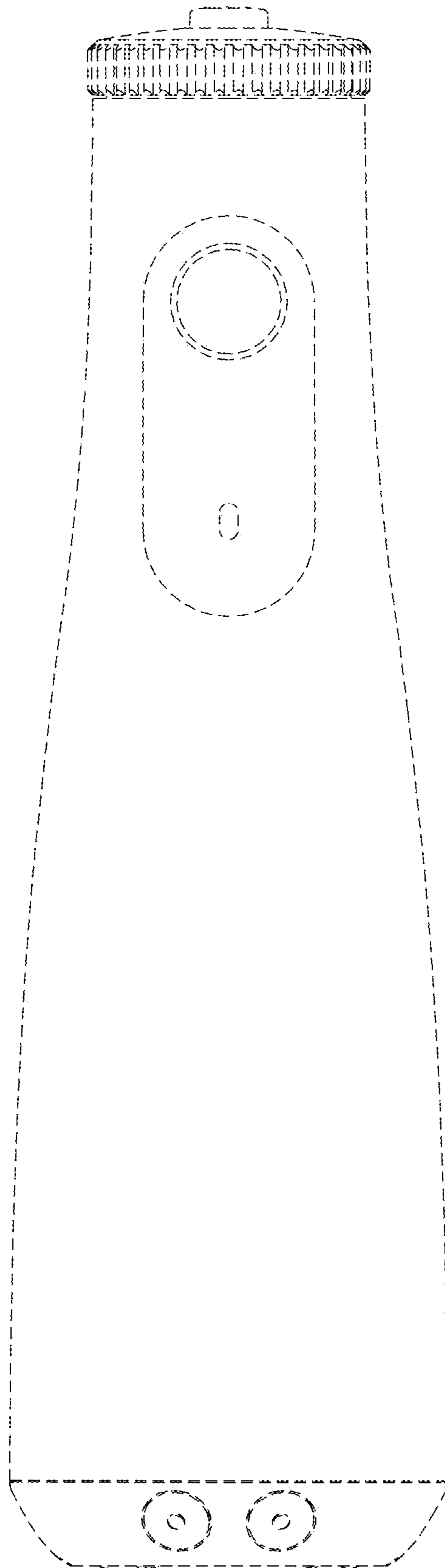


FIG. 3

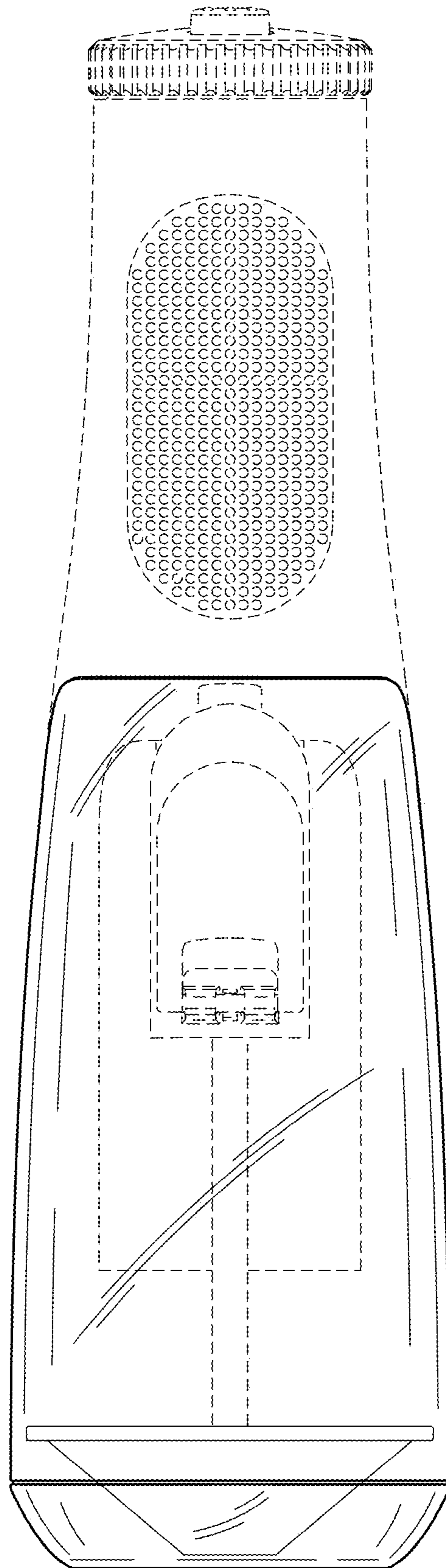


FIG. 4

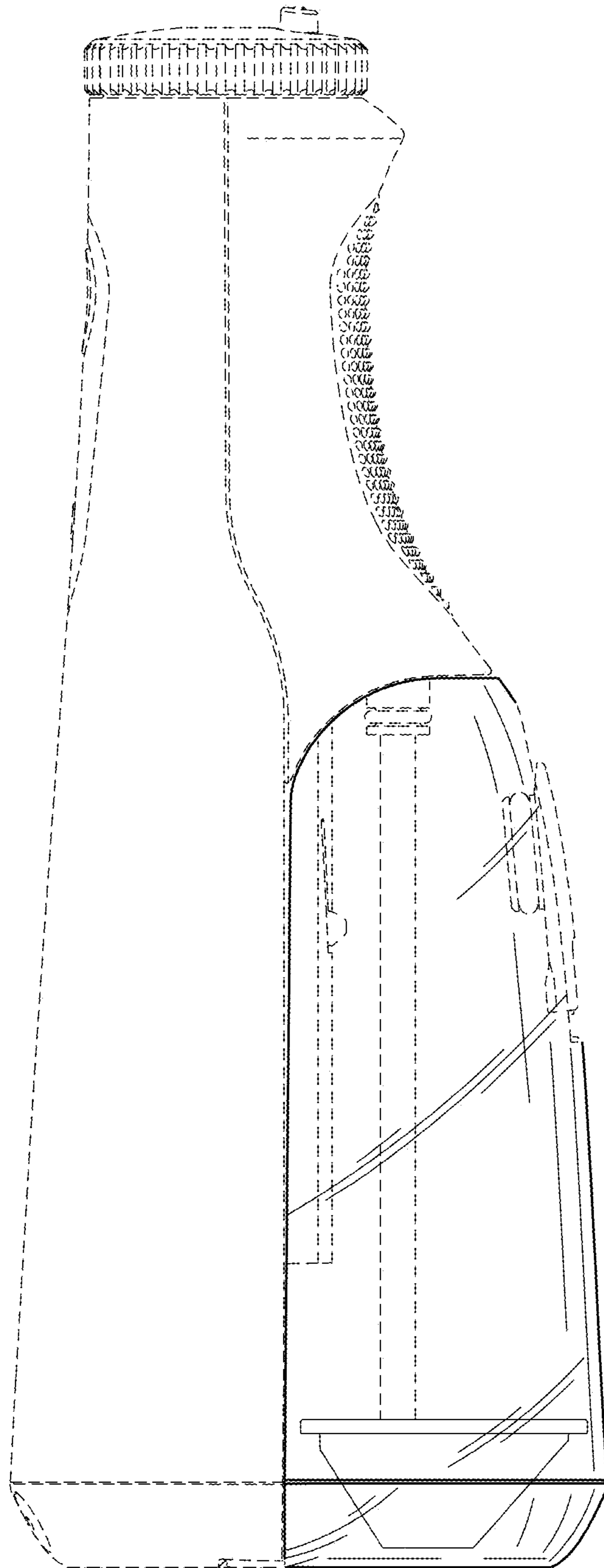


FIG. 5

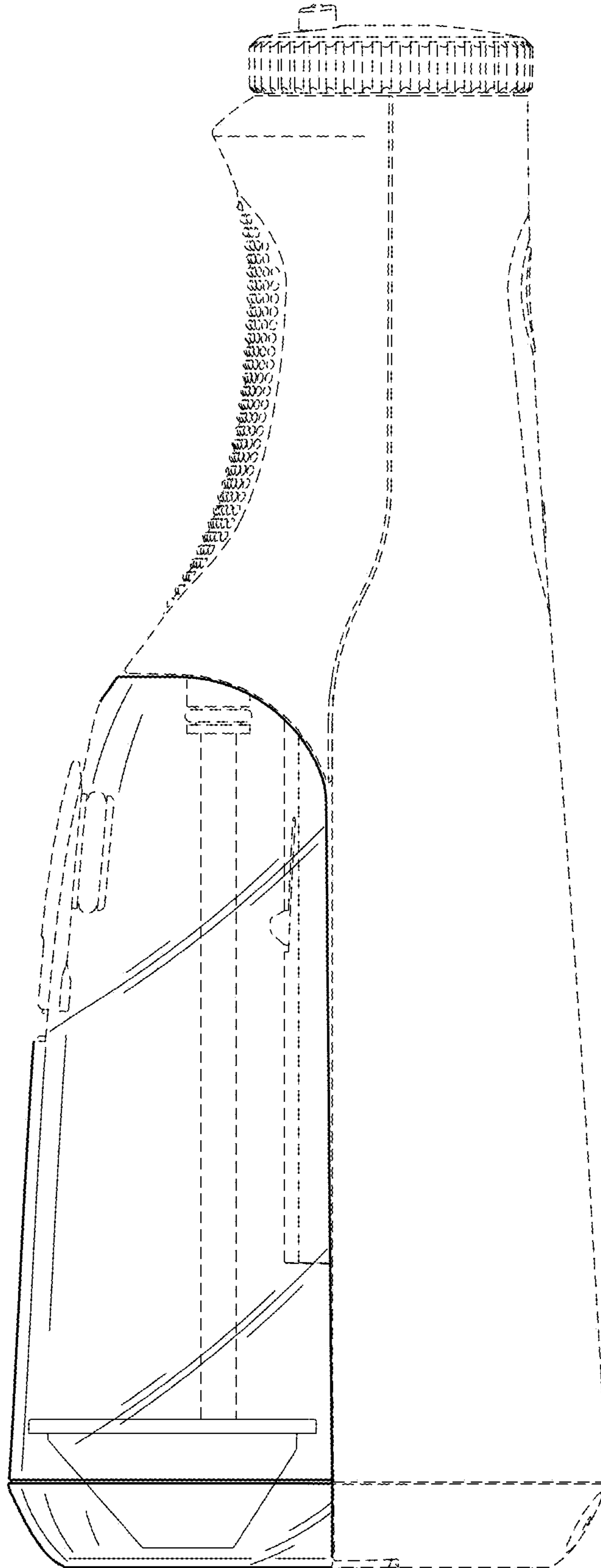


FIG. 6

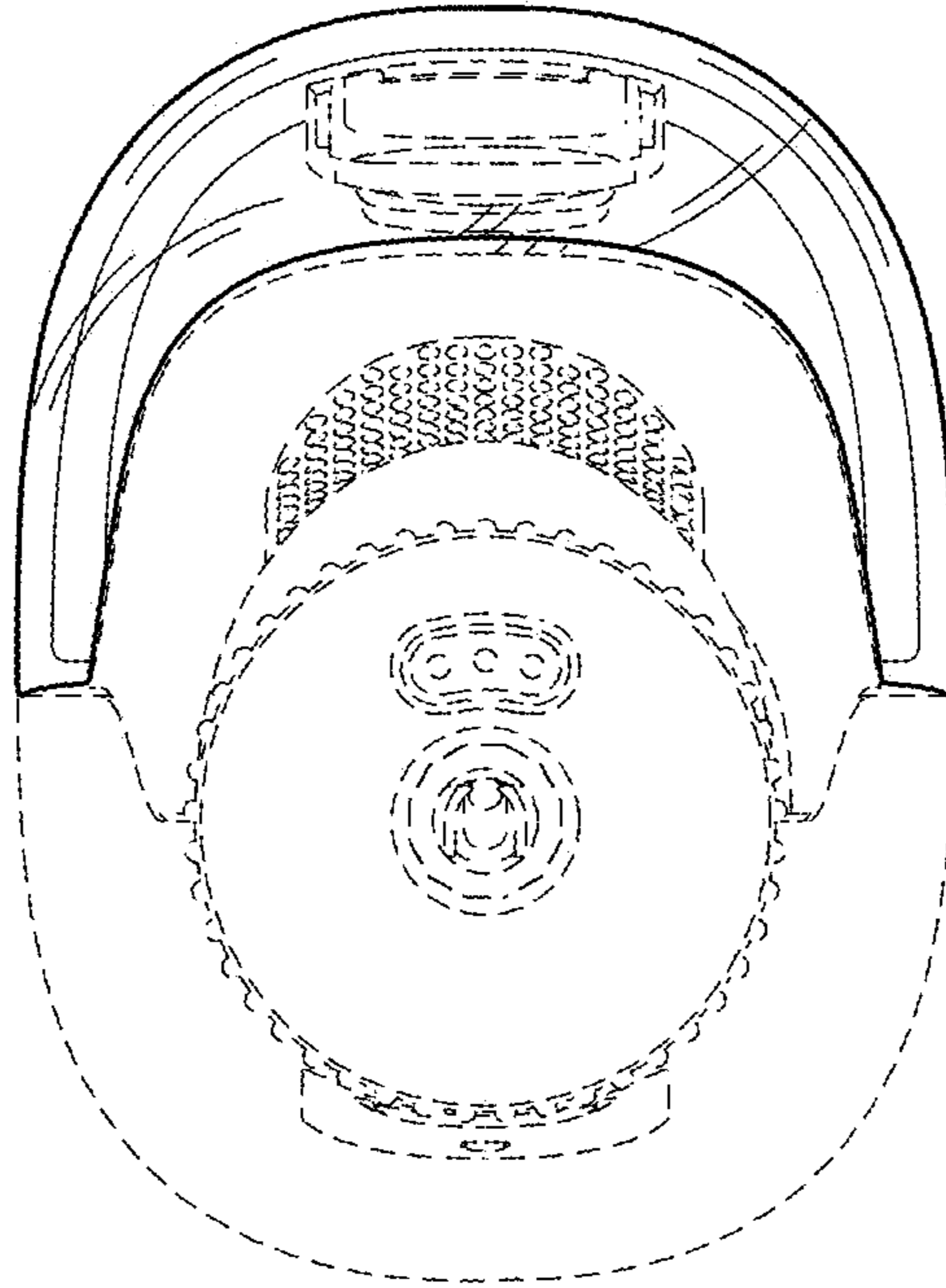


FIG. 7

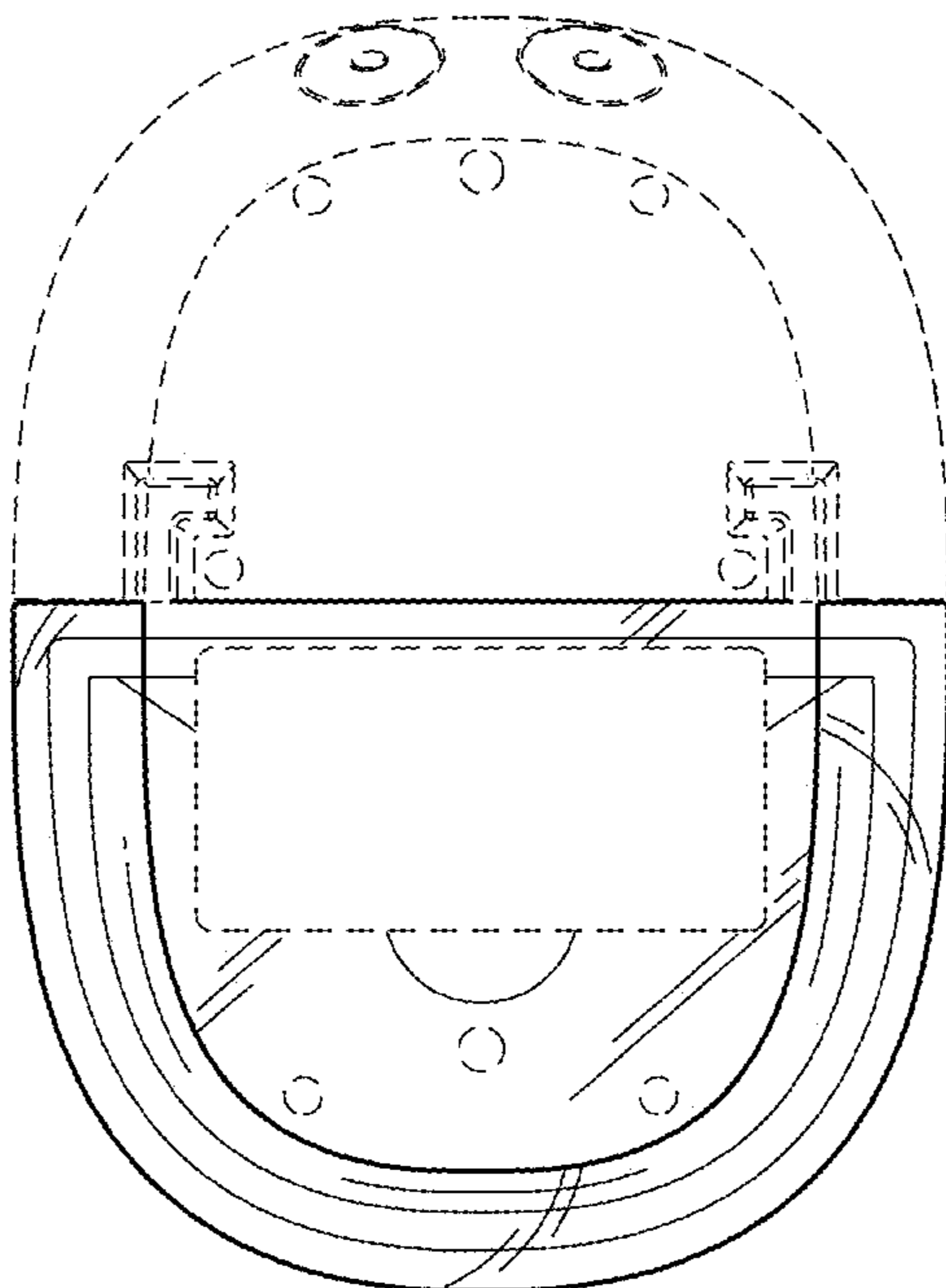


FIG. 8