



US00D945597S

(12) **United States Design Patent**
Morris et al.

(10) **Patent No.:** **US D945,597 S**
(45) **Date of Patent:** **** Mar. 8, 2022**

- (54) **CONSUMABLE SHAPE**
- (71) Applicant: **1769474 Alberta Ltd.**, Edmonton (CA)
- (72) Inventors: **Shane Henry Desmond Morris**, Alberta (CA); **Naresh Talwar**, Edmonton (CA); **Darren Anthony Karasiuk**, Edmonton (CA)
- (73) Assignee: **1769474 ALBERTA LTD.**, Edmonton (CA)

(**) Term: **15 Years**

(21) Appl. No.: **29/710,640**

(22) Filed: **Oct. 24, 2019**

(51) **LOC (13) Cl.** **28-01**

(52) **U.S. Cl.**
USPC **D24/101**

(58) **Field of Classification Search**
USPC D1/100–130, 199; 426/94, 104, 138, 426/143, 144, 274, 283, 303, 391, 512, 426/514, 518, 549; D6/597, 601; D7/675, 560, 566, 568, 672; D9/451, D9/643, 707, 710, 715; D28/8.1, 8.2; D21/385, 386, 707; D24/101–104
CPC . A21C 11/12; A22C 13/0013; A21D 13/0016; A21D 13/0022; A21D 13/0025; A21D 13/0029; A21D 13/0074; A23G 3/343; A23G 3/36; A23G 3/28; A23G 3/54; A23G 4/20; A23G 9/48; A61K 9/2072; A61K 9/2095; A23L 1/005; A23L 1/0052; A23L 1/0067; A23L 1/16; A23L 1/1641; A23L 1/217; A23V 2002/00

See application file for complete search history.

(56) **References Cited**

U.S. PATENT DOCUMENTS

- D127,516 S * 5/1941 Chernow D18/24
- 2,454,632 A * 11/1948 Cohn G09B 11/04
- 434/159

- D296,018 S * 5/1988 McDonald D1/102
- D300,879 S * 4/1989 Mercer D24/102
- D309,506 S * 7/1990 Shurkus D24/103
- D314,442 S * 2/1991 Shott D24/101
- D327,030 S * 6/1992 Young D11/61
- D388,818 S * 1/1998 Bajic D18/26
- D427,645 S * 7/2000 Savage D21/440
- D439,654 S * 3/2001 Hite D24/101
- D556,080 S * 11/2007 Day D11/86
- D627,395 S * 11/2010 Weaver D19/59
- D793,901 S * 8/2017 Elia D11/157

* cited by examiner

Primary Examiner — Katie Jane Stofko

(74) *Attorney, Agent, or Firm* — Christensen O'Connor Johnson Kindness PLLC

(57) **CLAIM**

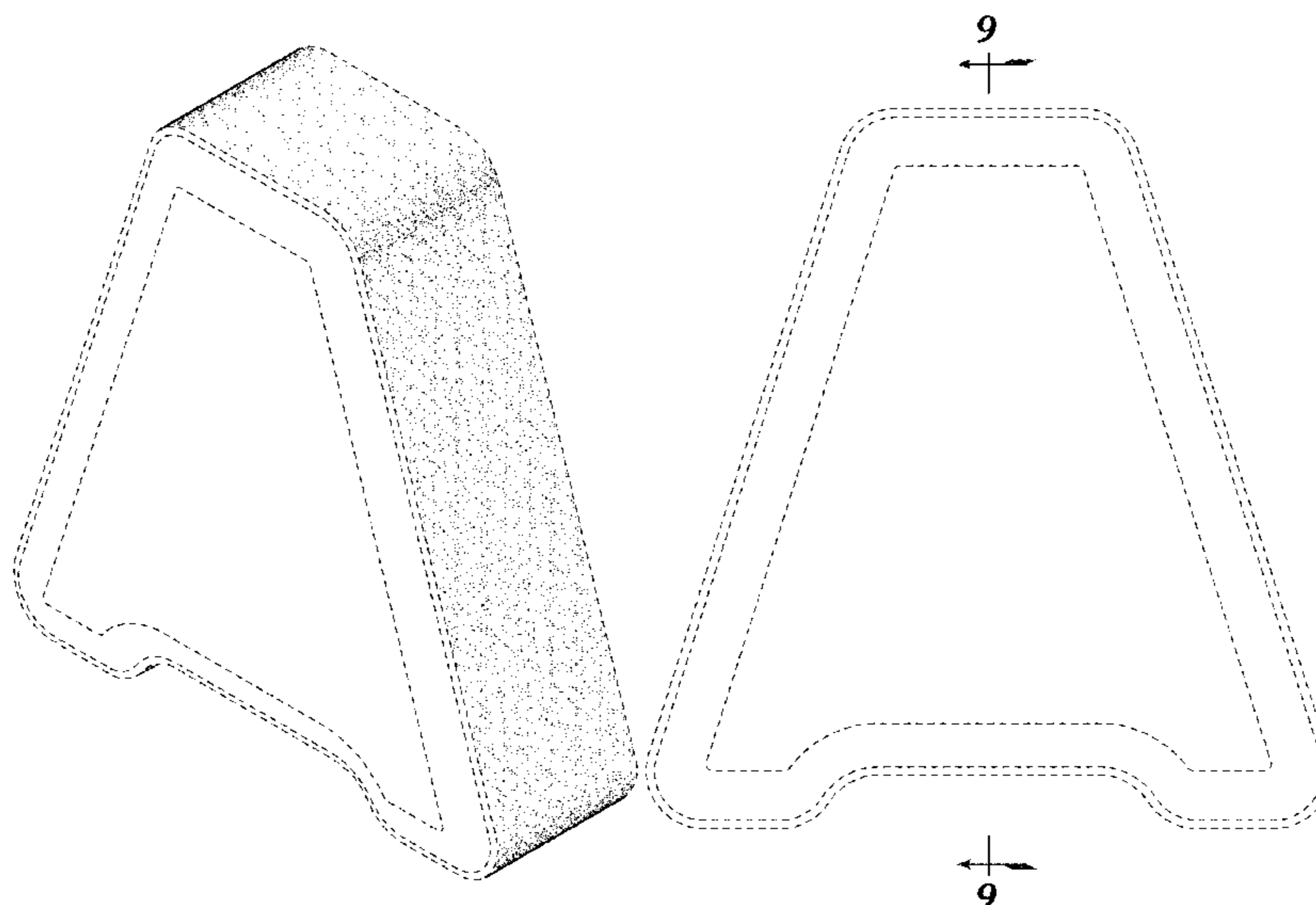
The ornamental design for a consumable shape, as shown and described.

DESCRIPTION

FIG. 1 is a front, top, right perspective view of a consumable shape in accordance with our new design;
 FIG. 2 is a rear, bottom, left perspective view thereof;
 FIG. 3 is a front elevation view thereof;
 FIG. 4 is a rear elevation view thereof;
 FIG. 5 is a top plan view thereof;
 FIG. 6 is a bottom plan view thereof;
 FIG. 7 is a left elevation view thereof;
 FIG. 8 is a right elevation view thereof; and,
 FIG. 9 cross-sectionally illustrates exterior surfaces through line 9-9 in FIG. 3.

The broken lines shown in the FIGs. illustrate portions of the consumable shape that form no part of the claimed design.

1 Claim, 7 Drawing Sheets



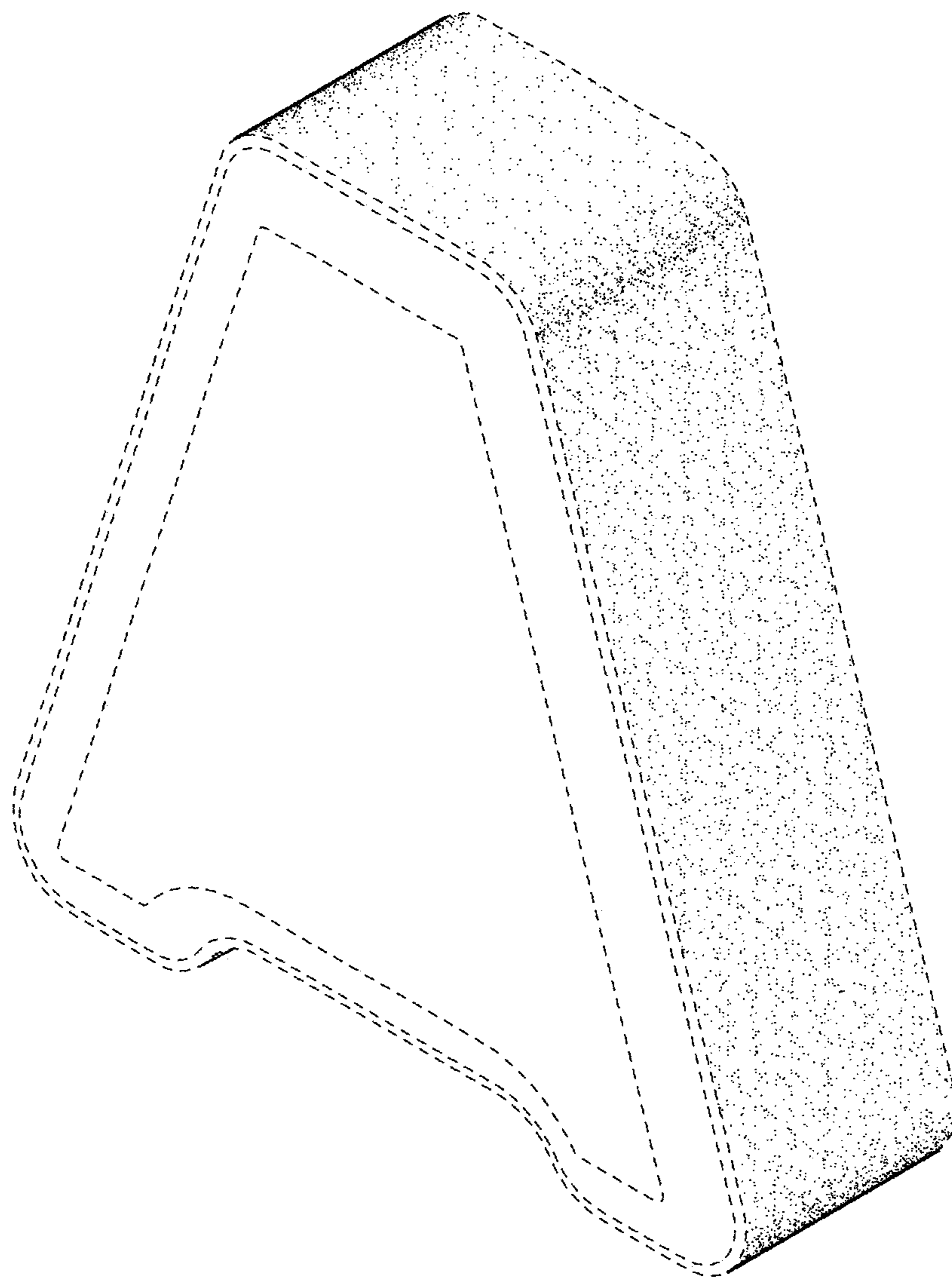


FIG. 1

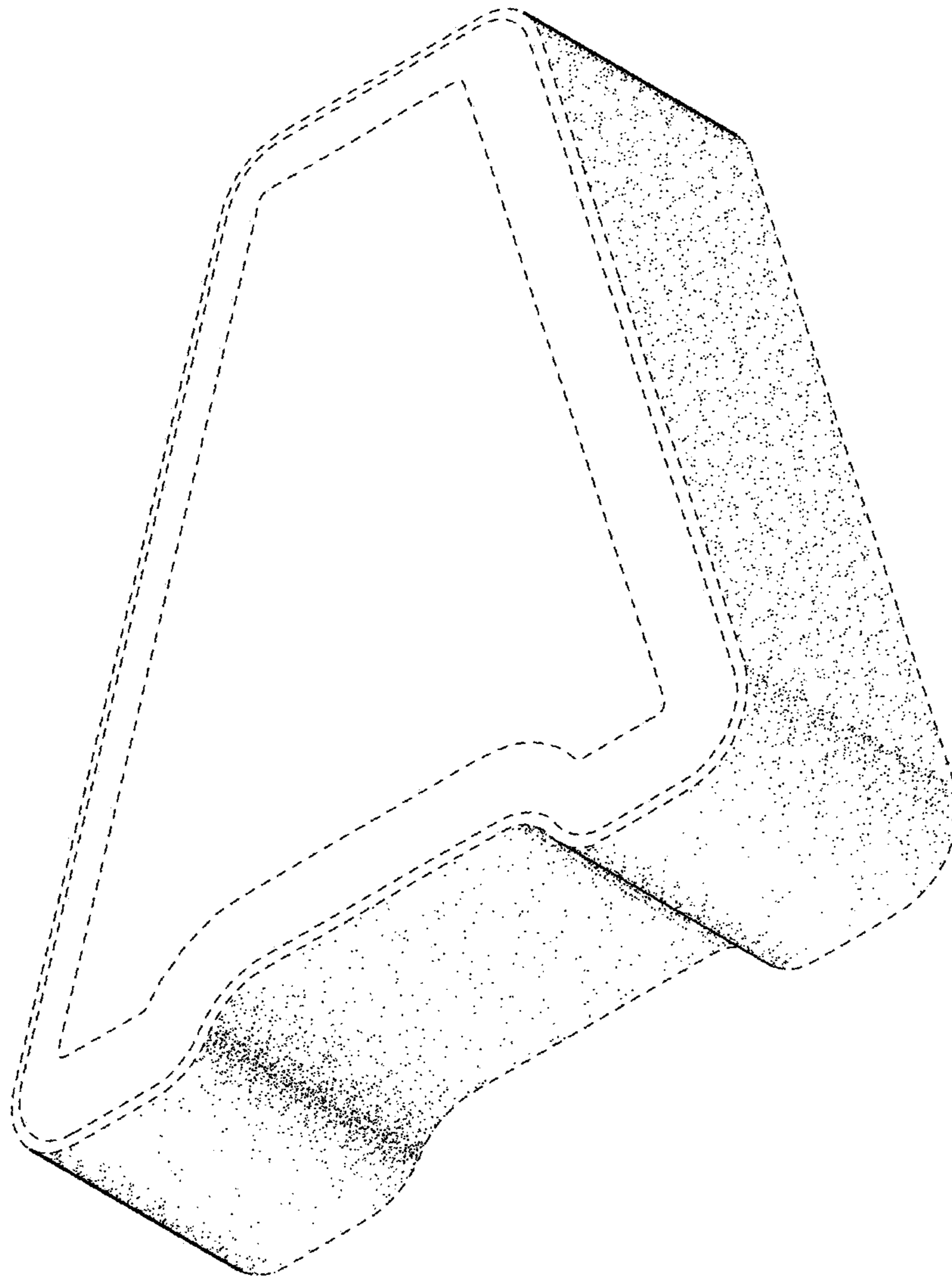


FIG. 2

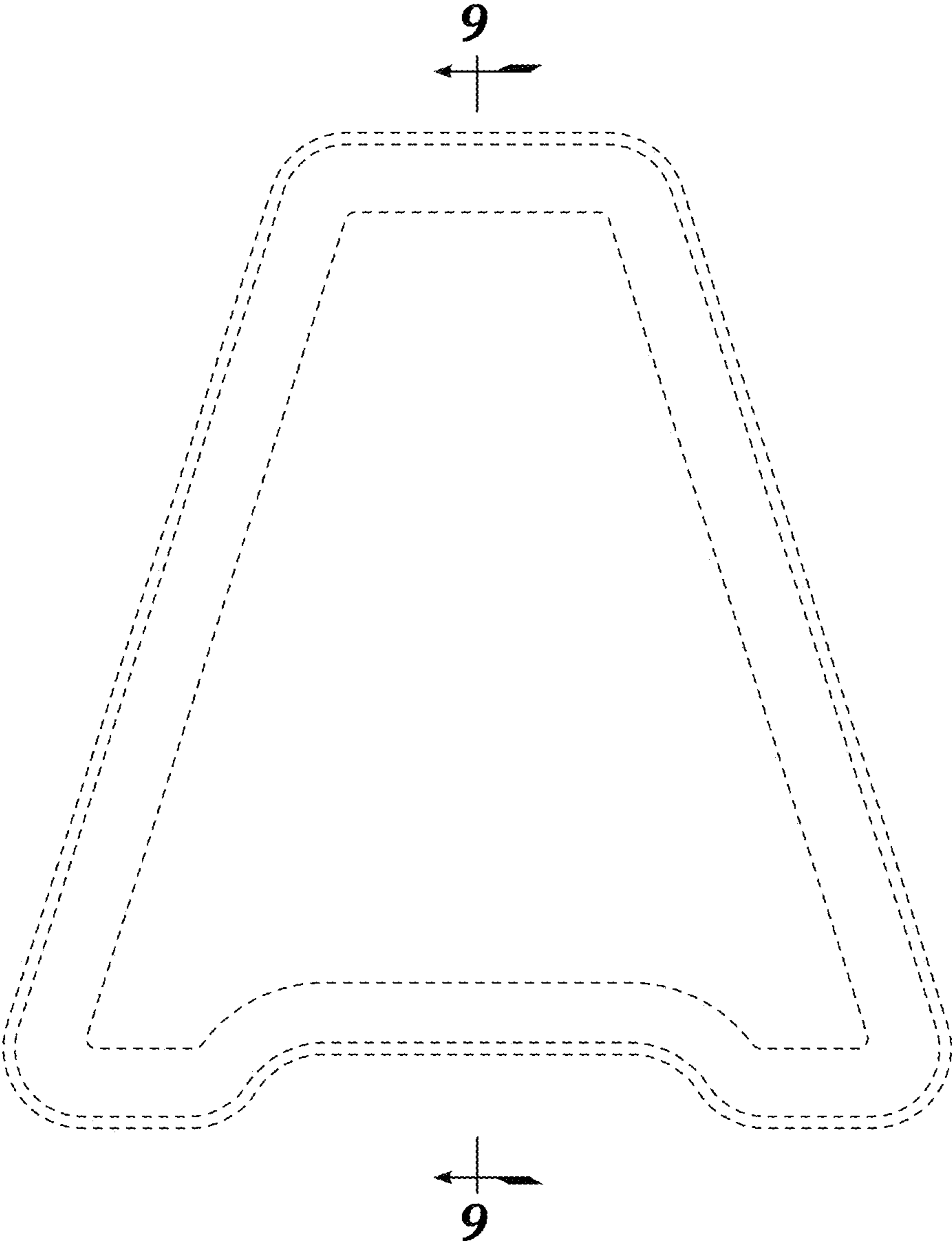


FIG. 3

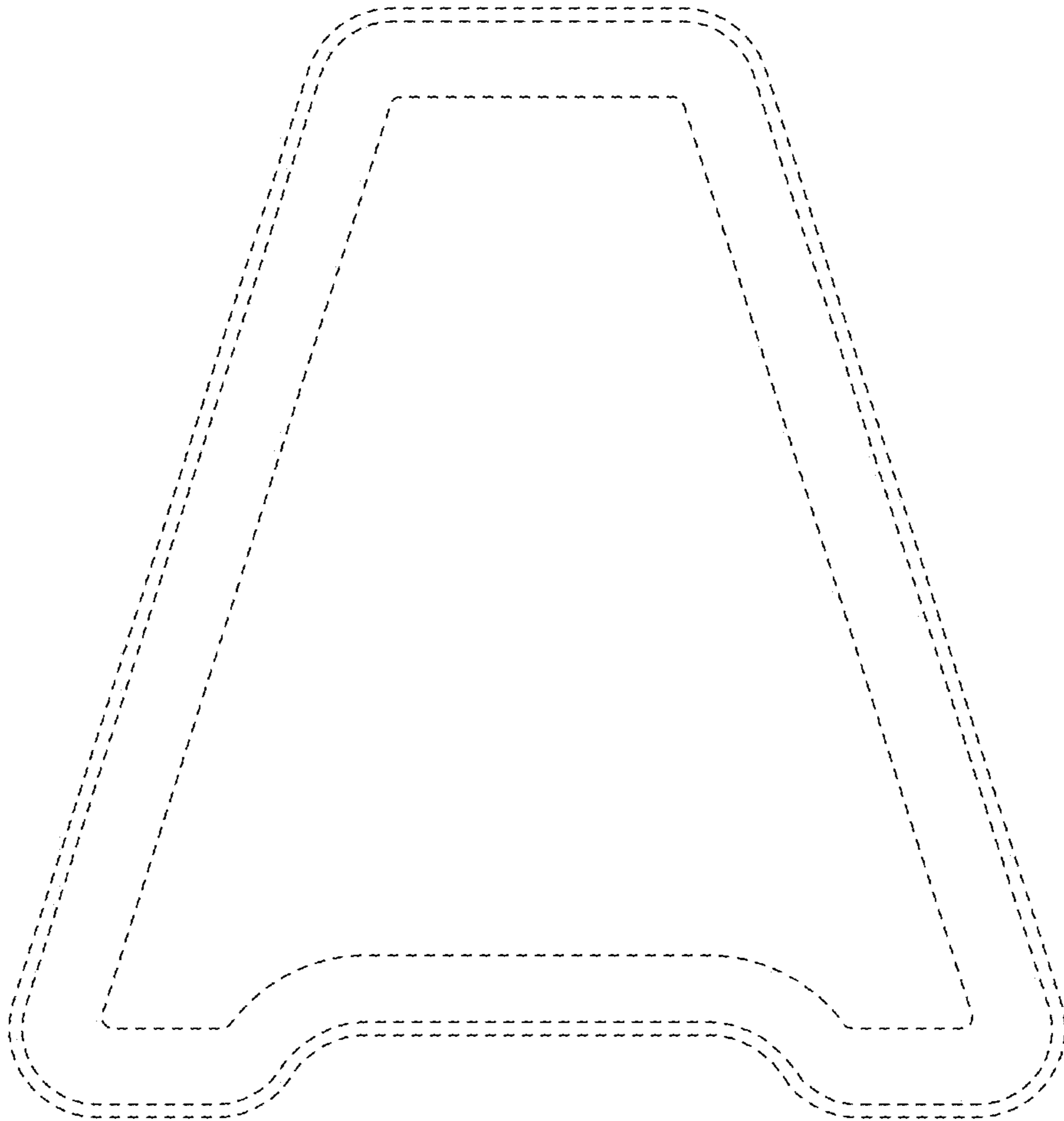


FIG. 4

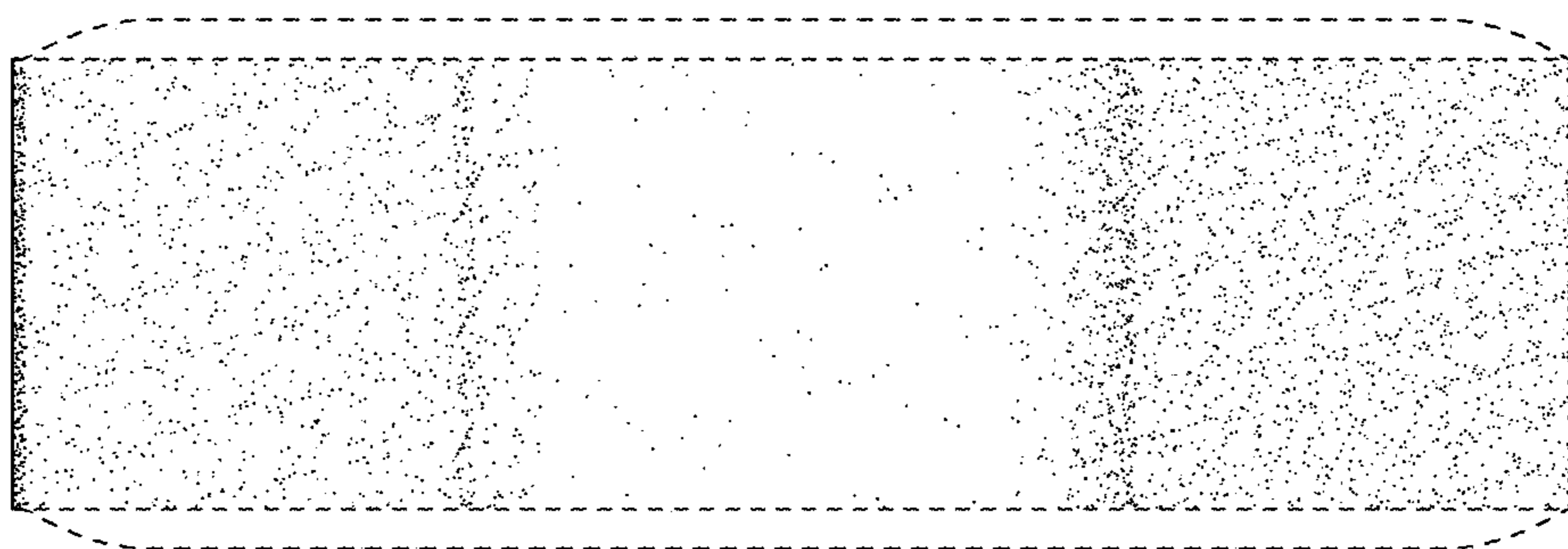


FIG. 5

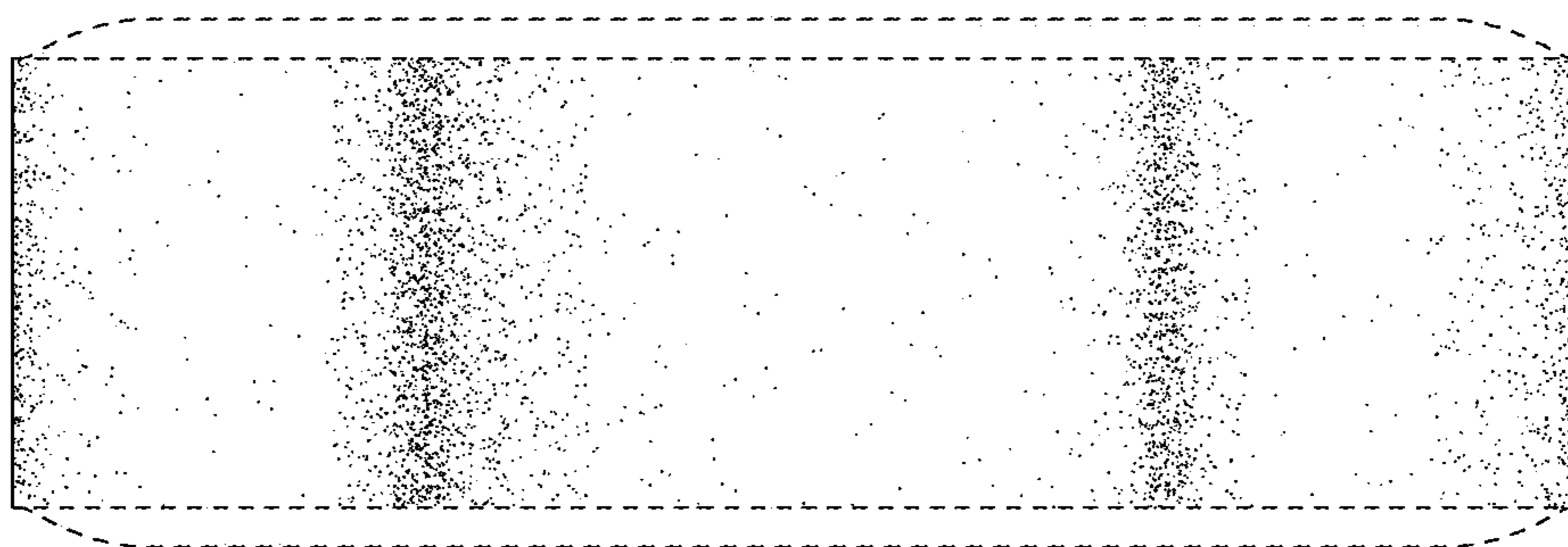


FIG. 6

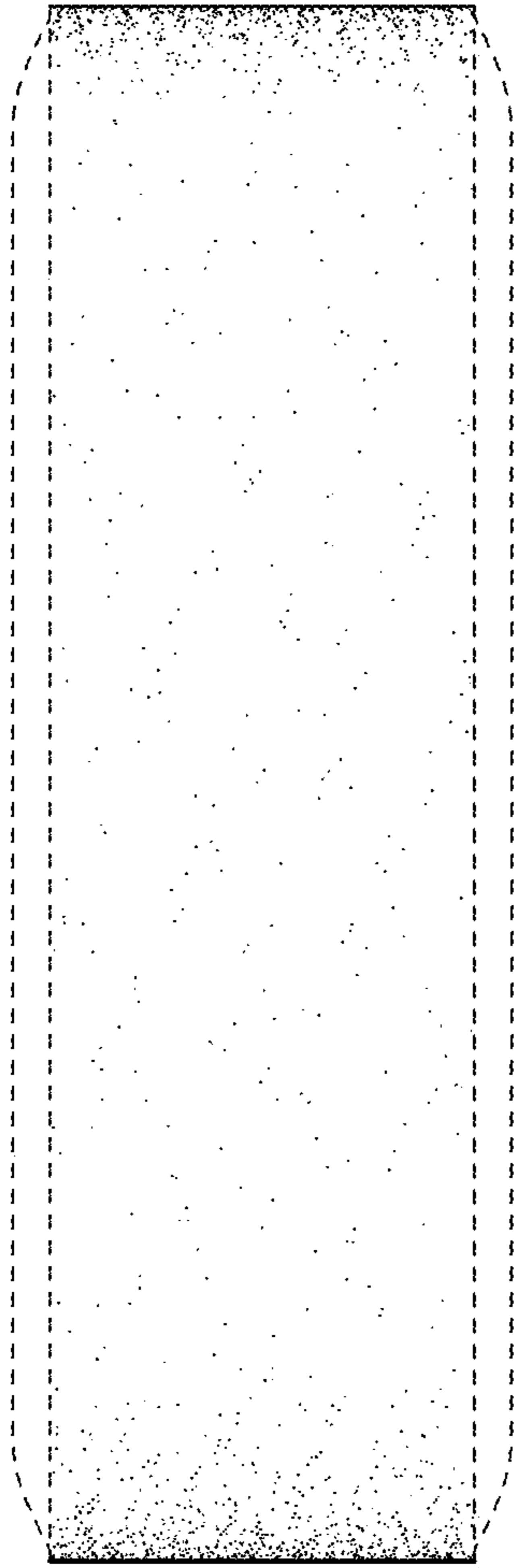


FIG. 7

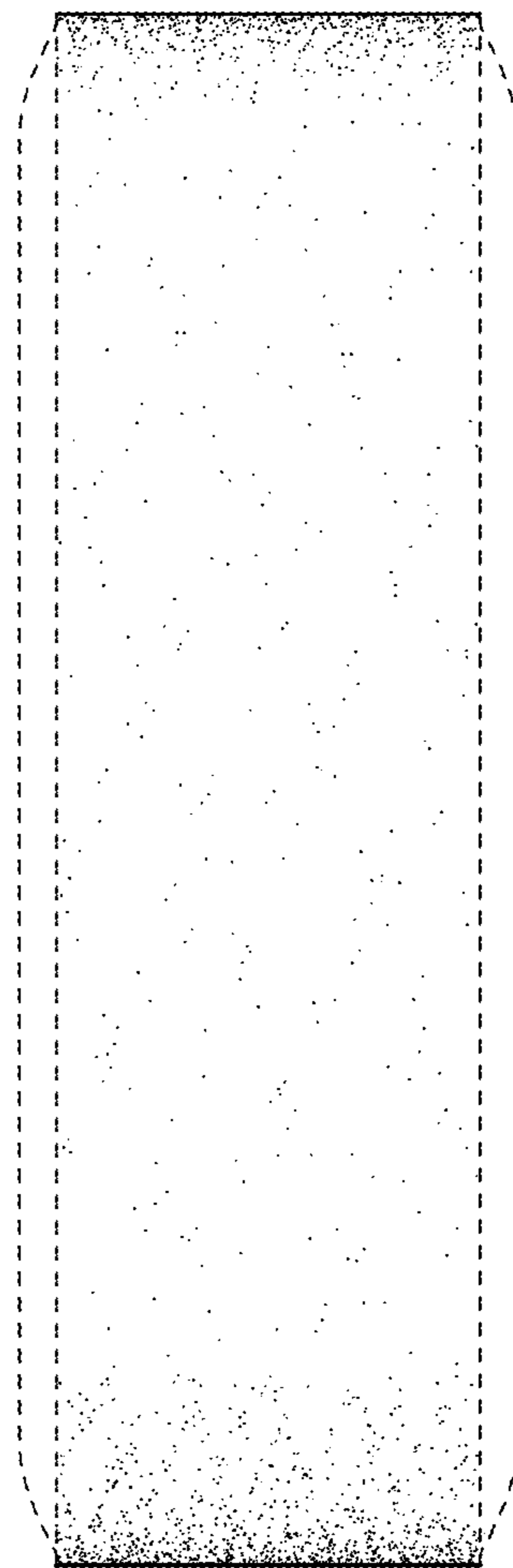


FIG. 8

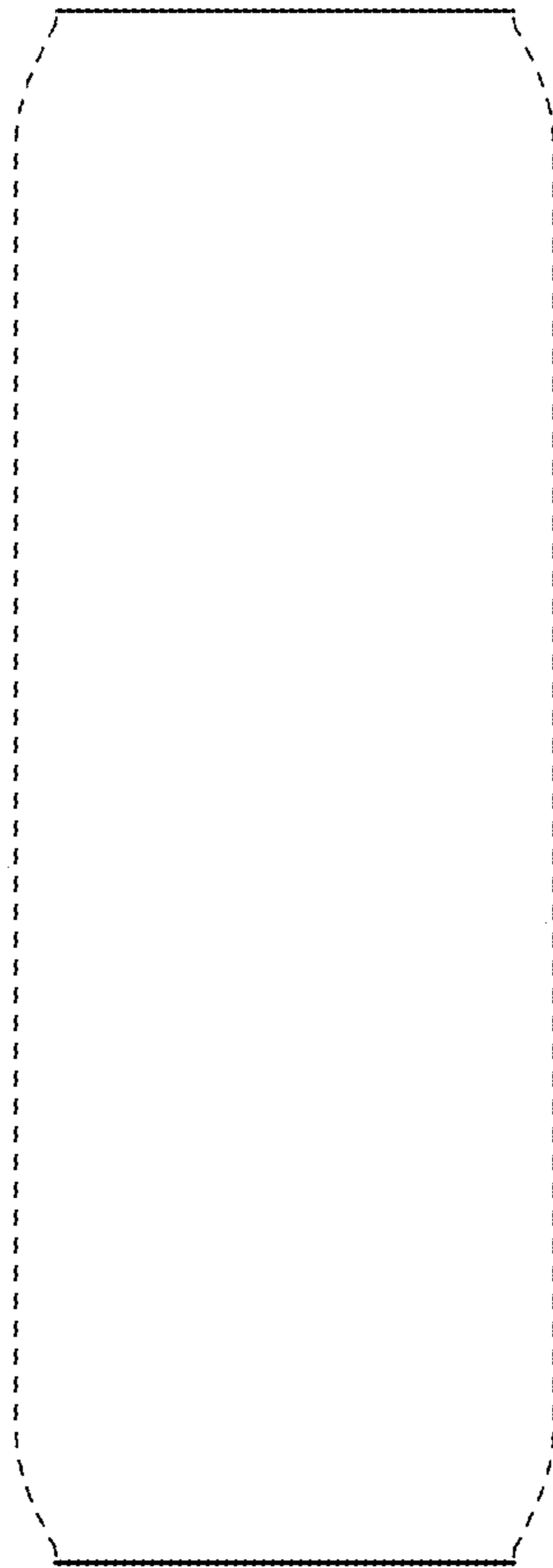


FIG. 9