

US00D945596S

(12) **United States Design Patent** (10) **Patent No.:** **US D945,596 S**  
**Simms** (45) **Date of Patent:** **\*\* Mar. 8, 2022**

(54) **CEILING FAN BLADE COVER**  
 (71) Applicant: **Stacey Simms**, St Augustine, FL (US)  
 (72) Inventor: **Stacey Simms**, St Augustine, FL (US)  
 (\*\*) Term: **15 Years**  
 (21) Appl. No.: **29/726,401**  
 (22) Filed: **Mar. 3, 2020**  
 (51) **LOC (13) Cl.** ..... **23-03**  
 (52) **U.S. Cl.** ..... **D23/411**  
 USPC ..... **D23/411**  
 (58) **Field of Classification Search**  
 USPC ..... D23/370, 377, 379, 385, 411-414  
 CPC ..... F04D 25/088; F04D 29/38; F04D 29/384;  
 F04D 29/386  
 See application file for complete search history.

(56) **References Cited**  
 U.S. PATENT DOCUMENTS

|           |      |         |             |                   |
|-----------|------|---------|-------------|-------------------|
| 4,676,721 | A    | 6/1987  | Hardee      |                   |
| 5,516,264 | A    | 5/1996  | Anetrini    |                   |
| 5,591,006 | A    | 1/1997  | DeMeo       |                   |
| 6,015,261 | A    | 1/2000  | Barone      |                   |
| 6,025,481 | A    | 2/2000  | Wallace     |                   |
| D453,219  | S    | 1/2002  | Godfrey     |                   |
| 6,619,920 | B1 * | 9/2003  | Cannon      | ..... F04D 25/088 |
|           |      |         |             | 150/158           |
| D480,469  | S *  | 10/2003 | DeLese      | ..... D23/411     |
| D510,426  | S *  | 10/2005 | Garcia, Jr. | ..... D23/411     |
| 7,056,090 | B1 * | 6/2006  | Stengel     | ..... F04D 25/088 |
|           |      |         |             | 416/62            |
| D855,791  | S *  | 8/2019  | Obannon     | ..... D23/411     |

|              |    |        |           |
|--------------|----|--------|-----------|
| 2004/0141848 | A1 | 7/2004 | Beaven    |
| 2009/0202348 | A1 | 8/2009 | Culberson |
| 2012/0224967 | A1 | 9/2012 | Radabaugh |
| 2017/0030379 | A1 | 2/2017 | Garcia    |

FOREIGN PATENT DOCUMENTS

WO 9703325 1/1997

\* cited by examiner

Primary Examiner — Sharon S Oum

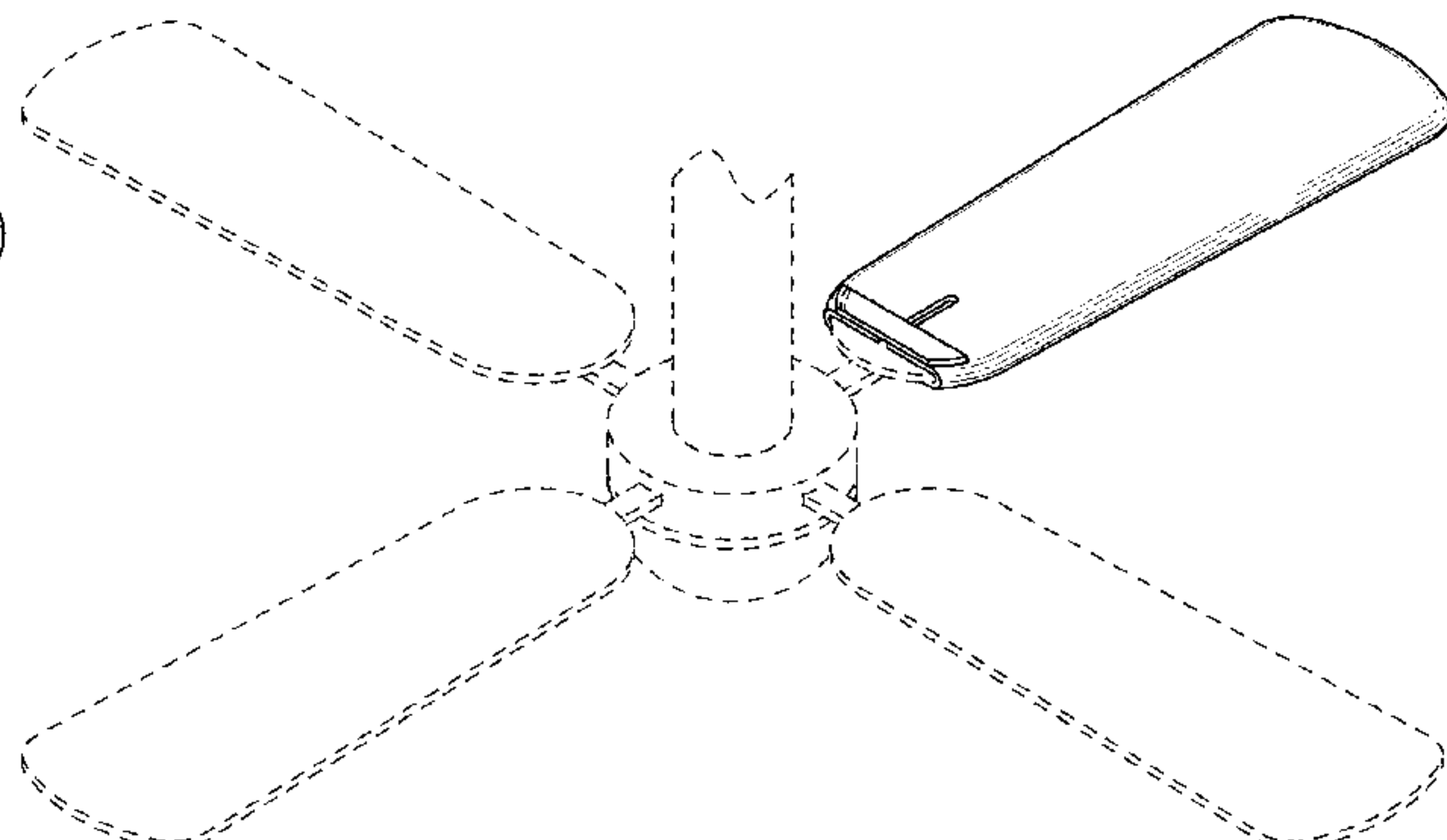
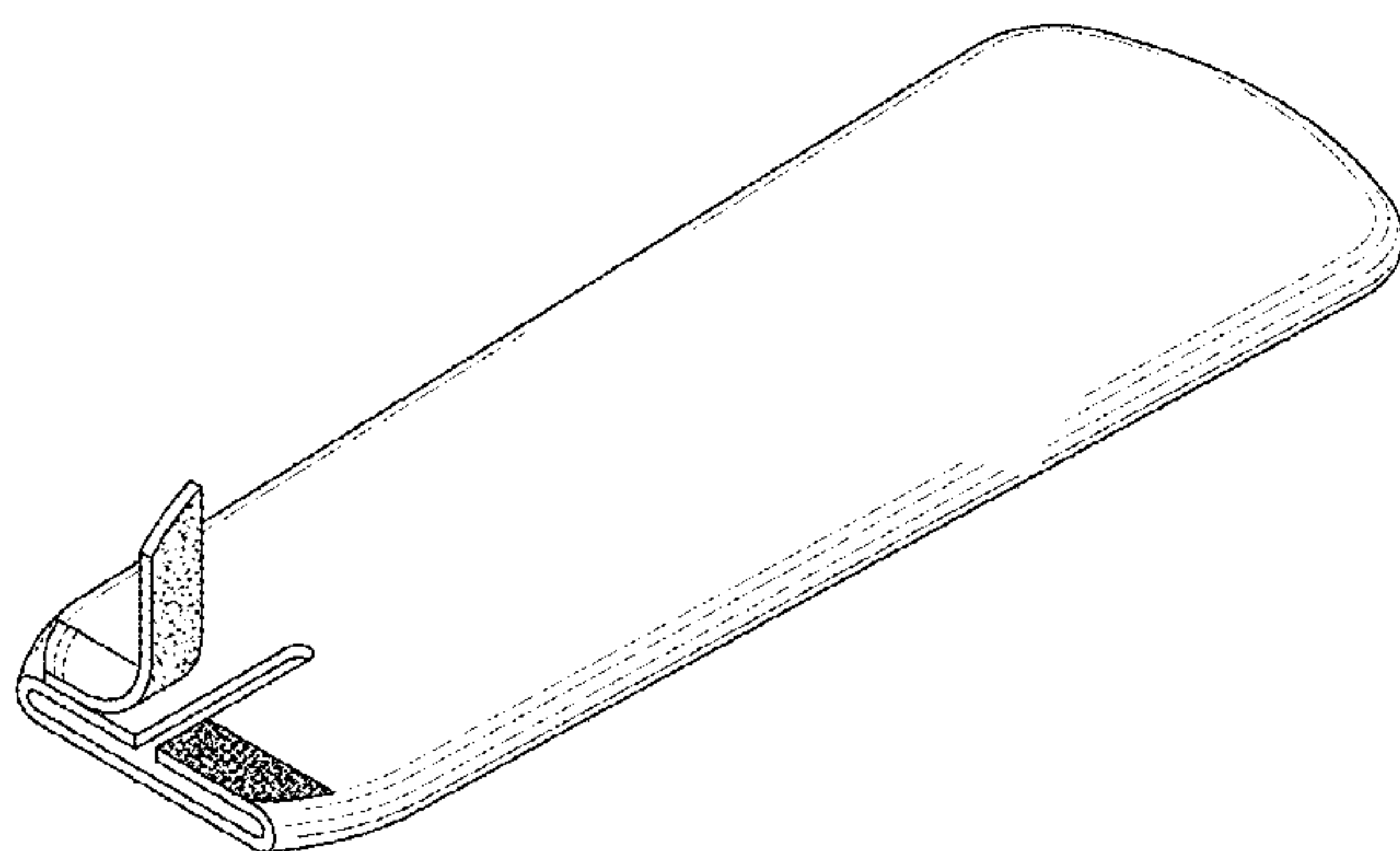
(57) **CLAIM**

I claim the ornamental design for a ceiling fan blade cover, as shown and described.

**DESCRIPTION**

FIG. 1 is a bottom view of the ceiling fan blade cover.  
 FIG. 2 is a top view thereof.  
 FIG. 3 is a side view thereof.  
 FIG. 4 is a front view thereof.  
 FIG. 5 is a rear view thereof.  
 FIG. 6 is a perspective top view thereof.  
 FIG. 7 is a perspective top view thereof, portraying the adhesive tab displayed in the open position; and,  
 FIG. 8 is a perspective view thereof in the environment of a ceiling fan.  
 The broken lines illustrate portions of the ceiling fan blade cover and ceiling fan environment that form no part of the claimed design.

**1 Claim, 4 Drawing Sheets**



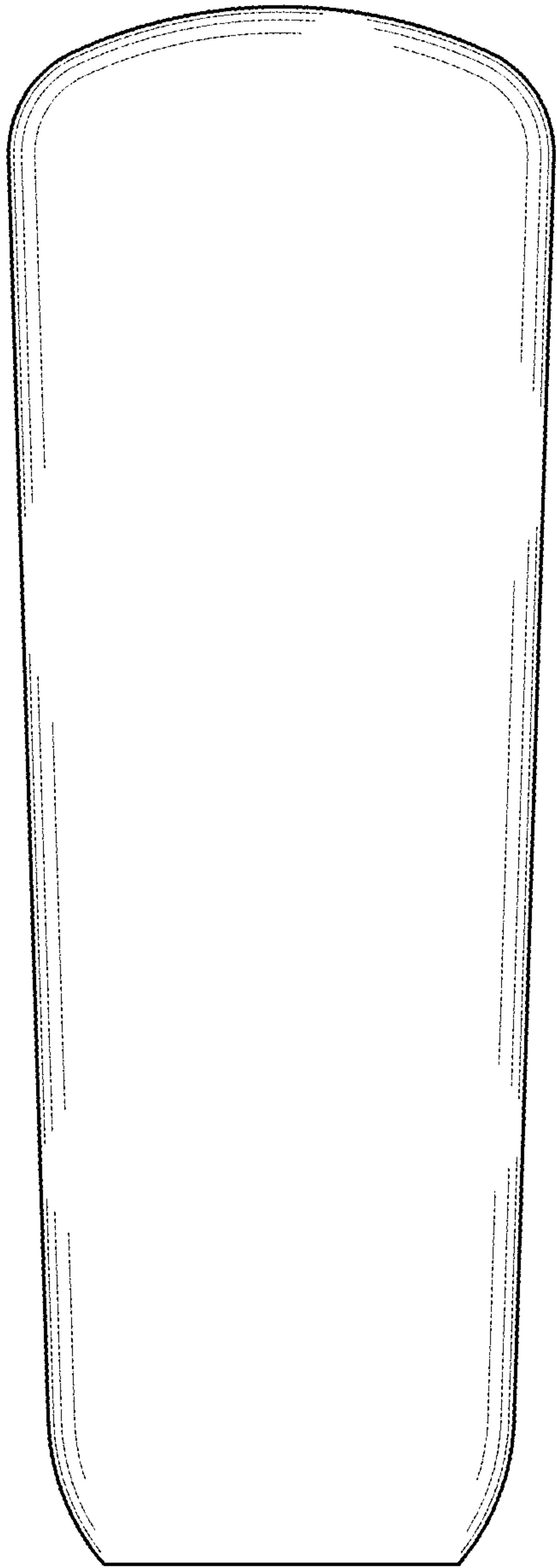


FIG. 1

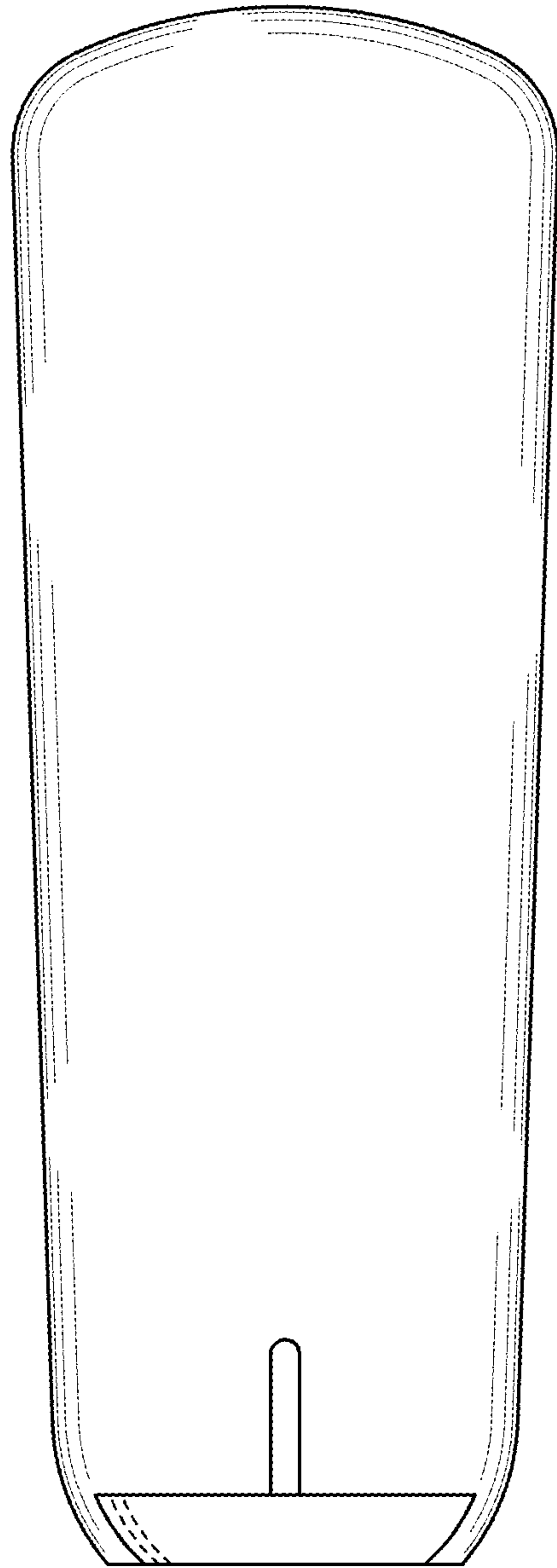


FIG. 2

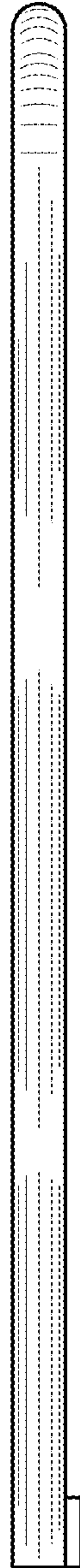


FIG. 3

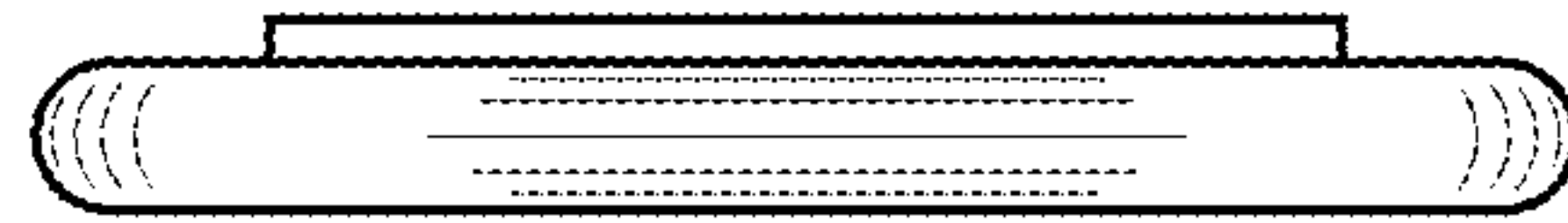


FIG. 4

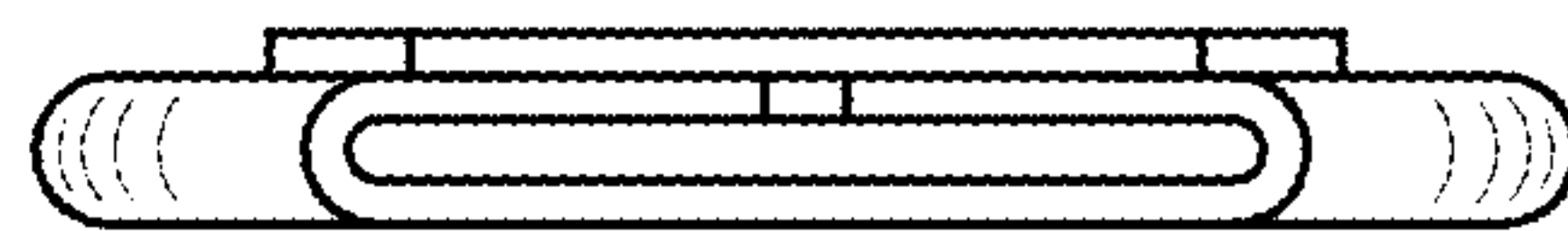


FIG. 5

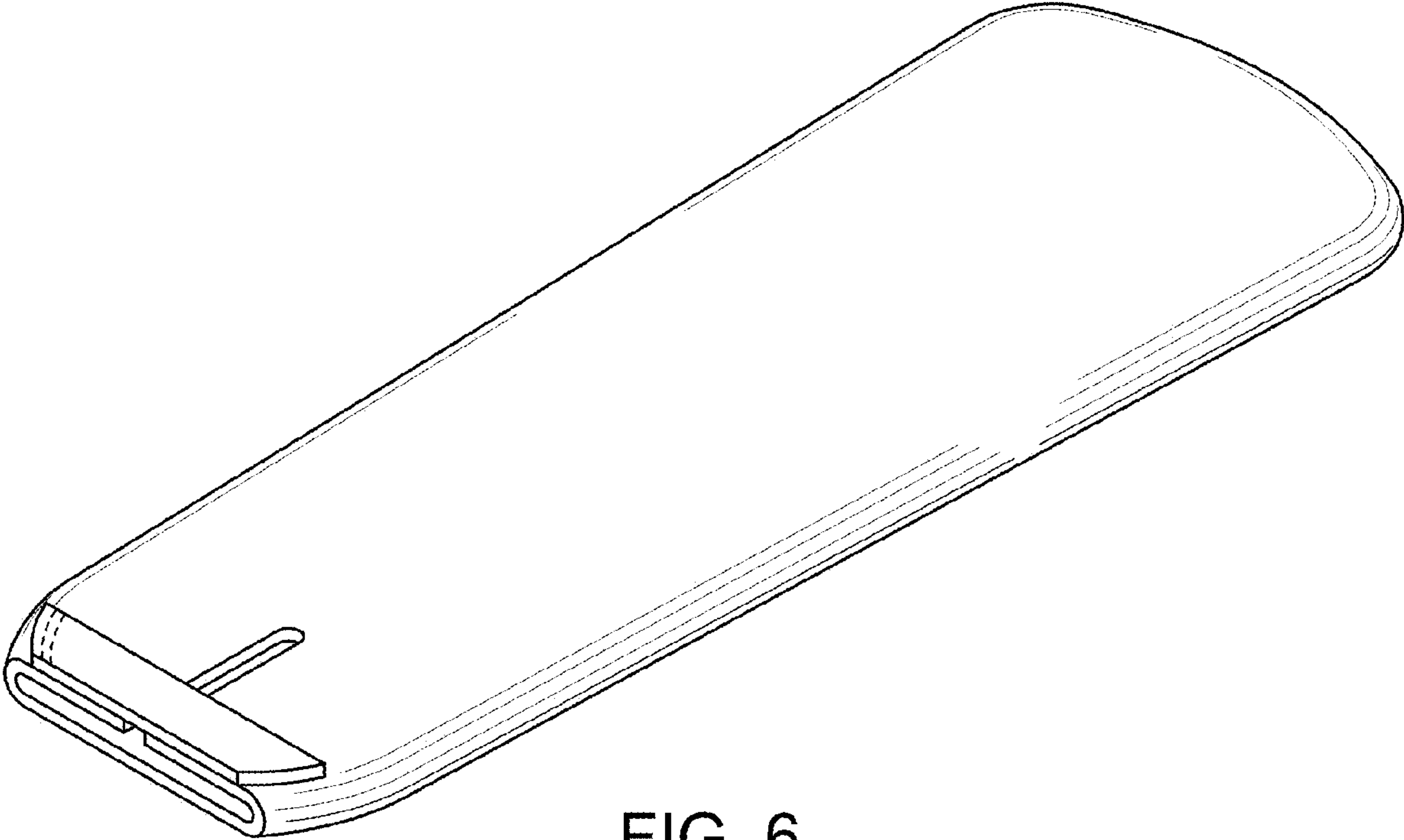


FIG. 6

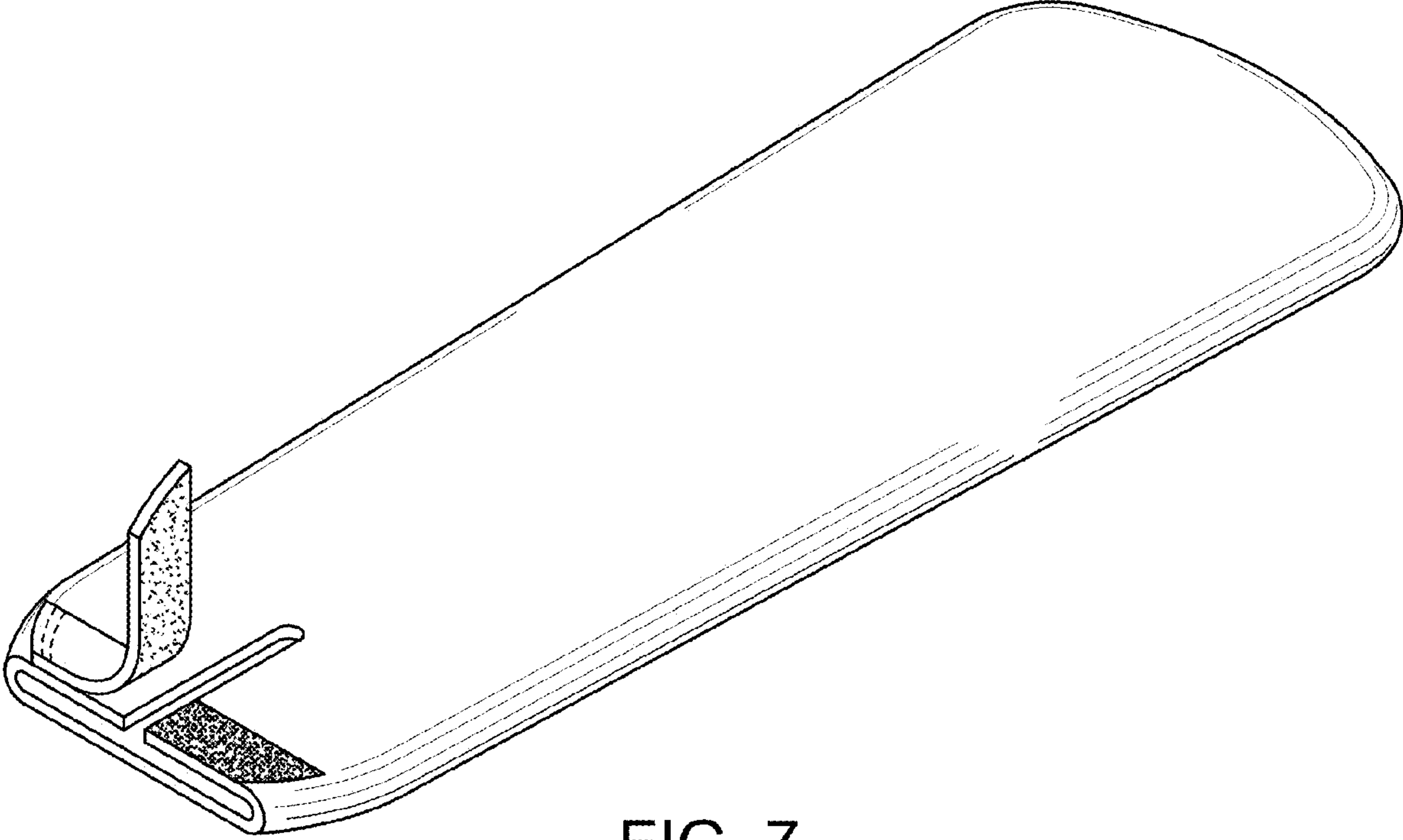


FIG. 7

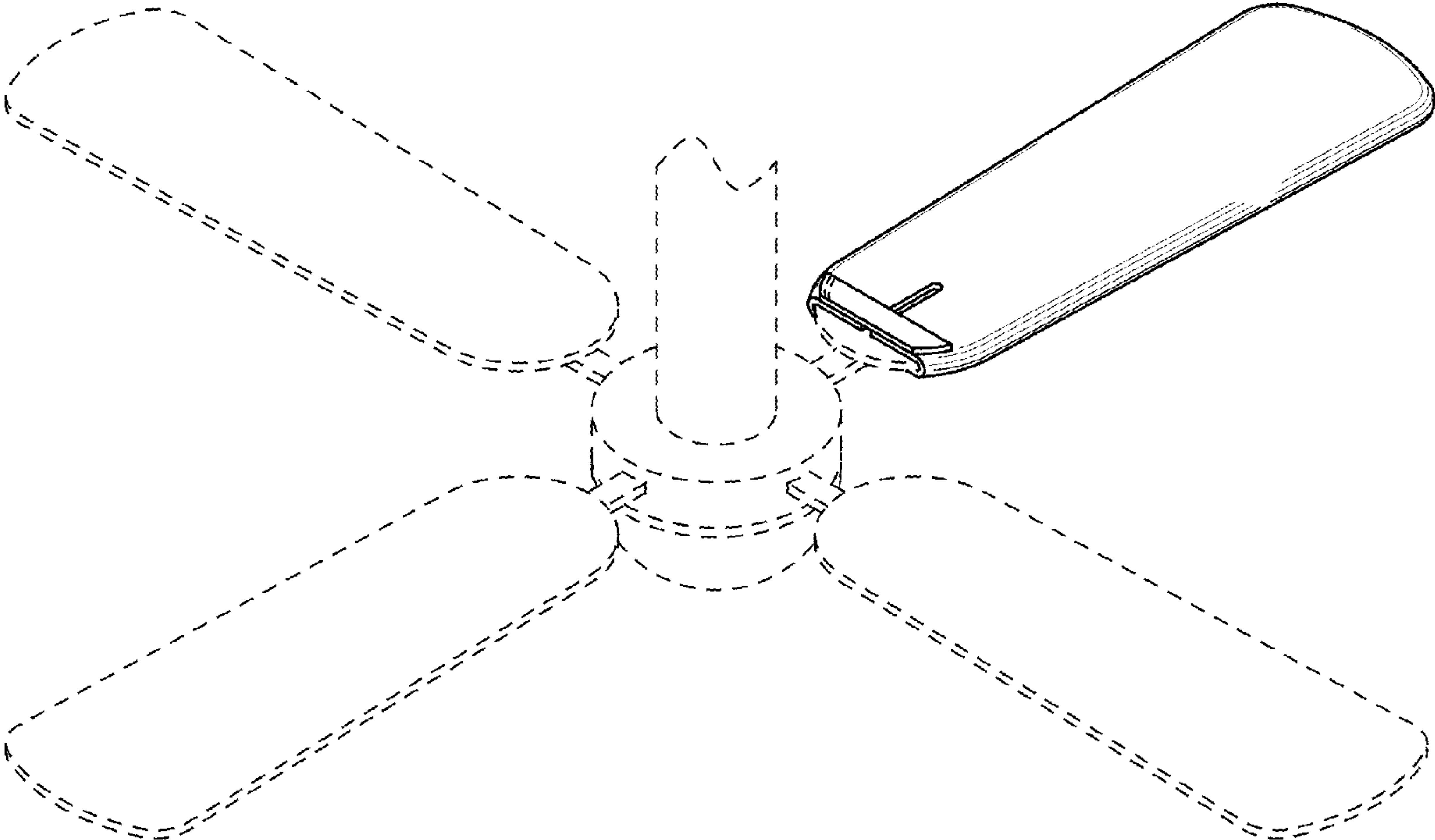


FIG. 8