



US00D945595S

(12) **United States Design Patent**
Biancuzzo

(10) **Patent No.:** **US D945,595 S**

(45) **Date of Patent:** **** Mar. 8, 2022**

(54) **CEILING FAN**

(71) Applicant: **AIR COOL INDUSTRIAL CO., LTD.**, Taichung (TW)

(72) Inventor: **Francisco Biancuzzo**, Davie, FL (US)

(73) Assignee: **AIR COOL INDUSTRIAL CO., LTD.**, Taichung (TW)

(**) Term: **15 Years**

(21) Appl. No.: **29/720,992**

(22) Filed: **Jan. 16, 2020**

(51) **LOC (13) Cl.** **23-03**

(52) **U.S. Cl.**
USPC **D23/411; D23/377; D23/382**

(58) **Field of Classification Search**
USPC D23/370, 377, 385, 332, 333, 335-337,
D23/352, 378-383, 411-414
CPC F04D 25/088; F04D 29/38; F04D 29/384;
F04D 29/386; F21V 33/0096
See application file for complete search history.

(56) **References Cited**

U.S. PATENT DOCUMENTS

D459,525 S *	6/2002	Barry	D26/73
D461,236 S *	8/2002	Chura	D23/411
D559,381 S *	1/2008	Shapiro	D23/411
D605,333 S *	12/2009	Miranda	D26/88
D621,025 S *	8/2010	Peterson	D23/382
D676,543 S *	2/2013	Hiner	D23/377
D698,914 S *	2/2014	Love	D23/377
D779,049 S *	2/2017	Wang	D23/385

D804,645 S *	12/2017	Habig	D23/411
D808,510 S *	1/2018	Gajewski	D23/377
D835,252 S *	12/2018	Hidalgo	D23/382
D835,253 S *	12/2018	Hildago	D23/382
D847,967 S *	5/2019	Hernandez	D23/370
D848,597 S *	5/2019	Gajewski	D23/370
D862,678 S *	10/2019	Gajewski	D23/380
D870,259 S *	12/2019	Hidalgo	D23/382
D882,060 S *	4/2020	Wang	D23/377
D896,363 S *	9/2020	Wang	D23/411

* cited by examiner

Primary Examiner — Sharon S Oum

(74) *Attorney, Agent, or Firm* — Pai Patent & Trademark Law Firm; Chao-Chang David Pai

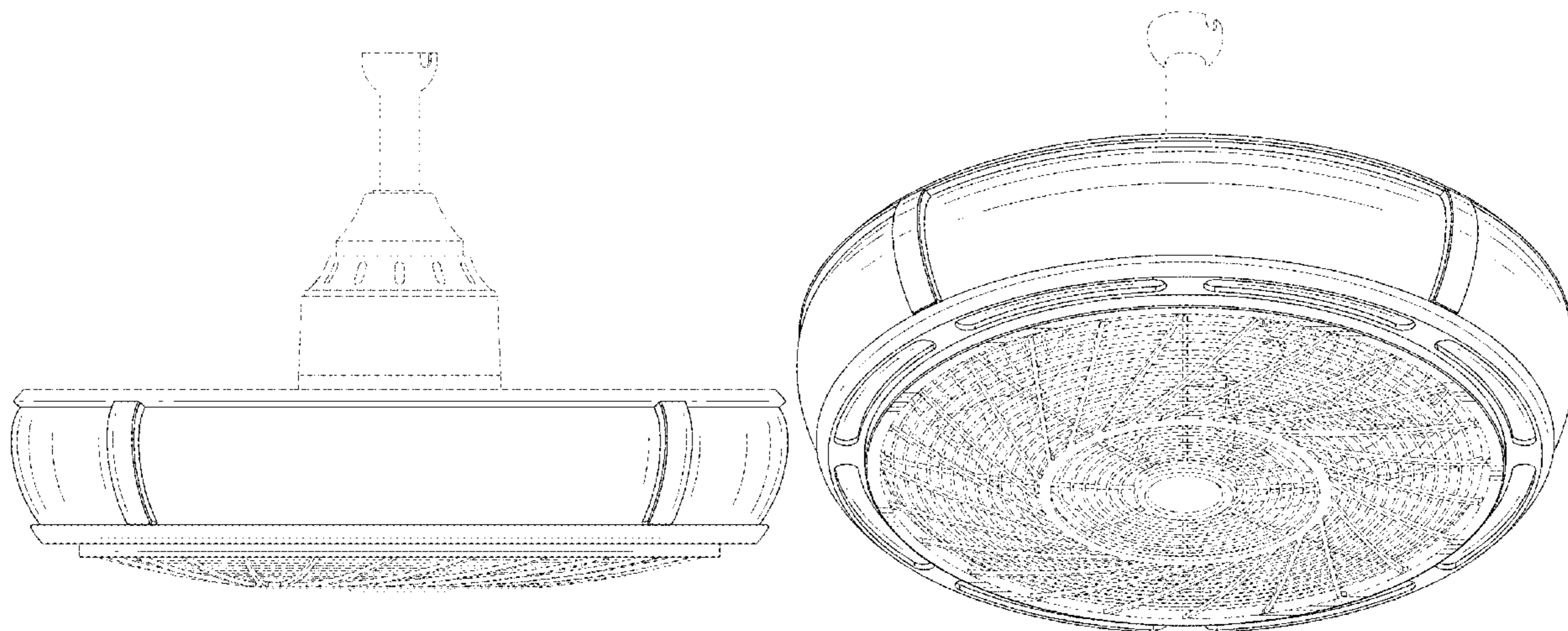
(57) **CLAIM**

The ornamental design for a ceiling fan, as shown and described.

DESCRIPTION

FIG. 1 is a front top perspective view of a ceiling fan showing my new design;
FIG. 2 is a front elevational view thereof;
FIG. 3 is a rear elevational view thereof;
FIG. 4 is a left side elevational view thereof;
FIG. 5 is a right side elevational view thereof;
FIG. 6 is a top plan view thereof;
FIG. 7 is a bottom plan view thereof; and,
FIG. 8 is a front bottom perspective view thereof.
The broken lines illustrate portions of the ceiling fan and form no part of the claimed design.

1 Claim, 8 Drawing Sheets



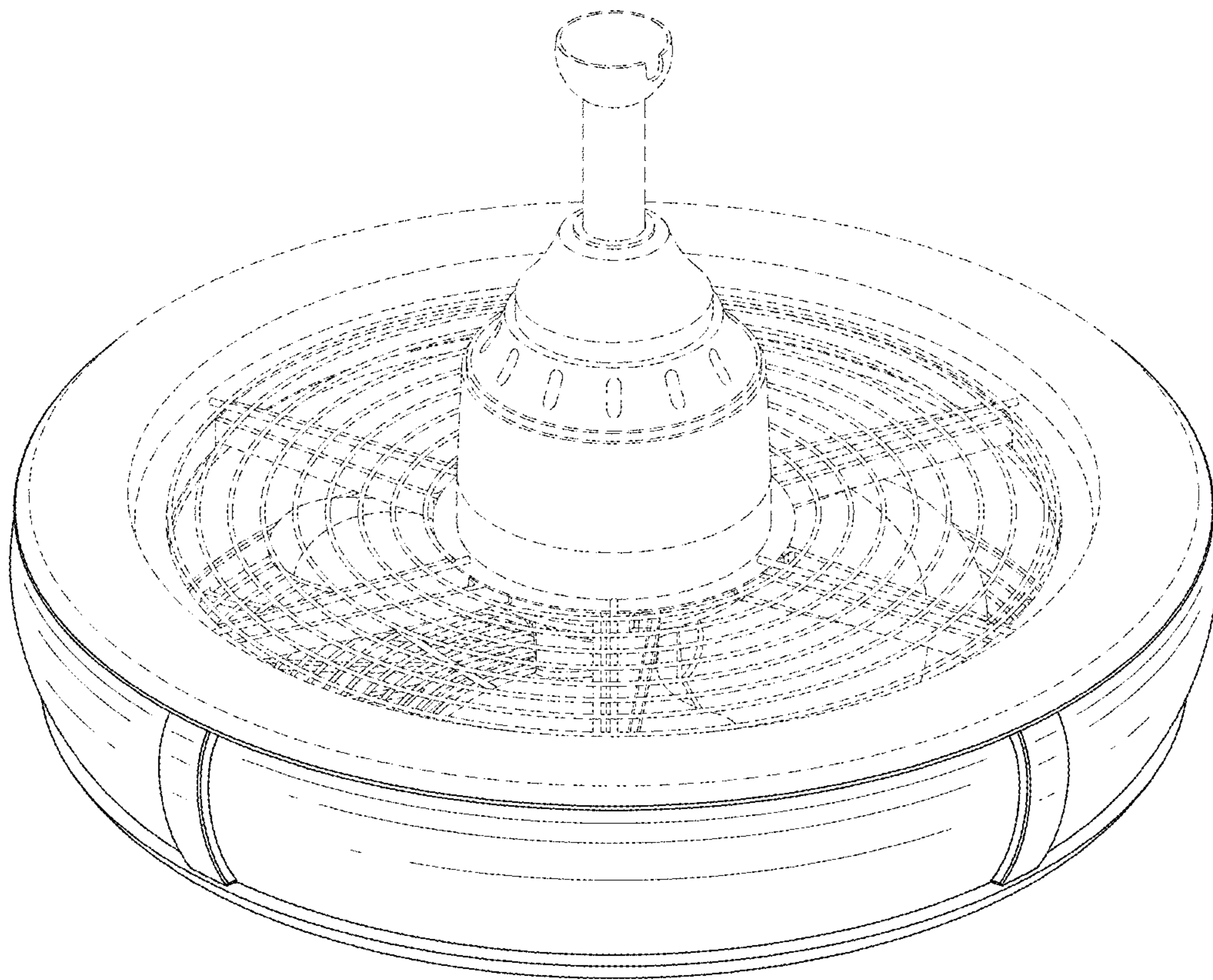


FIG. 1

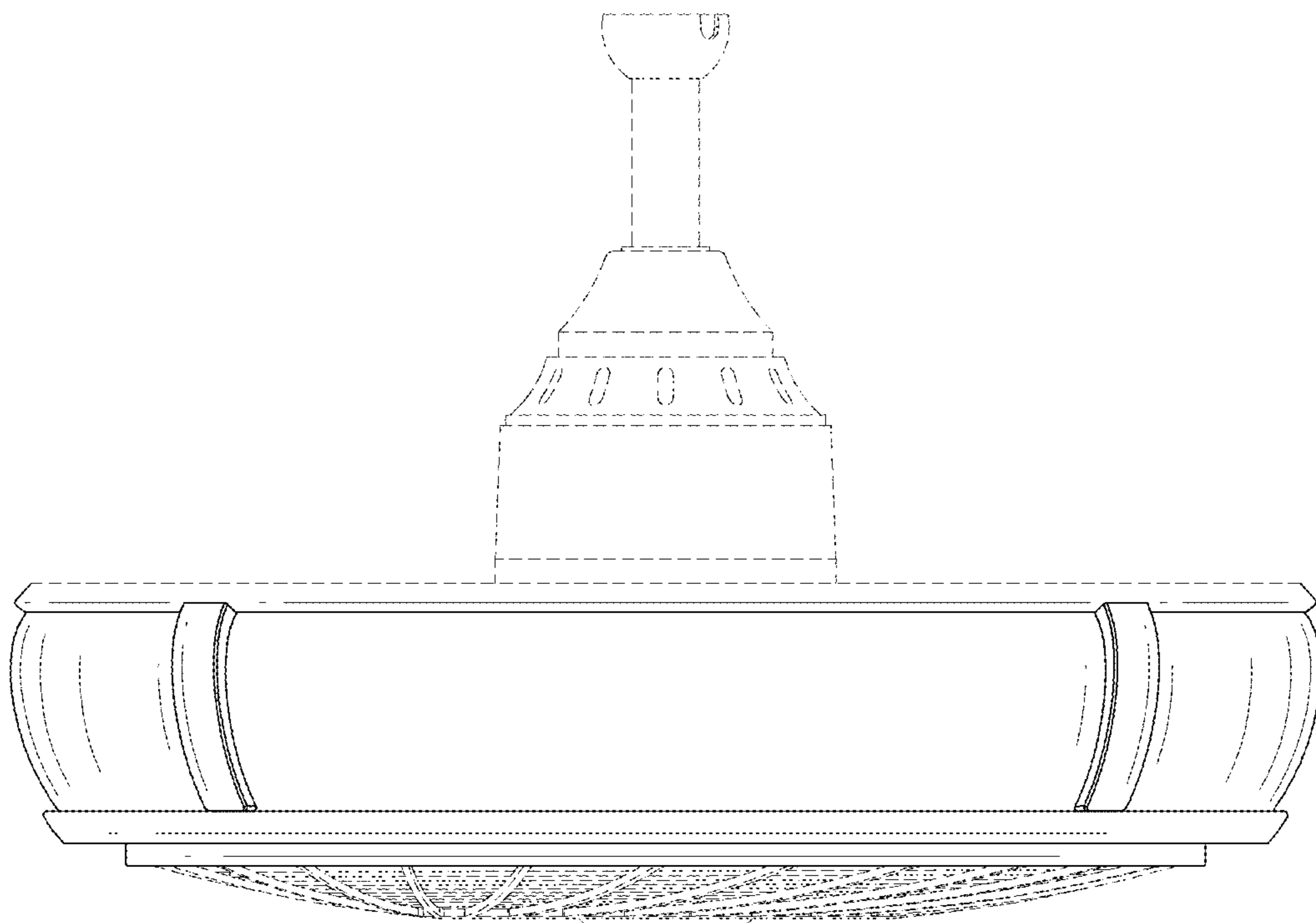


FIG. 2

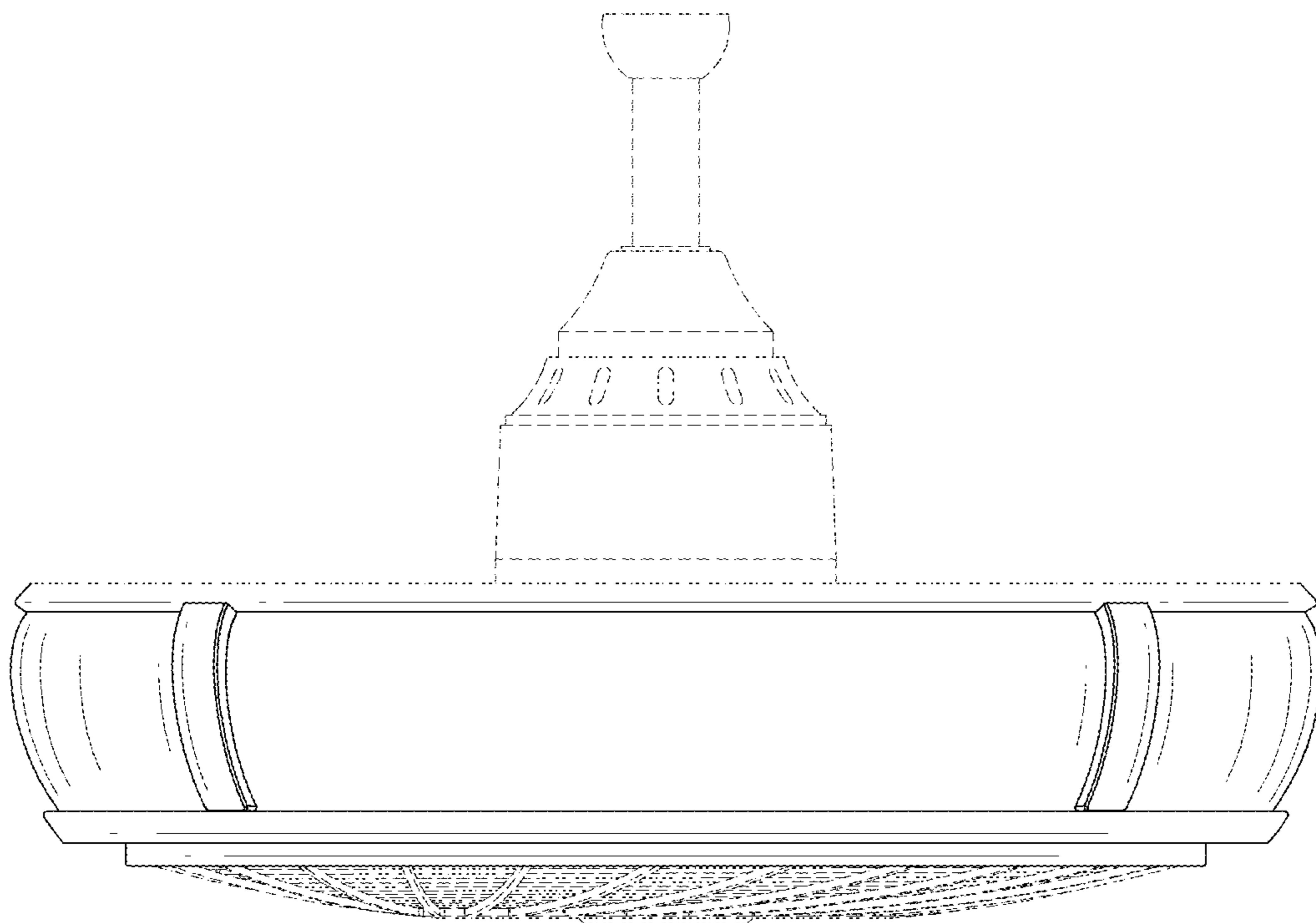


FIG. 3

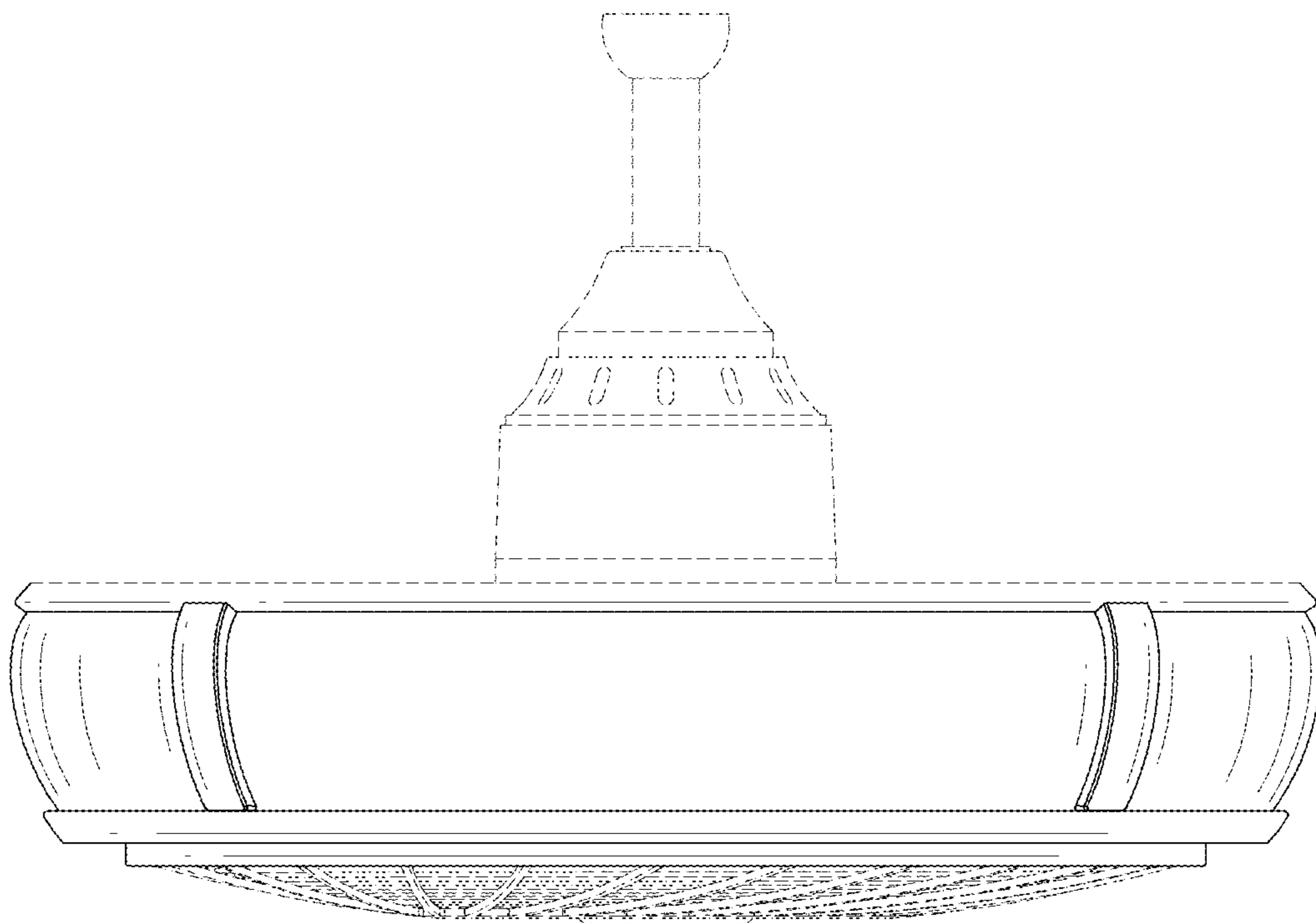


FIG. 4

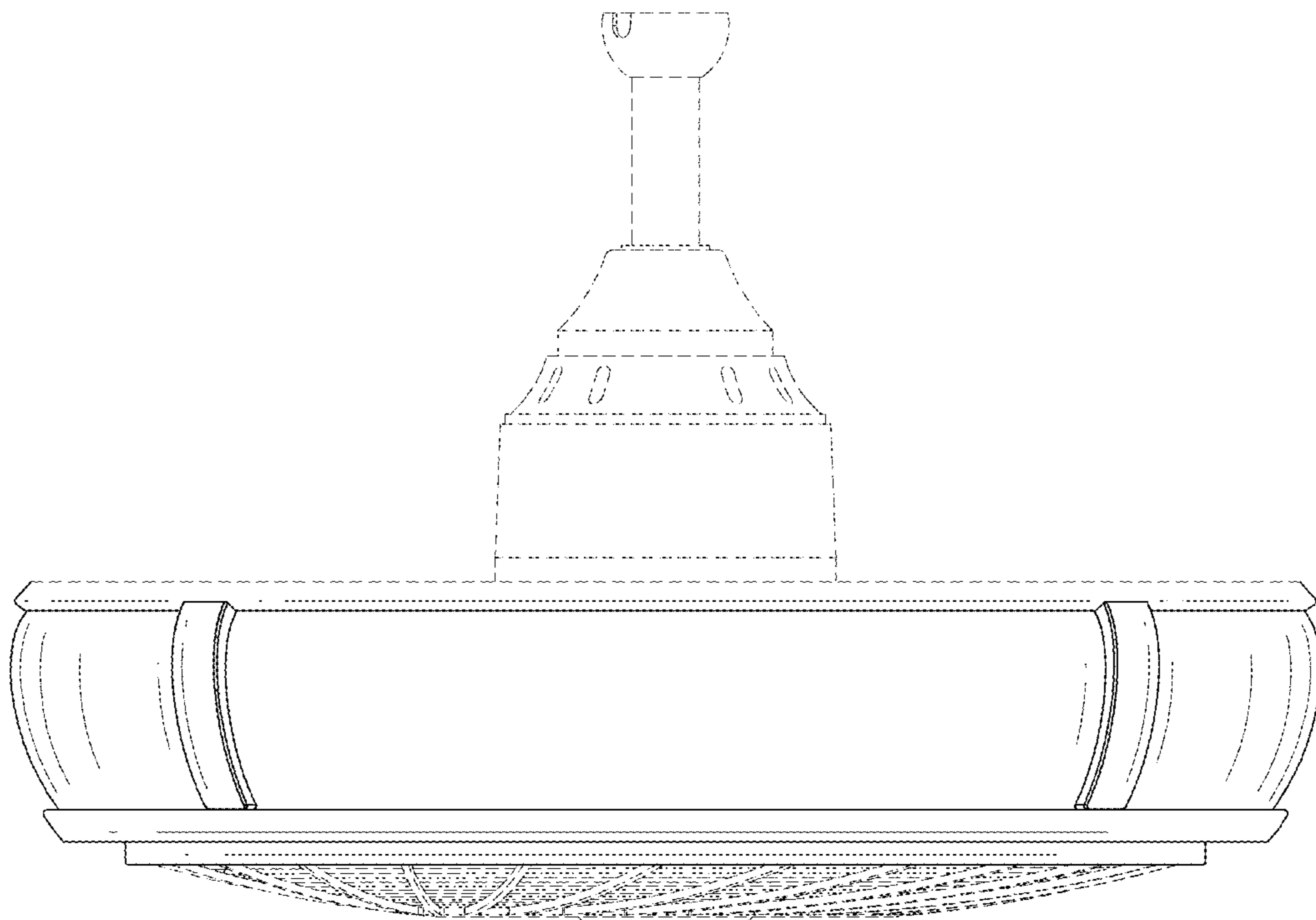


FIG. 5

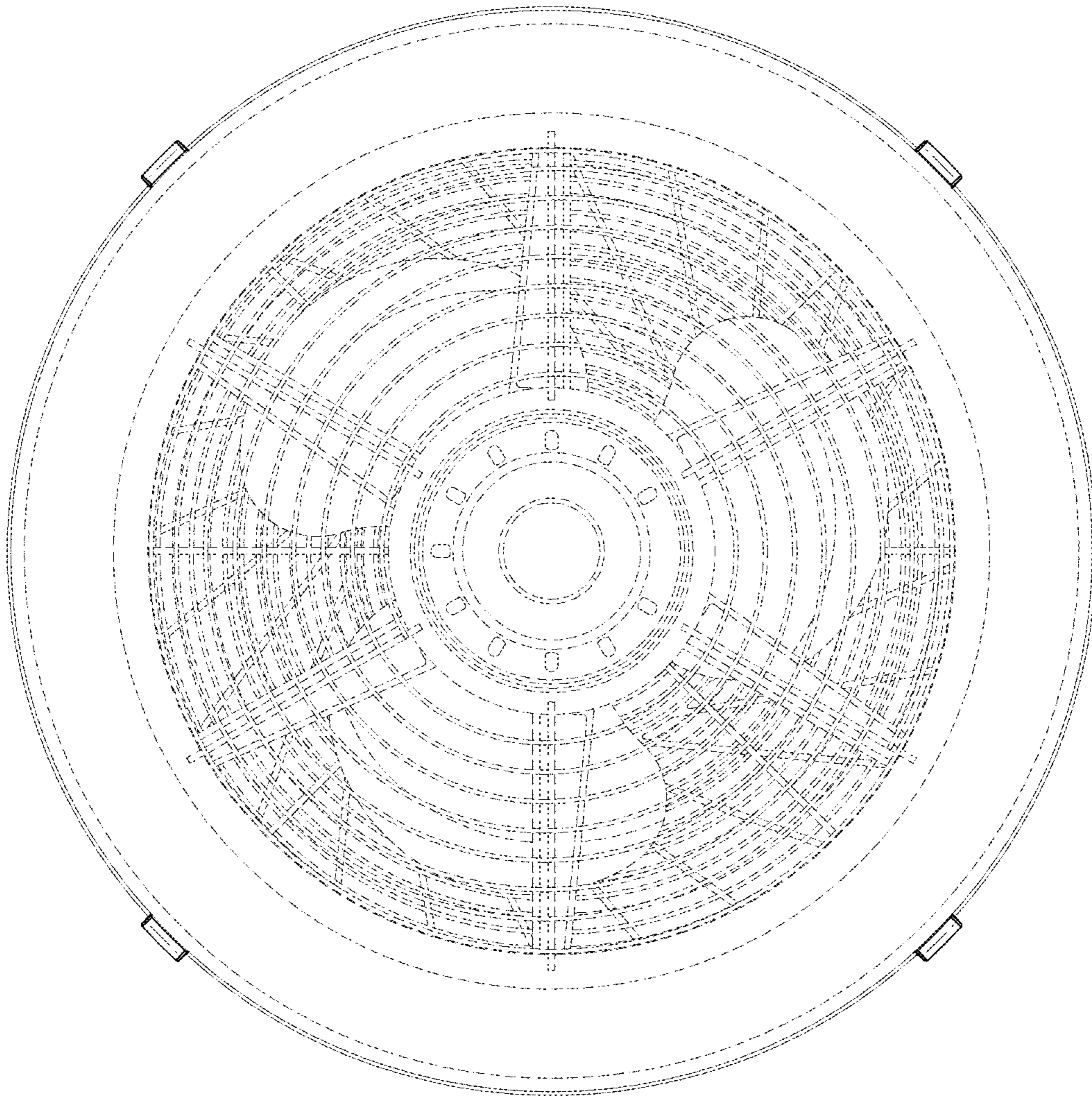


FIG. 6

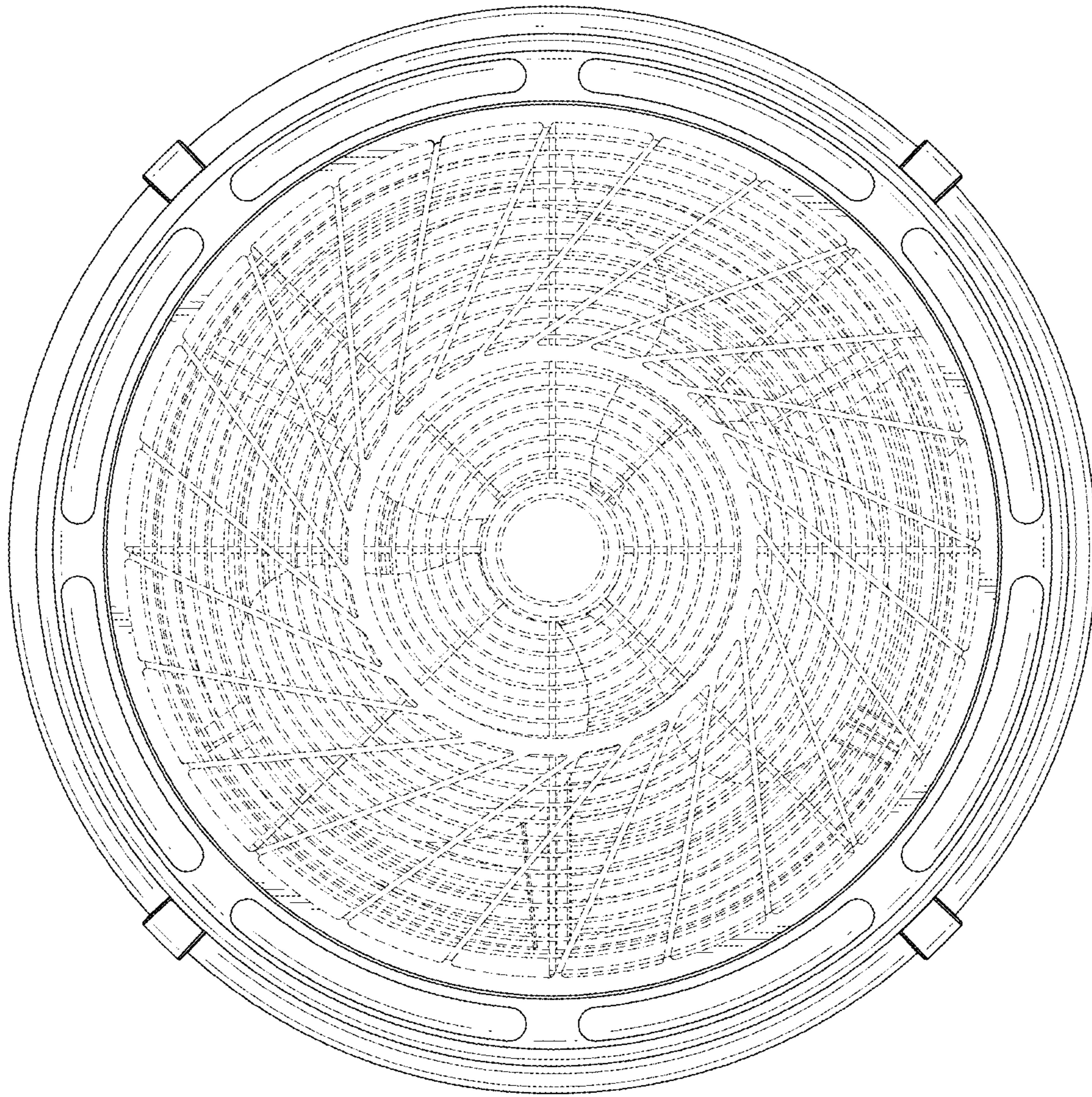


FIG. 7

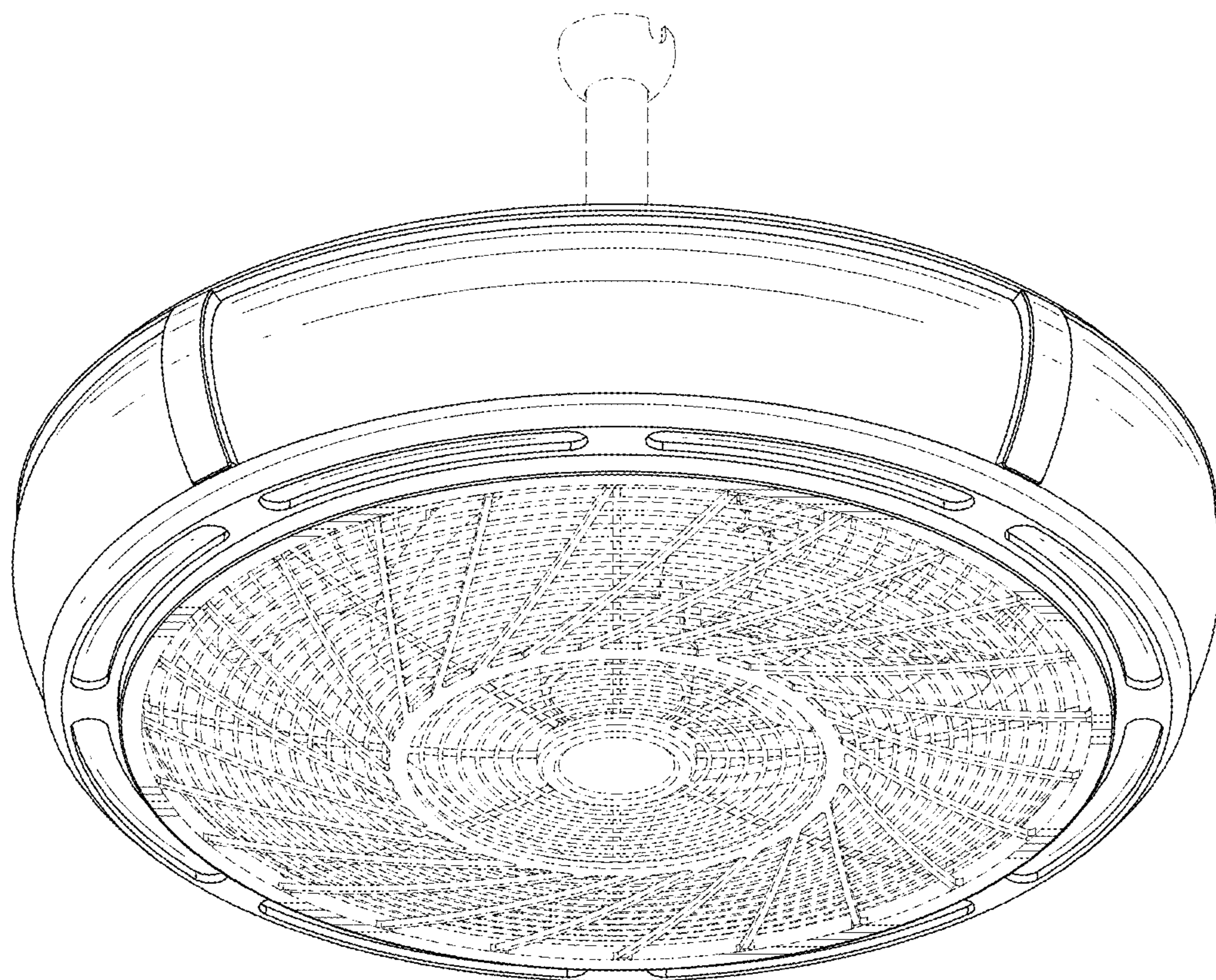


FIG. 8