



US00D945594S

(12) **United States Design Patent**  
**DeBoer et al.**

(10) **Patent No.:** **US D945,594 S**

(45) **Date of Patent:** **\*\* Mar. 8, 2022**

(54) **AIR CURTAIN**

(71) Applicants: **Jeff DeBoer**, Ann Arbor, MI (US);  
**Matt Korich**, Ypsilanti, MI (US); **Dan Genord**, South Lyon, MI (US)

(72) Inventors: **Jeff DeBoer**, Ann Arbor, MI (US);  
**Matt Korich**, Ypsilanti, MI (US); **Dan Genord**, South Lyon, MI (US)

(\*\*) Term: **15 Years**

(21) Appl. No.: **29/756,083**

(22) Filed: **Oct. 26, 2020**

(51) **LOC (13) Cl.** ..... **23-03**

(52) **U.S. Cl.**  
USPC ..... **D23/393**

(58) **Field of Classification Search**  
USPC ..... D23/259, 260, 315, 318, 322, 343, 347,  
D23/348, 354, 355, 370, 371, 373, 381,  
D23/382, 385-390, 392, 393  
CPC .... F24F 7/02; F24F 13/00; F24F 13/02; F24F  
13/0209; F24F 13/06; F24F 13/0604;  
F24F 13/10; F24F 13/12; F24F 13/14;  
F24F 13/15; F24F 13/16; F24F 13/18;  
F24F 13/20; F24F 9/00; F24F 9/002;  
F24F 9/005; F24F 9/007; E04F 17/026  
See application file for complete search history.

(56) **References Cited**

**U.S. PATENT DOCUMENTS**

D245,620 S \* 8/1977 Berry ..... D23/371  
D259,508 S \* 6/1981 Giles ..... D23/373  
D268,952 S \* 5/1983 Anderson ..... D23/385  
D332,305 S \* 1/1993 Karlsson ..... D23/371  
D367,925 S \* 3/1996 Smilo ..... D23/370  
D380,823 S \* 7/1997 LaZar ..... D23/371  
5,711,091 A \* 1/1998 Bos ..... F24F 13/06  
34/606  
5,771,708 A \* 6/1998 Suzuki ..... F24F 13/075  
62/285

D450,379 S \* 11/2001 Strand ..... D23/372  
D532,507 S \* 11/2006 Vetter ..... D23/372  
D618,780 S \* 6/2010 Williams, Sr. .... D23/373  
D677,775 S \* 3/2013 Funnell, II ..... D23/371  
D731,047 S \* 6/2015 Leonard ..... D23/373  
D755,944 S \* 5/2016 Daniels ..... D23/373  
D812,216 S \* 3/2018 Langford ..... D23/393  
D834,695 S \* 11/2018 Puffer ..... D23/370  
D836,765 S \* 12/2018 Puffer ..... D23/370  
D838,829 S \* 1/2019 Puffer ..... D23/370  
D865,152 S \* 10/2019 Kim ..... D23/372  
D882,057 S \* 4/2020 Rizo ..... D23/373  
D903,089 S \* 11/2020 Holland ..... D23/393  
2007/0298703 A1 \* 12/2007 Chen ..... F24F 9/00  
454/192  
2011/0120159 A1 \* 5/2011 Jevaney ..... B60P 3/205  
62/131

(Continued)

**OTHER PUBLICATIONS**

DuraSteel Aerial Titan-1, Mar. 5, 2016, Amazon, site visited Nov. 30, 2021: <https://www.amazon.com/dp/B01CKQFGLE/> (Year: 2016).\*

(Continued)

*Primary Examiner* — Jack Reickel  
*Assistant Examiner* — Bobby W Jones, II  
(74) *Attorney, Agent, or Firm* — Harpman & Harpman

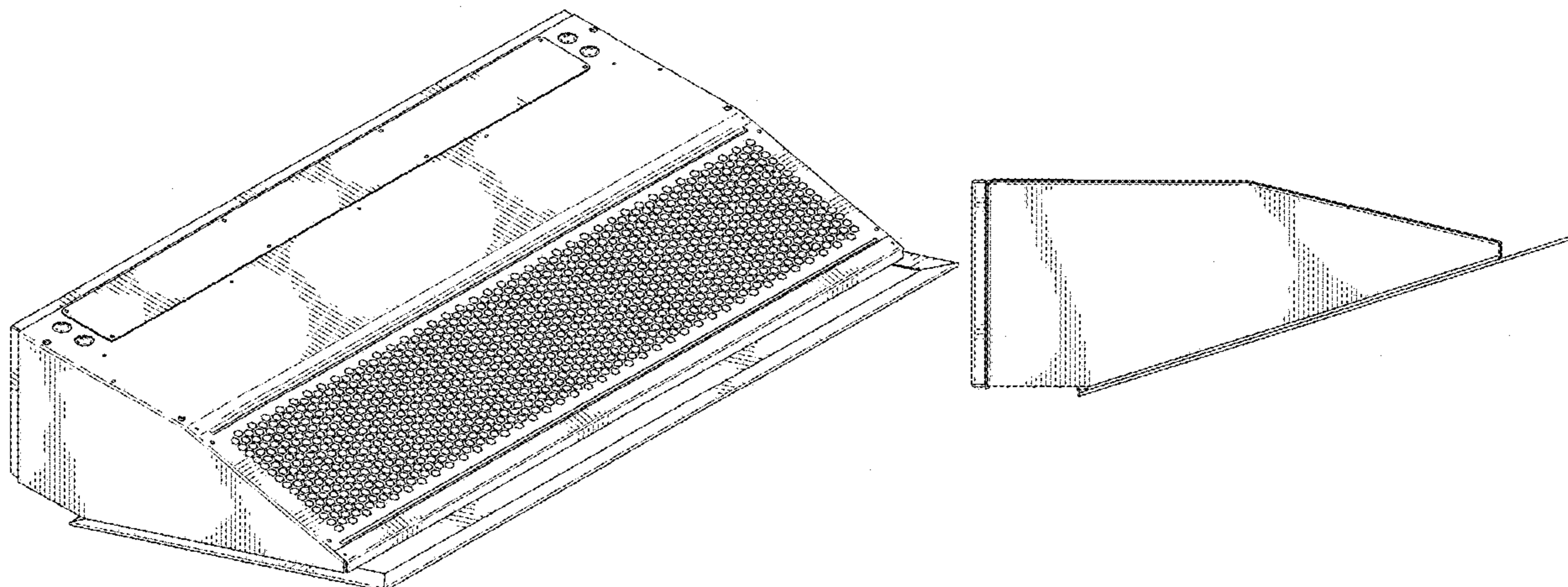
(57) **CLAIM**

The ornamental design for an air curtain, as shown and described.

**DESCRIPTION**

FIG. 1 is a perspective view of the air curtain.  
FIG. 2 is a front elevational view thereof.  
FIG. 3 is a rear elevational view thereof.  
FIG. 4 is a top plan view of the air curtain.  
FIG. 5 is a bottom plan view thereof; and,  
FIG. 6 is an end view on lines 6-6 of FIG. 4.

**1 Claim, 5 Drawing Sheets**



(56)

**References Cited**

U.S. PATENT DOCUMENTS

2018/0135882 A1\* 5/2018 Ikeda ..... F24F 13/20  
2018/0216845 A1\* 8/2018 Whitehead ..... F24F 13/14

OTHER PUBLICATIONS

Awoco 36 Indoor Air Curtain, Nov. 4, 2016, Amazon, site visited  
Nov. 30, 2021: <https://www.amazon.ca/dp/B01LDMUJ6I/> (Year:  
2016).\*

Broan-NuTone BKDN130SS Range Hood, Mar. 30, 2020, Amazon,  
site visited Nov. 30, 2021: [https://www.amazon.ca/dp/  
B01LDMUJ6I/](https://www.amazon.ca/dp/B01LDMUJ6I/) (Year: 2020).\*

\* cited by examiner

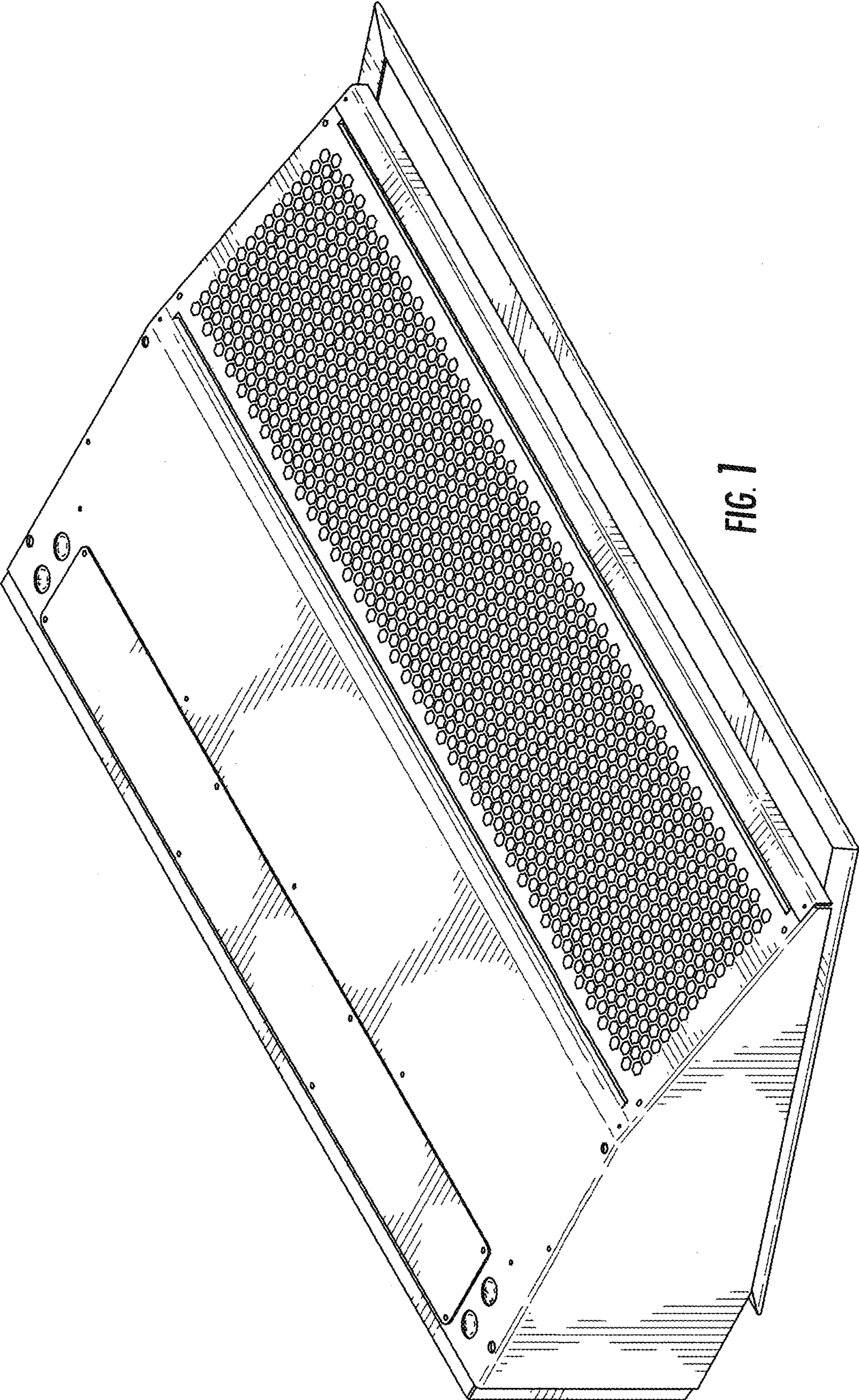


FIG. 1

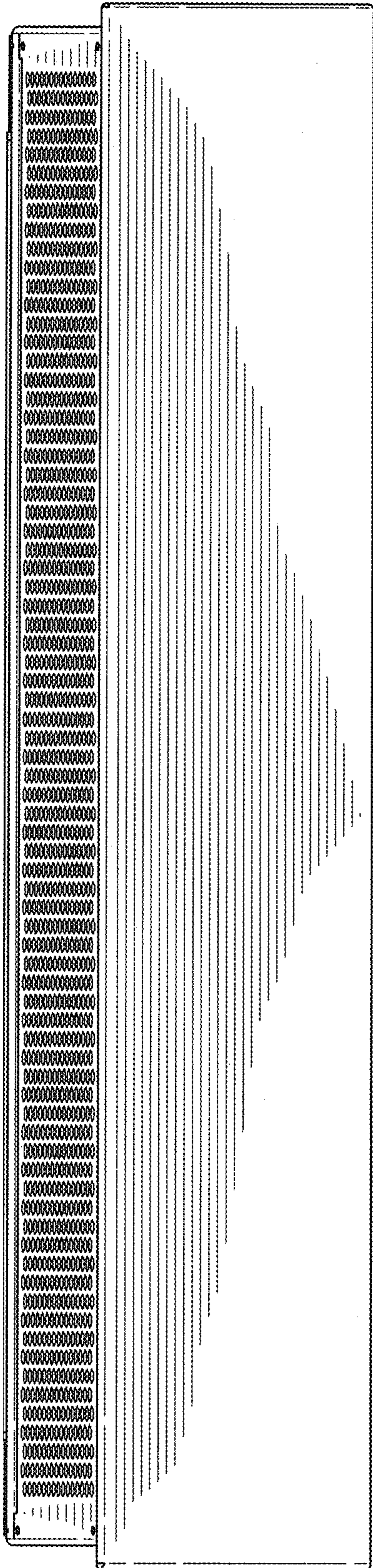


FIG. 2

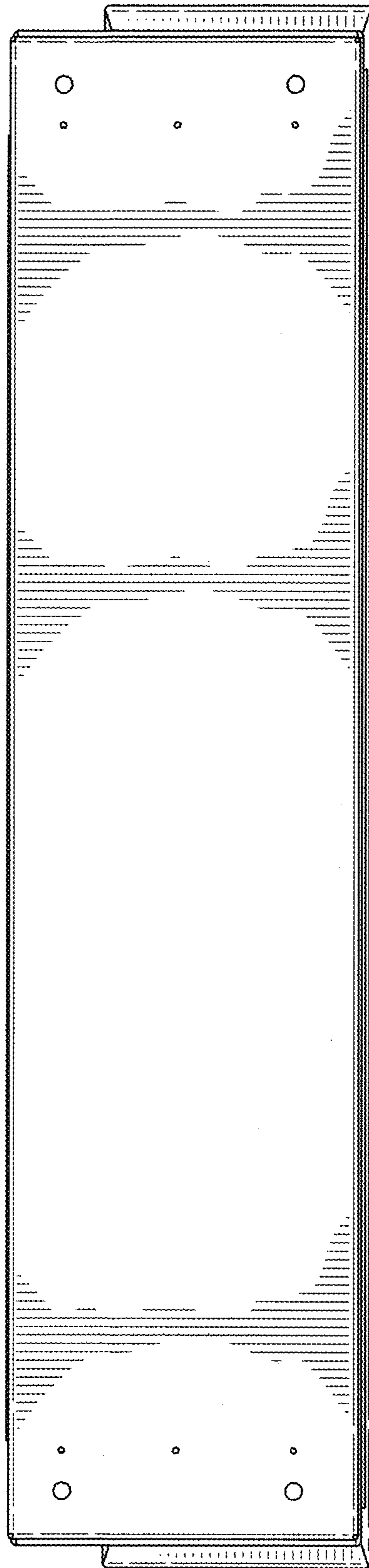


FIG. 3

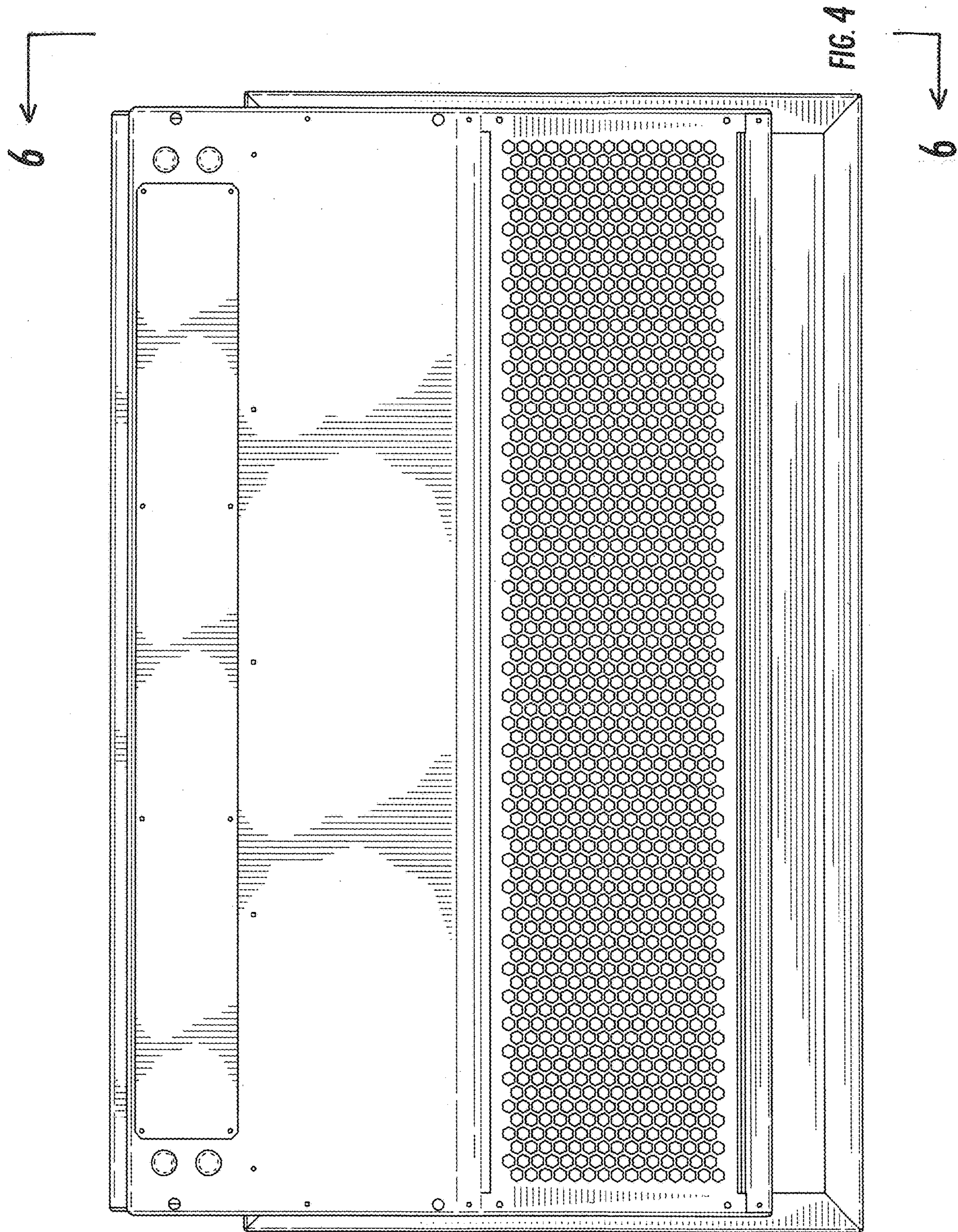
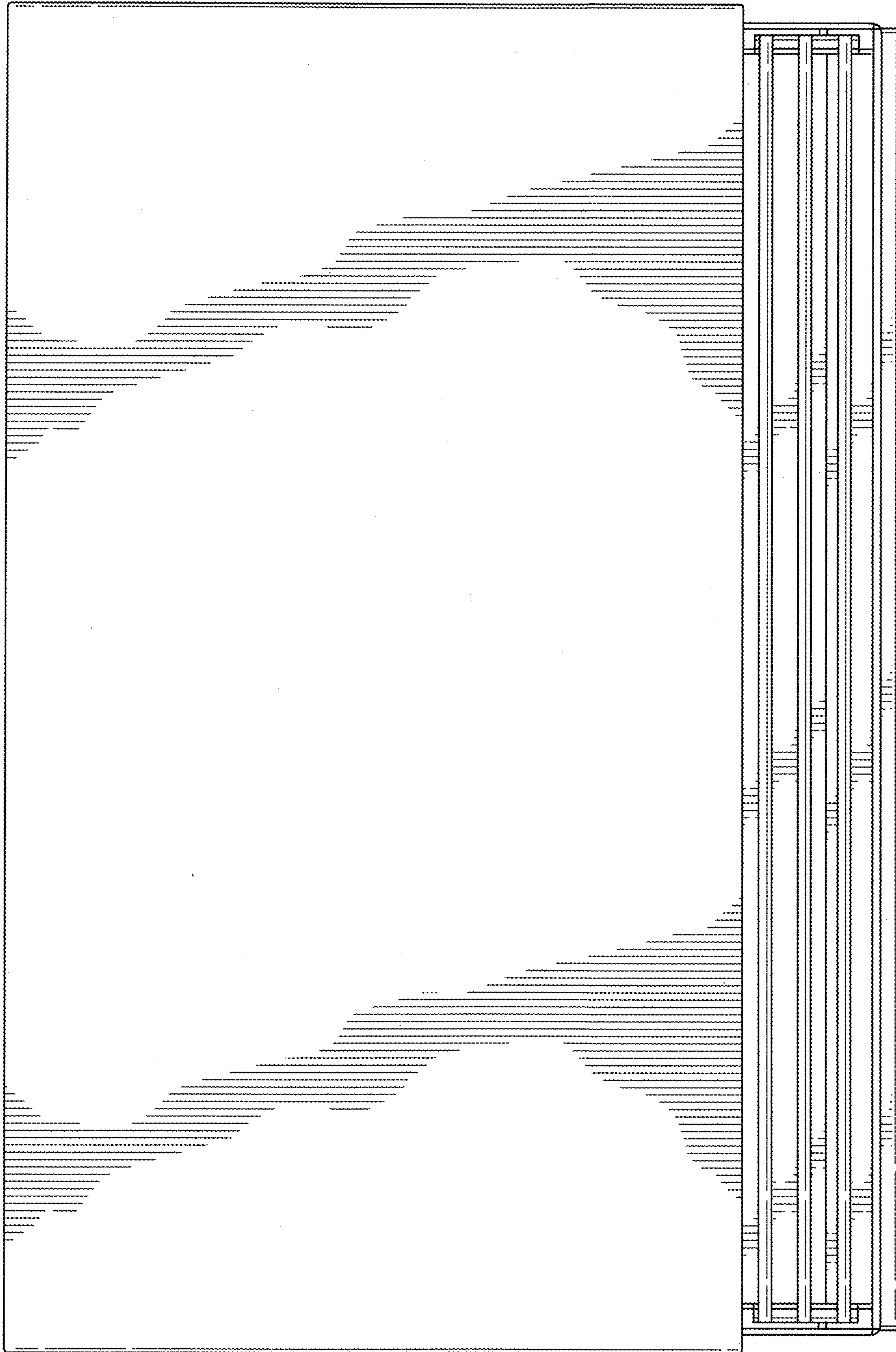
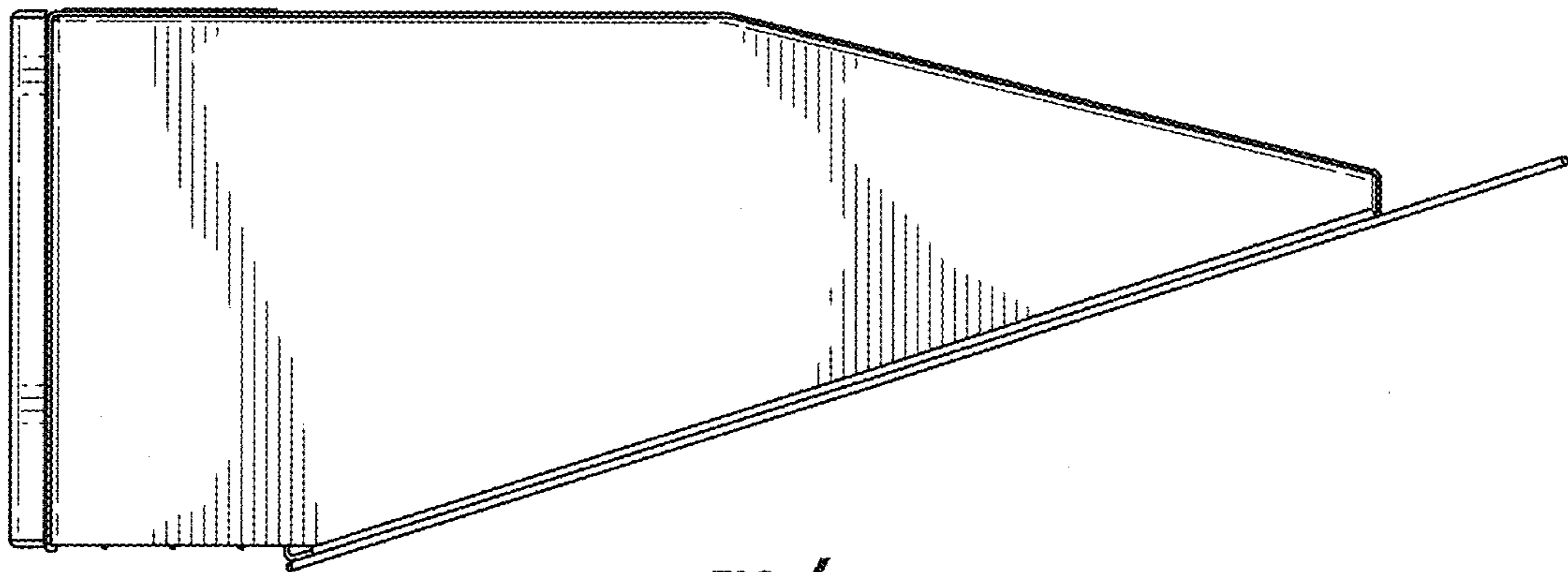


FIG. 5





**FIG. 6**