

US00D945592S

(12) **United States Design Patent**  
**Mo**

(10) **Patent No.:** **US D945,592 S**  
(45) **Date of Patent:** **\*\* Mar. 8, 2022**

(54) **OUTDOOR FLOOR FAN**  
(71) Applicant: **Zhongsheng Mo**, Shaoguan (CN)  
(72) Inventor: **Zhongsheng Mo**, Shaoguan (CN)  
(\*\*) Term: **15 Years**  
(21) Appl. No.: **29/757,768**  
(22) Filed: **Nov. 9, 2020**  
(51) **LOC (13) Cl.** ..... **23-04**  
(52) **U.S. Cl.**  
USPC ..... **D23/382**  
(58) **Field of Classification Search**  
USPC ..... D23/332, 333, 335, 336, 337, 351-352,  
D23/370, 371, 378-383, 411-414  
CPC .... F04D 25/0673; F04D 25/08; F04D 25/084;  
F04D 29/4226  
See application file for complete search history.

D842,448 S \* 3/2019 Ma ..... D23/382  
D875,235 S \* 2/2020 Coleman ..... D23/382  
D919,075 S \* 5/2021 Lin ..... D23/381  
2012/0269663 A1\* 10/2012 Kamiya ..... F04D 25/0673  
417/411  
2016/0208807 A1\* 7/2016 He ..... F04D 25/105

\* cited by examiner

*Primary Examiner* — Sharon S Oum  
(74) *Attorney, Agent, or Firm* — True Shepherd LLC;  
Andrew C. Cheng

(57) **CLAIM**

The ornamental design for outdoor floor fan, as shown and described.

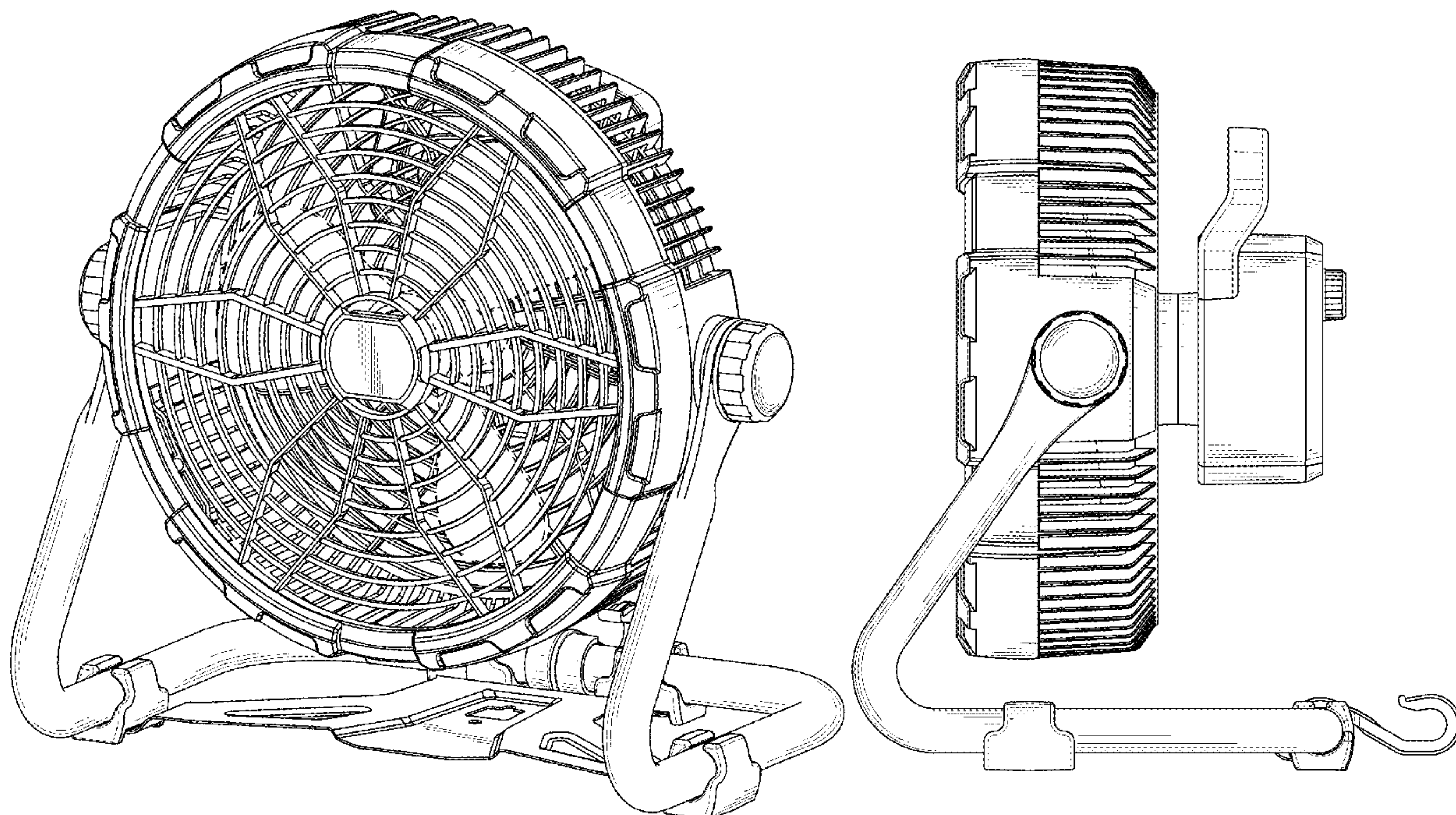
**DESCRIPTION**

FIG. 1 is a perspective view of an outdoor floor fan showing my new design;  
FIG. 2 is another perspective view thereof;  
FIG. 3 is a front view thereof;  
FIG. 4 is a rear view thereof;  
FIG. 5 is a left side view thereof;  
FIG. 6 is a right side view thereof;  
FIG. 7 is a top plan view thereof;  
FIG. 8 is a bottom plan view thereof; and,  
FIG. 9 is an enlarged view of the portion shown in FIG. 4.  
The broken lines encircling the portion of the outdoor floor fan in FIGS. 4 and 9 form no part of the claimed design.

(56) **References Cited**  
U.S. PATENT DOCUMENTS

D97,118 S *	10/1935	Cohen	.....	D23/412
D426,296 S *	6/2000	Blateri	.....	D23/370
D452,734 S *	1/2002	Blateri	.....	D23/370
D480,466 S *	10/2003	Bucher	.....	D23/382
D482,438 S *	11/2003	Barker	.....	D23/382
D483,468 S *	12/2003	Wong	.....	D23/382
D531,718 S *	11/2006	Bucher	.....	D23/382
D674,888 S *	1/2013	Kawase	.....	D23/370
D686,309 S *	7/2013	Kokawa	.....	D23/382
D687,937 S *	8/2013	Nemes	.....	D23/332

**1 Claim, 9 Drawing Sheets**





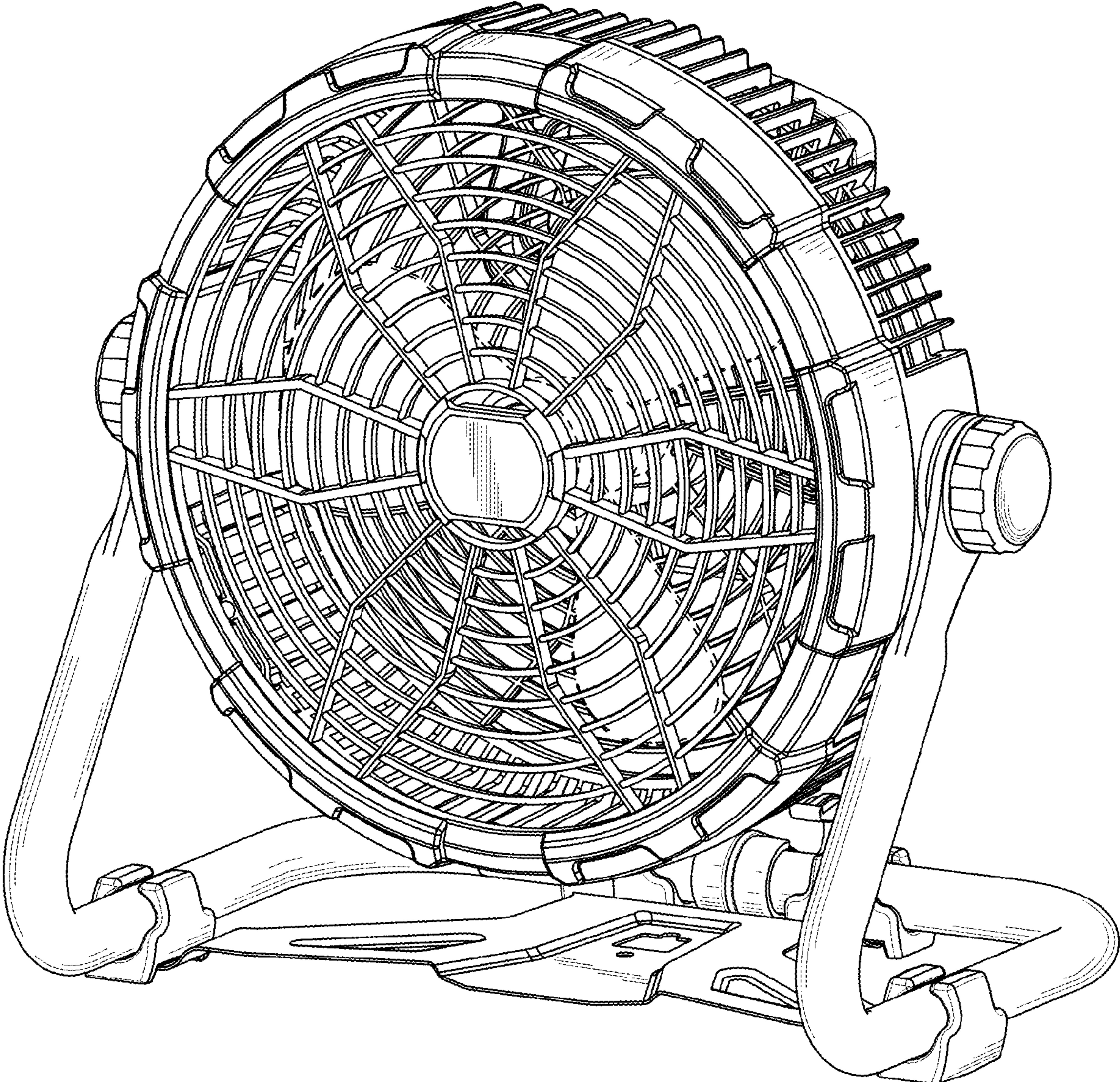


FIG. 1



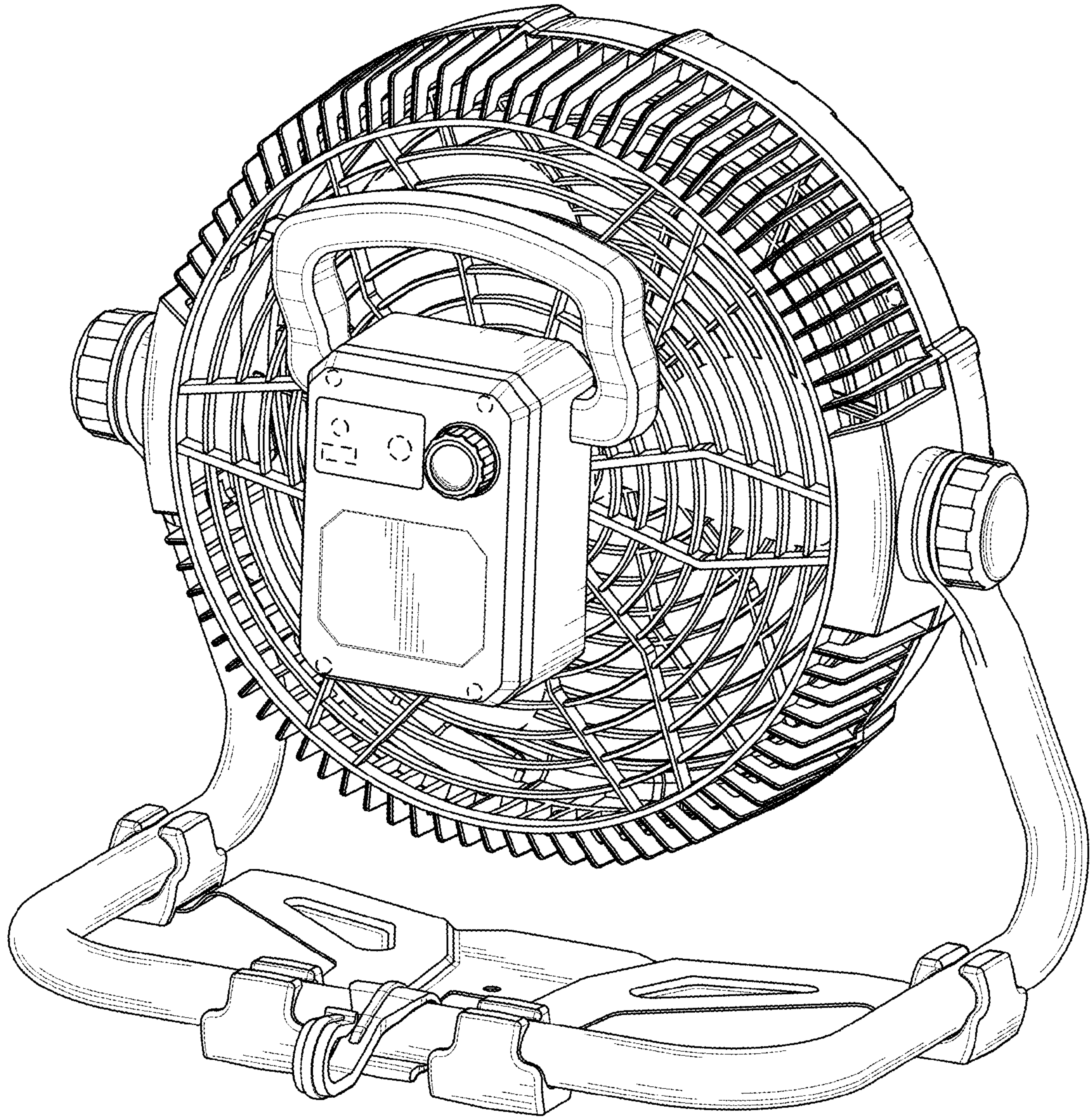


FIG. 2



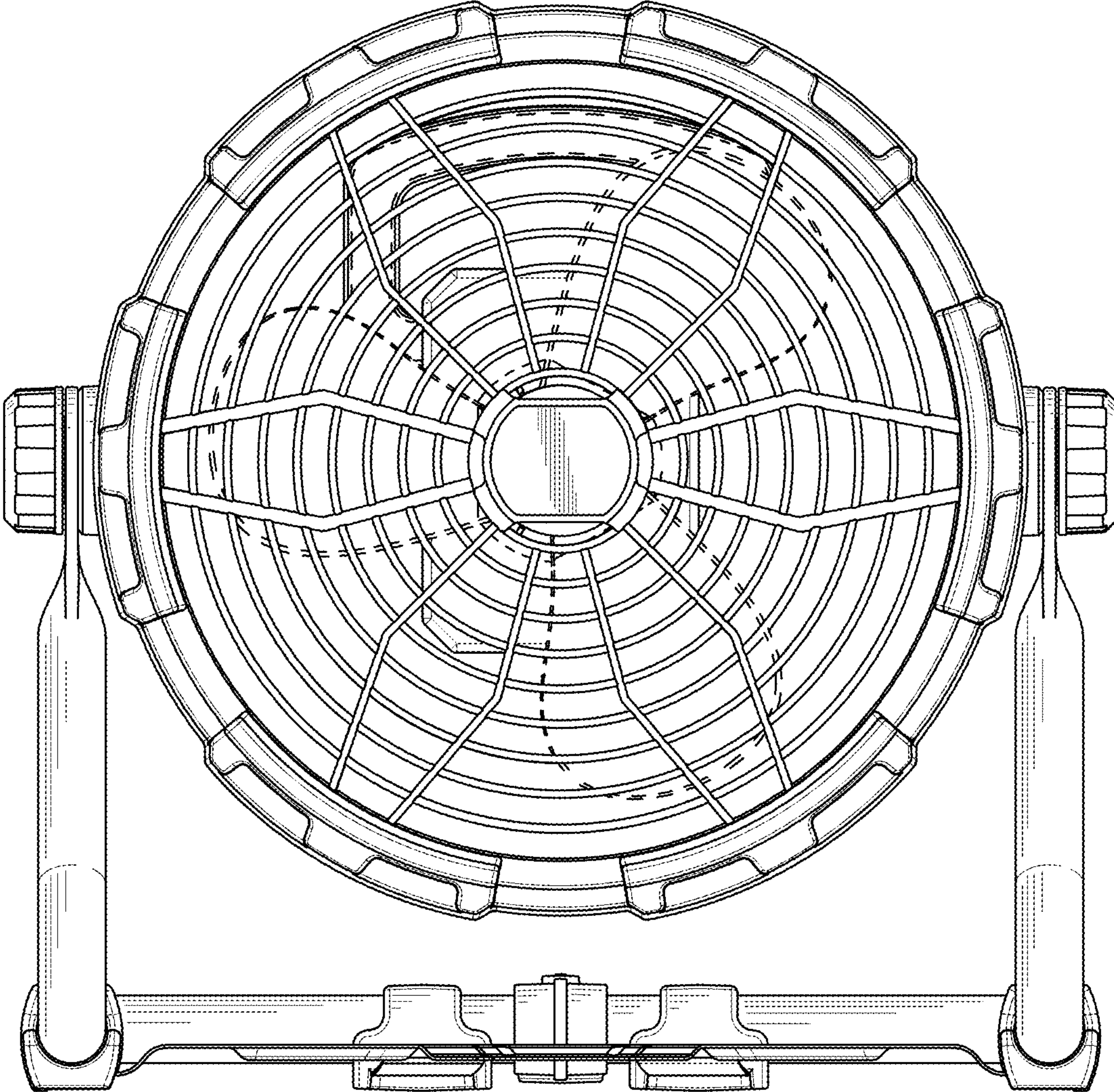


FIG. 3

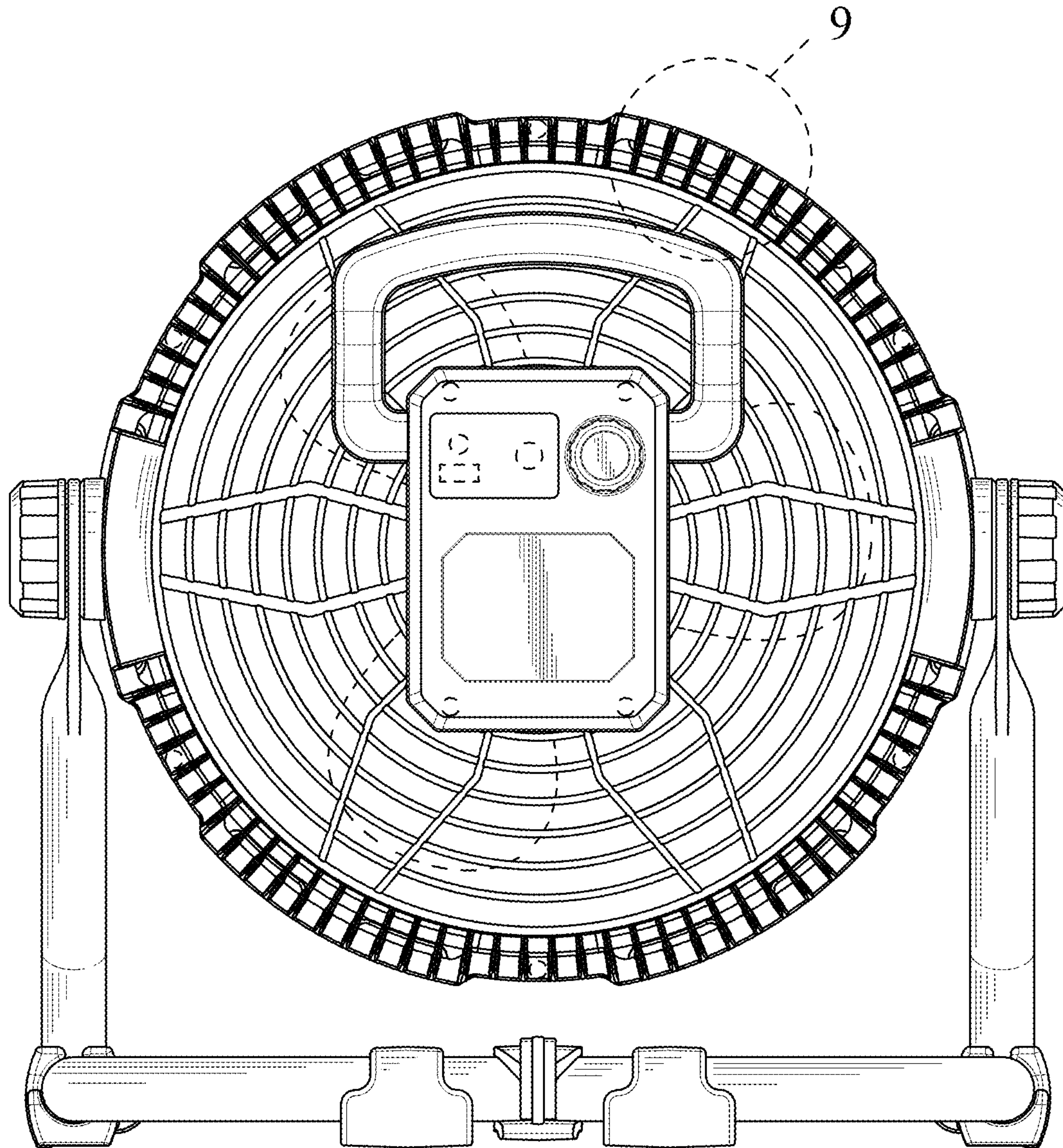


FIG. 4



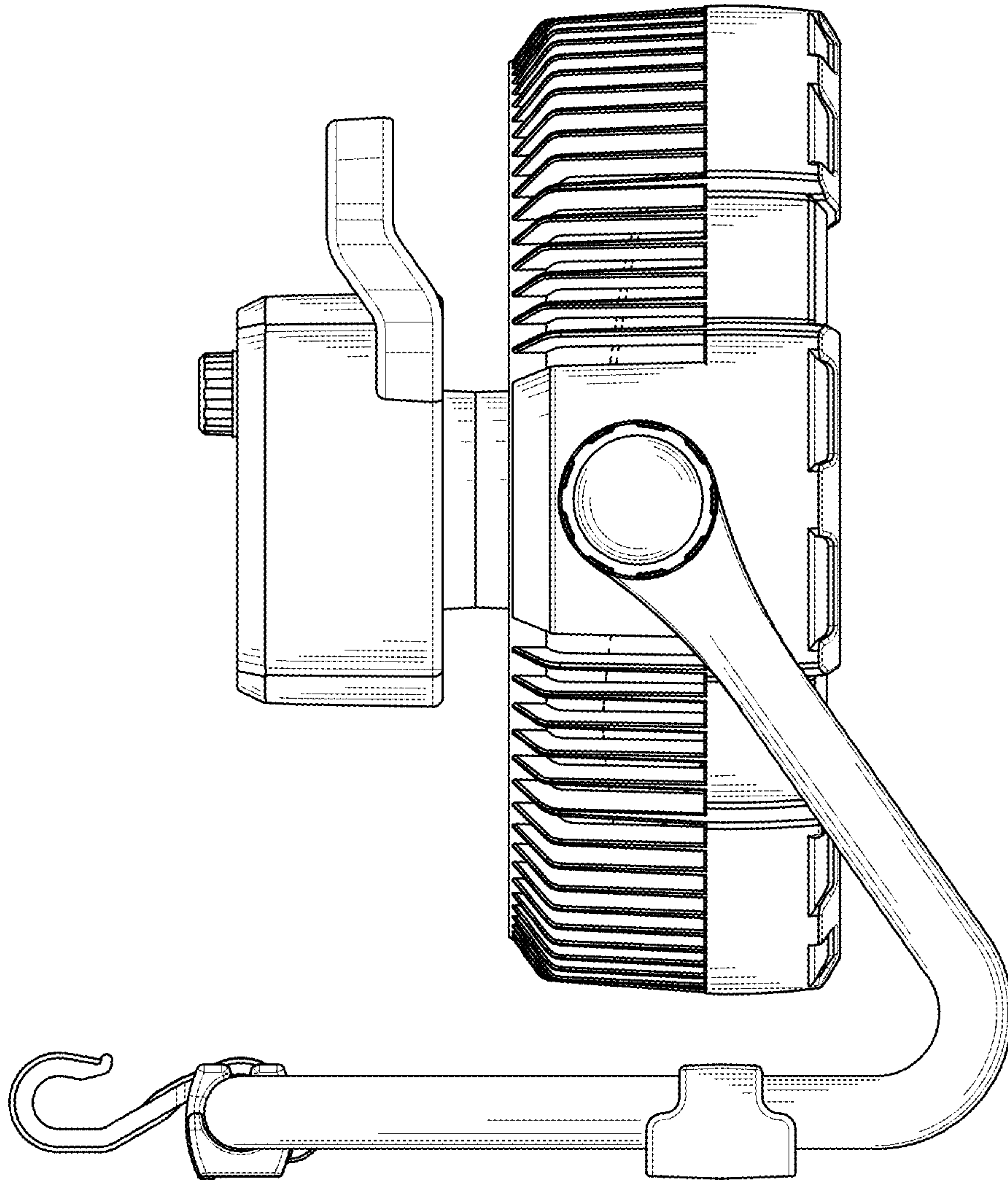


FIG. 5

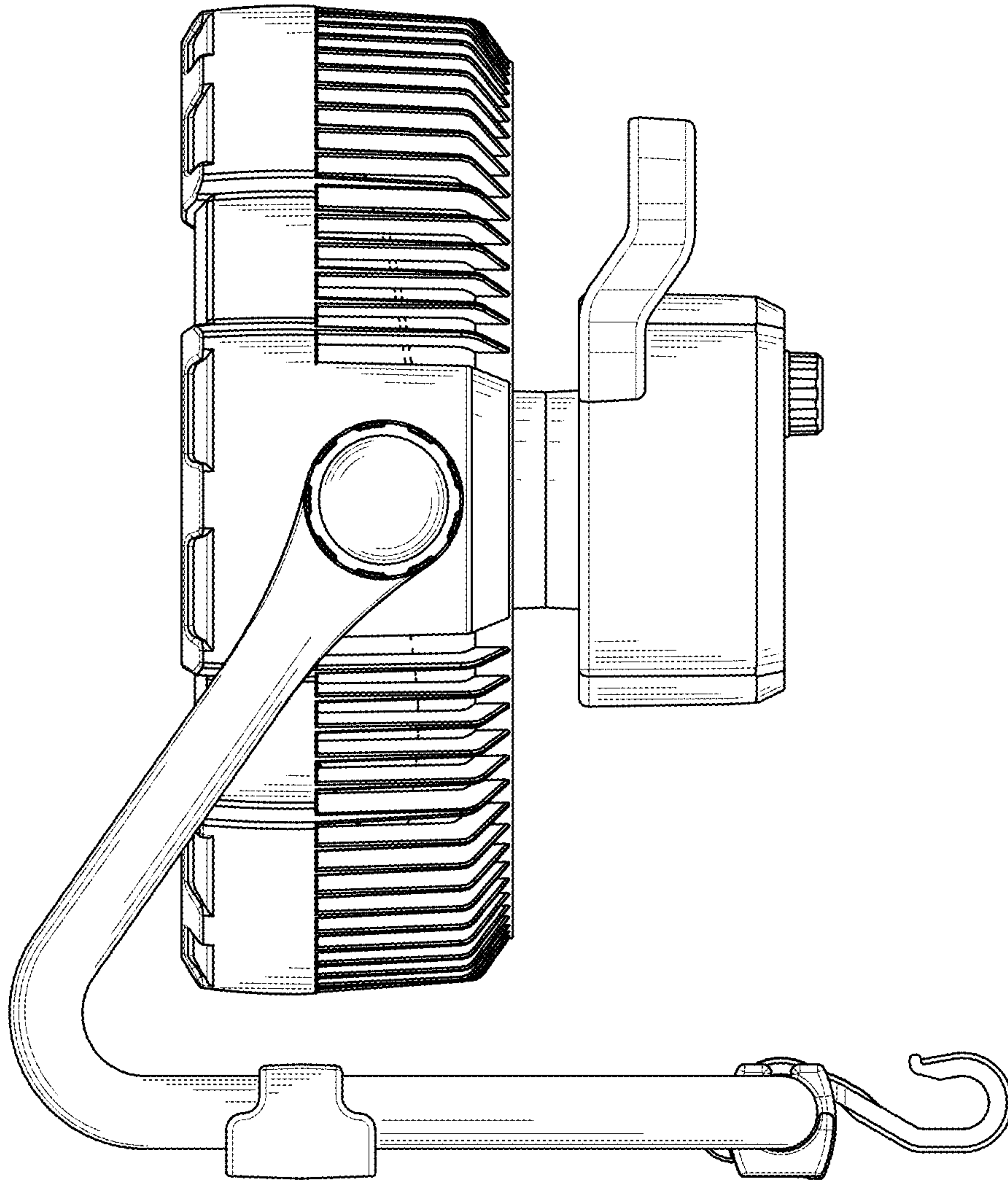


FIG. 6

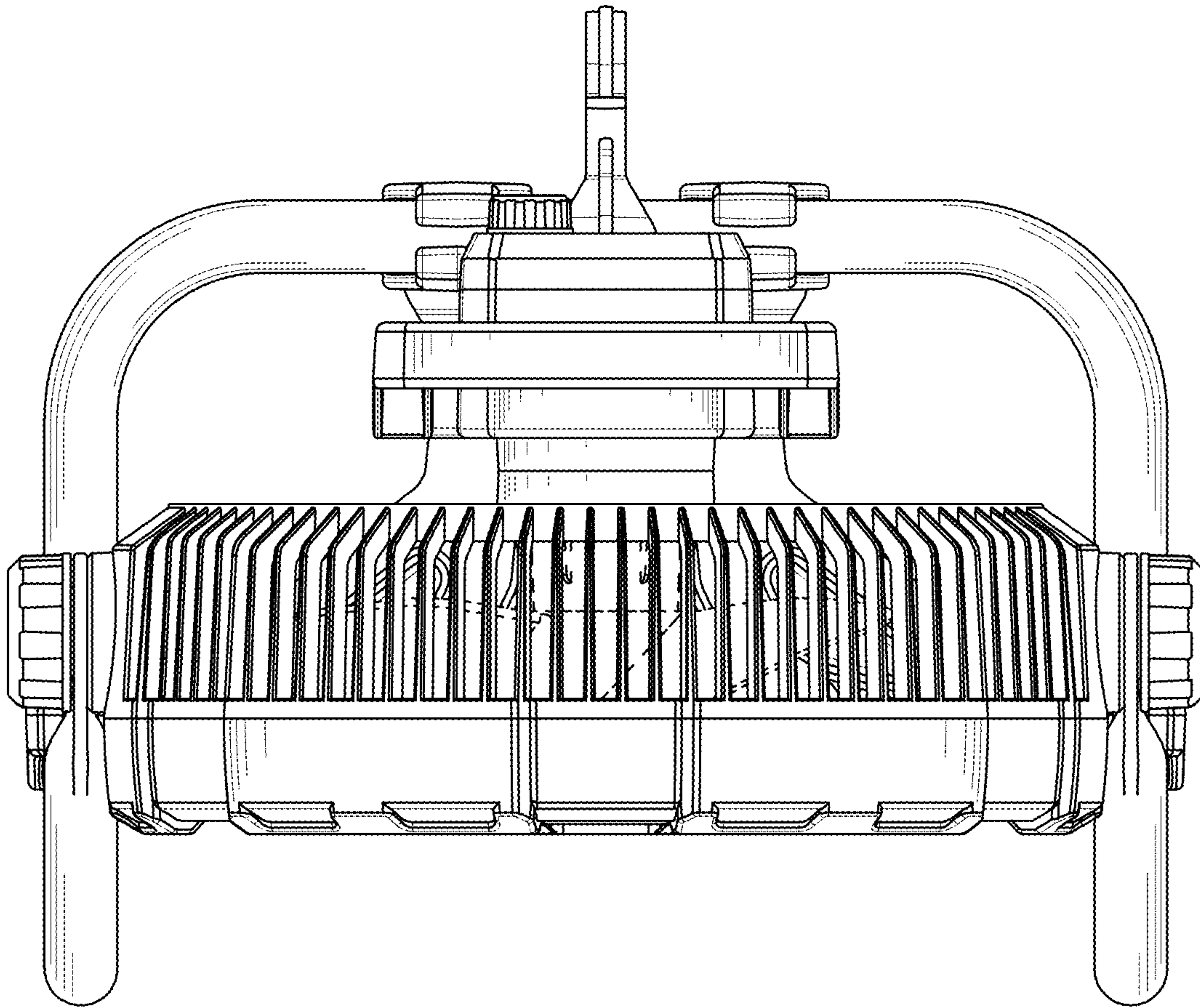


FIG. 7



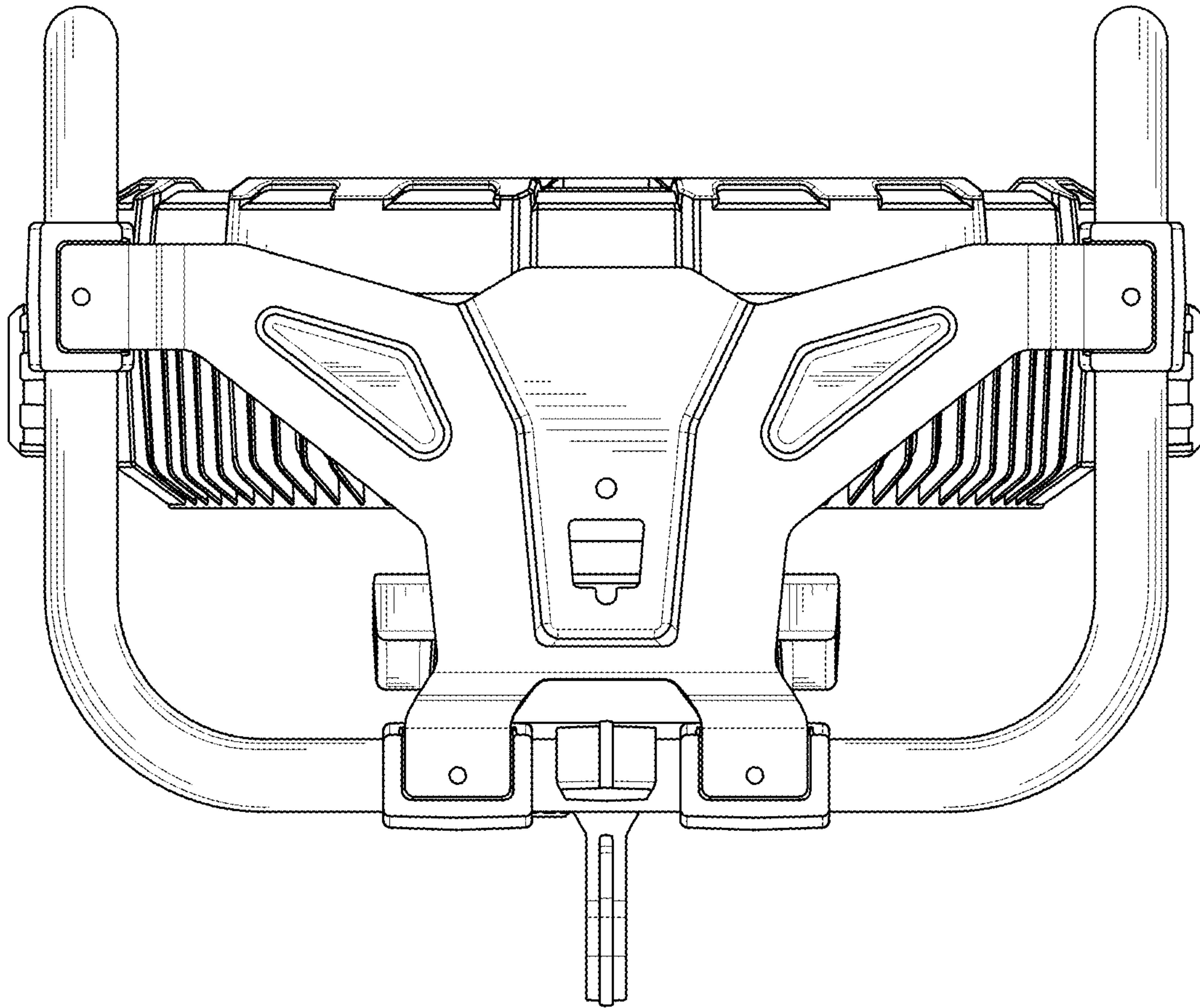


FIG. 8

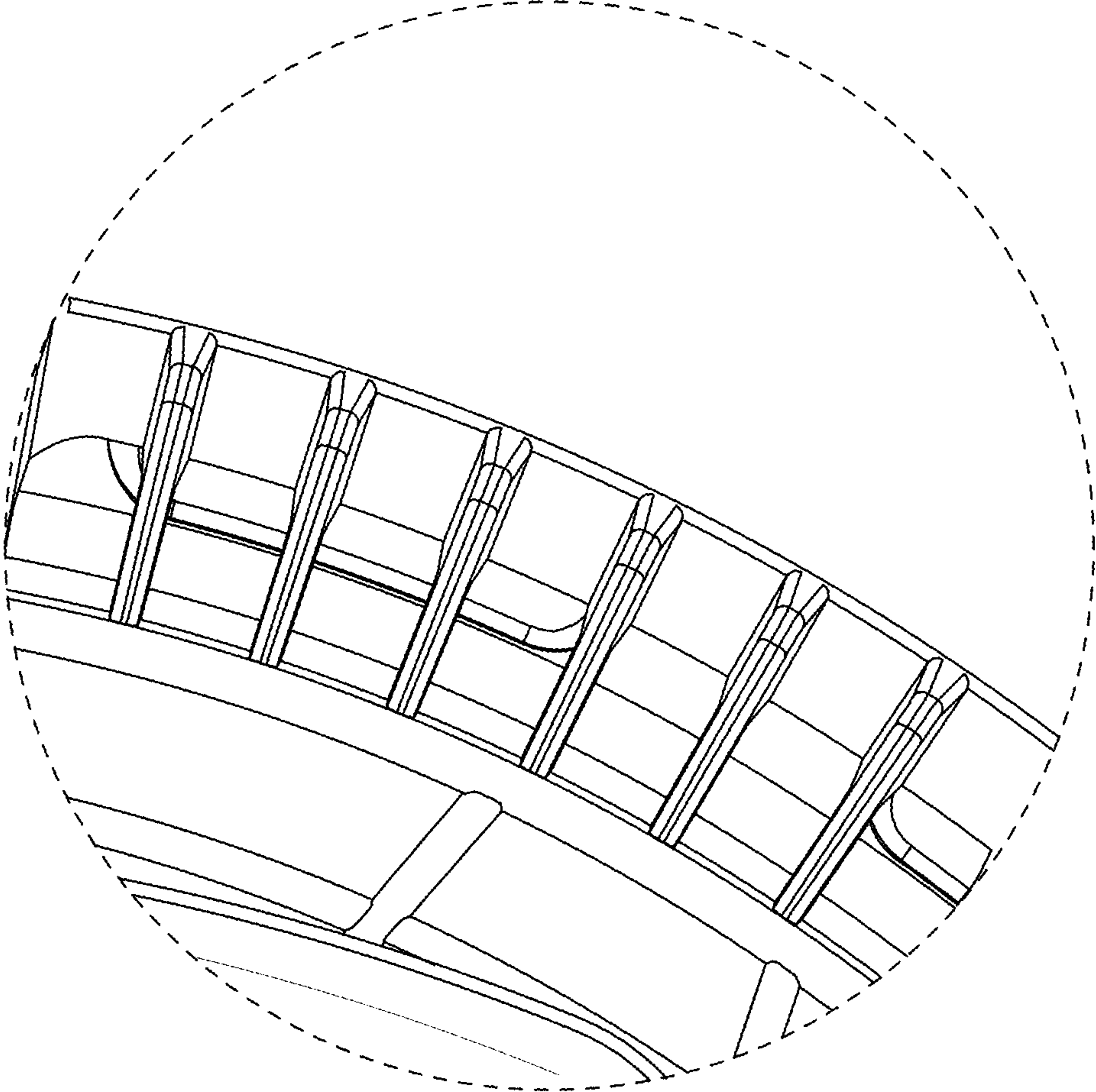


FIG. 9