



US00D945591S

(12) **United States Design Patent**
Mo

(10) **Patent No.:** **US D945,591 S**
(45) **Date of Patent:** **** Mar. 8, 2022**

- (54) **OUTDOOR HANGING FAN**
- (71) Applicant: **Zhongsheng Mo**, Shaoguan (CN)
- (72) Inventor: **Zhongsheng Mo**, Shaoguan (CN)
- (**) Term: **15 Years**
- (21) Appl. No.: **29/757,766**
- (22) Filed: **Nov. 9, 2020**
- (51) **LOC (13) Cl.** **23-04**
- (52) **U.S. Cl.**
USPC **D23/382; D23/377**
- (58) **Field of Classification Search**
USPC D23/332, 333, 335, 336, 337, 351, 370,
D23/371, 377-383, 411-412;
D26/37-38, 59
CPC F04D 25/0673; F04D 25/08; F04D 25/084;
F04D 29/4226
See application file for complete search history.

D686,309 S *	7/2013	Kokawa	D23/382
D846,728 S *	4/2019	Wang	D23/382
D903,849 S *	12/2020	Li	D23/377
D919,075 S *	5/2021	Lin	D23/381
2012/0269663 A1 *	10/2012	Kamiya	F04D 25/0673 417/411

* cited by examiner

Primary Examiner — Sharon S Oum
(74) *Attorney, Agent, or Firm* — True Shepherd LLC;
Andrew C. Cheng

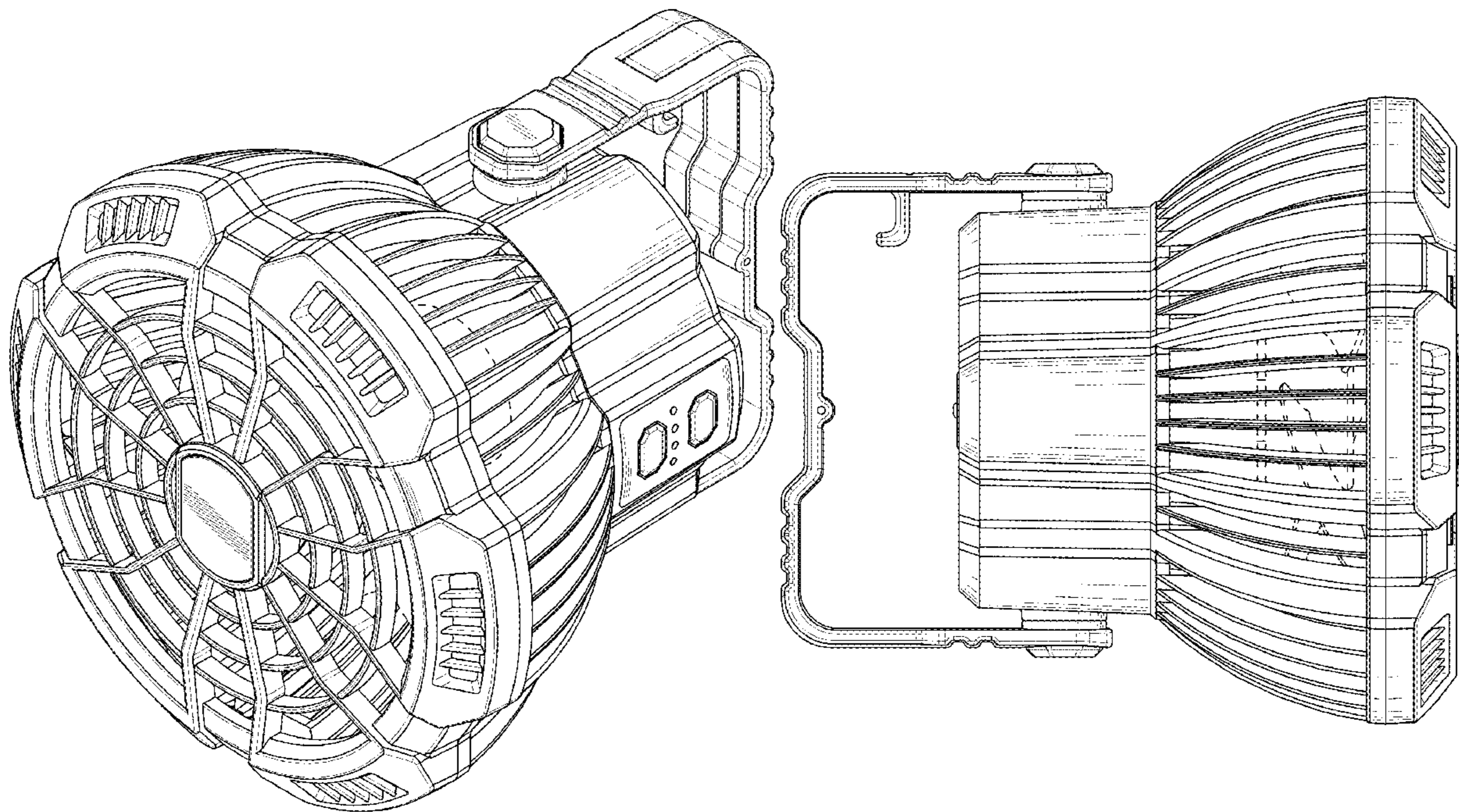
(57) **CLAIM**
The ornamental design for outdoor hanging fan, as shown and described.

DESCRIPTION

FIG. 1 is a perspective view of an outdoor hanging fan showing my new design;
FIG. 2 is another perspective view thereof;
FIG. 3 is a front view thereof;
FIG. 4 is a rear view thereof;
FIG. 5 is a left side view thereof;
FIG. 6 is a right side view thereof;
FIG. 7 is a top plan view thereof; and,
FIG. 8 is a bottom plan view thereof.
The broken lines depict portions of the outdoor hanging fan and form no part of the claimed design.

1 Claim, 8 Drawing Sheets

- (56) **References Cited**
U.S. PATENT DOCUMENTS
D544,595 S * 6/2007 Kung D23/328
D674,888 S * 1/2013 Kawase D23/370



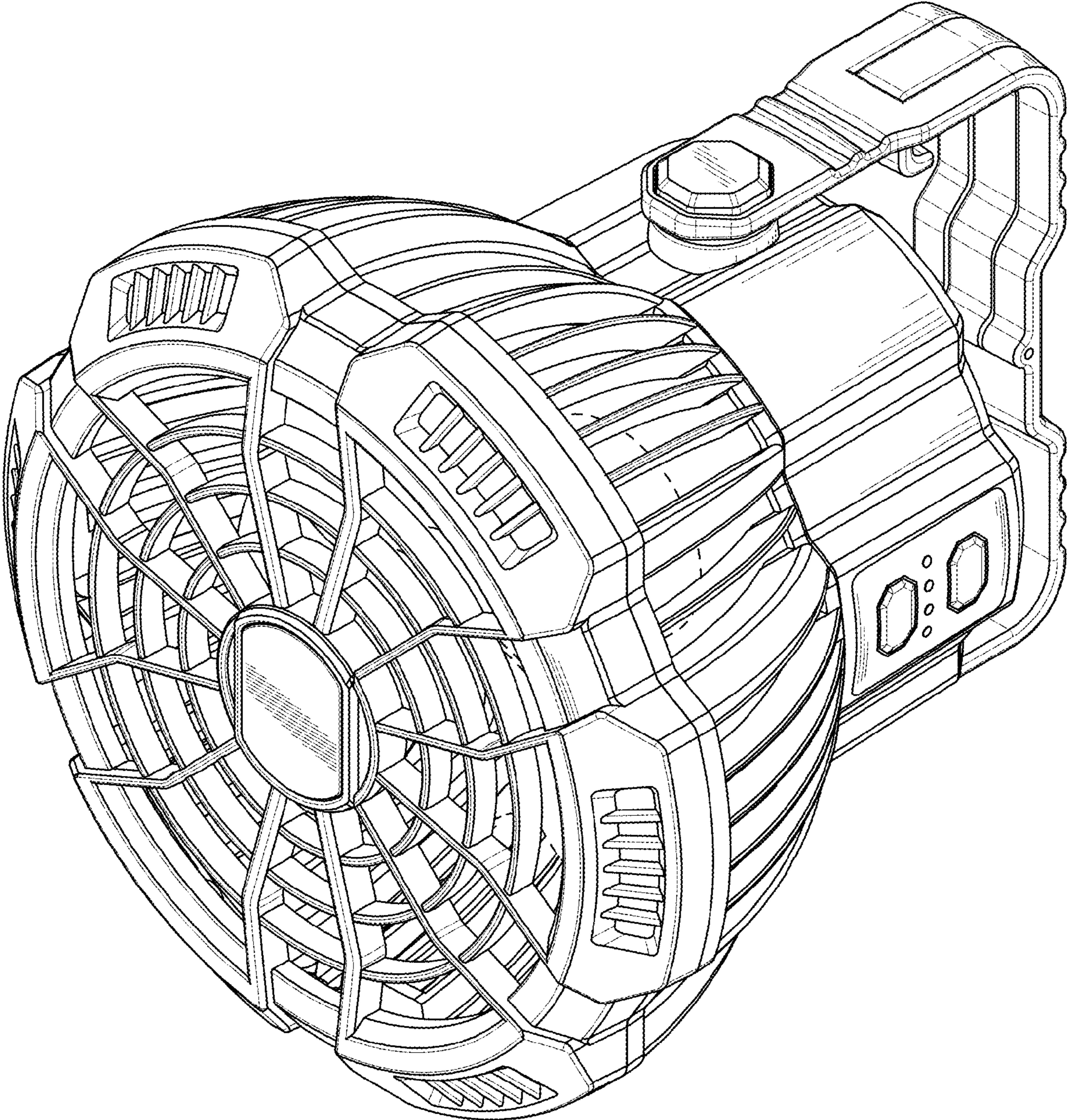


FIG. 1

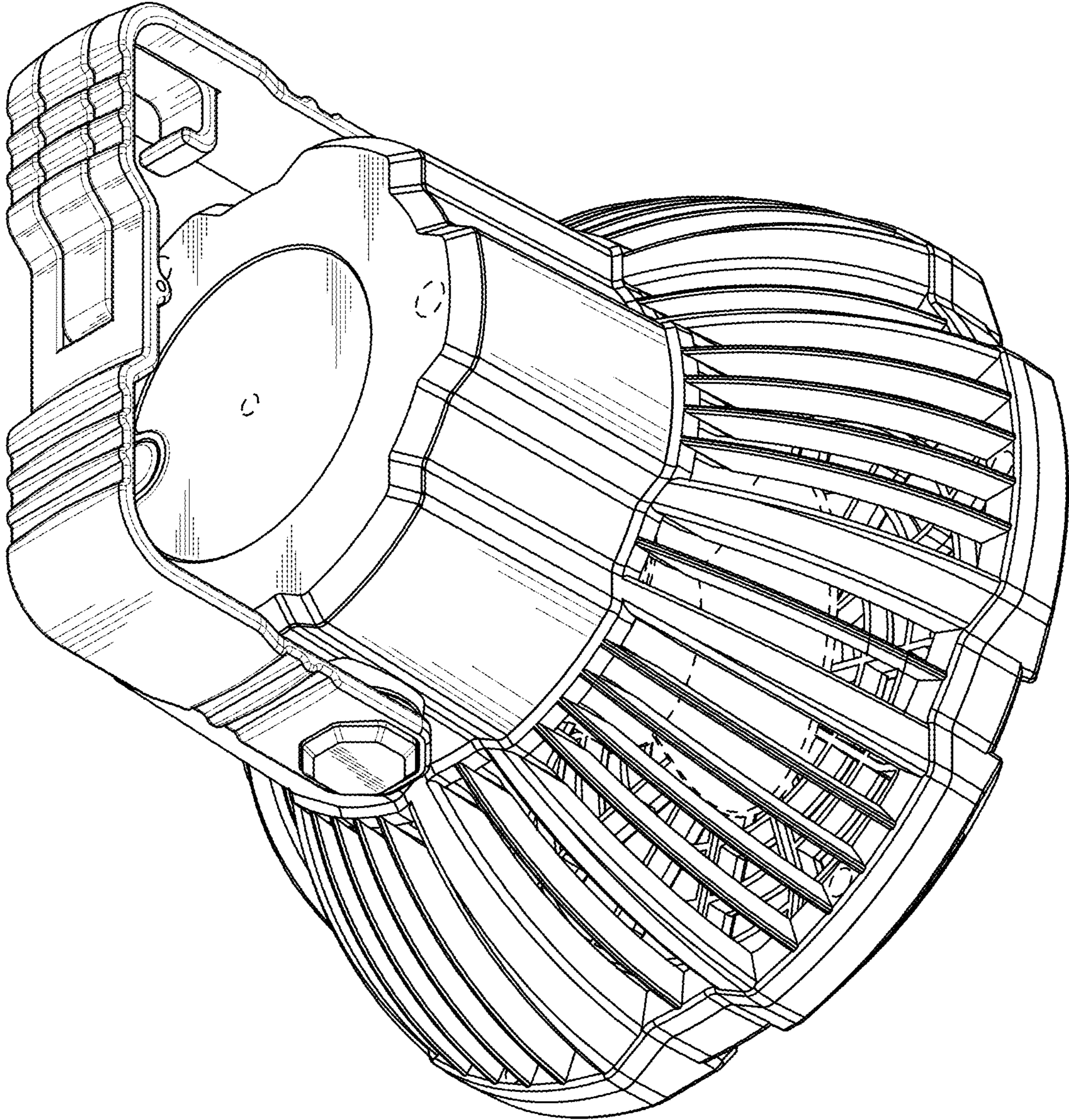


FIG. 2

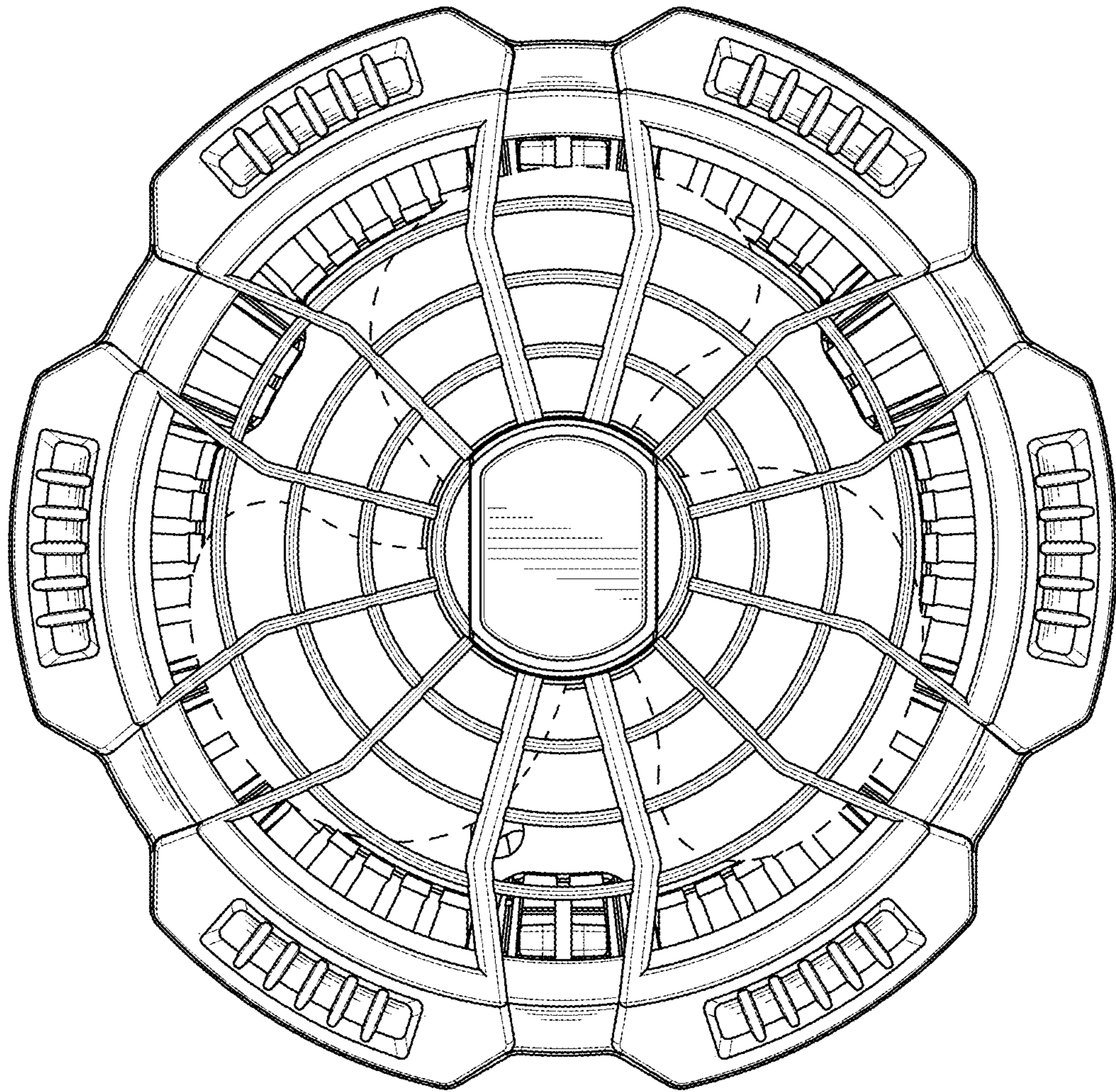


FIG. 3

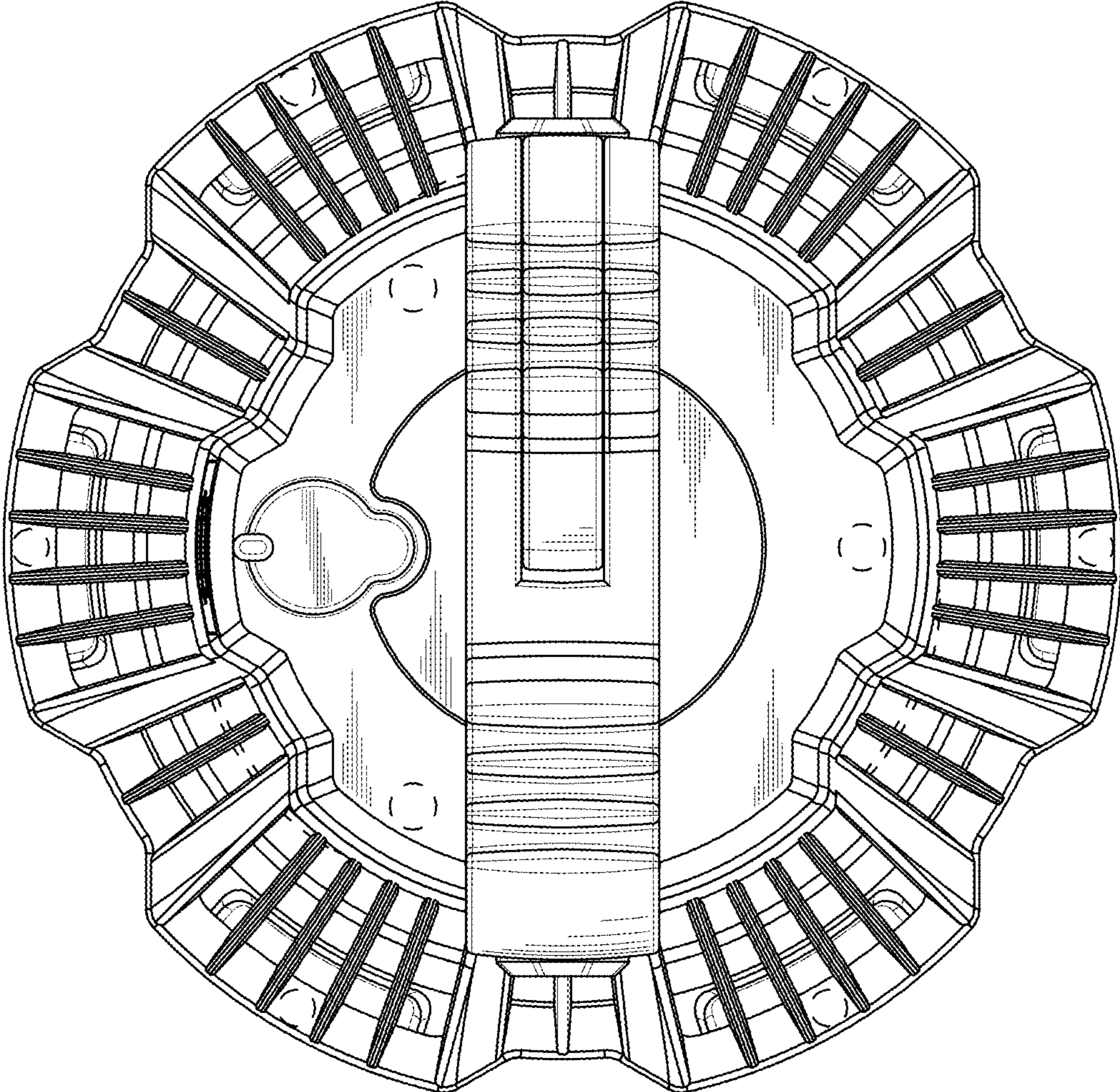


FIG. 4

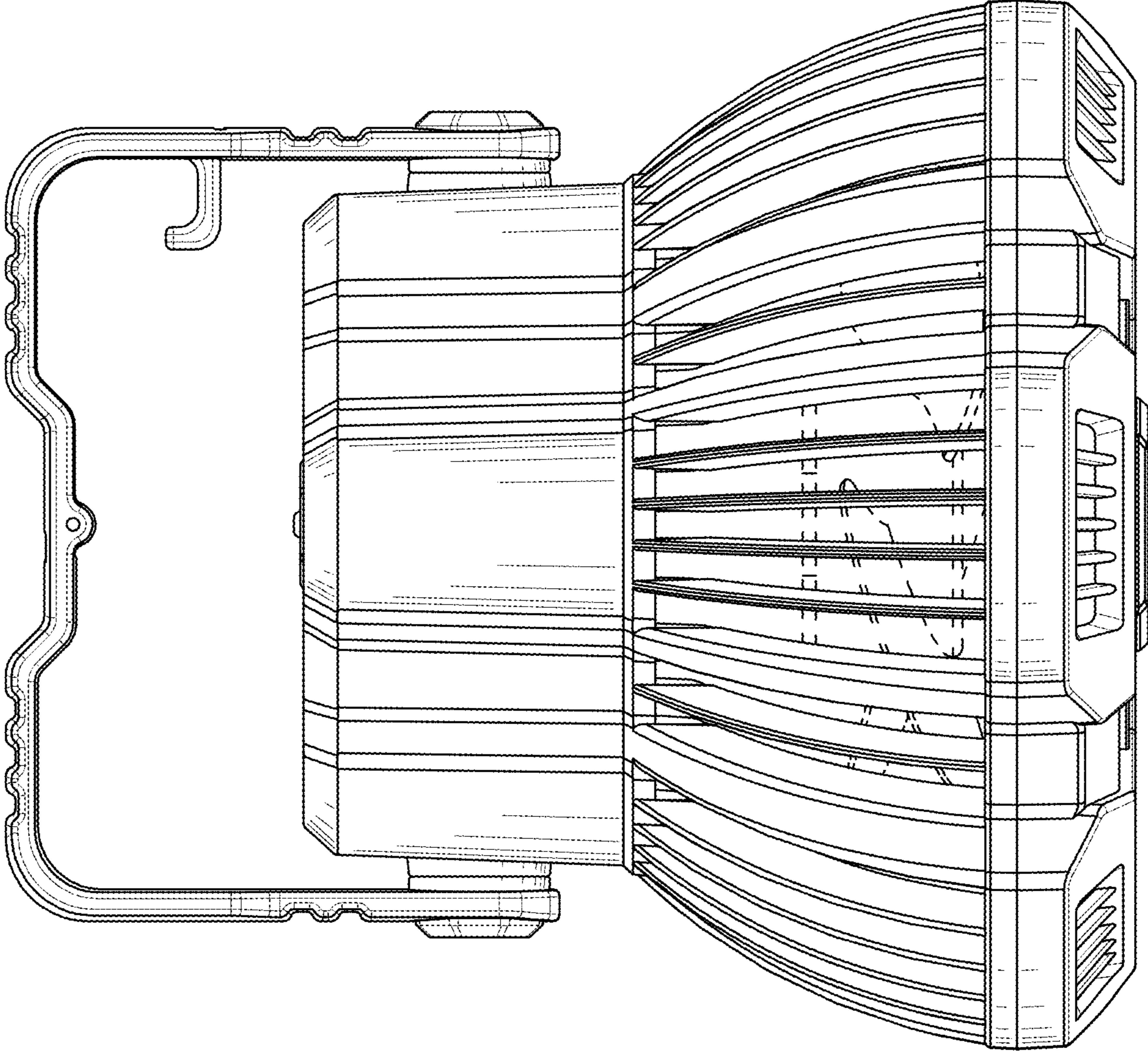


FIG. 5

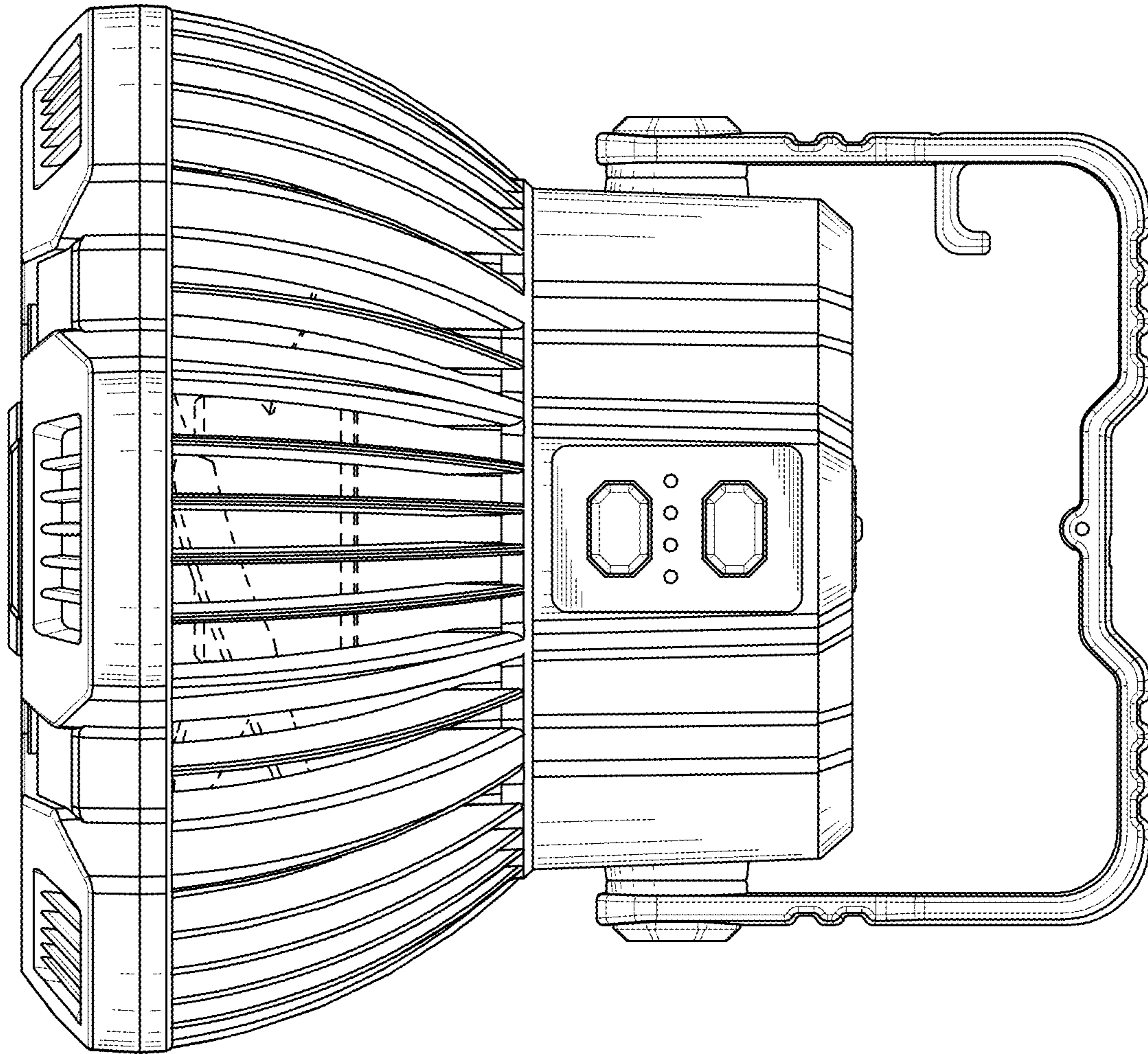


FIG. 6

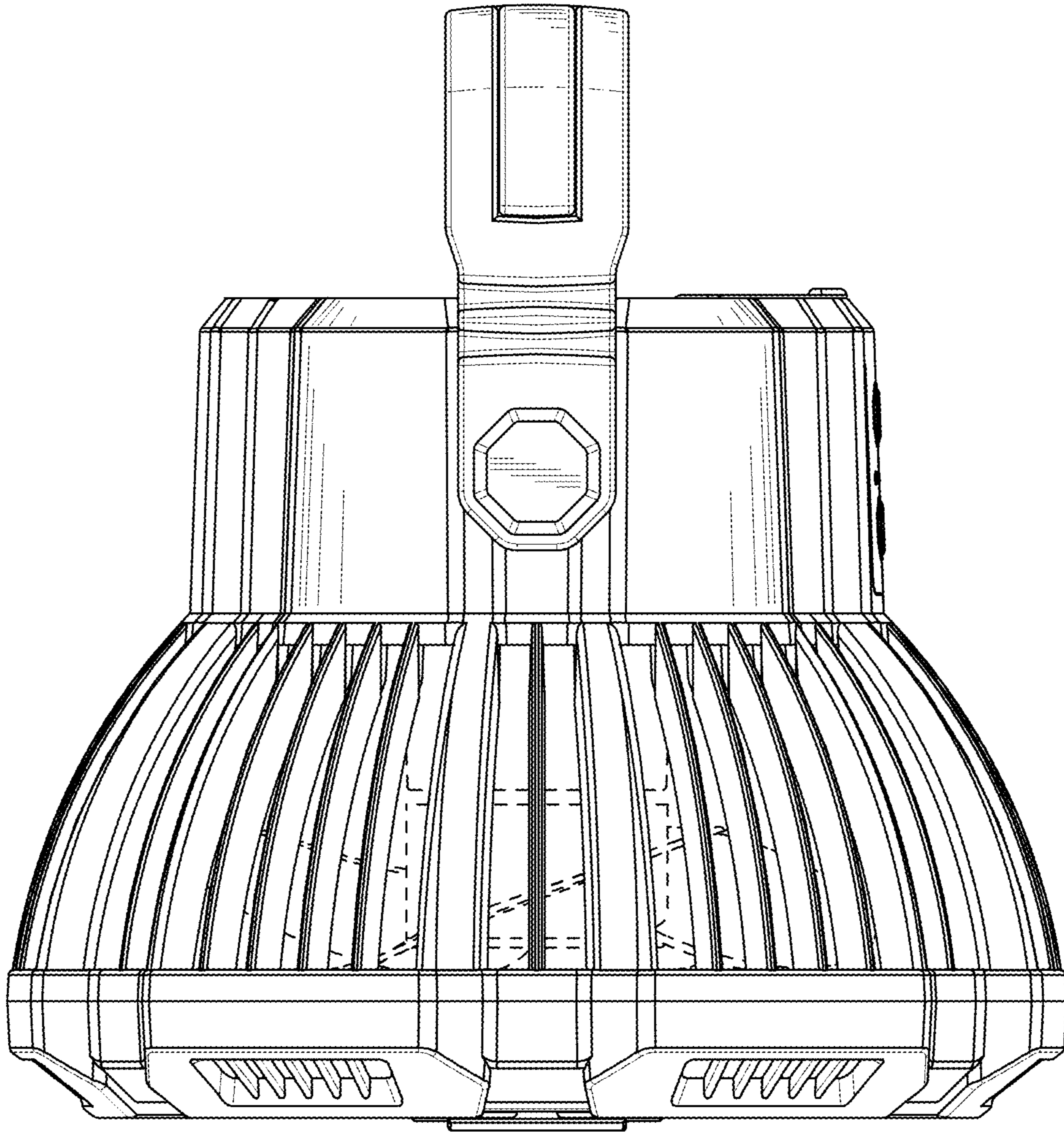


FIG. 7

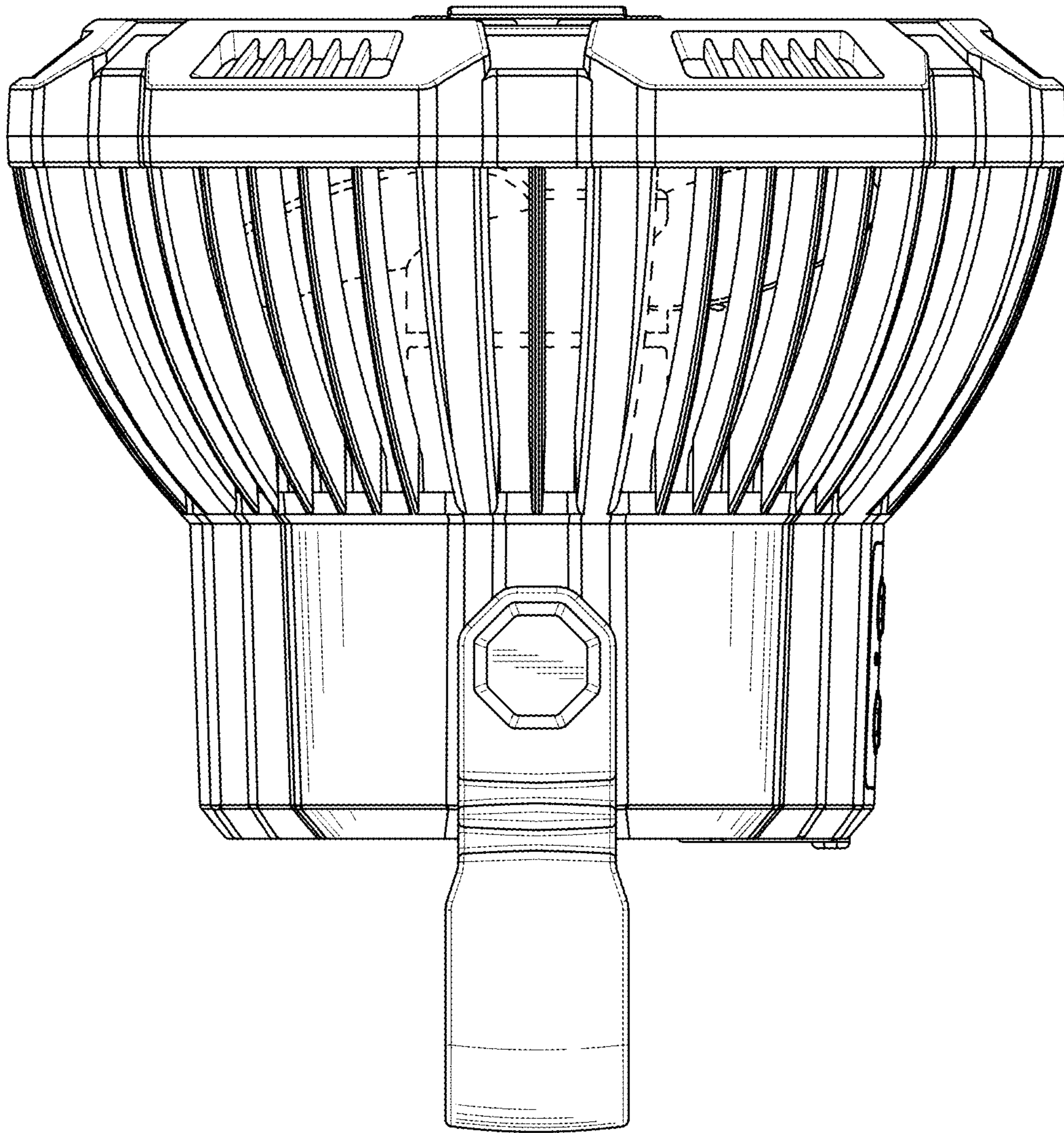


FIG. 8