



US00D945589S

(12) **United States Design Patent** (10) **Patent No.:** **US D945,589 S**  
**Wang** (45) **Date of Patent:** **\*\* \*Mar. 8, 2022**

(54) **ACTIVES DISPENSER**

FOREIGN PATENT DOCUMENTS

(71) Applicant: **S. C. Johnson & Son, Inc.**, Racine, WI (US)

CN 3041856 3/1996  
CN 3631794 4/2007

(Continued)

(72) Inventor: **Wendy Wang**, Shenzhen (CN)

(73) Assignee: **S. C. Johnson & Son, Inc.**, Racine, WI (US)

OTHER PUBLICATIONS

(\*) Notice: This patent is subject to a terminal disclaimer.

Hartz.com, Hartz Dura Play Ball Large, available from Archive.org Aug. 2017, online product page, retrieved Apr. 27, 2020 from< URL:https://www.hartz.com/product/hartz-dura-play-ball-large/> (Year: 2017).

(\*\*) Term: **15 Years**

*Primary Examiner* — Calvin E Vansant

(21) Appl. No.: **29/747,804**

(74) *Attorney, Agent, or Firm* — Quarles & Brady LLP

(22) Filed: **Aug. 25, 2020**

**Related U.S. Application Data**

(63) Continuation of application No. 29/651,456, filed on Aug. 16, 2018, now Pat. No. Des. 898,178.

(51) **LOC (13) Cl.** ..... **23-04**

(52) **U.S. Cl.**  
USPC ..... **D23/366**

(58) **Field of Classification Search**  
USPC .... D23/208, 355–369; D14/209.1, 212–213; D21/708, 713, 714; D32/29.1  
CPC ..... A61L 9/02; A61L 9/03; A61L 9/12; A61L 9/035; A61L 9/125  
See application file for complete search history.

(56) **References Cited**

U.S. PATENT DOCUMENTS

D55,413 S 6/1920 Cigol  
2,078,382 A 4/1937 Hanshaw  
3,790,175 A 2/1974 Ragnow  
4,006,908 A 2/1977 Minami  
4,240,639 A 12/1980 Bolton et al.  
4,458,895 A 7/1984 Turcotte  
4,944,455 A 7/1990 Haust et al.  
5,020,438 A 6/1991 Brown

(Continued)

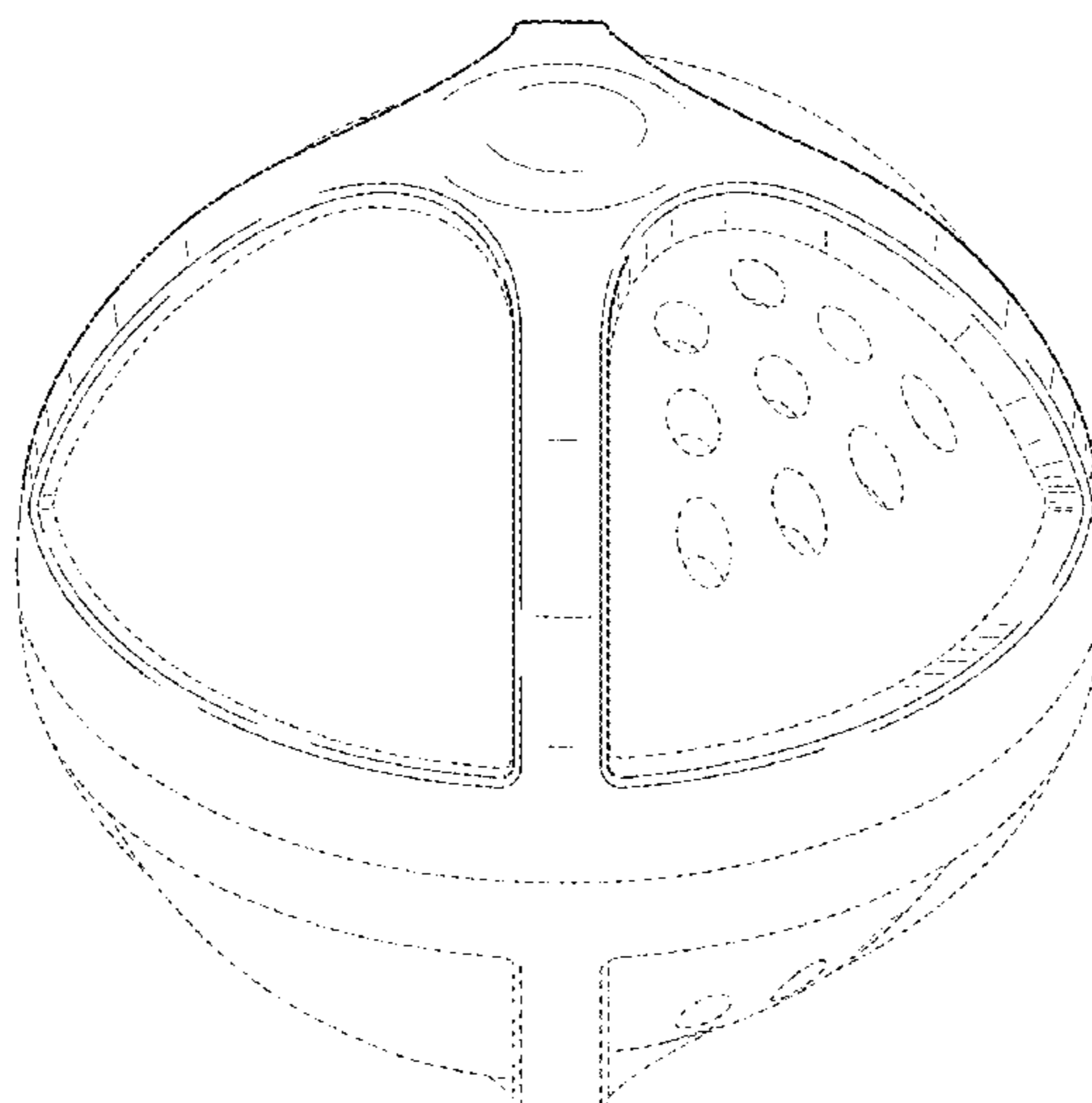
(57) **CLAIM**

The ornamental design for an actives dispenser, as shown and described.

**DESCRIPTION**

FIG. 1 is an isometric view of a top, front, and left side of an ornamental design for an actives dispenser;  
FIG. 2 is a front elevational view of the actives dispenser of FIG. 1;  
FIG. 3 is a rear elevational view of the actives dispenser of FIG. 1;  
FIG. 4 is a right side elevational view of the actives dispenser of FIG. 1;  
FIG. 5 is a left side elevational view of the actives dispenser of FIG. 1; and,  
FIG. 6 is a top plan view of the actives dispenser of FIG. 1. The dash-dash-dash-dash broken lines are included for the purpose of illustrating portions that form no part of the claimed design. The dash-dot-dash broken lines are included for the purpose of representing an unclaimed region, which forms no part of the claimed design.

**1 Claim, 4 Drawing Sheets**



(56)

References Cited

FOREIGN PATENT DOCUMENTS

U.S. PATENT DOCUMENTS			FOREIGN PATENT DOCUMENTS		
			CN	300823985	9/2008
			CN	301412409	12/2010
D345,788 S	4/1994	Green	CN	301566867	6/2011
5,526,966 A	6/1996	Lutzker	CN	301648417	8/2011
D372,750 S	8/1996	Schloss	CN	301655370	8/2011
D408,482 S	4/1999	Morrison	CN	302383931	4/2013
D468,378 S	1/2003	Routzong	CN	302722398	1/2014
D503,758 S	4/2005	Crane et al.	CN	302882929	7/2014
6,880,765 B2	4/2005	Tuomikoski et al.	CN	303267658	7/2015
D510,991 S	10/2005	Harbutt et al.	CN	303291759	7/2015
D536,081 S	1/2007	Steinel	CN	303416425	10/2015
D547,430 S	7/2007	Low	CN	303552105	1/2016
D579,163 S	10/2008	Schablinger	CN	303613254	3/2016
D584,391 S	1/2009	Howlett et al.	CN	303827159	8/2016
7,631,814 B2	12/2009	Zarembinski	CN	303827160	8/2016
D617,439 S	6/2010	Valentino et al.	CN	303863830	9/2016
D636,682 S	4/2011	Gilliard, II	CN	205615316 U	10/2016
D639,922 S	6/2011	Howlett et al.	CN	304032110	2/2017
D643,167 S	8/2011	Cheng	CN	304046520	2/2017
D644,936 S	9/2011	Gilliard, II	CN	304322538	10/2017
8,020,785 B2	9/2011	Chao	CN	304363923	11/2017
D646,447 S	10/2011	Lozano	CN	304375973	11/2017
D646,449 S	10/2011	Cheng	CN	304381026	12/2017
D648,405 S	11/2011	Wu	CN	304462168	1/2018
D662,804 S	7/2012	Larson	CN	304585600	4/2018
D663,368 S	7/2012	Denner	CN	304609148	5/2018
D680,698 S	4/2013	McWilliams	CN	304647265	5/2018
D707,776 S	6/2014	Rubey	EM	000292453-0001	2/2005
D718,397 S	11/2014	Nagi	EM	000292453-0002	2/2005
9,259,499 B2	2/2016	Atkinson et al.	EM	000529896-0001	5/2006
D770,710 S	11/2016	Li et al.	EM	000529896-0002	5/2006
9,694,098 B2	7/2017	Atkinson et al.	EM	000529896-0003	5/2006
D798,658 S	10/2017	Masifilo	EM	000529896-0004	5/2006
D802,157 S	11/2017	Kasuto et al.	EM	000529896-0005	5/2006
D805,145 S	12/2017	Loffelmann et al.	EM	000529896-0006	5/2006
D817,562 S	5/2018	Markham	EM	000645676-0001	1/2007
D819,748 S	6/2018	Luk	EM	000645676-0002	1/2007
D820,426 S	6/2018	Li	EM	000668132-0001	2/2007
D834,300 S	11/2018	Sapara, Jr.	EM	000668132-0002	2/2007
D898,178 S *	10/2020	Wang ..... D23/366	EM	000804794-0001	10/2007
2003/0080197 A1	5/2003	Tuomikoski et al.	EM	001743519-0001	8/2010
2003/0131803 A1	7/2003	Willinger et al.	EM	001743519-0002	8/2010
2006/0054104 A1	3/2006	Gick	EM	001846130-0001	4/2011
2007/0001023 A1	1/2007	Green et al.	EM	002045708-0001	5/2012
2010/0281928 A1	11/2010	Martin	EM	000126446-0001	1/2014
2011/0256967 A1	10/2011	Shore	EM	003731801-0006	1/2017
2015/0299933 A1	10/2015	Oh	EM	004542595-0001	12/2017
2017/0260672 A1	9/2017	Keyes	WO	DM/033945	8/1995
			WO	DM043934	5/2013

\* cited by examiner

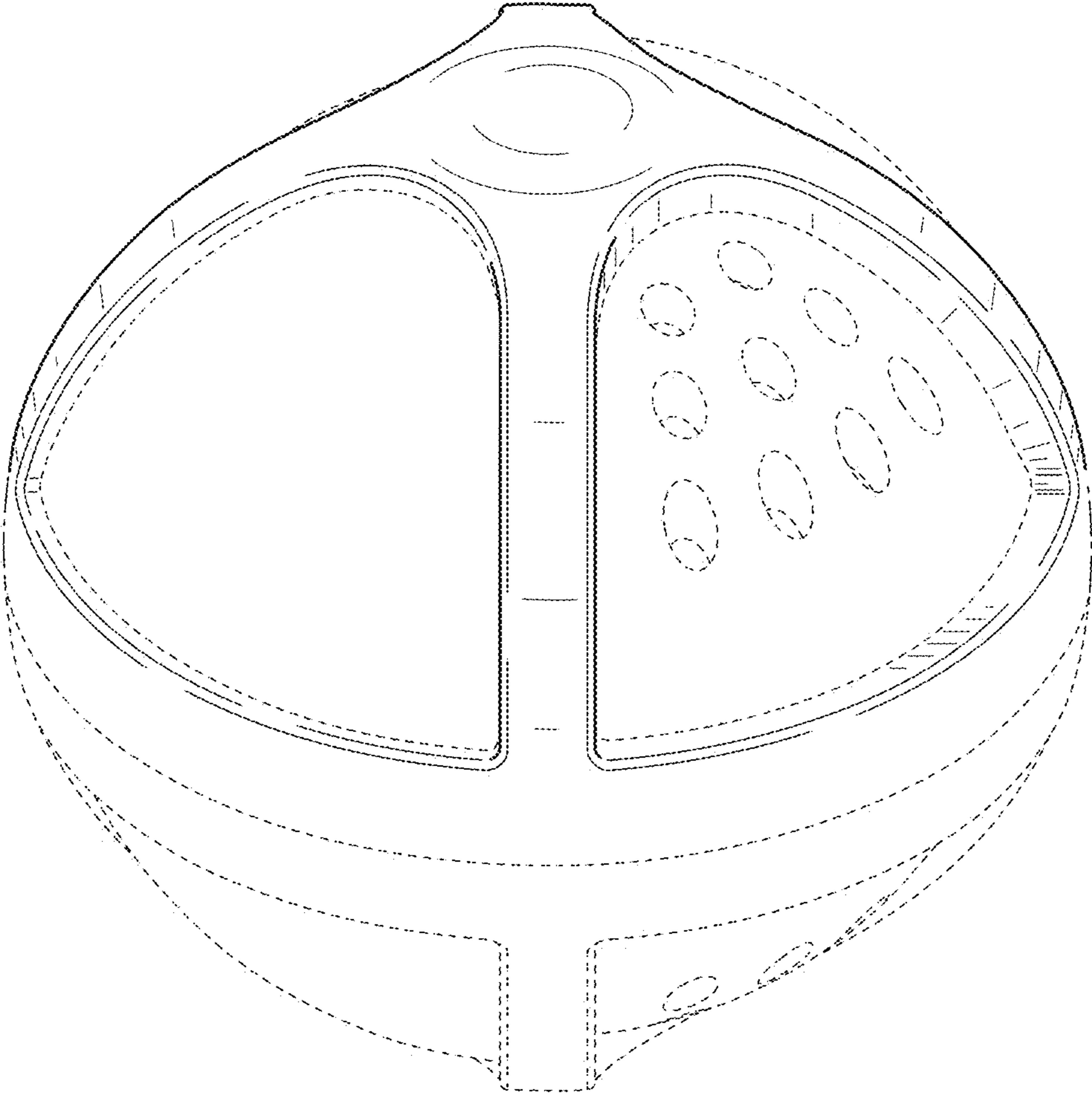


FIG. 1



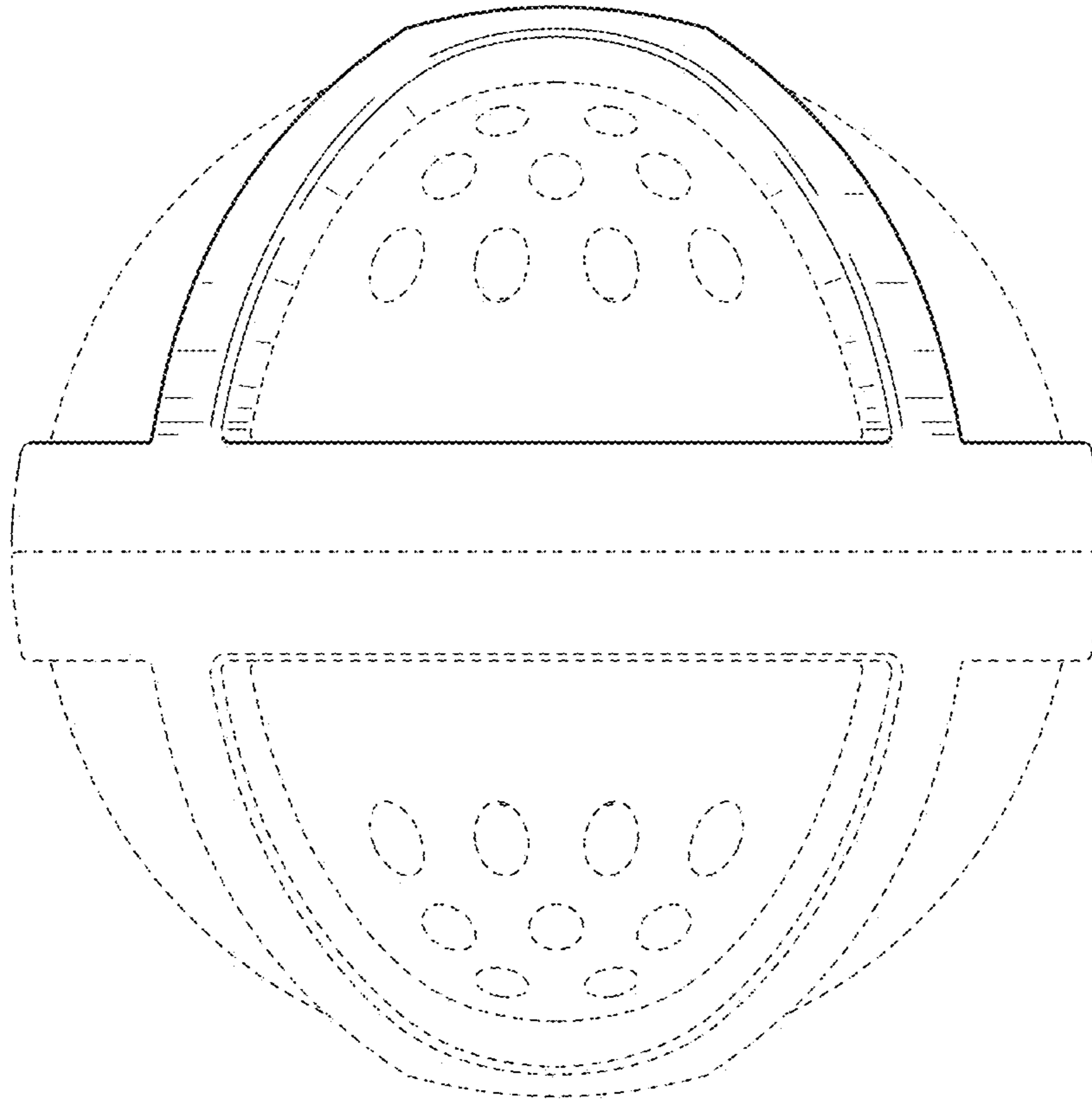


FIG. 2

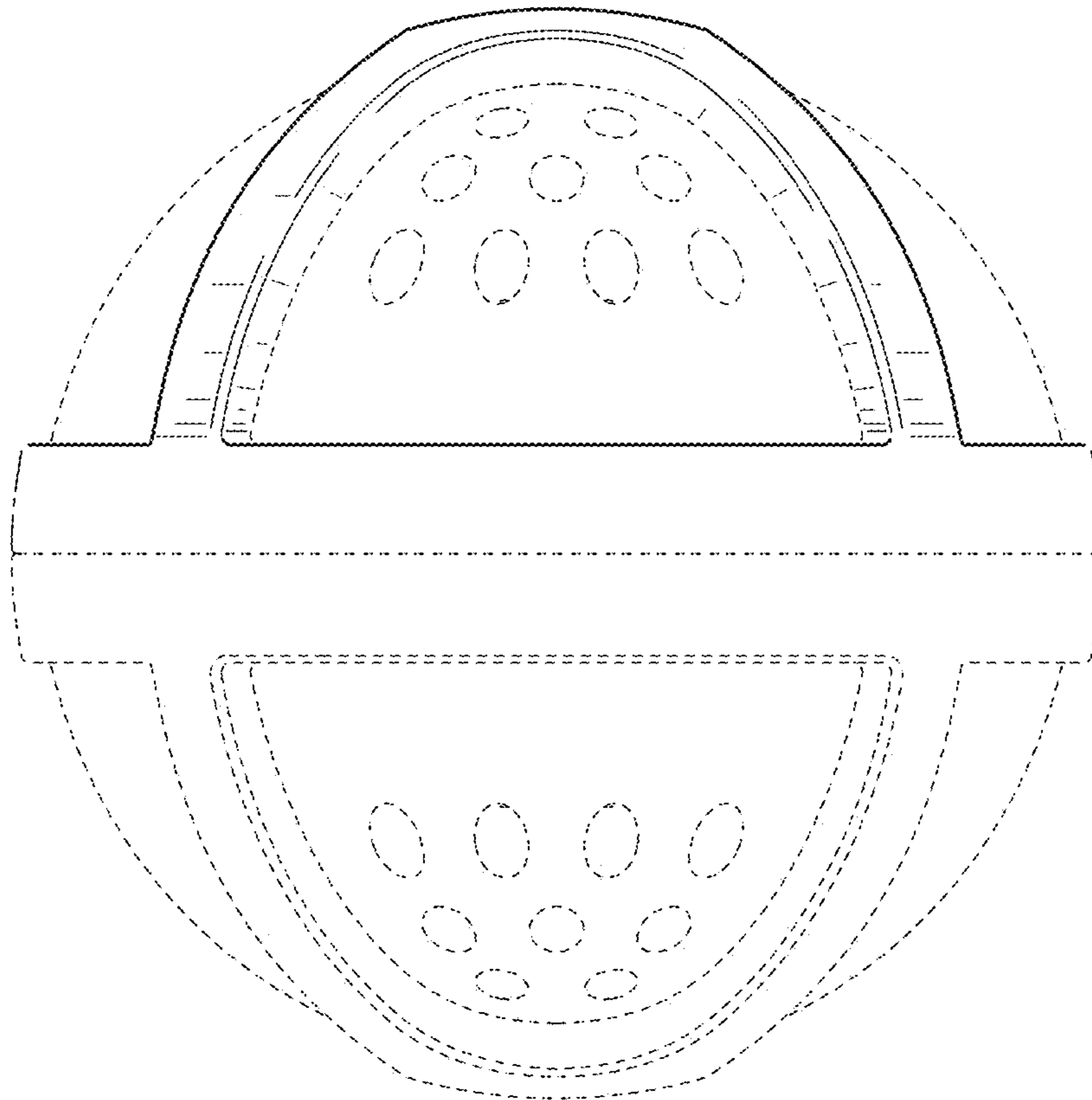


FIG. 3

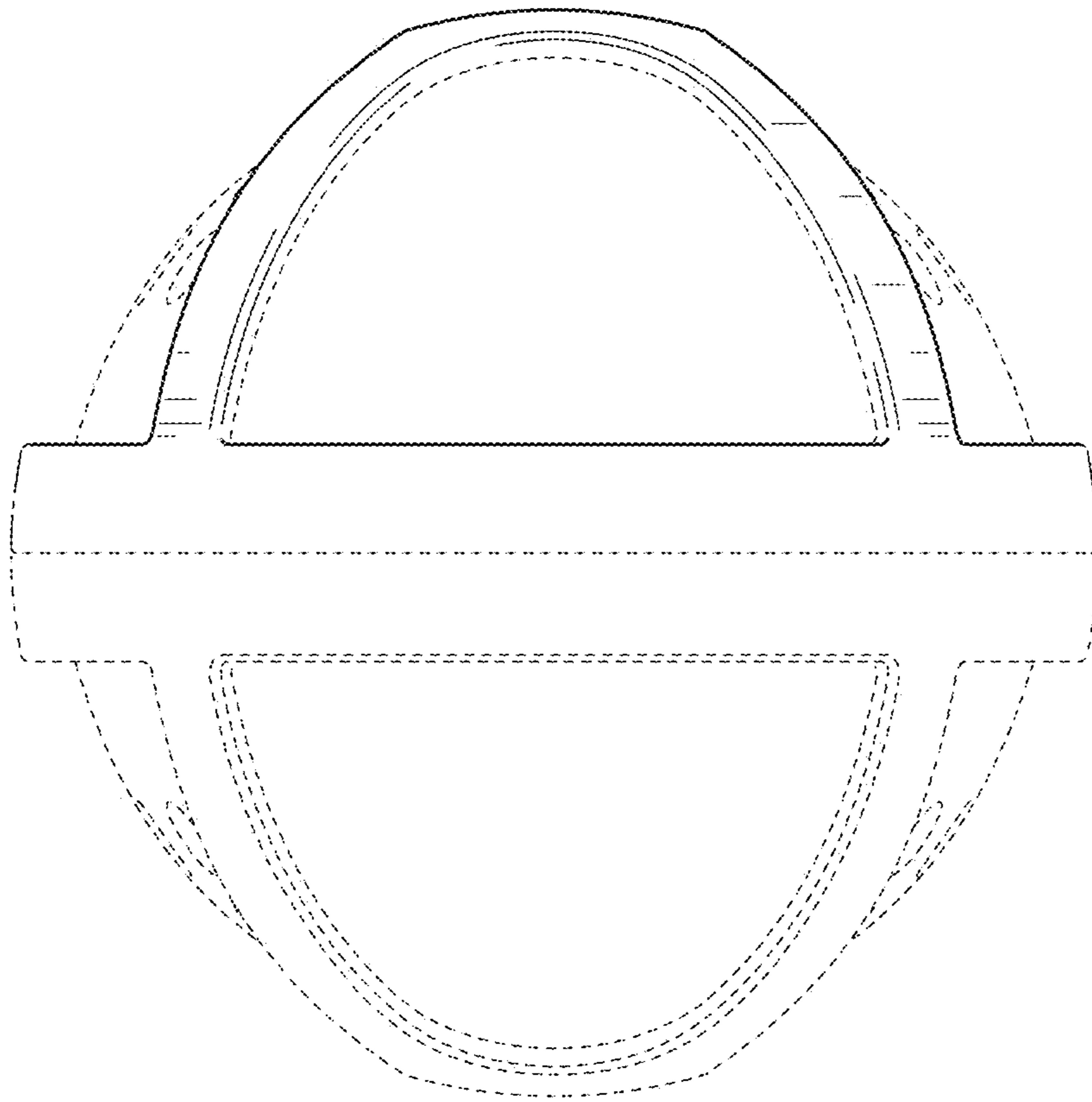


FIG. 4

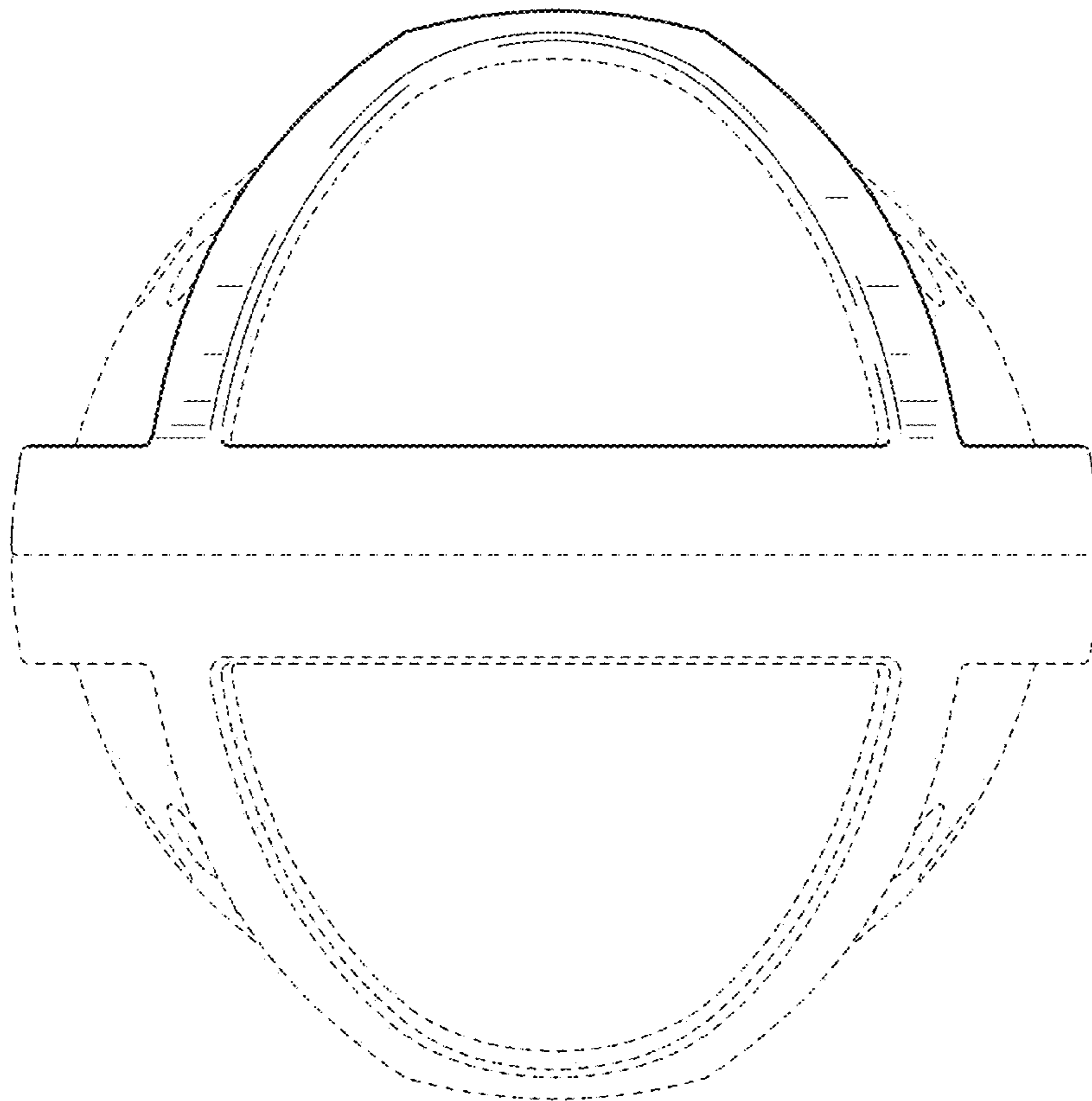


FIG. 5

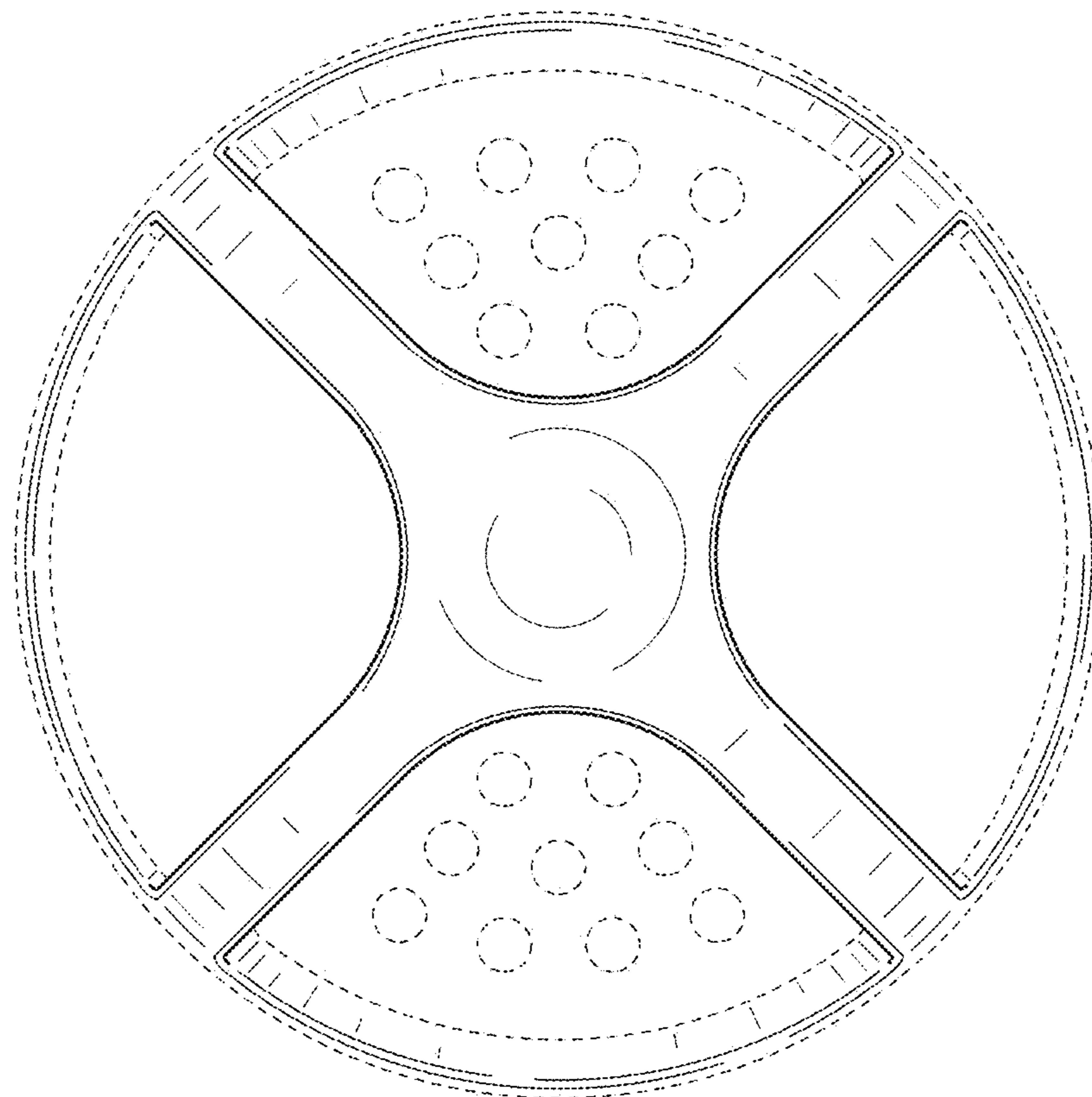


FIG. 6