



US00D945585S

(12) **United States Design Patent**
Lee et al.

(10) **Patent No.:** **US D945,585 S**
(45) **Date of Patent:** **** Mar. 8, 2022**

(54) **AIR PURIFIER**

(71) Applicant: **KAKAO IX CORP.**, Seoul (KR)

(72) Inventors: **Jong Hyub Lee**, Seoul (KR); **Sato Oki**, Tokyo (JP)

(73) Assignee: **KAKAO CORP.**, Jeju-si (KR)

(**) Term: **15 Years**

(21) Appl. No.: **29/703,720**

(22) Filed: **Aug. 29, 2019**

(30) **Foreign Application Priority Data**

Aug. 23, 2019 (KR) 30-2019-0040534

(51) **LOC (13) Cl.** **23-04**

(52) **U.S. Cl.**
USPC **D23/364**

(58) **Field of Classification Search**

USPC D23/355–366, 352, 369, 332, 333, 335,
D23/336, 342, 351; 422/120, 122;
55/356, 473, 504; 96/97; 261/DIG. 17,
261/DIG. 65, DIG. 88, DIG. 31
CPC .. A61L 9/16; A61L 9/22; B01D 47/00; B01D
47/027; B01D 2221/02; B01D 2259/4508;
B03C 3/155; B03C 3/368; F24F 3/16;
F24F 13/20; F24F 13/28; F24F
2001/0096

See application file for complete search history.

(56) **References Cited**

U.S. PATENT DOCUMENTS

1,989,883 A * 2/1935 Redwine A41G 1/006
239/44
3,400,890 A * 9/1968 Gould A61L 9/127
239/36

D422,350 S * 4/2000 Wu D23/366
D521,139 S * 5/2006 Wu D23/366
D551,331 S * 9/2007 Butler D23/366
D558,320 S * 12/2007 Butler D23/366
D568,453 S * 5/2008 Wu D23/366
D669,975 S * 10/2012 Davis D23/366
D782,638 S * 3/2017 Rossi D23/366
D818,102 S * 5/2018 Li D23/366
D827,800 S * 9/2018 Bumpass D23/366
D827,803 S * 9/2018 Fox D23/367
D880,671 S * 4/2020 Wang D23/366

* cited by examiner

Primary Examiner — David G Muller

(74) *Attorney, Agent, or Firm* — United One Law Group
LLC; Kongsik Kim; Jhongwoo Peck

(57) **CLAIM**

The ornamental design for an air purifier, as shown and described.

DESCRIPTION

FIG. 1 is a top front side perspective view of the air purifier of the present invention.

FIG. 2 is a front view of the air purifier shown in FIG. 1.

FIG. 3 is a rear view of the air purifier shown in FIG. 1.

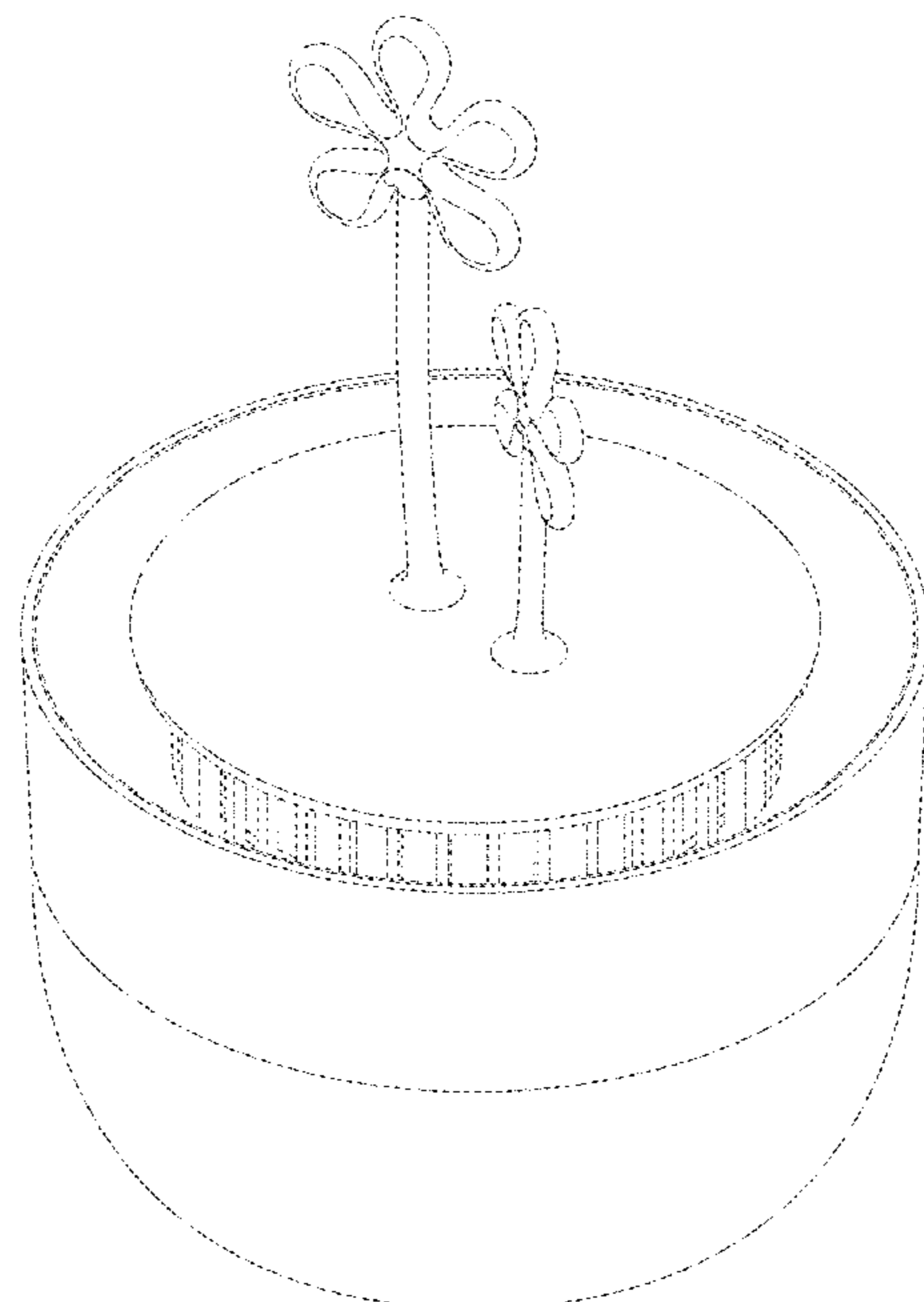
FIG. 4 is a right side view of the air purifier shown in FIG. 1.

FIG. 5 is a left side view of the air purifier shown in FIG. 1.

FIG. 6 is a top view of the air purifier shown in FIG. 1; and, FIG. 7 is a bottom view of the air purifier shown in FIG. 1.

The features shown in broken lines in FIGS. 1-5 and 7 depict environmental subject matter only and form no part of the claimed design. The dot-dash broken lines in FIGS. 1 and 6 define the bounds of the claimed design and form no part thereof.

1 Claim, 7 Drawing Sheets



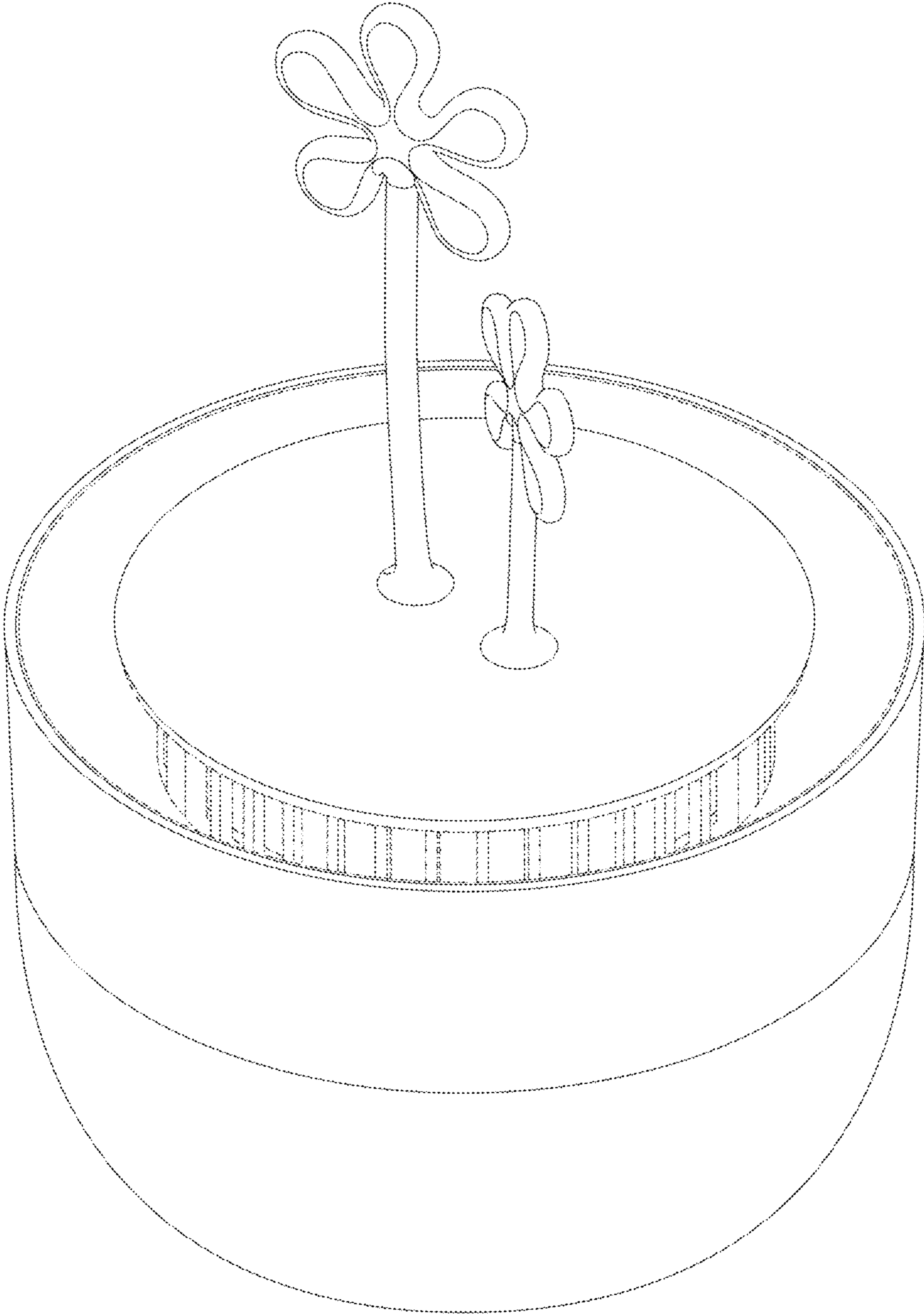


FIG. 1

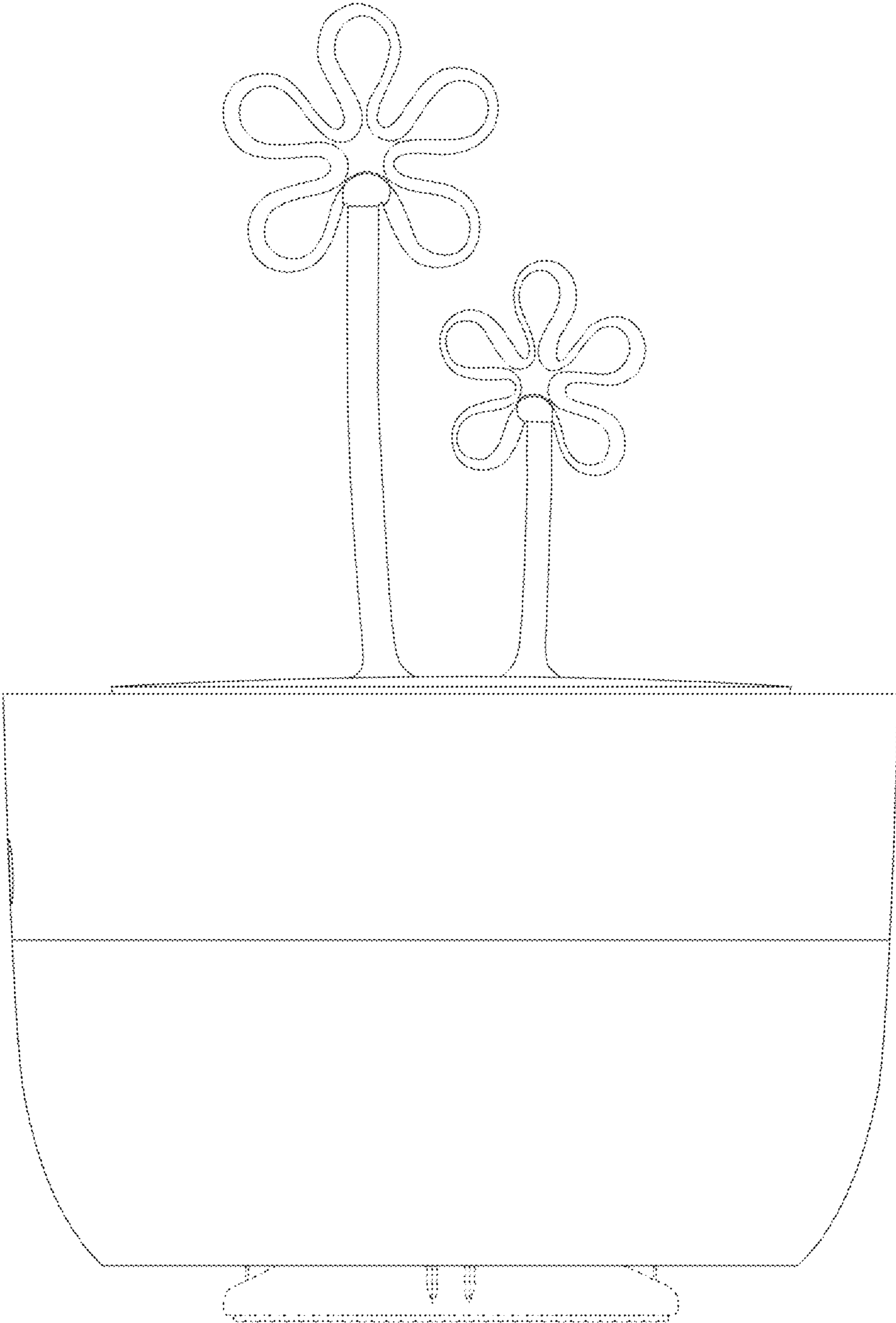


FIG. 2

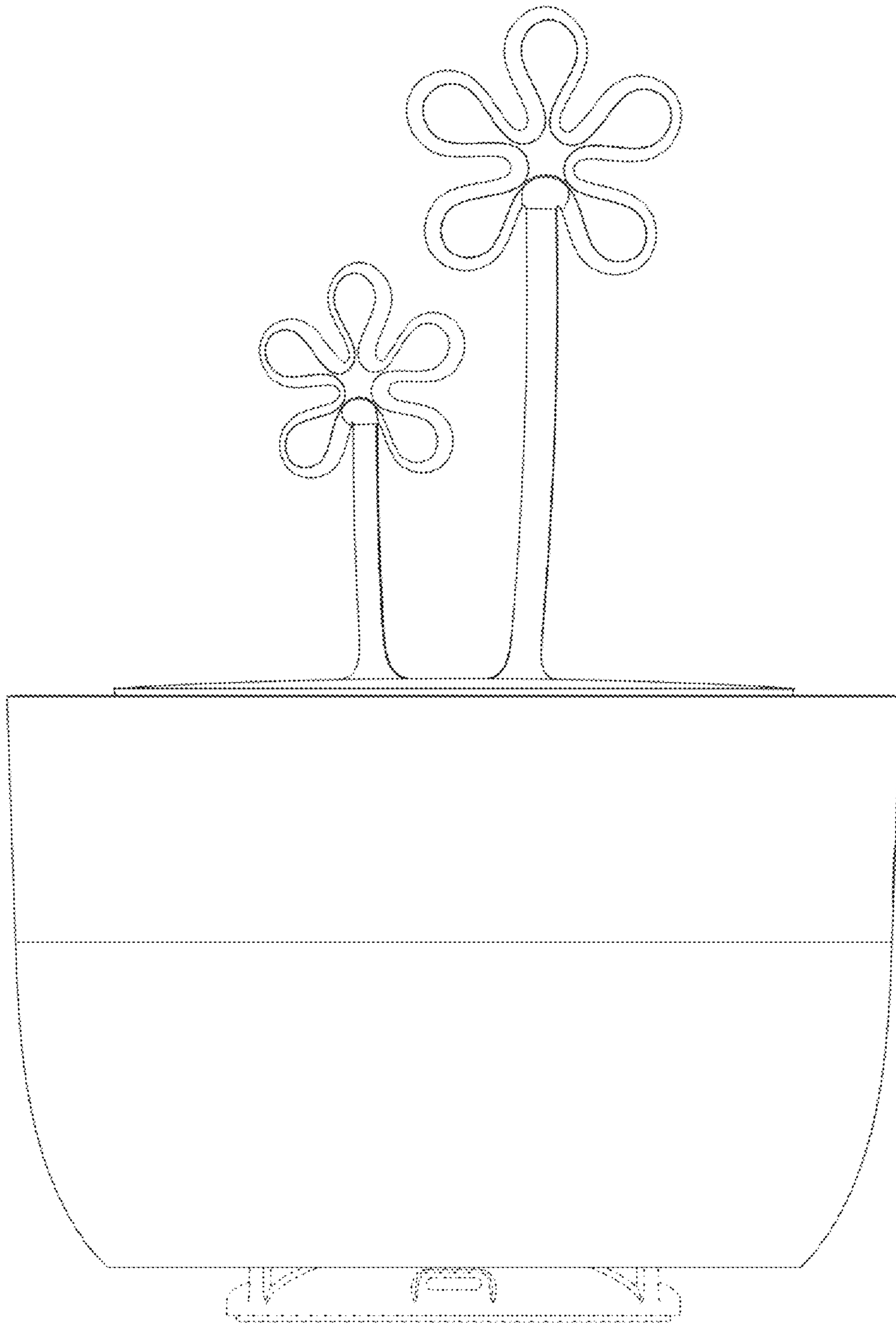


FIG. 3

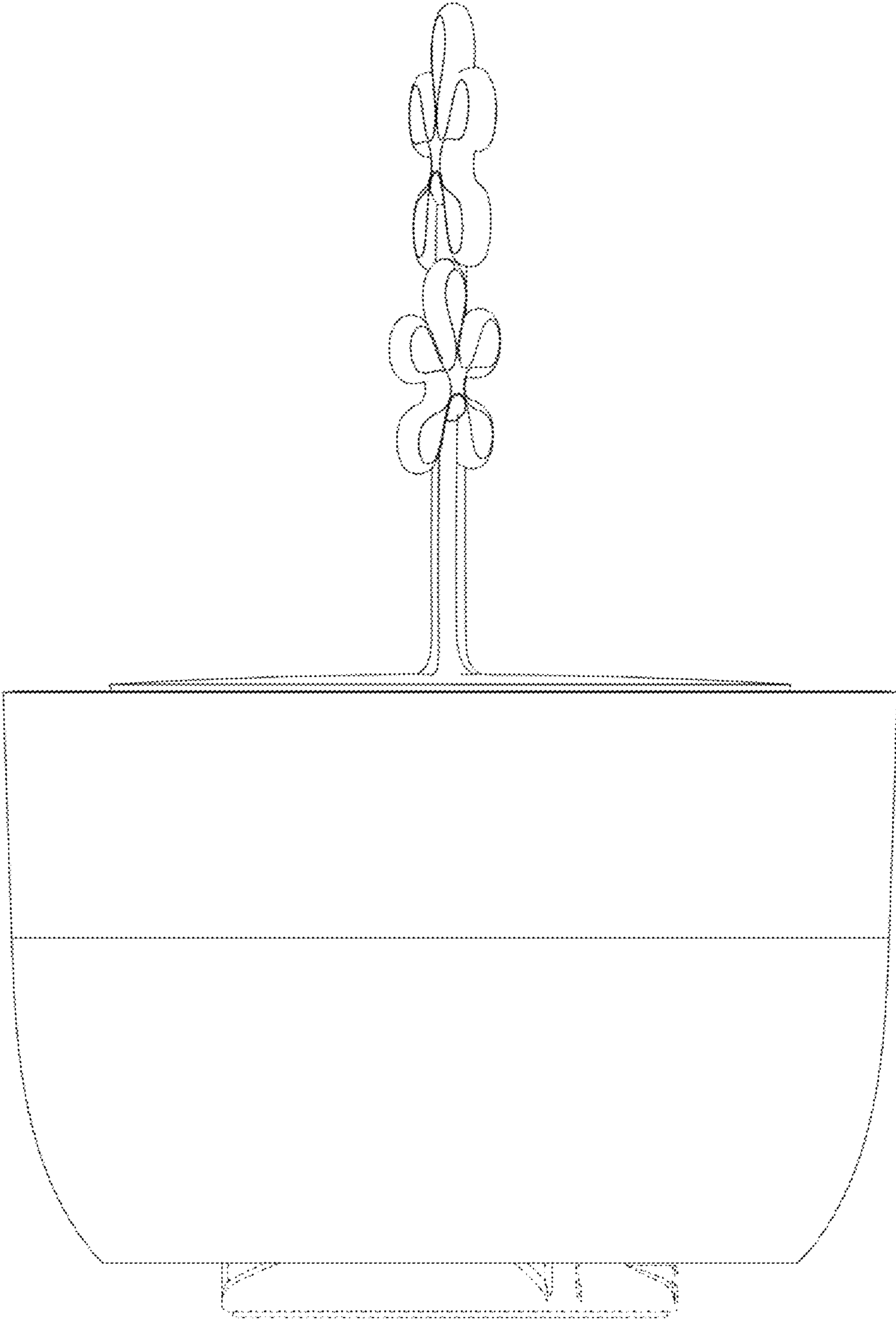


FIG. 4

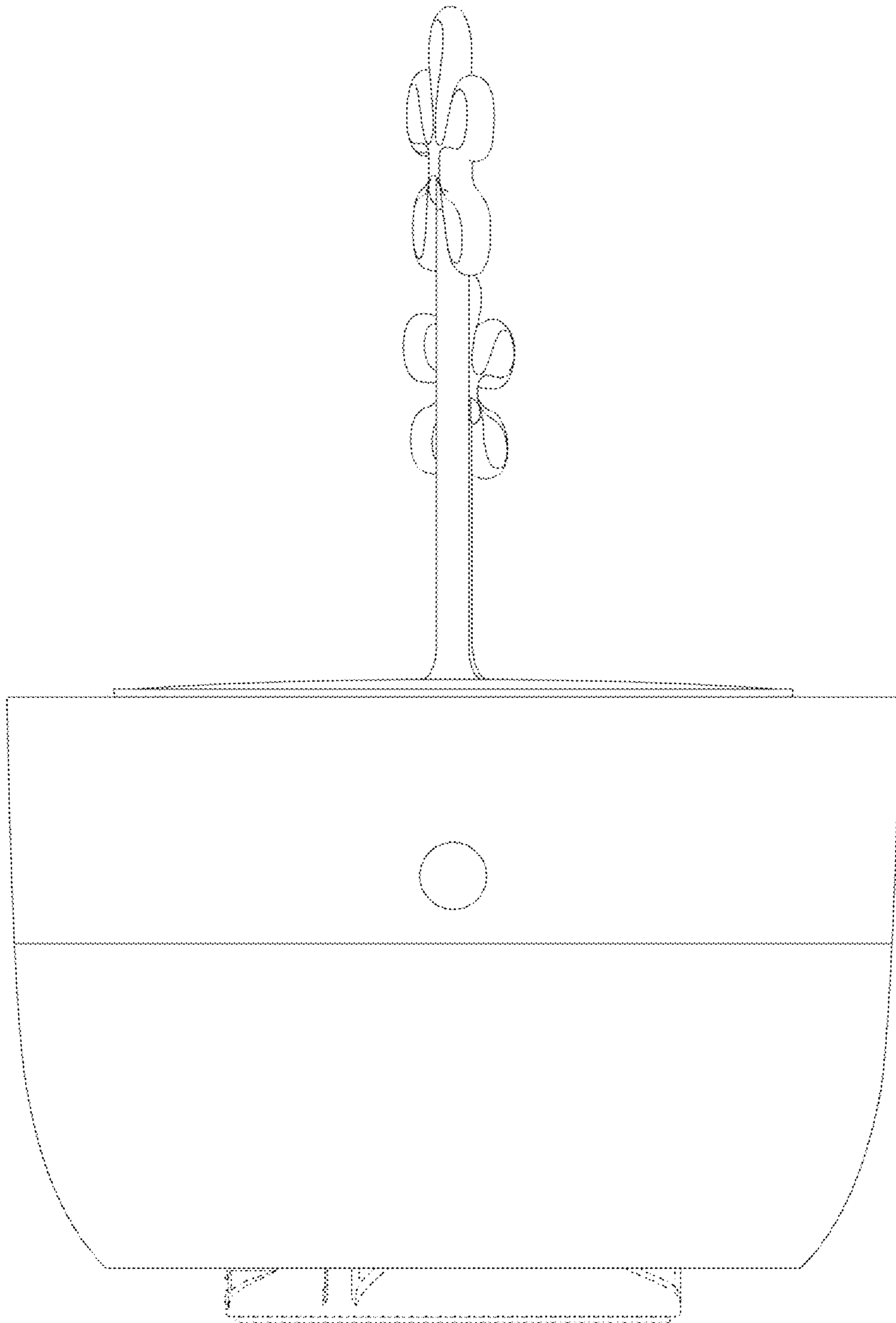


FIG. 5

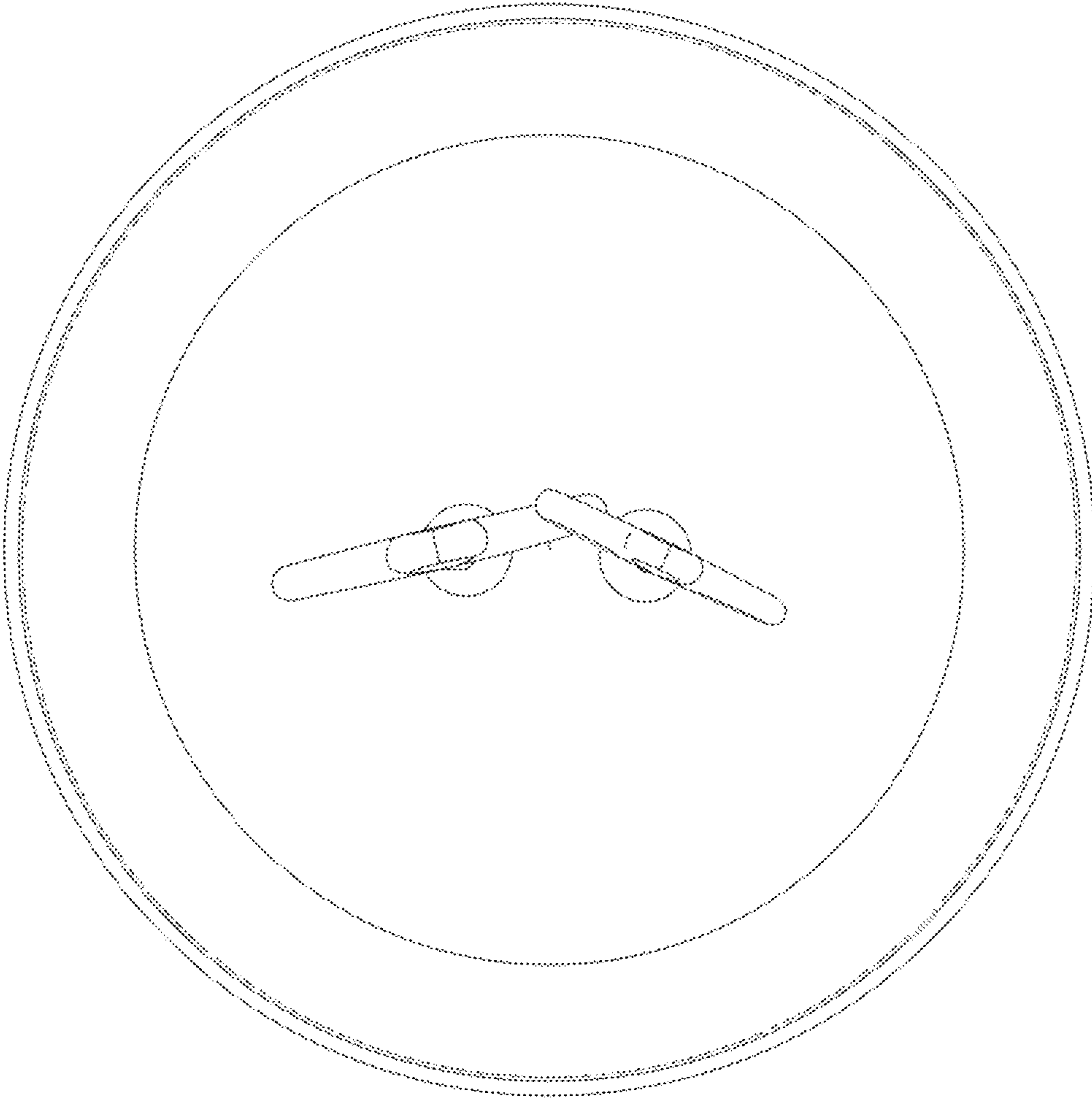


FIG. 6

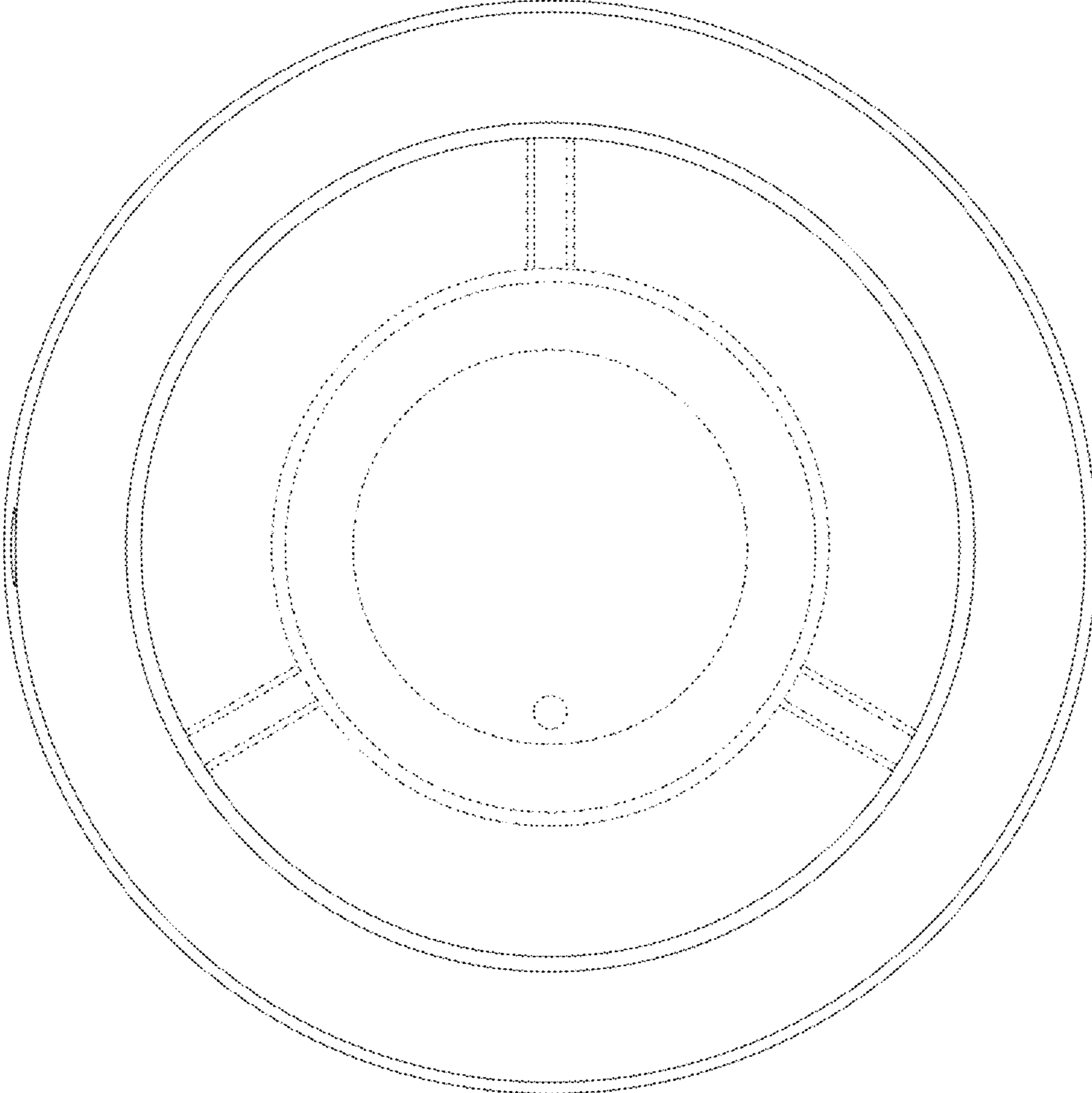


FIG. 7