



US00D945584S

(12) **United States Design Patent**
Li

(10) **Patent No.:** **US D945,584 S**

(45) **Date of Patent:** **** Mar. 8, 2022**

(54) **DEHUMIDIFIER**

(71) Applicant: **Ningbo CRM Electric Appliance, Inc.,**
Zhejiang (CN)

(72) Inventor: **Xianquan Li**, Zhejiang (CN)

(73) Assignee: **Ningbo CRM Electric Appliance, Inc.,**
Ningbo (CN)

(**) Term: **15 Years**

(21) Appl. No.: **29/759,809**

(22) Filed: **Nov. 25, 2020**

(30) **Foreign Application Priority Data**

May 25, 2020 (CN) 202030246391.1

(51) **LOC (13) Cl.** **23-04**

(52) **U.S. Cl.**
USPC **D23/359**

(58) **Field of Classification Search**

USPC D23/355-366, 352, 369, 332, 333, 335,
D23/336, 342, 351; 422/120, 122;
55/356, 473, 504; 96/97; 261/DIG. 17,
261/DIG. 65, DIG. 88, DIG. 31
CPC .. A61L 9/16; A61L 9/22; B01D 47/00; B01D
47/027; B01D 2221/02; B01D 2259/4508;
B03C 3/155; B03C 3/368; F24F 3/16;
F24F 13/20; F24F 13/28

See application file for complete search history.

(56) **References Cited**

U.S. PATENT DOCUMENTS

9,610,589 B2 * 4/2017 Siegfried B03C 3/82
9,873,127 B2 * 1/2018 Kim B03C 3/09

D861,146 S * 9/2019 Dingle D23/359
10,619,877 B2 * 4/2020 DeMonte F24F 3/1405
D884,859 S * 5/2020 Lewis D23/335
10,670,283 B2 * 6/2020 Carlson F24F 11/77
10,677,492 B2 * 6/2020 DeMonte F24F 3/1405
10,823,434 B2 * 11/2020 Shin F24F 1/02
10,852,014 B2 * 12/2020 Stearns F24F 3/14
D919,780 S * 5/2021 Li D23/359
D919,781 S * 5/2021 Nakamura D23/364
D921,864 S * 6/2021 Luo D23/356
D922,556 S * 6/2021 Stearns D23/359

* cited by examiner

Primary Examiner — David G Muller

(74) *Attorney, Agent, or Firm* — Muncy, Geissler, Olds &
Lowe, P.C.

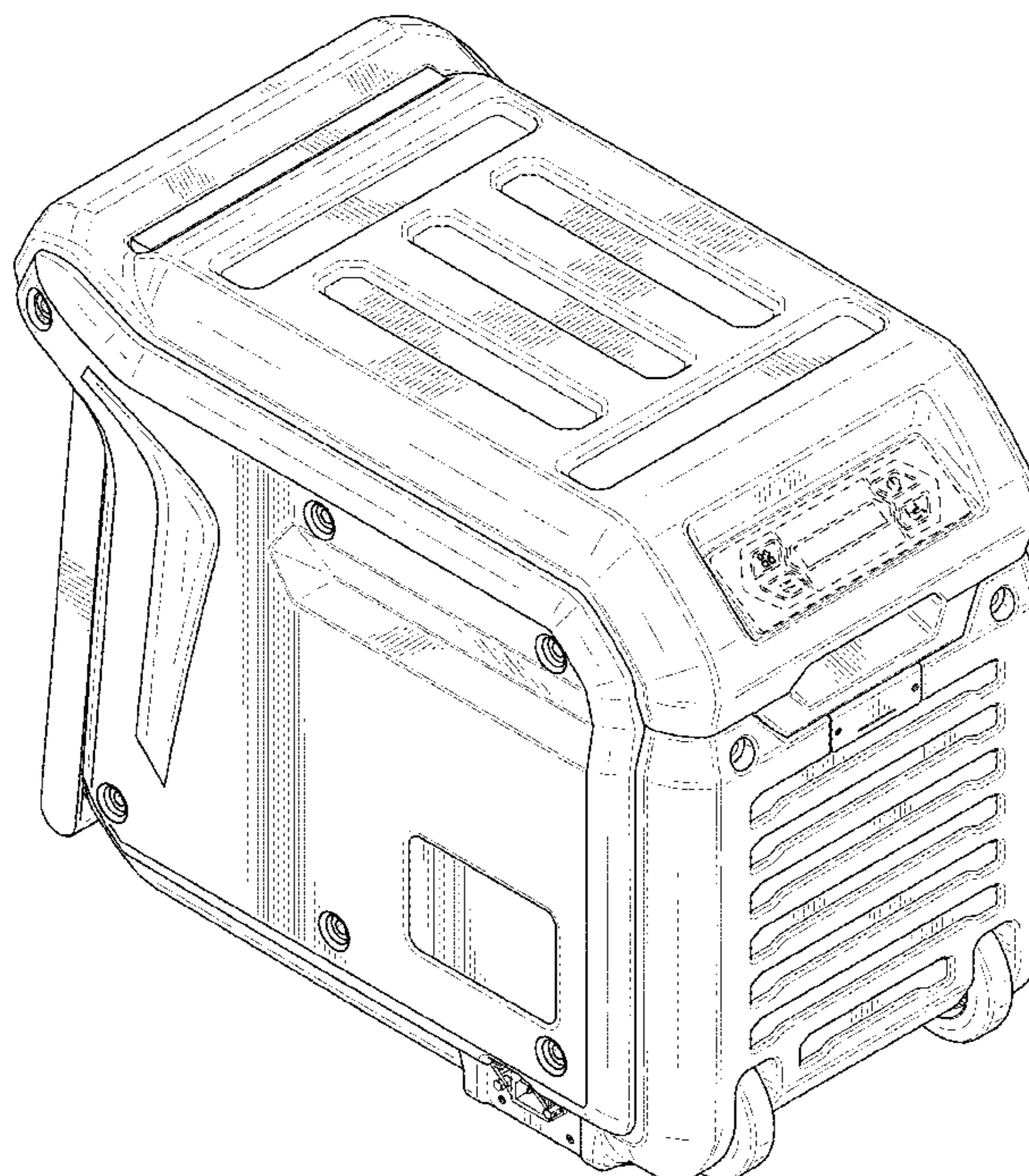
(57) **CLAIM**

The ornamental design for a dehumidifier, as shown and
described.

DESCRIPTION

FIG. 1 is a front, top, left perspective view of a dehumidifier
showing my new design;
FIG. 2 is a rear, bottom, right perspective view thereof;
FIG. 3 is a front elevational view thereof;
FIG. 4 is a rear elevational view thereof;
FIG. 5 is a left side elevational view thereof;
FIG. 6 is a right side elevational view thereof;
FIG. 7 is a top plan view thereof; and,
FIG. 8 is a bottom plan view thereof.
The broken lines illustrate portions of the dehumidifier
which form no part of the claimed design.

1 Claim, 8 Drawing Sheets



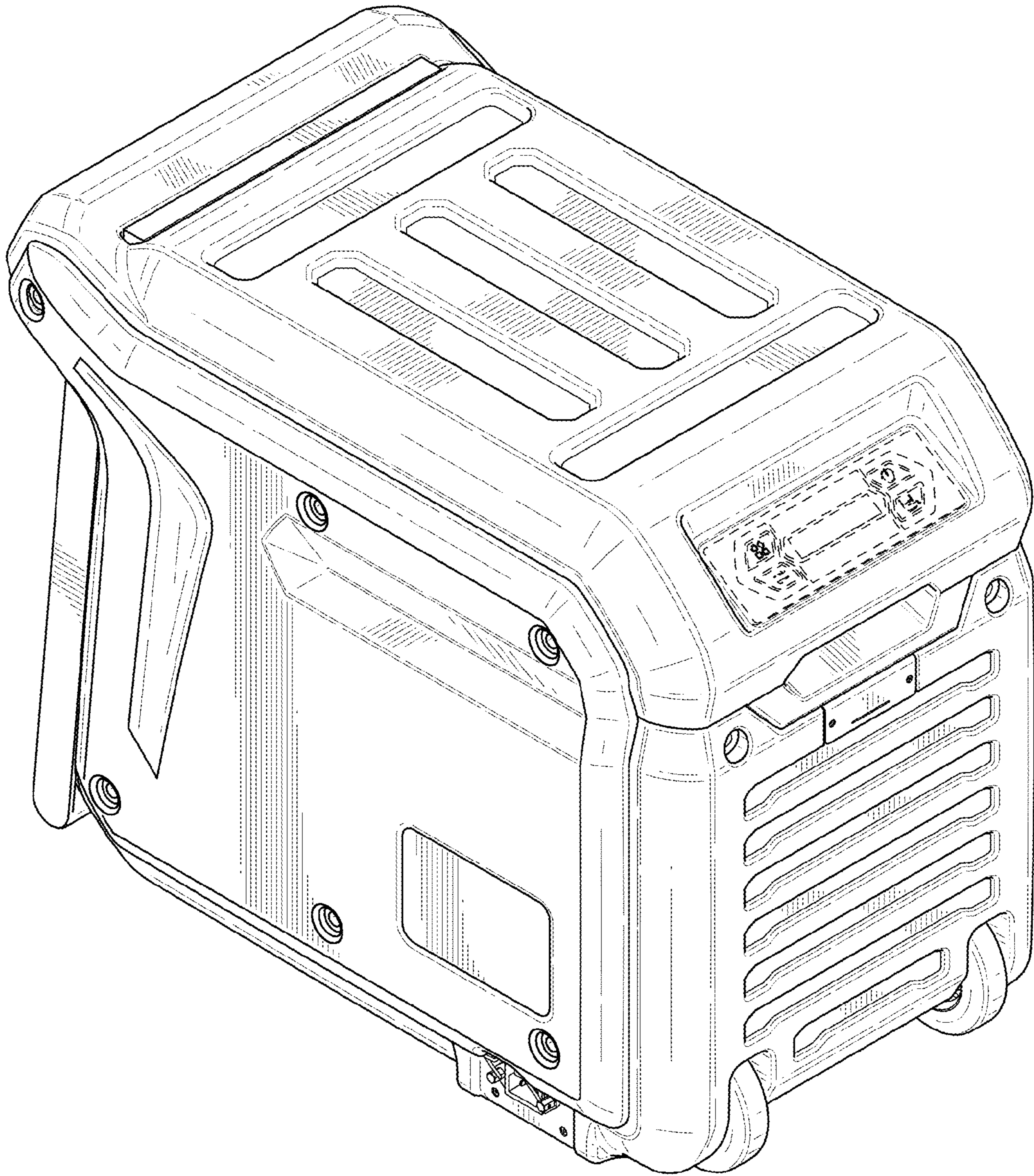


FIG.1

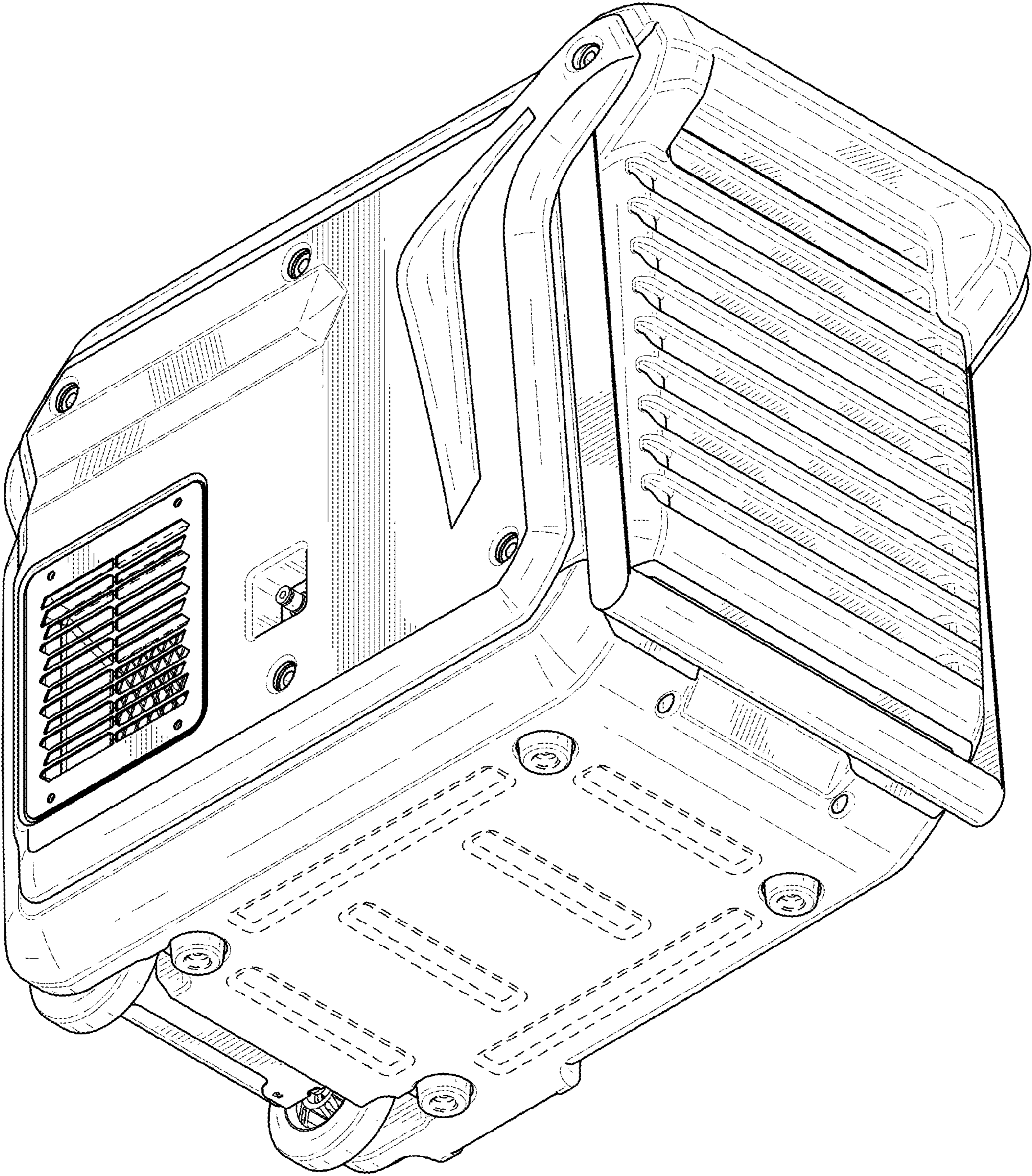


FIG.2

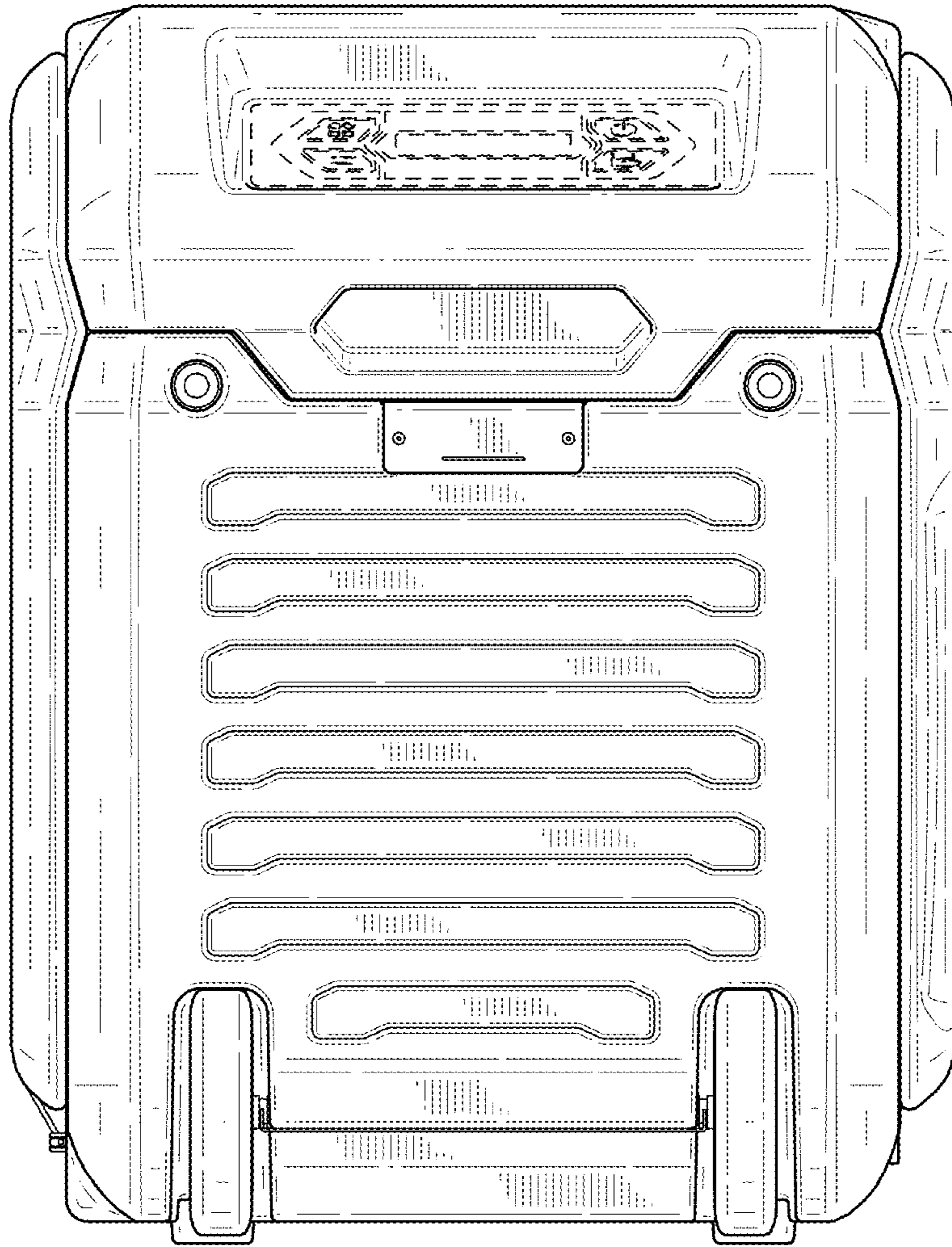


FIG.3

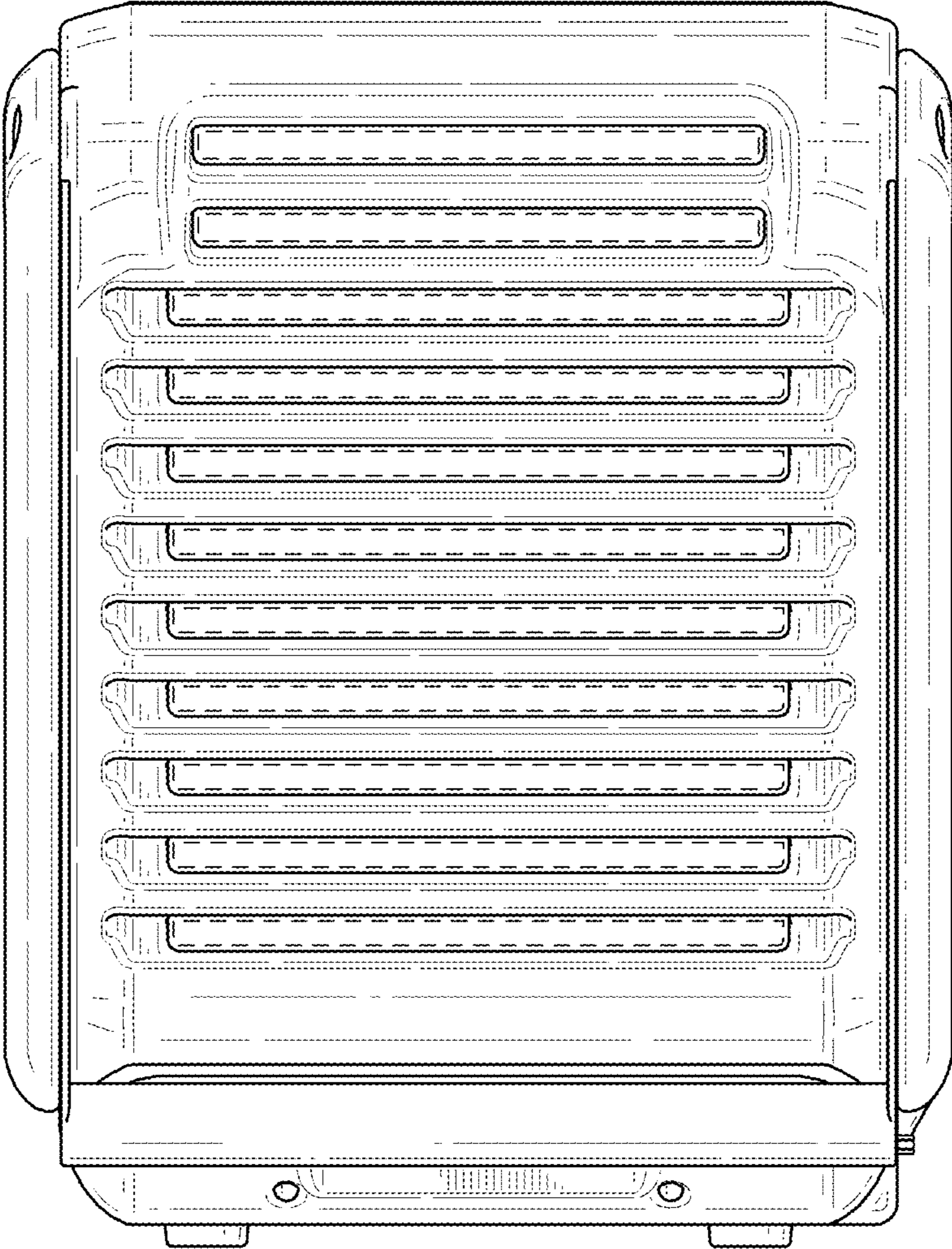


FIG.4

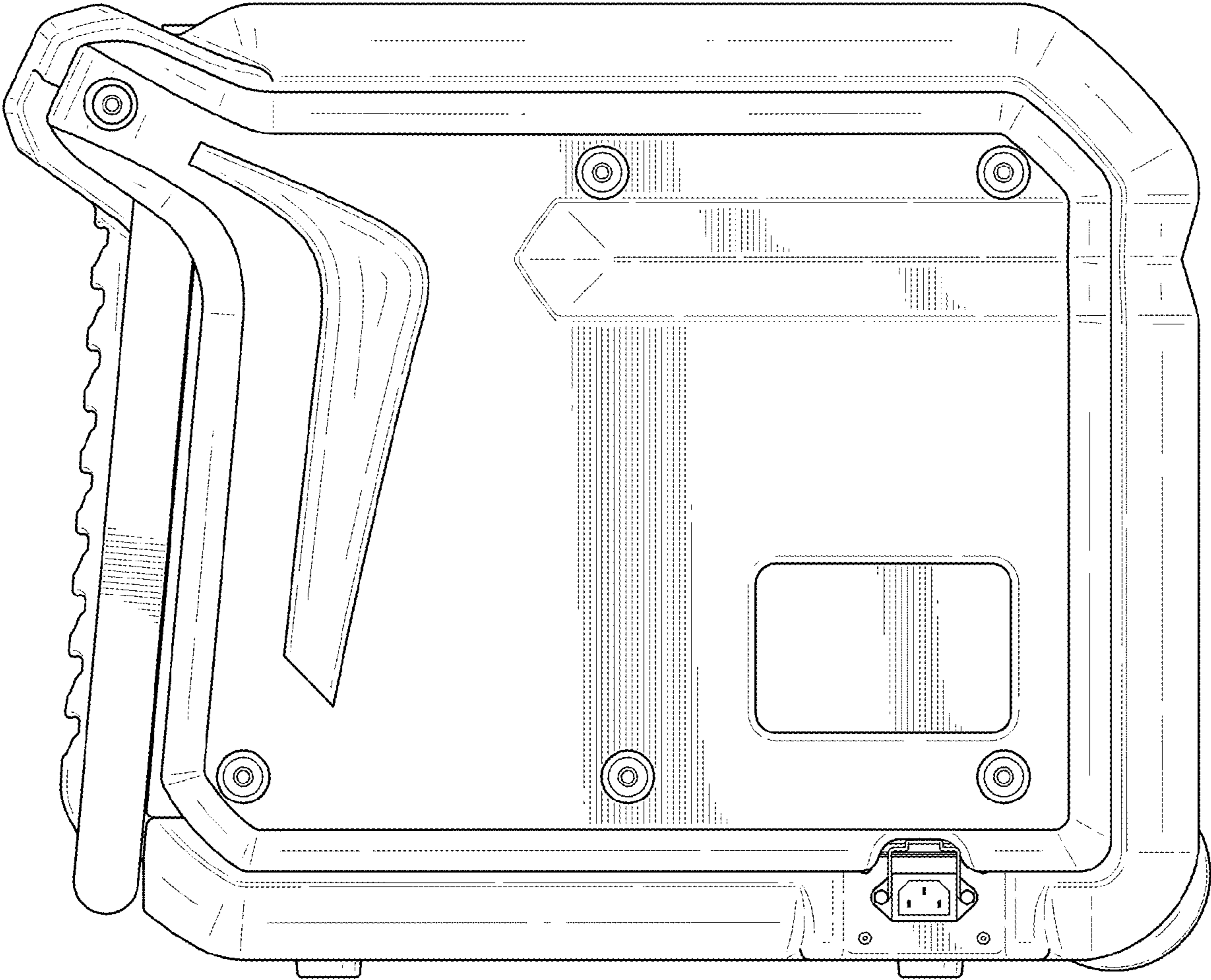


FIG.5

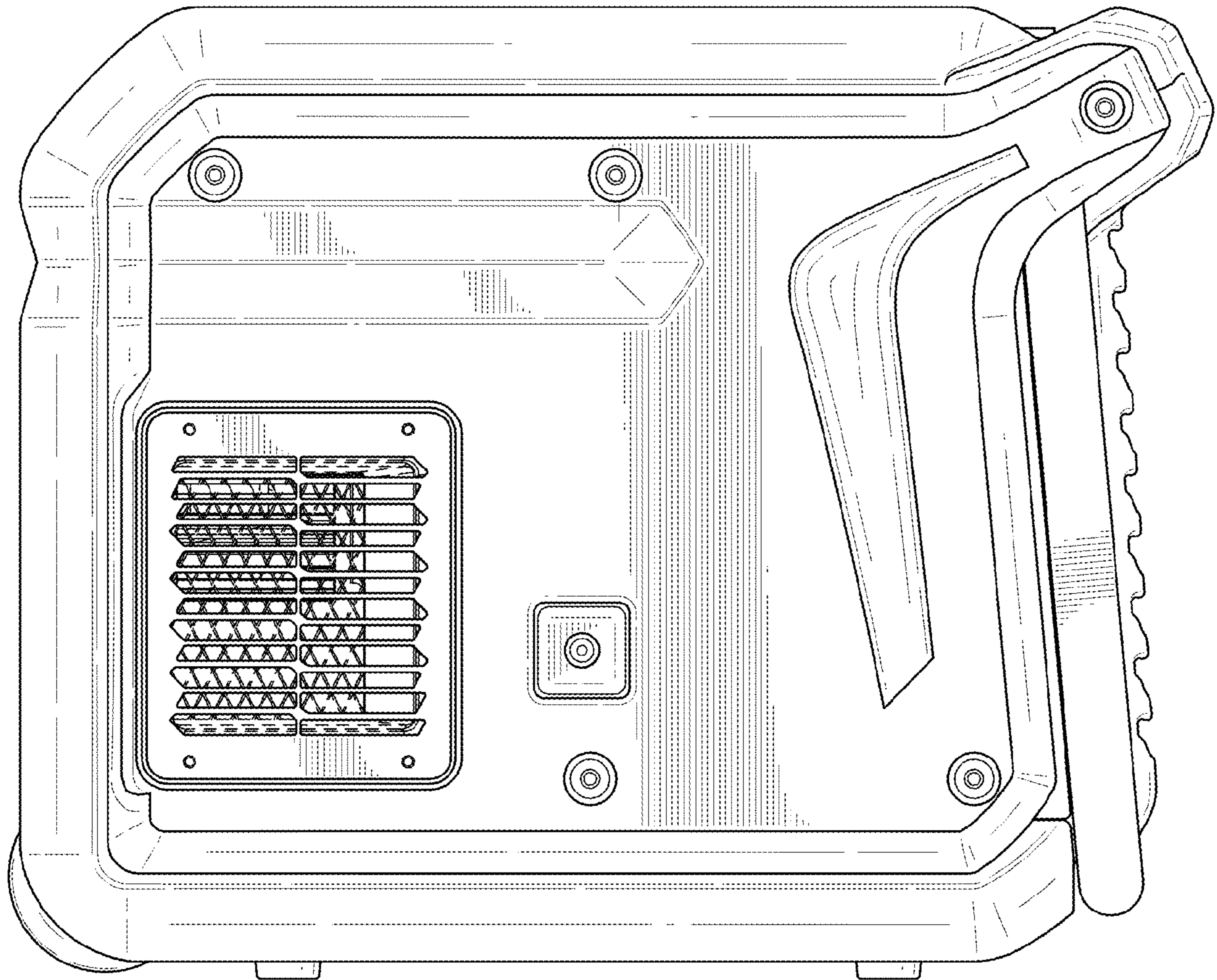


FIG.6

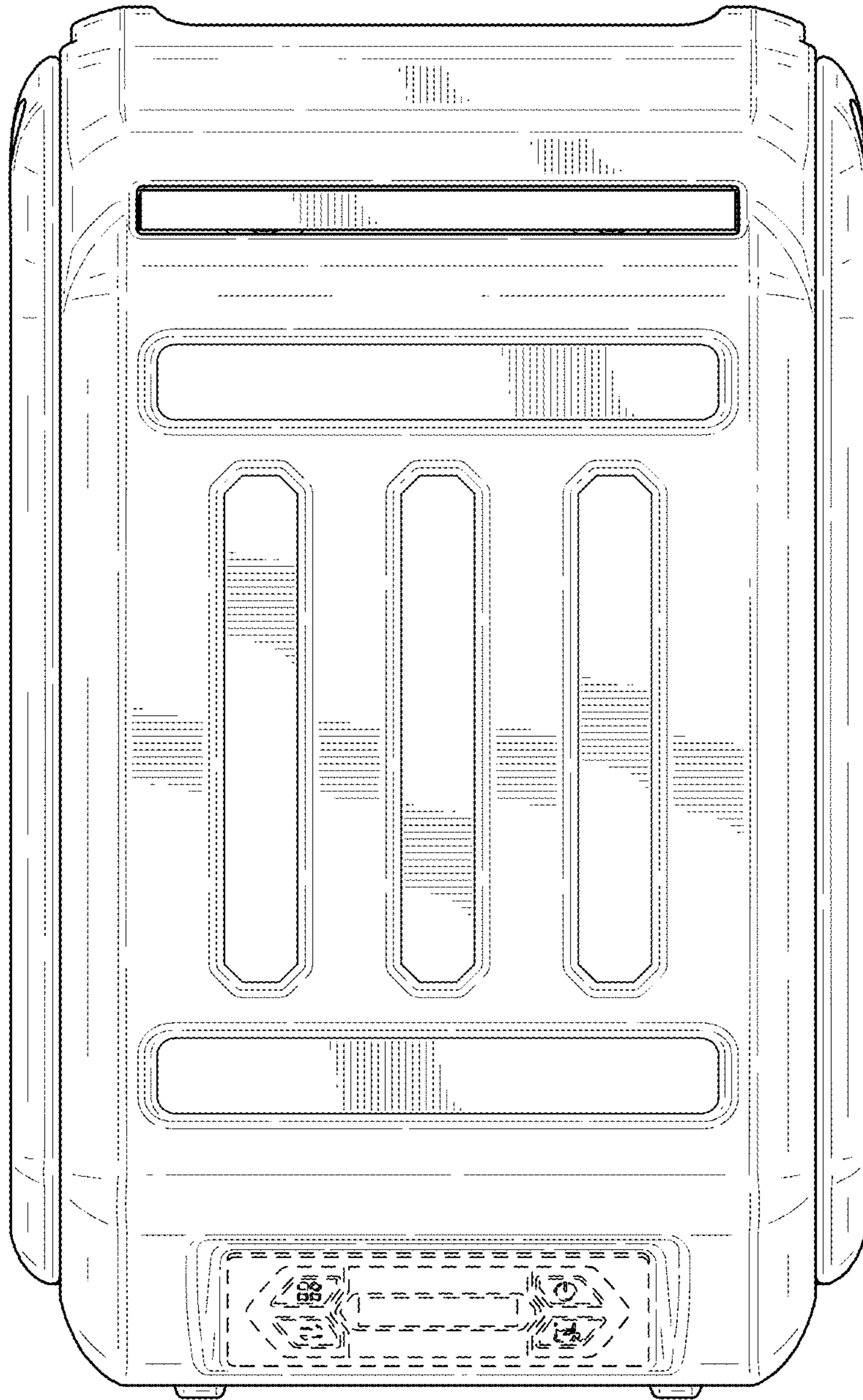


FIG.7

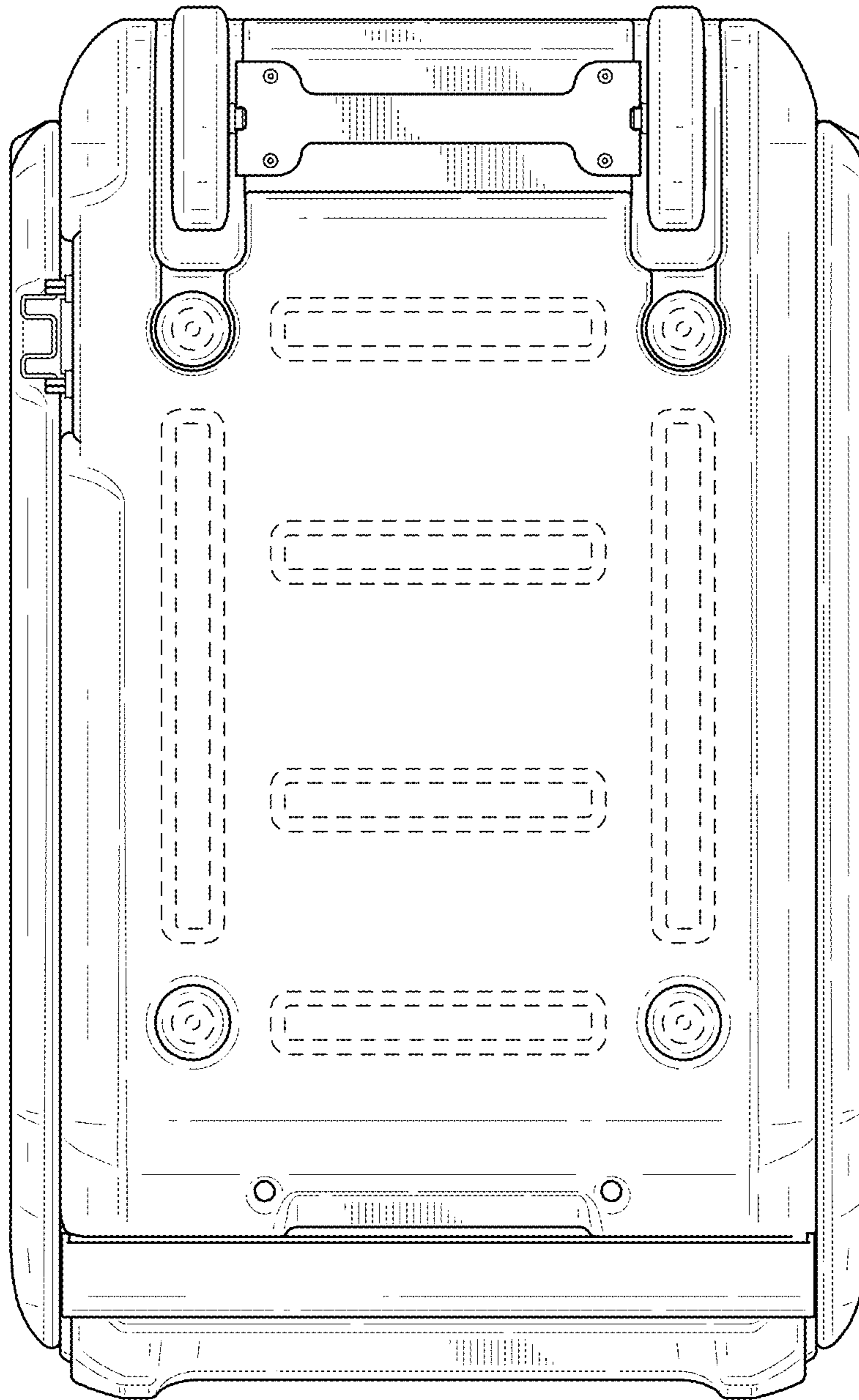


FIG.8