



US00D945581S

(12) **United States Design Patent**  
**Baldwin et al.**

(10) **Patent No.:** **US D945,581 S**  
(45) **Date of Patent:** **\*\* Mar. 8, 2022**

(54) **DELIVERY DEVICE FOR AN AIR TREATMENT COMPOSITION**  
(71) Applicant: **Reckitt & Colman (Overseas) Hygiene Home Limited**, Slough (GB)  
(72) Inventors: **Lucy Baldwin**, Bristol (GB); **Russell Beard**, Bristol (GB); **Niall McRiner**, Bristol (GB); **John Mouatt**, Slough (GB)  
(73) Assignee: **Reckitt & Colman (Overseas) Hygiene Home Limited**, Slough (GB)  
(\*\*) Term: **15 Years**  
(21) Appl. No.: **29/760,427**  
(22) Filed: **Dec. 1, 2020**

(30) **Foreign Application Priority Data**

Jun. 3, 2020 (EP) ..... 007981360-0001

(51) **LOC (13) Cl.** ..... **23-04**

(52) **U.S. Cl.**  
USPC ..... **D23/355**

(58) **Field of Classification Search**  
USPC ..... D23/355-366, 352, 369, 332, 333, 335, D23/336, 342, 351; 422/120, 122; 55/356, 473, 504; 96/97; 261/DIG. 17, 261/DIG. 65, DIG. 88, DIG. 31  
CPC .. A61L 9/16; A61L 9/22; B01D 47/00; B01D 47/027; B01D 2221/02; B01D 2259/4508; B03C 3/155; B03C 3/368; F24F 3/16; F24F 13/20; F24F 13/28  
See application file for complete search history.

(56) **References Cited**

**U.S. PATENT DOCUMENTS**

D515,192 S \* 2/2006 Smith ..... D23/366  
D520,128 S \* 5/2006 Caserta ..... D23/366

D533,930 S \* 12/2006 Keller, Jr. .... D23/366  
D559,373 S \* 1/2008 Kennedy ..... D23/366  
D559,965 S \* 1/2008 Kennedy ..... D23/366  
D561,882 S \* 2/2008 Kennedy ..... D23/366  
D561,883 S \* 2/2008 Cantoni ..... D23/366  
D567,920 S \* 4/2008 Cantoni ..... D23/366  
D567,921 S \* 4/2008 Bellofatto ..... D23/366  
D567,922 S \* 4/2008 Turchi ..... D23/366  
D567,923 S \* 4/2008 Turchi ..... D23/366  
D567,924 S \* 4/2008 Turchi ..... D23/366  
D568,454 S \* 5/2008 Bellofatto ..... D23/366  
D568,978 S \* 5/2008 Kennedy ..... D23/366  
D573,705 S \* 7/2008 Turchi ..... D23/366  
D647,608 S \* 10/2011 Young ..... D23/366  
8,119,072 B2 \* 2/2012 D'Amico ..... A61L 9/03  
422/126  
D657,040 S \* 4/2012 Young ..... D23/367  
D875,230 S \* 2/2020 Gobber ..... D23/366  
D905,221 S \* 12/2020 Gobber ..... D23/366

\* cited by examiner

*Primary Examiner* — David G Muller

(74) *Attorney, Agent, or Firm* — Norris McLaughlin PA

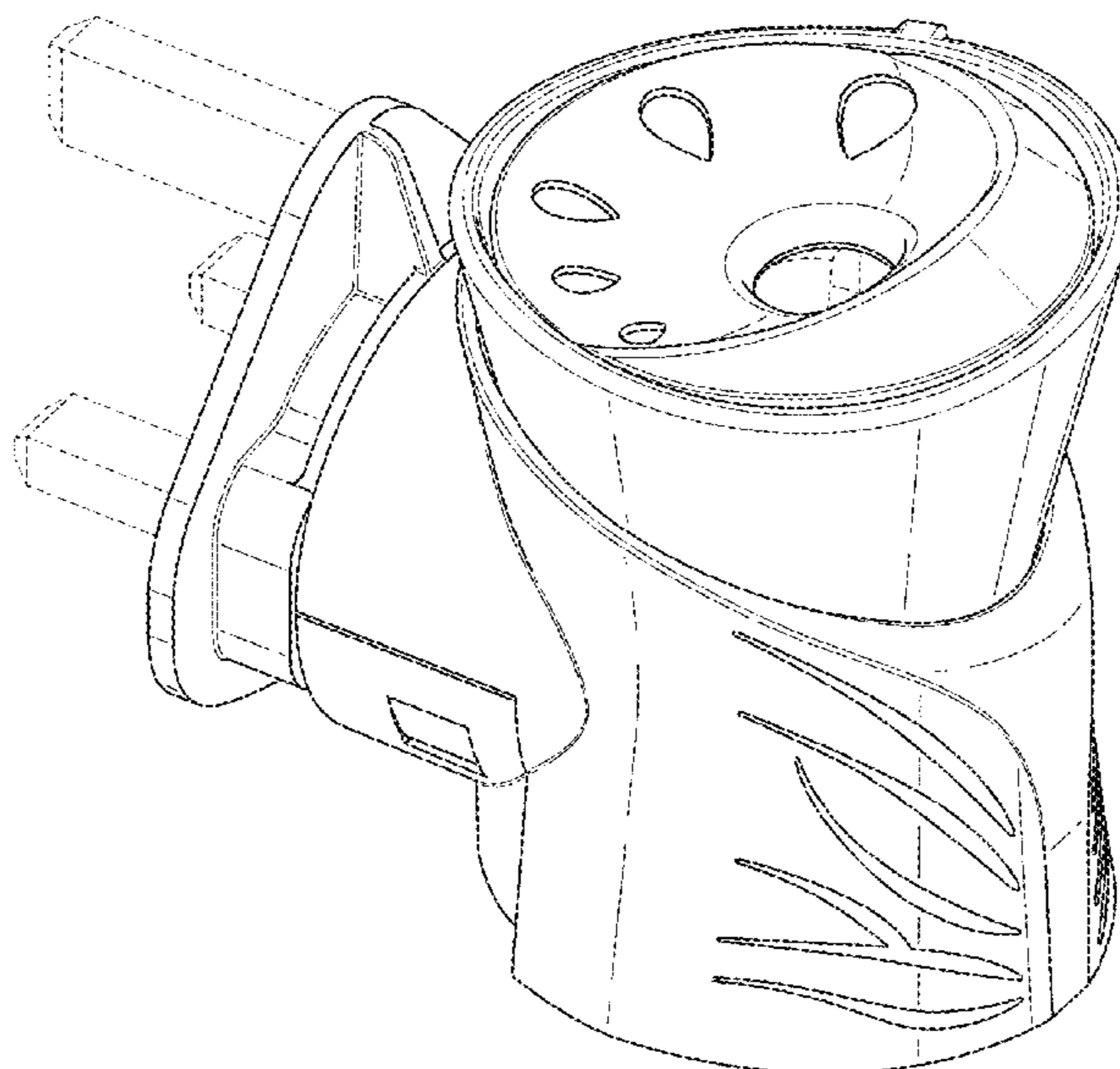
(57) **CLAIM**

The ornamental design for a delivery device for an air treatment composition, as shown and described.

**DESCRIPTION**

FIG. 1 is a top perspective view of the delivery device for an air treatment composition;  
FIG. 2 is a front, elevation view thereof;  
FIG. 3 is a rear, elevation view thereof;  
FIG. 4 is a first side, elevation view thereof;  
FIG. 5 is a second side, elevation view thereof;  
FIG. 6 is a top, plan view thereof; and,  
FIG. 7 is a bottom, plan view thereof.  
Features illustrated in the various drawing figures which are depicted using broken-lines form no part of the claimed design.

**1 Claim, 7 Drawing Sheets**



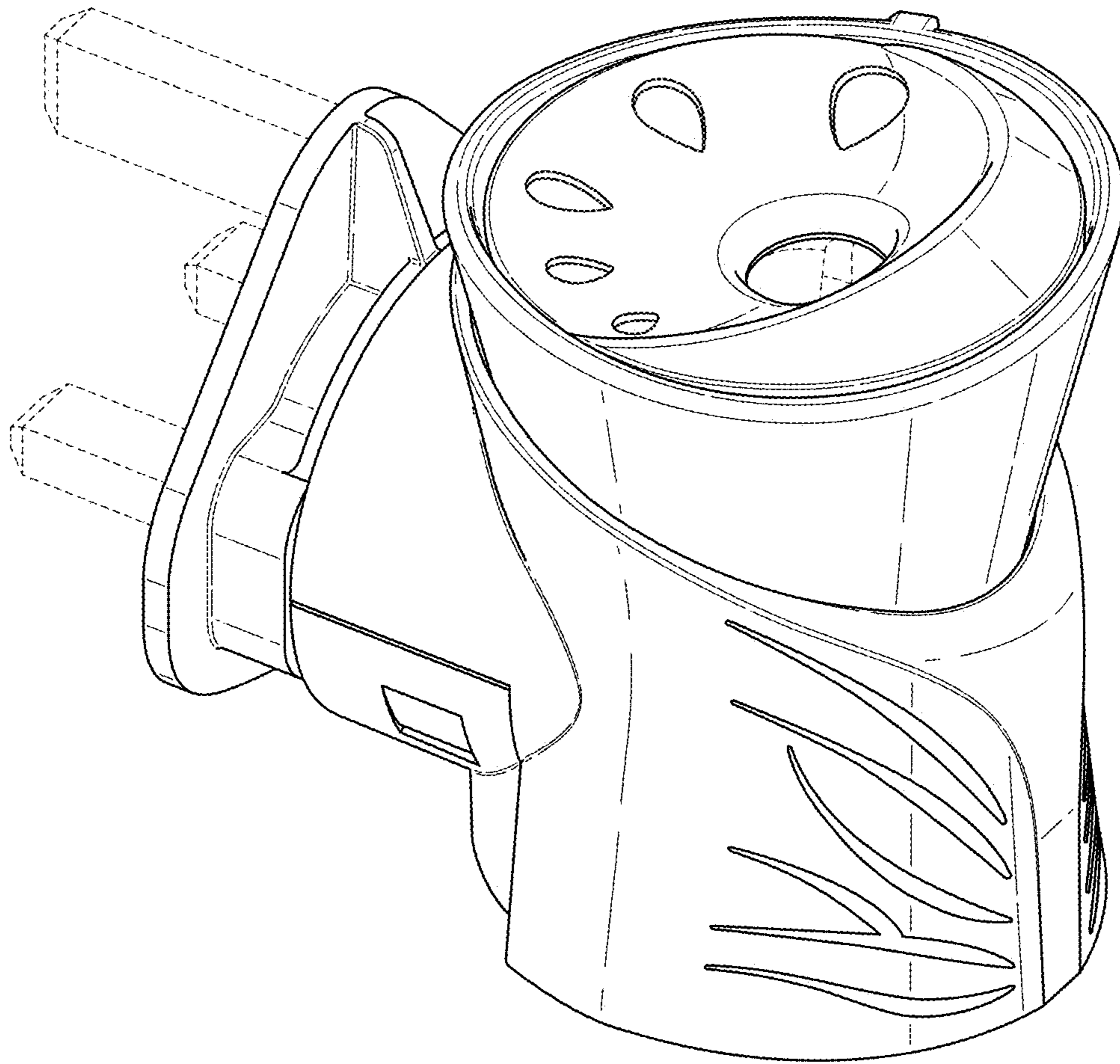


Fig. 1

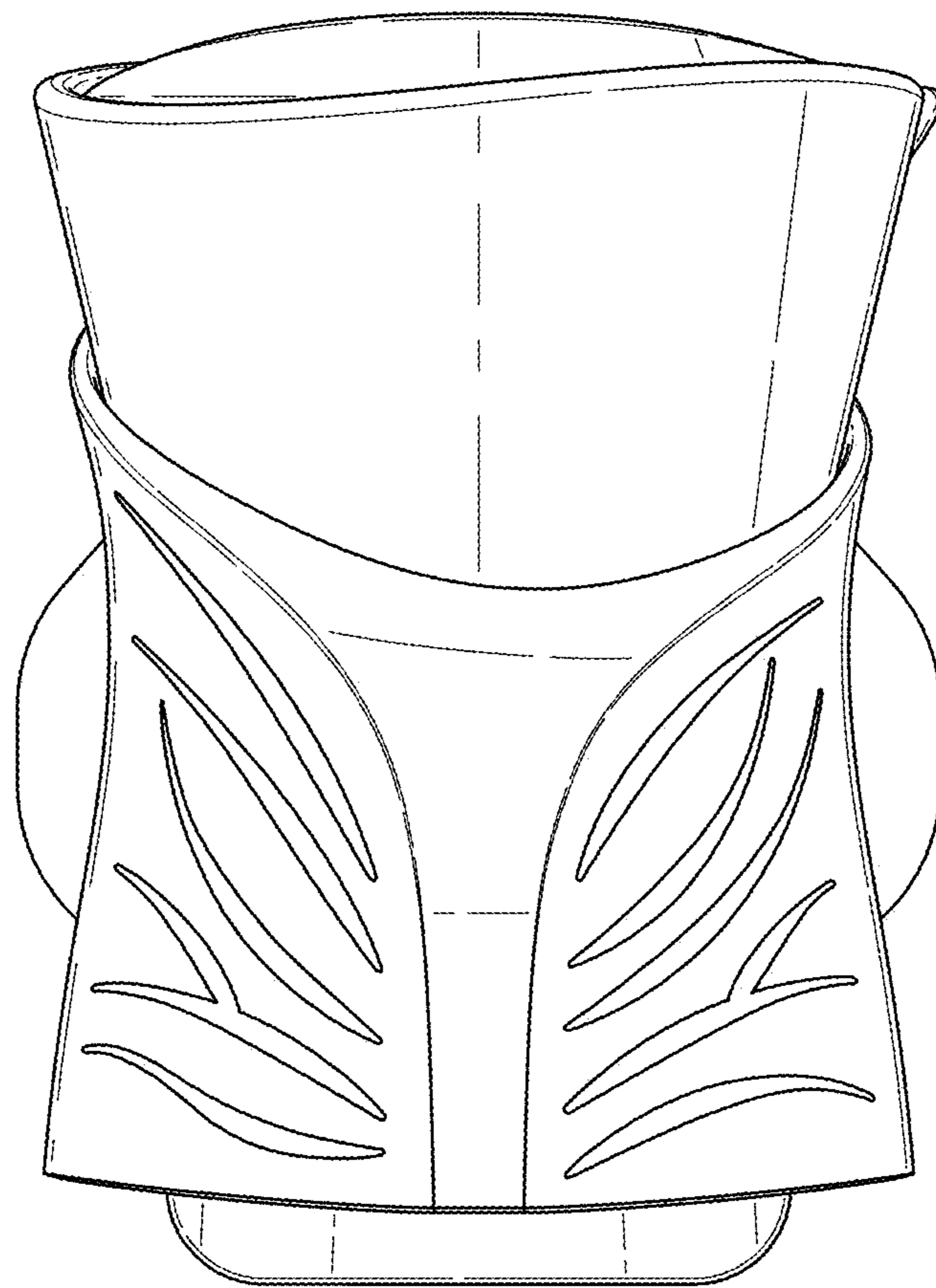


Fig. 2

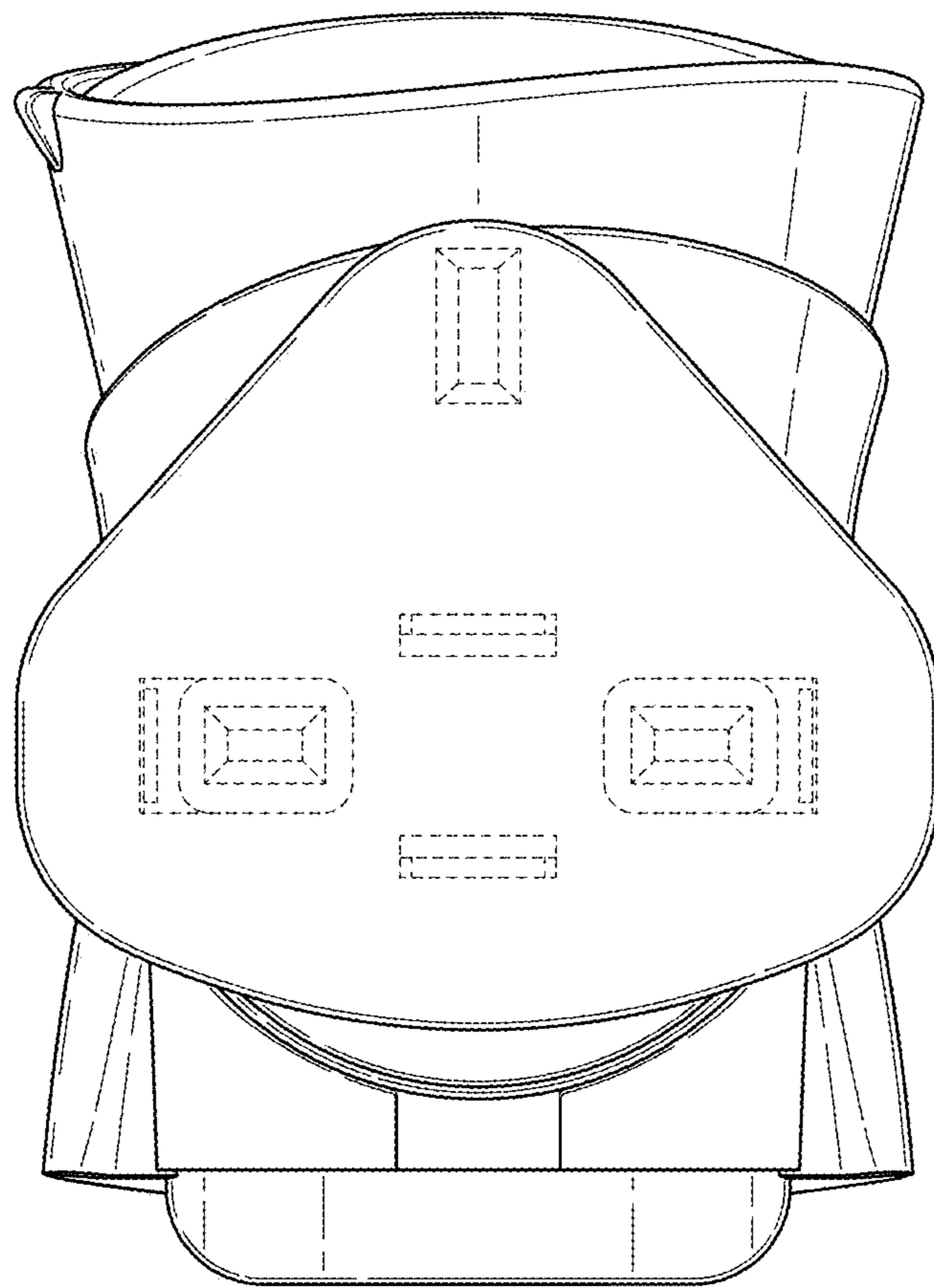


Fig. 3



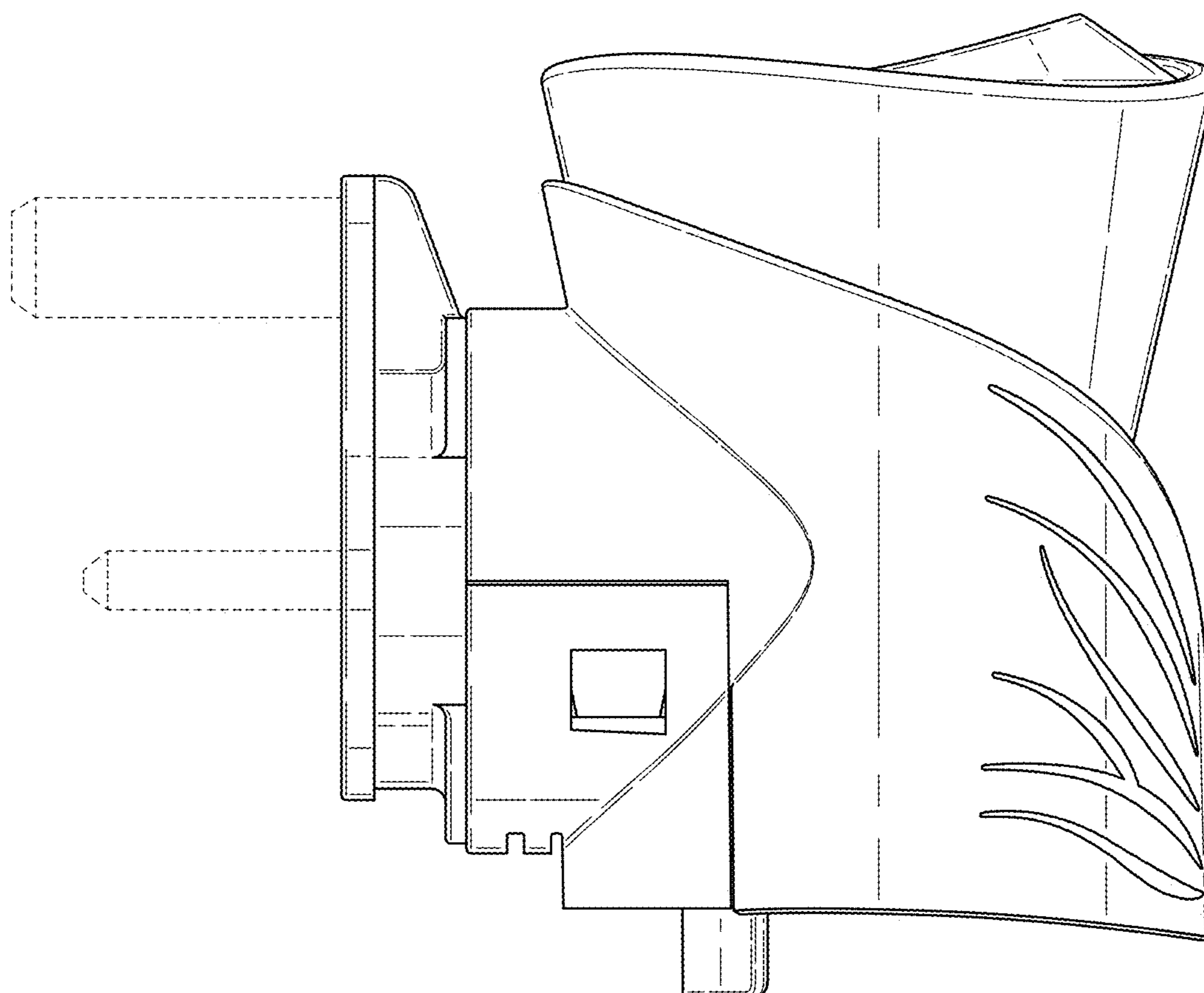


Fig. 4

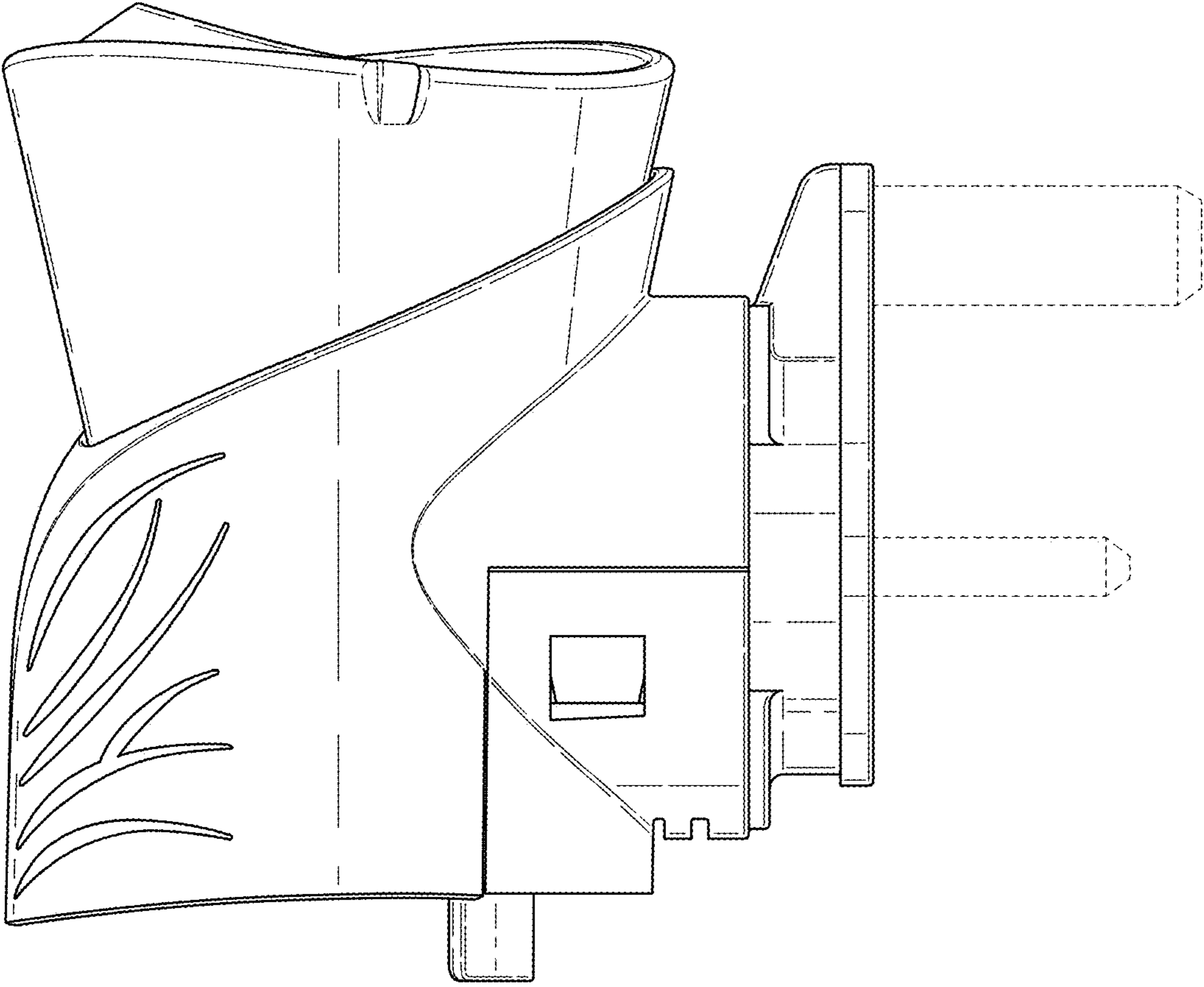


Fig. 5

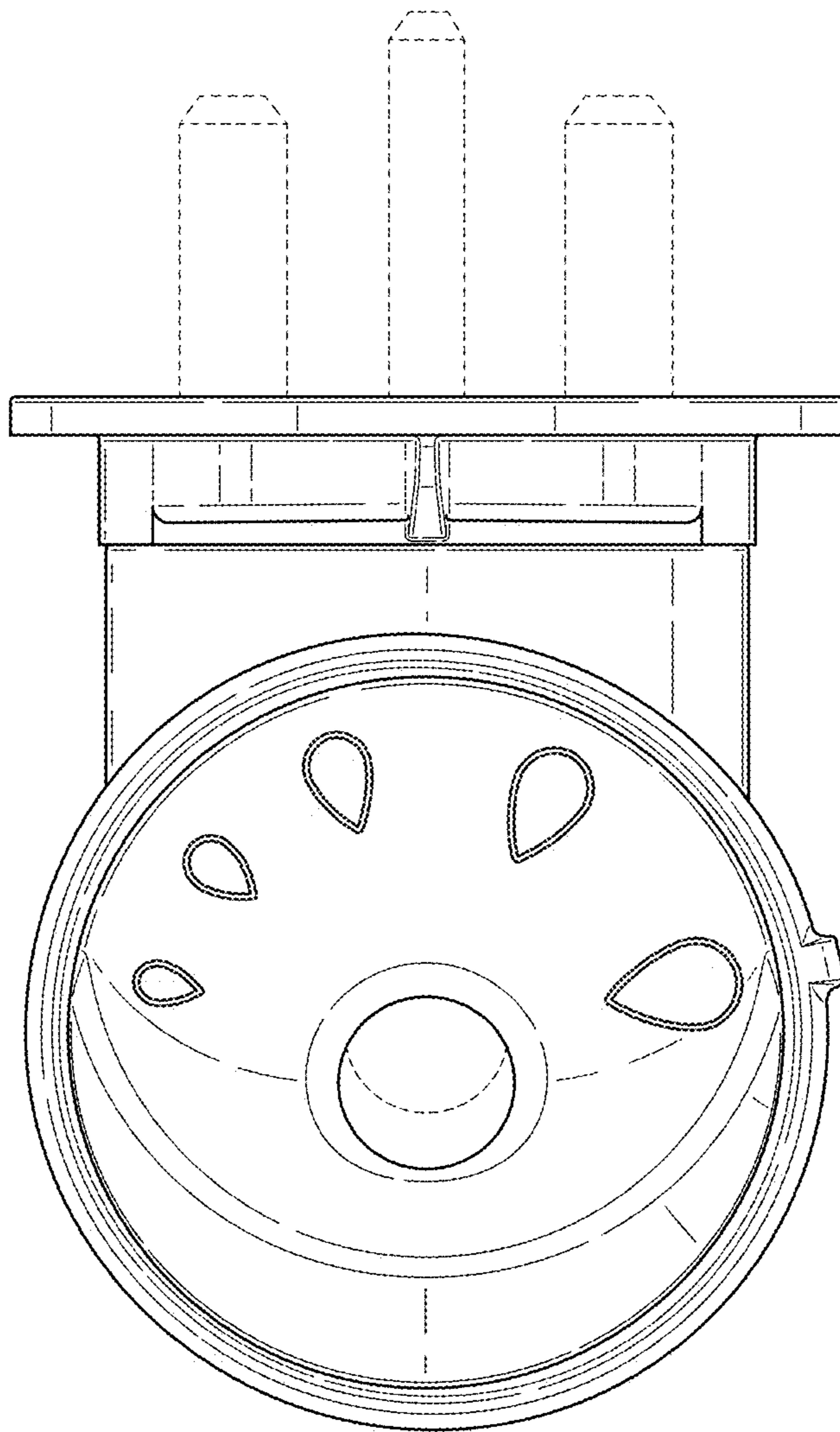


Fig. 6

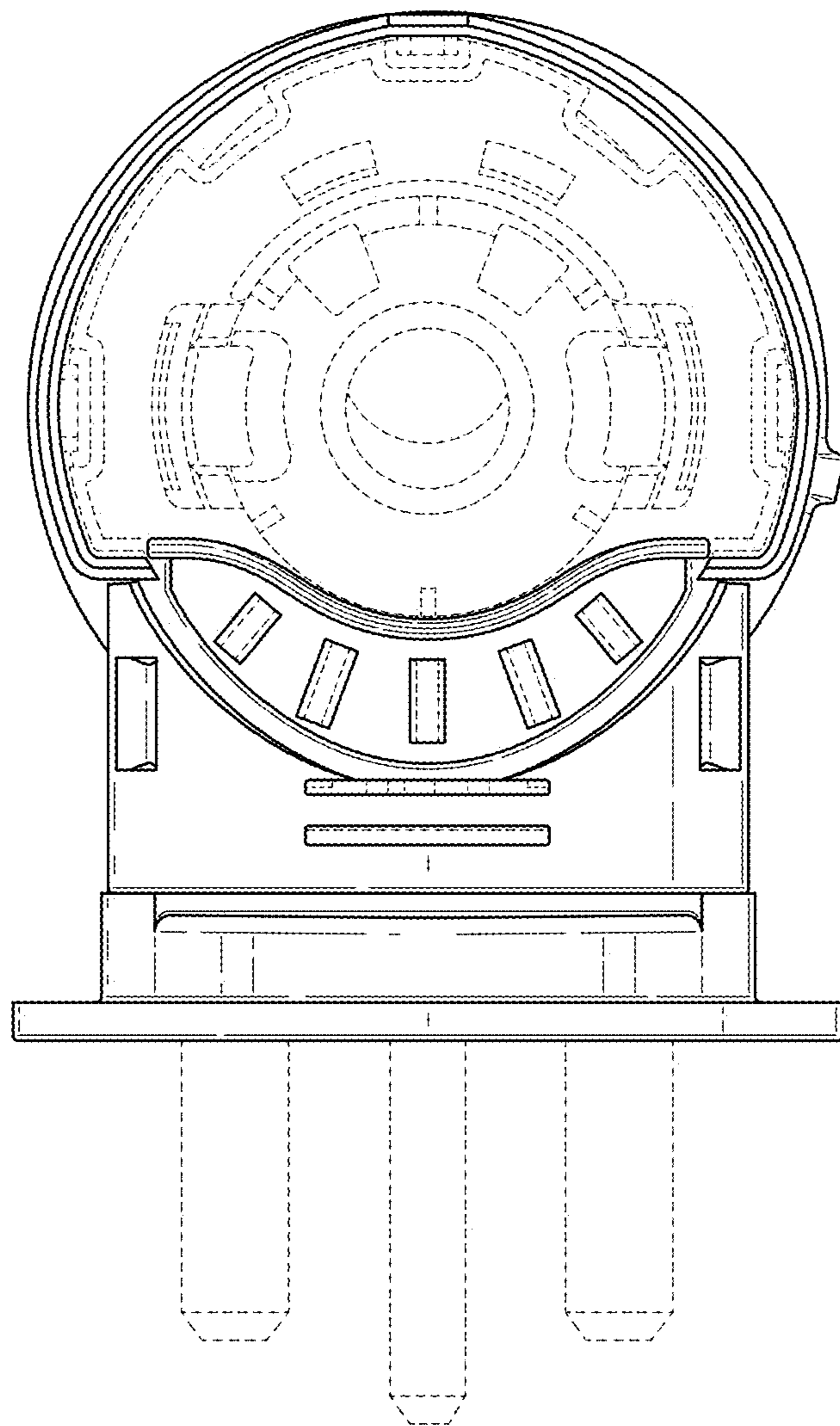


Fig. 7