



US00D945578S

(12) **United States Design Patent**  
**Herbst**

(10) **Patent No.:** **US D945,578 S**  
(45) **Date of Patent:** **\*\* Mar. 8, 2022**

- (54) **TOILET SEAT**
- (71) Applicant: **Martin Herbst**, Lofer (AT)
- (72) Inventor: **Martin Herbst**, Lofer (AT)
- (\*\*) Term: **15 Years**
- (21) Appl. No.: **29/744,827**
- (22) Filed: **Jul. 31, 2020**
- (51) **LOC (13) Cl.** ..... **23-02**
- (52) **U.S. Cl.**  
USPC ..... **D23/311**
- (58) **Field of Classification Search**  
USPC ..... D23/295, 300-301, 311-312  
See application file for complete search history.

*Primary Examiner* — Robert A Delehanty  
(74) *Attorney, Agent, or Firm* — Calfee Halter & Griswold LLP

(57) **CLAIM**

I claim the ornamental design for a toilet seat, as shown and described.

**DESCRIPTION**

FIG. 1 is a perspective view of a toilet seat of the present design;  
FIG. 2 is a front view thereof;  
FIG. 3 is a rear view thereof;  
FIG. 4 is a left side view thereof;  
FIG. 5 is a right side view thereof;  
FIG. 6 is a top view thereof; and,  
FIG. 7 is a bottom view thereof.  
The broken line showing of portions of this toilet seat is for the purpose of illustrating environmental structure and forms no part of the claimed design.

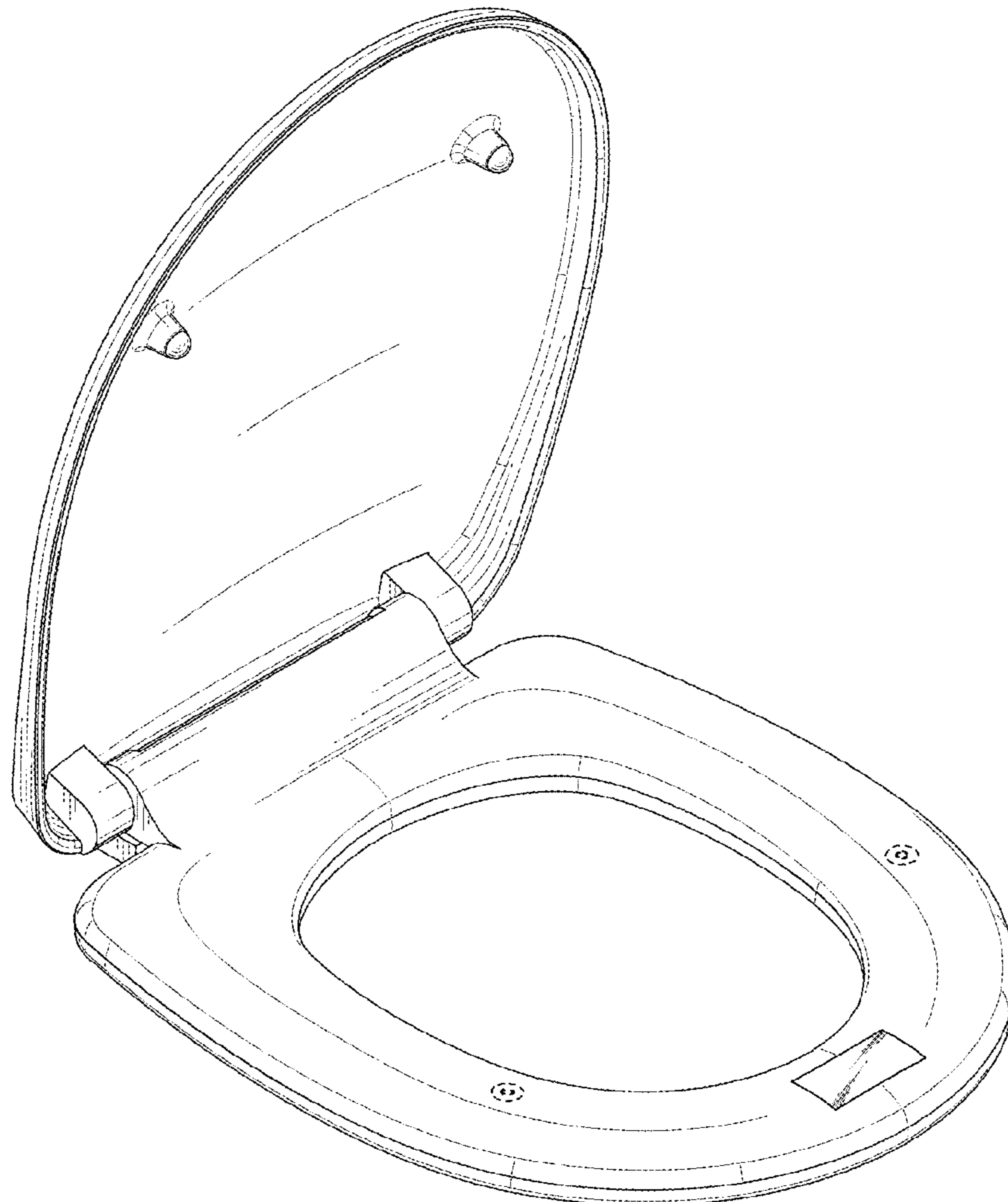
(56) **References Cited**

**U.S. PATENT DOCUMENTS**

- RE38,191 E \* 7/2003 Otte ..... A47K 13/00  
D23/311
- D853,540 S \* 7/2019 Snyder ..... D23/311
- 10,982,422 B2 \* 4/2021 Schwab ..... A47K 10/48
- 2018/0028797 A1 \* 2/2018 Schwab ..... A47K 13/24

\* cited by examiner

**1 Claim, 7 Drawing Sheets**



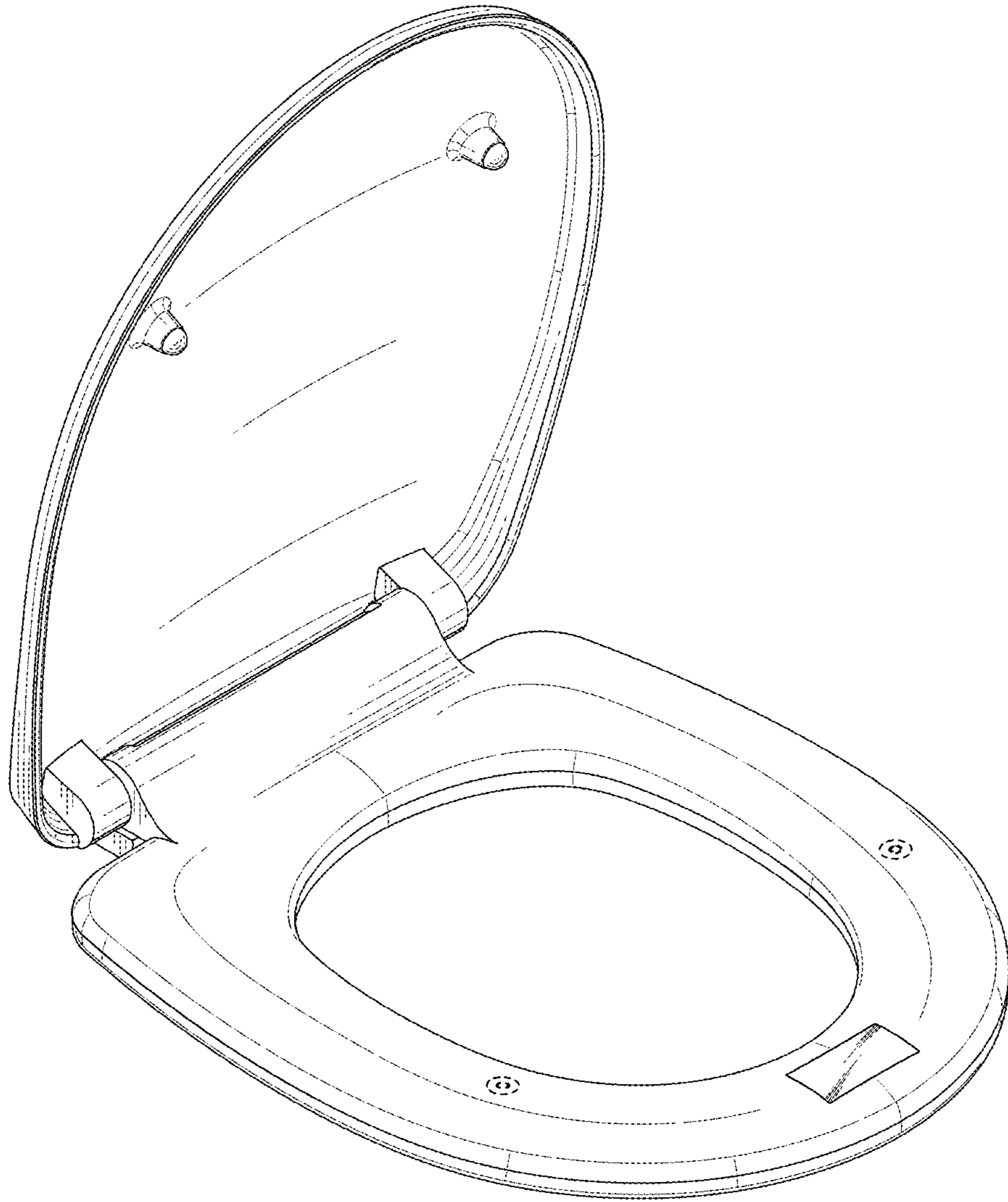


FIG. 1

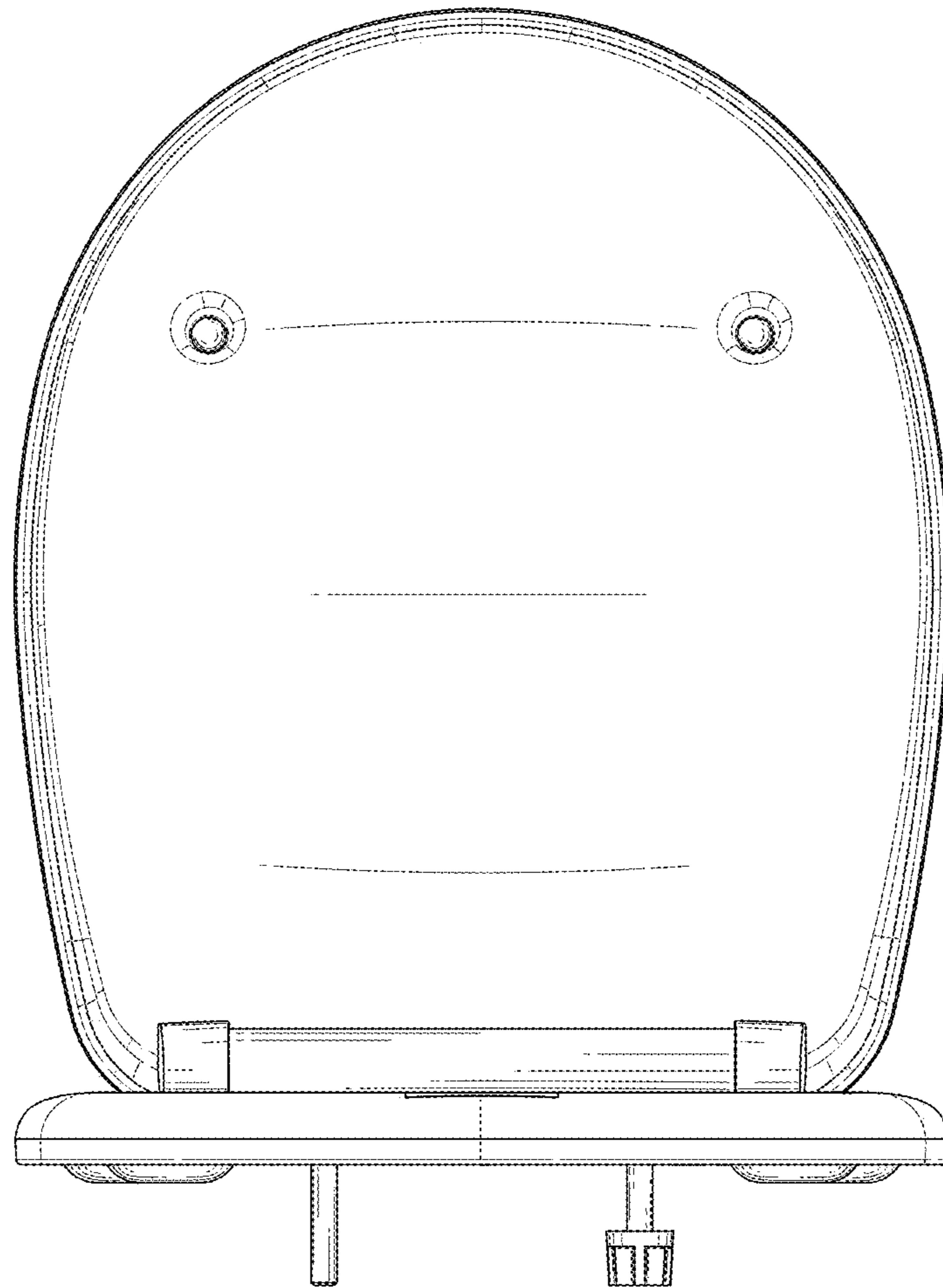


FIG. 2

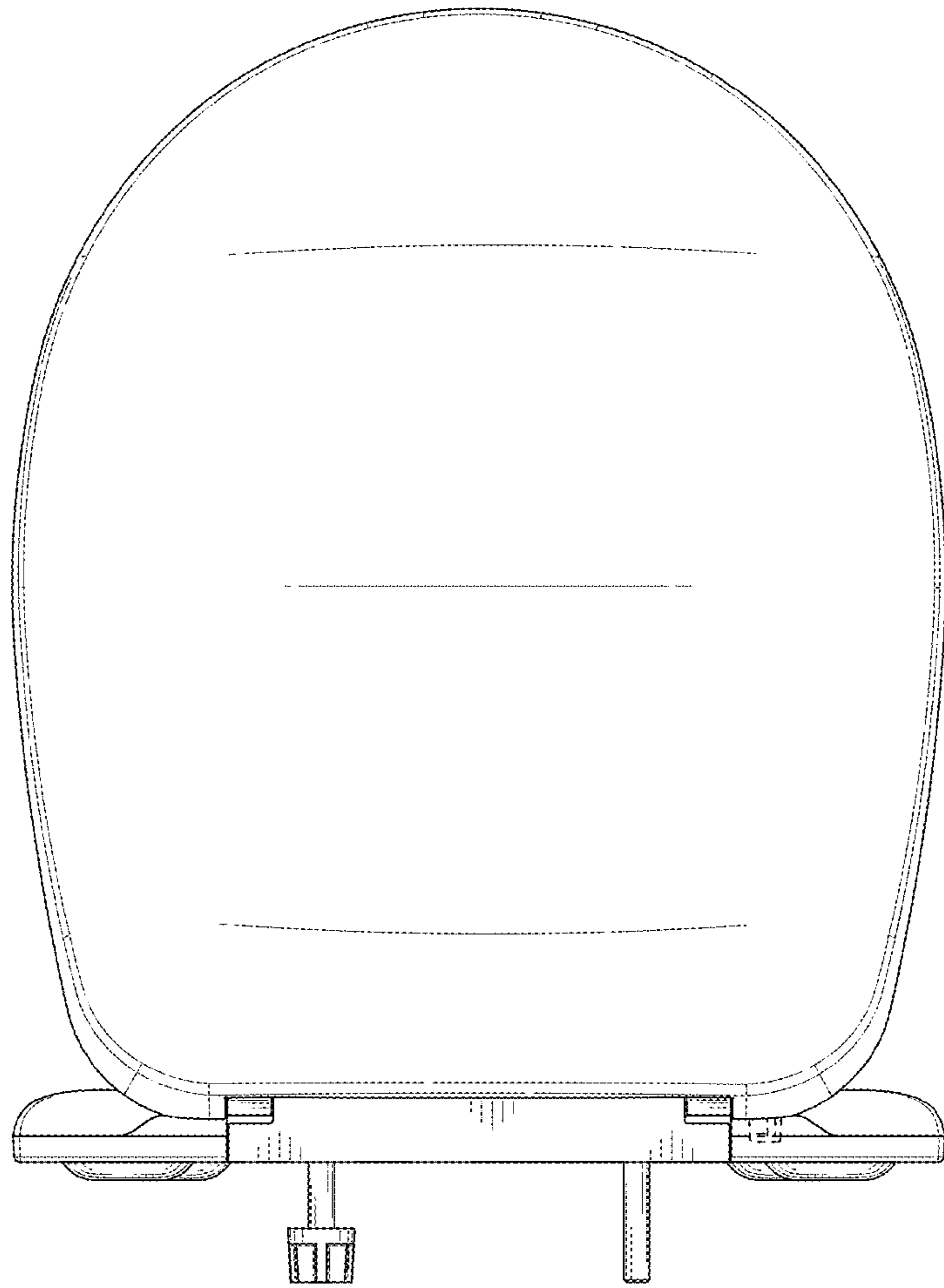


FIG. 3

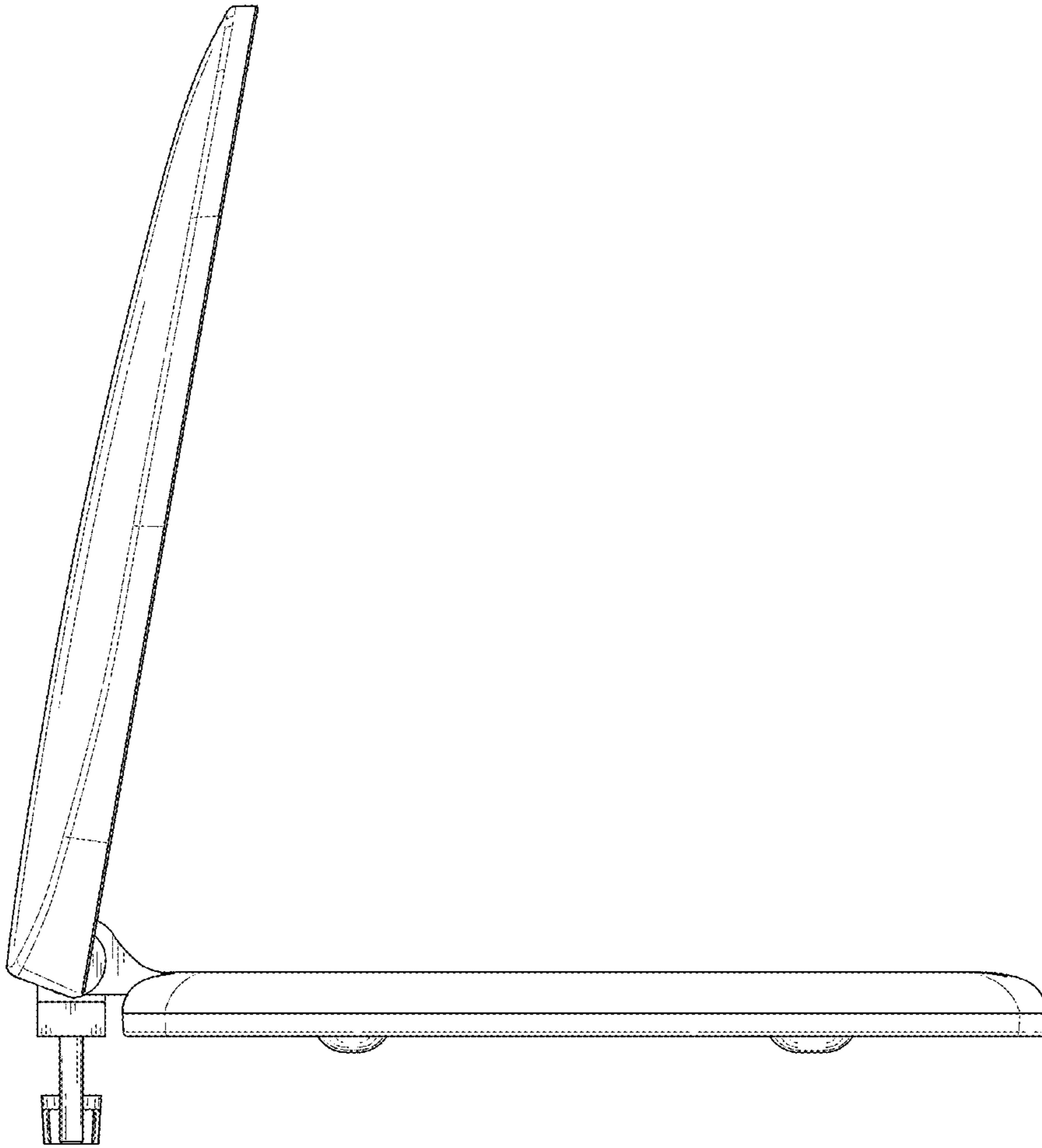


FIG. 4

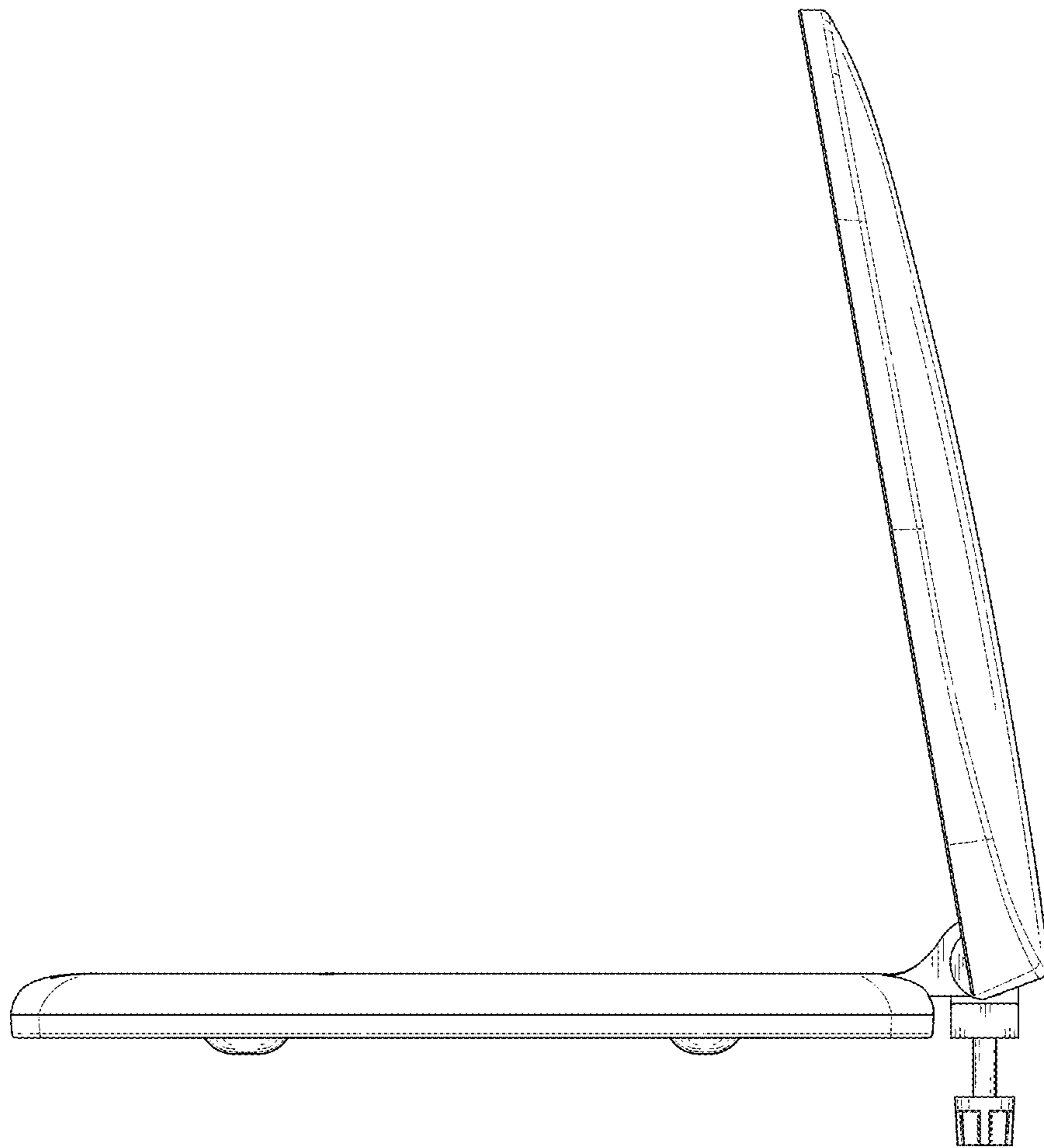


FIG. 5

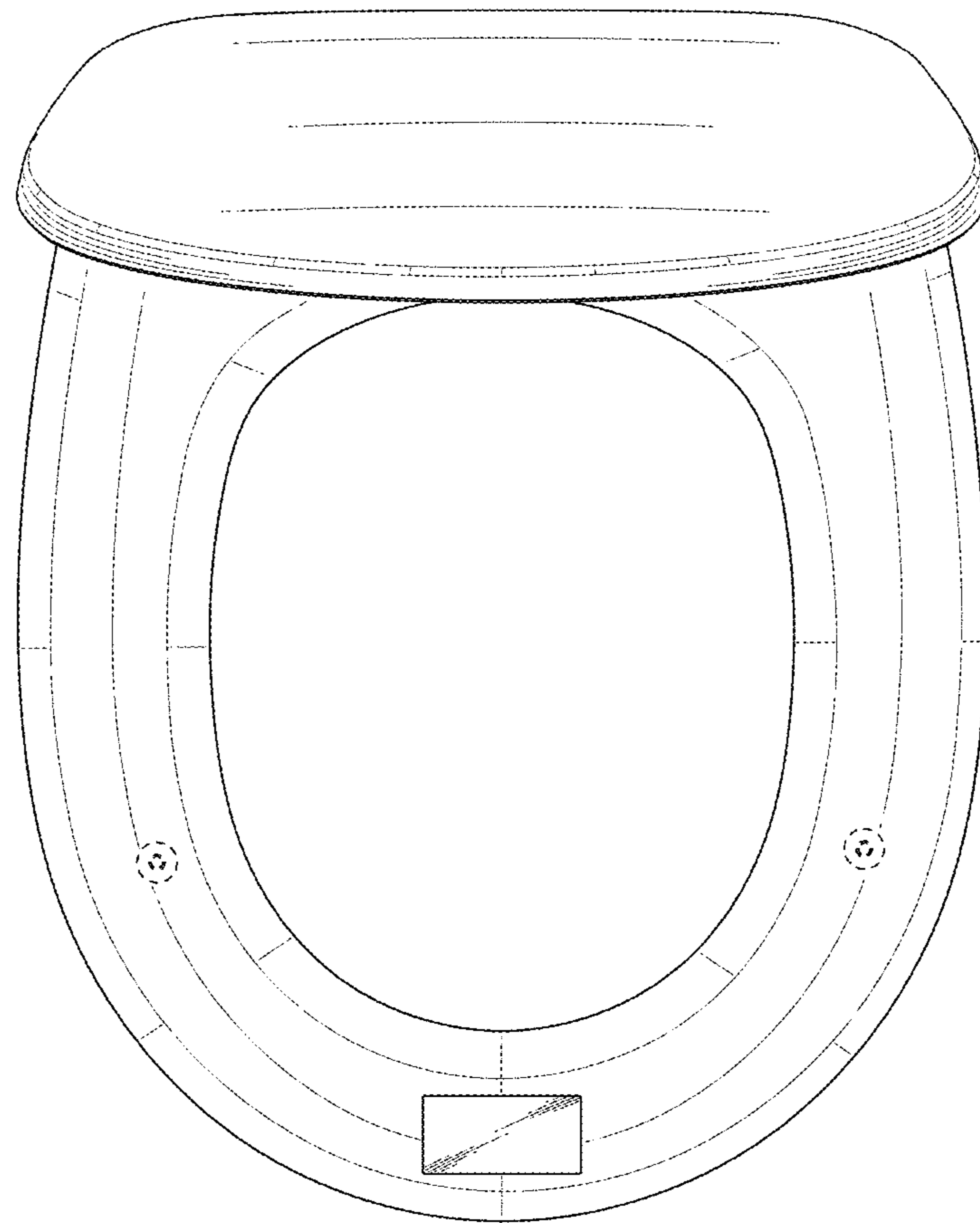


FIG. 6

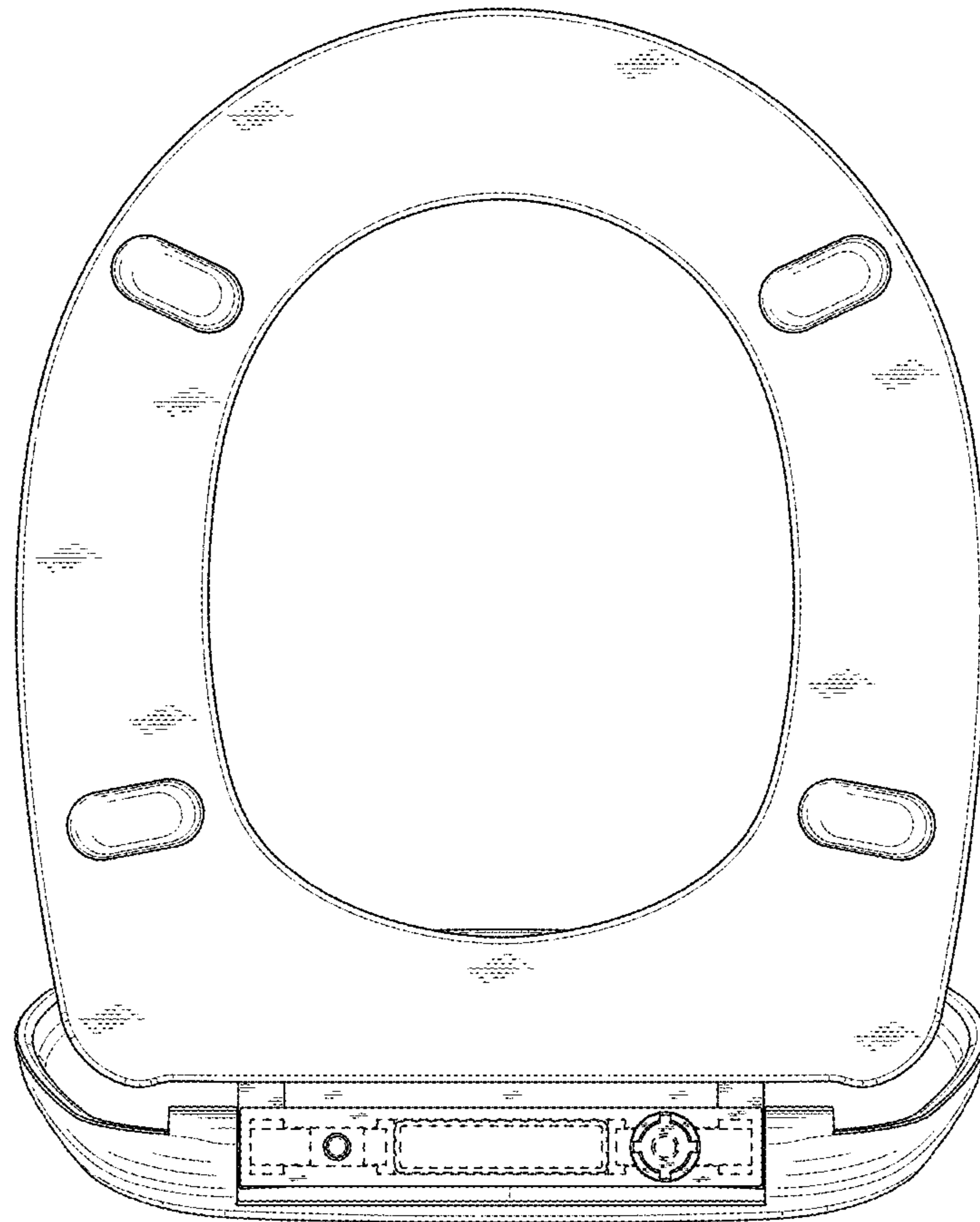


FIG. 7