



US00D945577S

(12) **United States Design Patent** (10) **Patent No.:** **US D945,577 S**
Stevenson et al. (45) **Date of Patent:** **** *Mar. 8, 2022**

- (54) **VANITY**
- (71) Applicant: **Kohler Mira Limited**, Cheltenham (GB)
- (72) Inventors: **Robert K. Stevenson**, London (GB); **Alexander M. Muspratt-Williams**, London (GB); **Mimi Jiang**, Shanghai (CN)
- (73) Assignee: **KOHLER MIRA LIMITED**, Gloucestershire (GB)
- (*) Notice: This patent is subject to a terminal disclaimer.
- (**) Term: **15 Years**
- (21) Appl. No.: **29/723,754**
- (22) Filed: **Feb. 10, 2020**

- D293,930 S 1/1988 Reid
- D295,669 S 5/1988 Kolada
- D295,670 S 5/1988 Reid et al.
- D328,338 S 7/1992 Ragonot
- D387,857 S 12/1997 McKeone
- D391,353 S 2/1998 McKeone
- D407,470 S 3/1999 McKeone
- D415,261 S 10/1999 Thomas
- D434,124 S 11/2000 McKeone
- D499,797 S 12/2004 Bates
- D504,170 S 4/2005 Kergoet
- D509,574 S 9/2005 Sutopo
- D509,887 S 9/2005 Sutopo
- D538,410 S 3/2007 Chensesseau
- D588,239 S 3/2009 Slothower
- D588,242 S 3/2009 Hanna
- D588,245 S 3/2009 Kohler, Jr.
- D598,081 S 8/2009 Soulier

(Continued)

Primary Examiner — John A Voytek
(74) *Attorney, Agent, or Firm* — Foley & Lardner LLP

(57) **CLAIM**

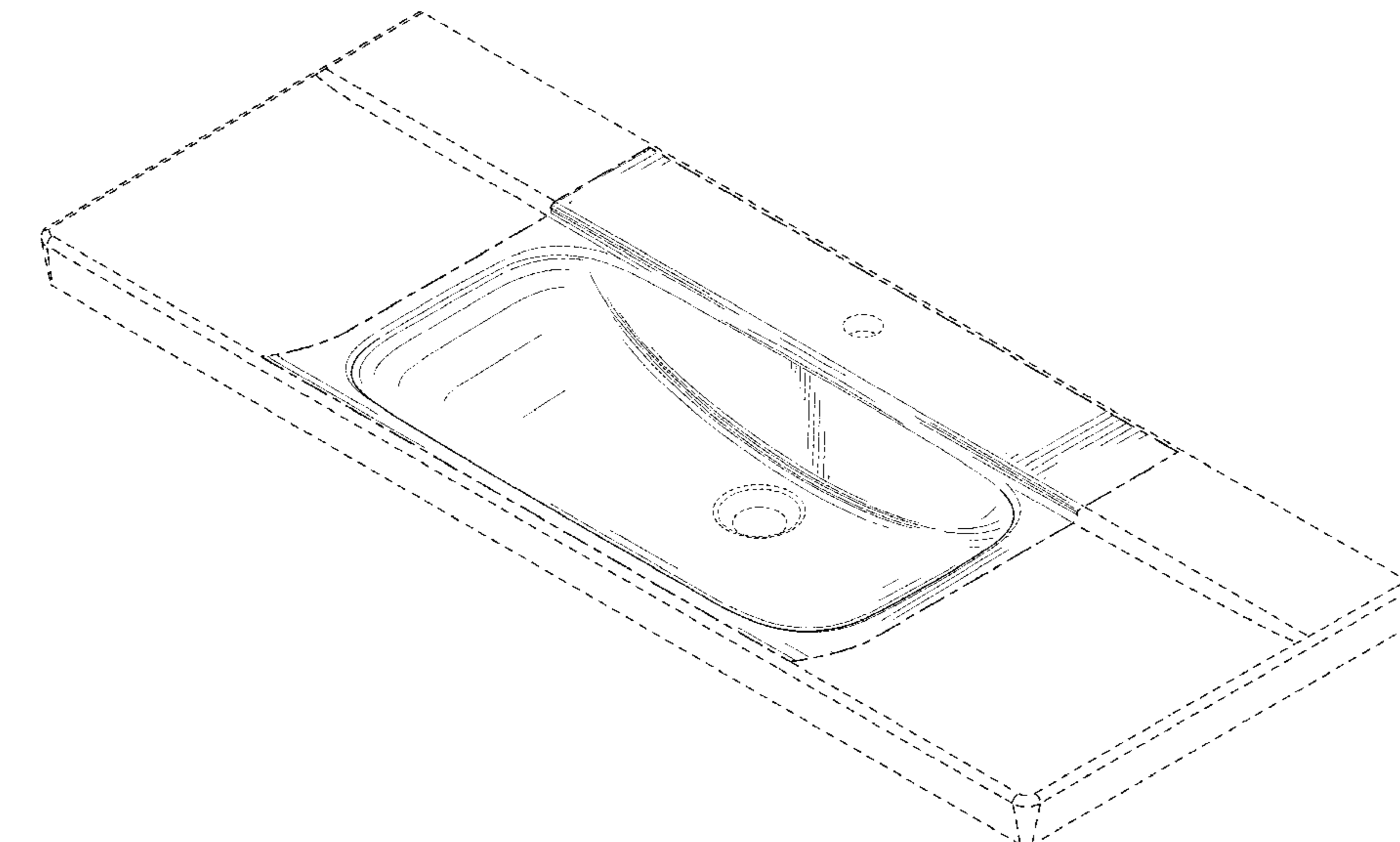
We claim the ornamental design for a vanity, as shown and described.

DESCRIPTION

FIG. 1 is a perspective view of an embodiment of the claimed design;
FIG. 2 is a front view of the embodiment of FIG. 1;
FIG. 3 is a top view of the embodiment of FIG. 1;
FIG. 4 is a cross-sectional view taken along line 4-4 in FIG. 3; and,
FIG. 5 is a cross-sectional view taken along line 5-5 in FIG. 3.

The ornamental design which is claimed is shown in solid lines in the drawings. The broken lines in the drawings form no part of the claimed design. Broken lines formed by equal length dashes show unclaimed subject matter. Broken lines formed of unequal length dashes (i.e., dash-dot) define bounds of the claimed design.

1 Claim, 5 Drawing Sheets



Related U.S. Application Data

- (62) Division of application No. 29/626,209, filed on Nov. 15, 2017, now Pat. No. Des. 879,266, which is a division of application No. 29/566,512, filed on May 31, 2016, now Pat. No. Des. 806,215.
- (51) **LOC (13) Cl.** **23-02**
- (52) **U.S. Cl.**
USPC **D23/308**; D23/293.1
- (58) **Field of Classification Search**
USPC D23/284, 293.1, 287-292, 303, 308
CPC A47K 1/04; A47B 77/06; A47J 47/20
See application file for complete search history.

References Cited

U.S. PATENT DOCUMENTS

- D191,432 S 10/1961 Chapman
- D274,642 S 7/1984 Doman
- D292,732 S 11/1987 Gates et al.

(56)

References Cited

U.S. PATENT DOCUMENTS

D598,990	S	8/2009	Duringer et al.	
D599,448	S	9/2009	Duringer et al.	
D611,128	S	3/2010	Soulier	
D624,632	S	9/2010	Booth	
D624,992	S	10/2010	Maitre	
D632,766	S	2/2011	Matsuura	
D634,409	S	3/2011	Palomba	
D634,410	S	3/2011	Palomba	
D645,125	S	9/2011	Palomba	
D659,811	S	5/2012	Licini	
D667,940	S	9/2012	Licini	
D687,530	S	8/2013	McGuire	
D691,247	S	10/2013	McGuire	
D691,248	S	10/2013	McGuire	
D713,513	S	9/2014	Chen	
D757,914	S	5/2016	Zhukovsky	
D800,278	S	10/2017	Breda	
D805,168	S	12/2017	Stevenson	
D805,169	S	12/2017	Stevenson	
D806,215	S	12/2017	Stevenson	
D806,841	S	1/2018	Stevenson	
D809,111	S	1/2018	Stevenson	
D827,112	S	8/2018	Stevenson	
D831,798	S	10/2018	L'Henaff	
D863,516	S *	10/2019	Stevenson	D23/308
D892,990	S *	8/2020	Thorne	D23/293.1
D912,229	S *	3/2021	Seum	D23/293.1
2021/0015307	A1 *	1/2021	Oberholzer	A47K 1/04

* cited by examiner

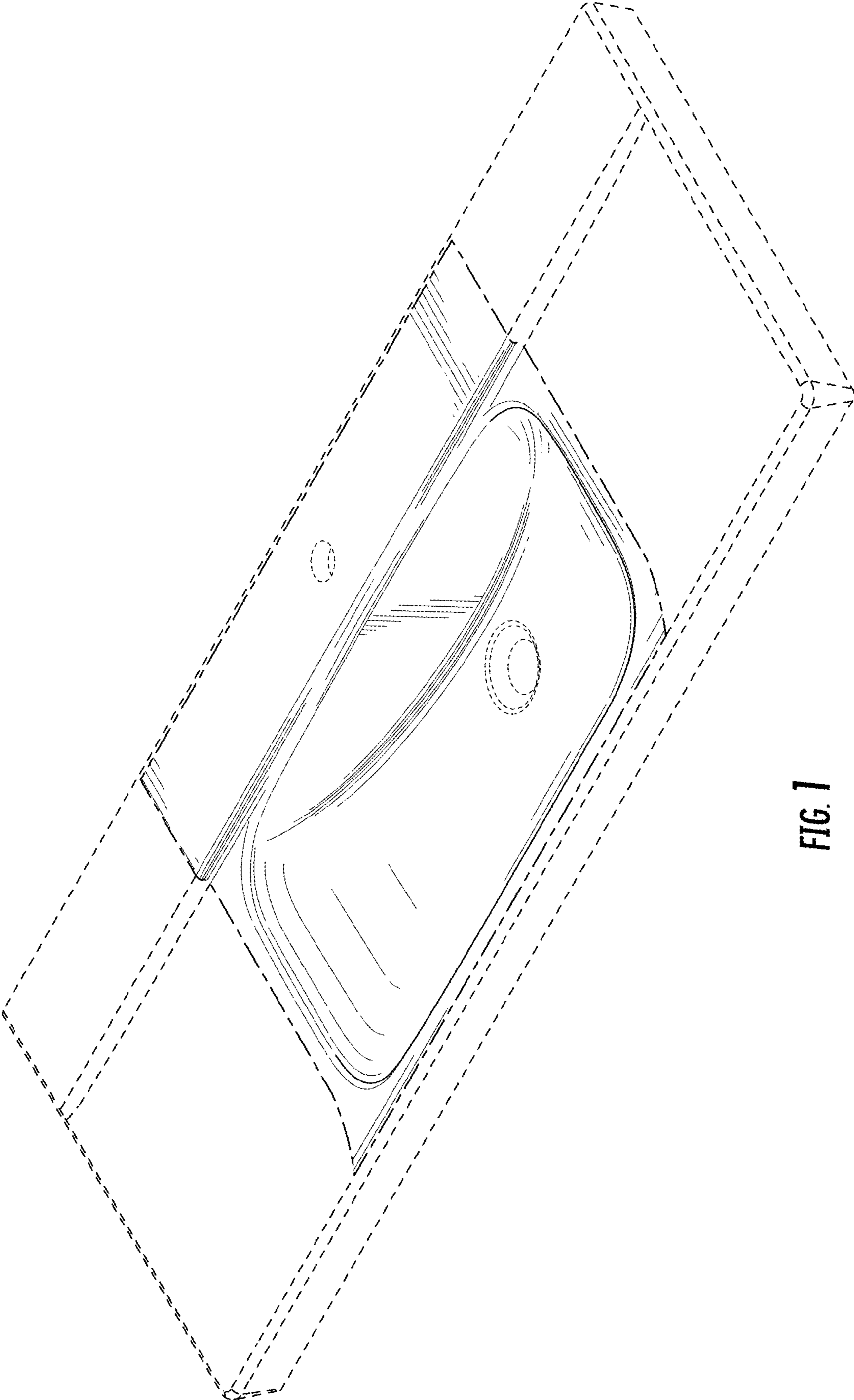


FIG. 1

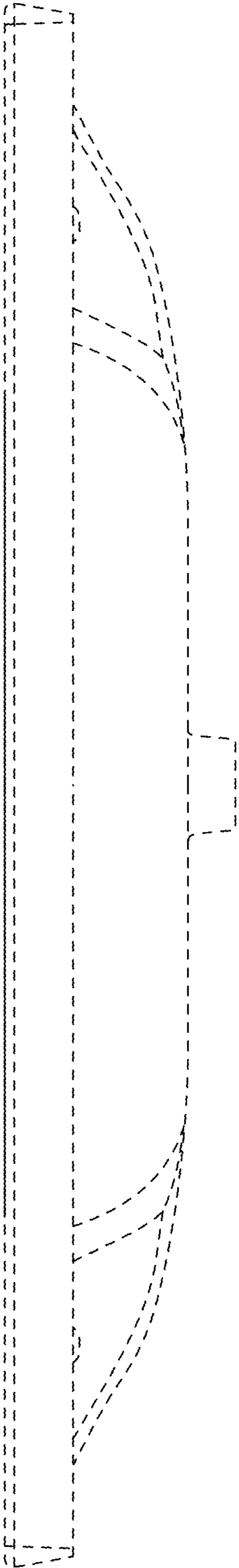


FIG. 2

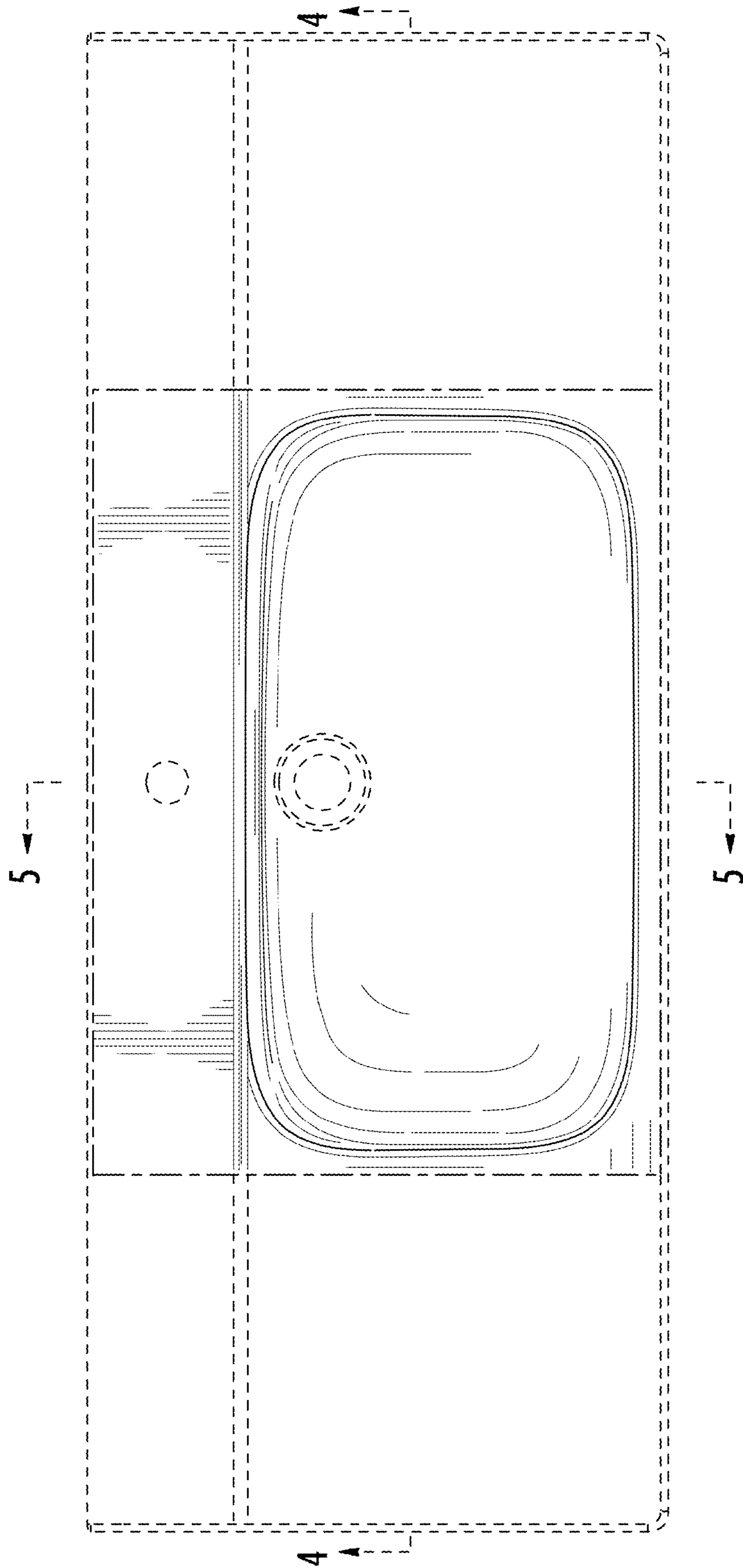


FIG. 3

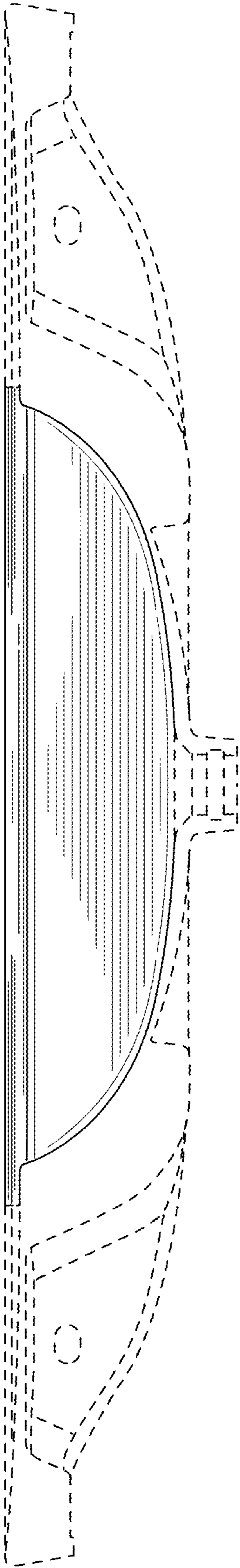


FIG. 4

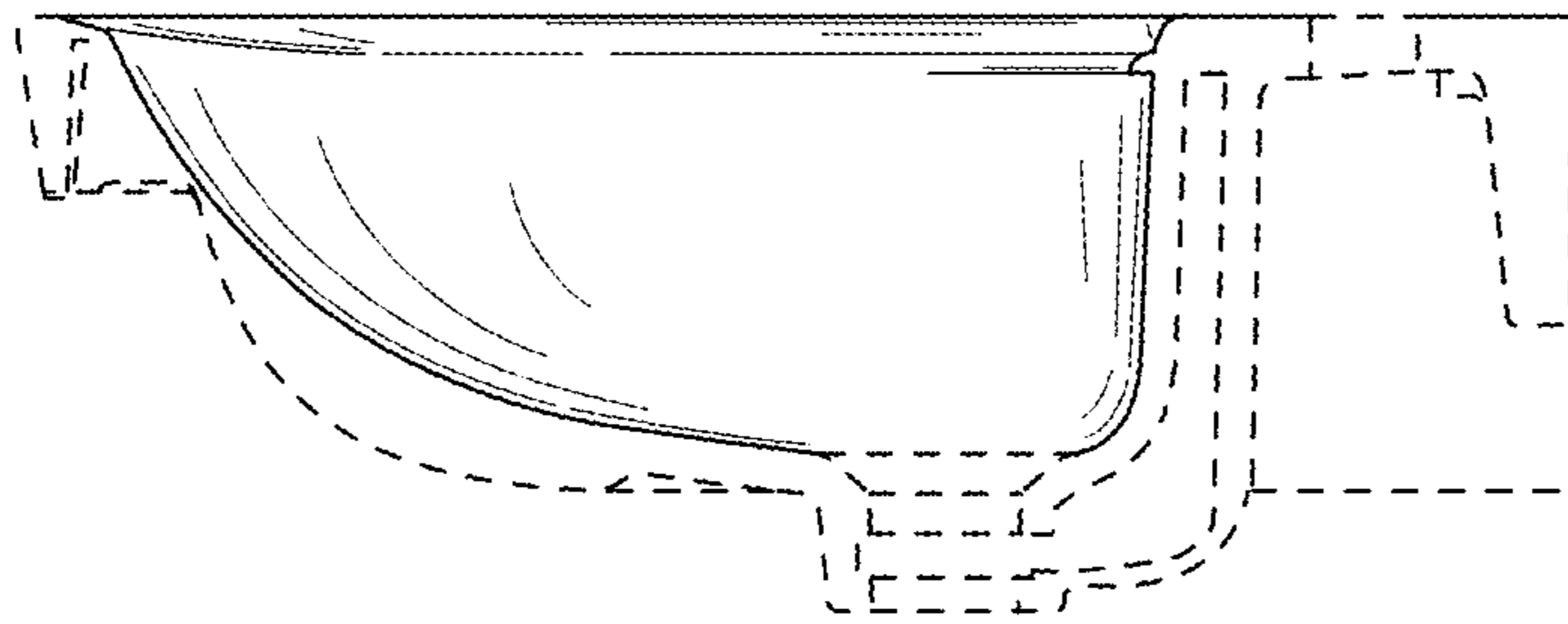


FIG. 5