



US00D945575S

(12) **United States Design Patent**
Levi

(10) **Patent No.:** **US D945,575 S**
(45) **Date of Patent:** **** Mar. 8, 2022**

- (54) **SINK**
- (71) Applicant: **KRAUS USA PLUMBING LLC**, Port Washington, NY (US)
- (72) Inventor: **Russell Levi**, Port Washington, NY (US)
- (73) Assignee: **KRAUS USA PLUMBING LLC**, Port Washington, NY (US)
- (**) Term: **15 Years**
- (21) Appl. No.: **29/807,969**
- (22) Filed: **Sep. 16, 2021**

- D892,989 S * 8/2020 Osher D23/284
- 10,844,582 B1 * 11/2020 Hocaoglu E03C 1/182
- D911,497 S * 2/2021 Levi D23/284
- D914,170 S * 3/2021 Li D23/290
- 2020/0102727 A1 * 4/2020 Li E03C 1/18
- 2020/0399877 A1 * 12/2020 Liang E03C 1/18

* cited by examiner

Primary Examiner — Robert A Delehanty
(74) *Attorney, Agent, or Firm* — Nirav D. Parikh; Edgar A. Zarins

Related U.S. Application Data

- (62) Division of application No. 29/701,570, filed on Aug. 13, 2019.
- (51) **LOC (13) Cl.** **23-02**
- (52) **U.S. Cl.**
USPC **D23/284**
- (58) **Field of Classification Search**
USPC D23/284, 286–287, 290, 292, 293.1, 308
CPC A47K 1/04; A47B 77/06
See application file for complete search history.

References Cited

U.S. PATENT DOCUMENTS

- D655,798 S * 3/2012 Miller D23/284
- D869,618 S * 12/2019 Walther D23/284

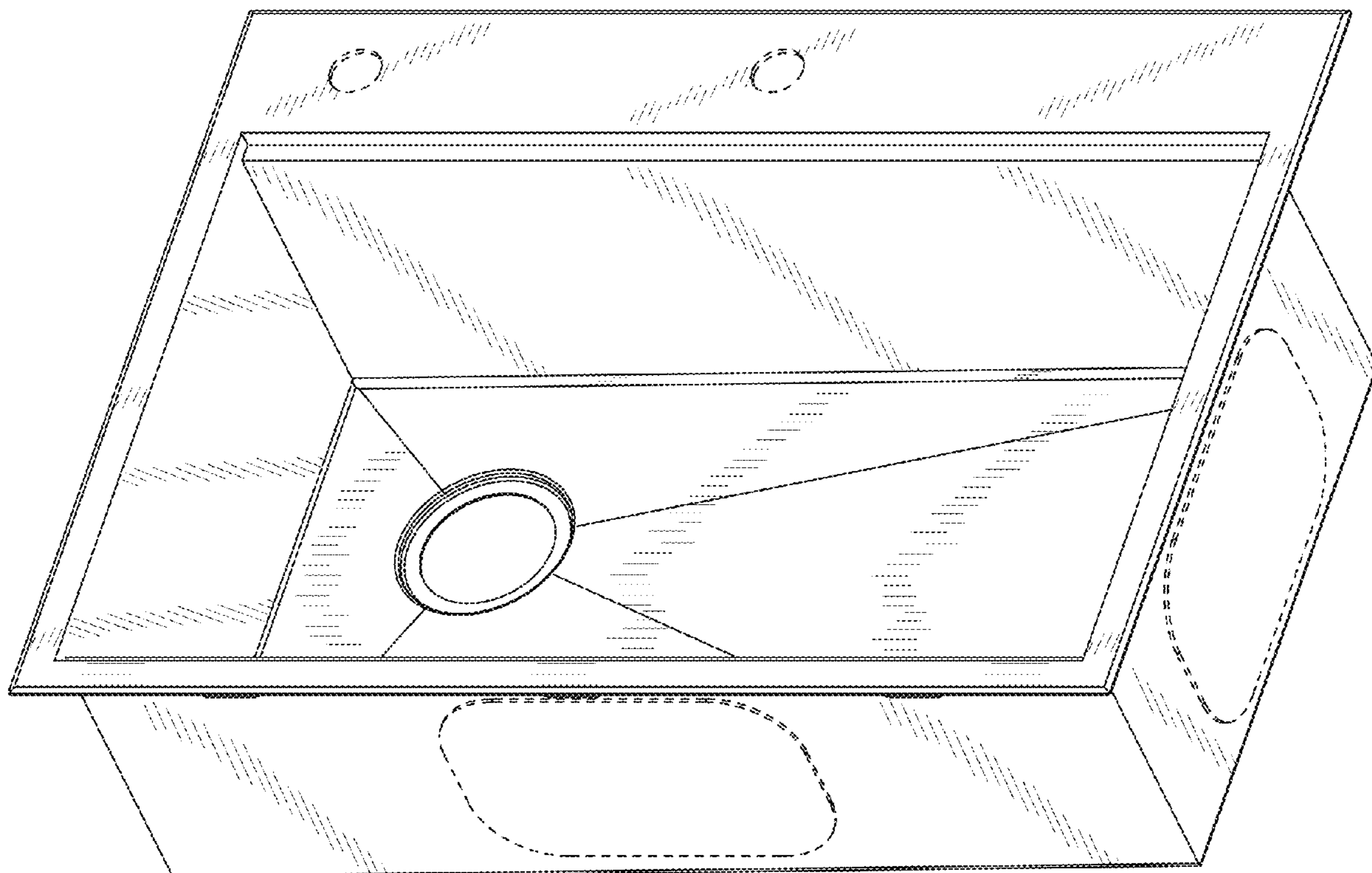
(57) **CLAIM**

The ornamental design for a sink, as shown and described.

DESCRIPTION

FIG. 1 is a front perspective view of a sink in accordance with the present design;
FIG. 2 is a front elevational view thereof;
FIG. 3 is a top plan view thereof;
FIG. 4 is a bottom plan view thereof;
FIG. 5 is a right end view thereof; and,
FIG. 6 is a left end view thereof.
The broken lines shown are included for the purpose of illustrating a portion of the sink that form no part of the claimed design.

1 Claim, 5 Drawing Sheets



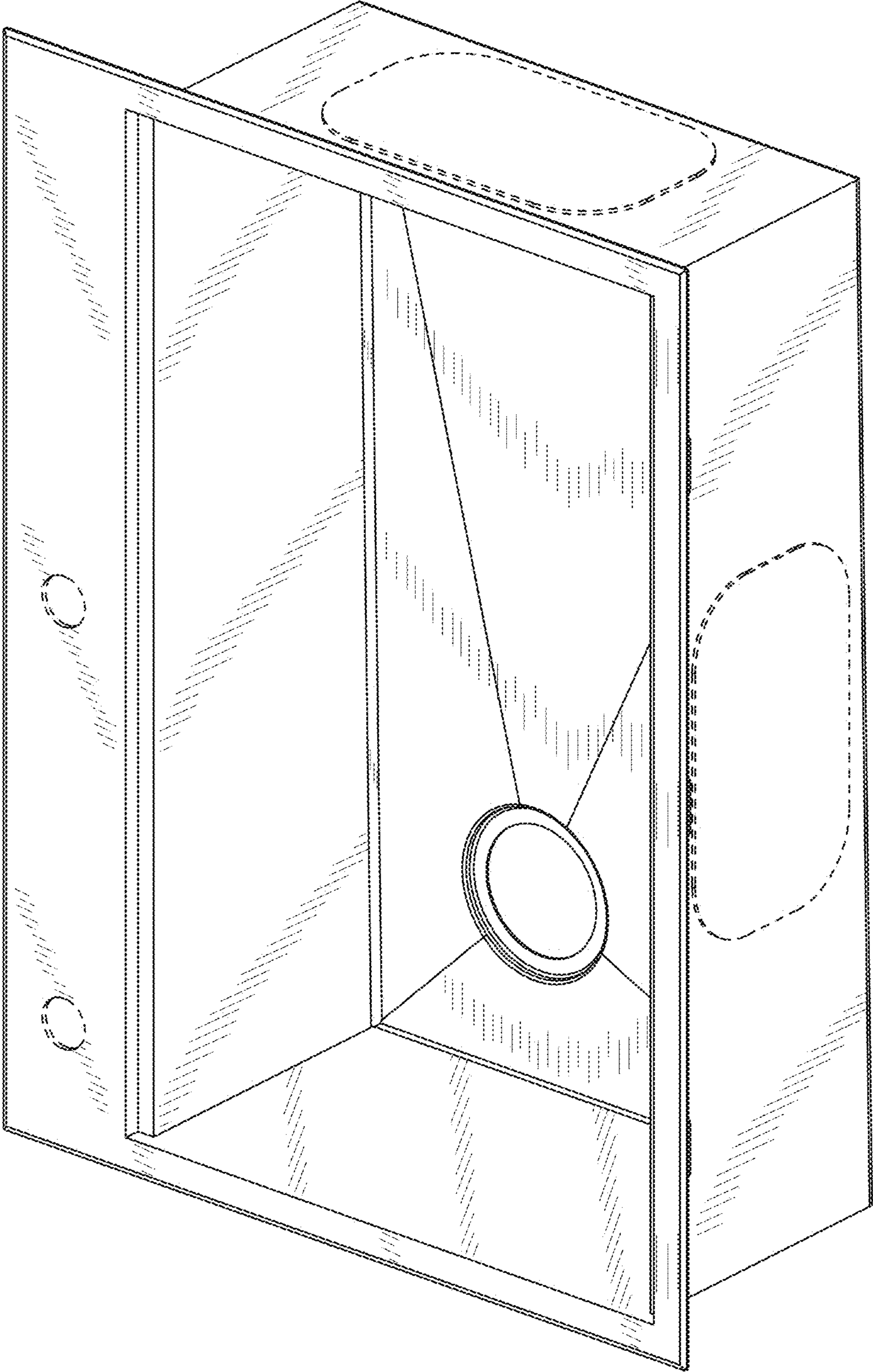


FIG. 1

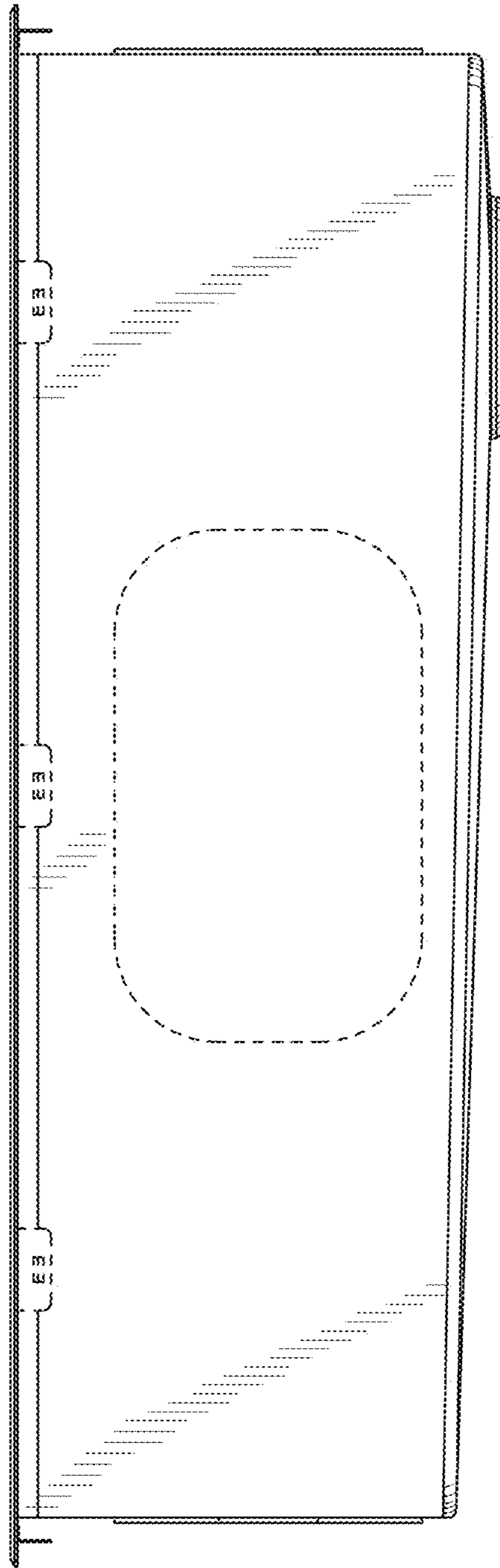


FIG. 2

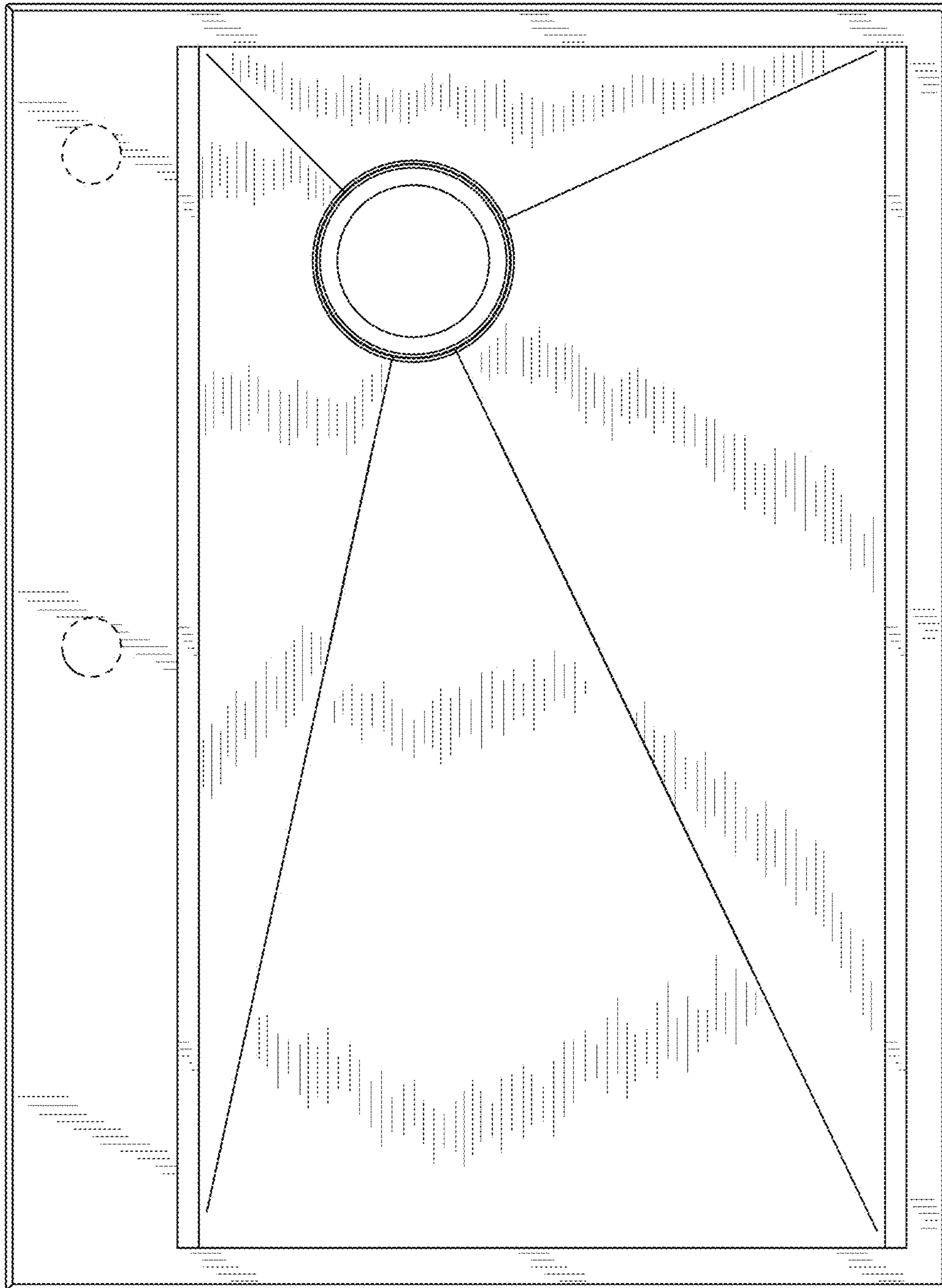


FIG. 3

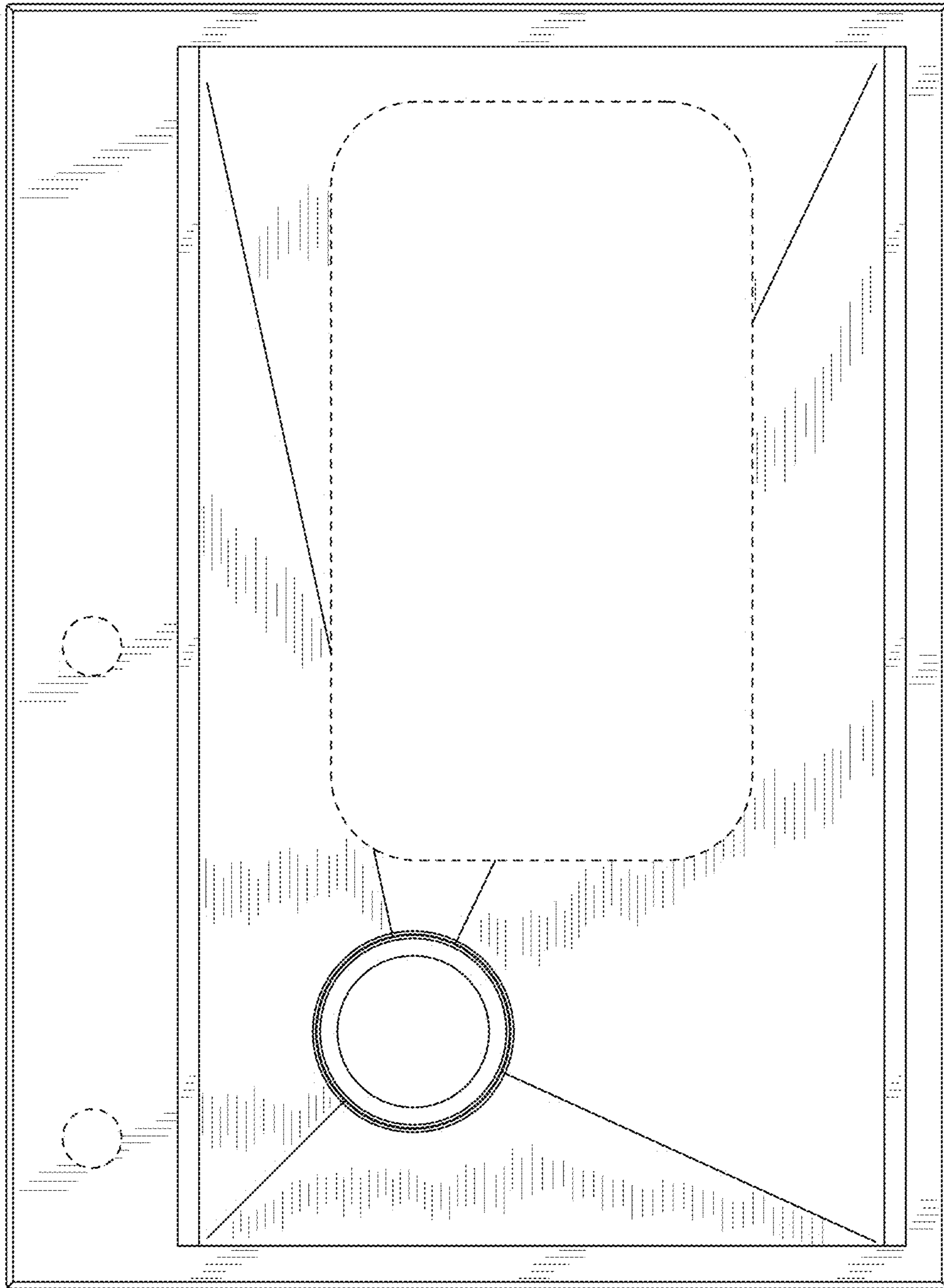


FIG. 4

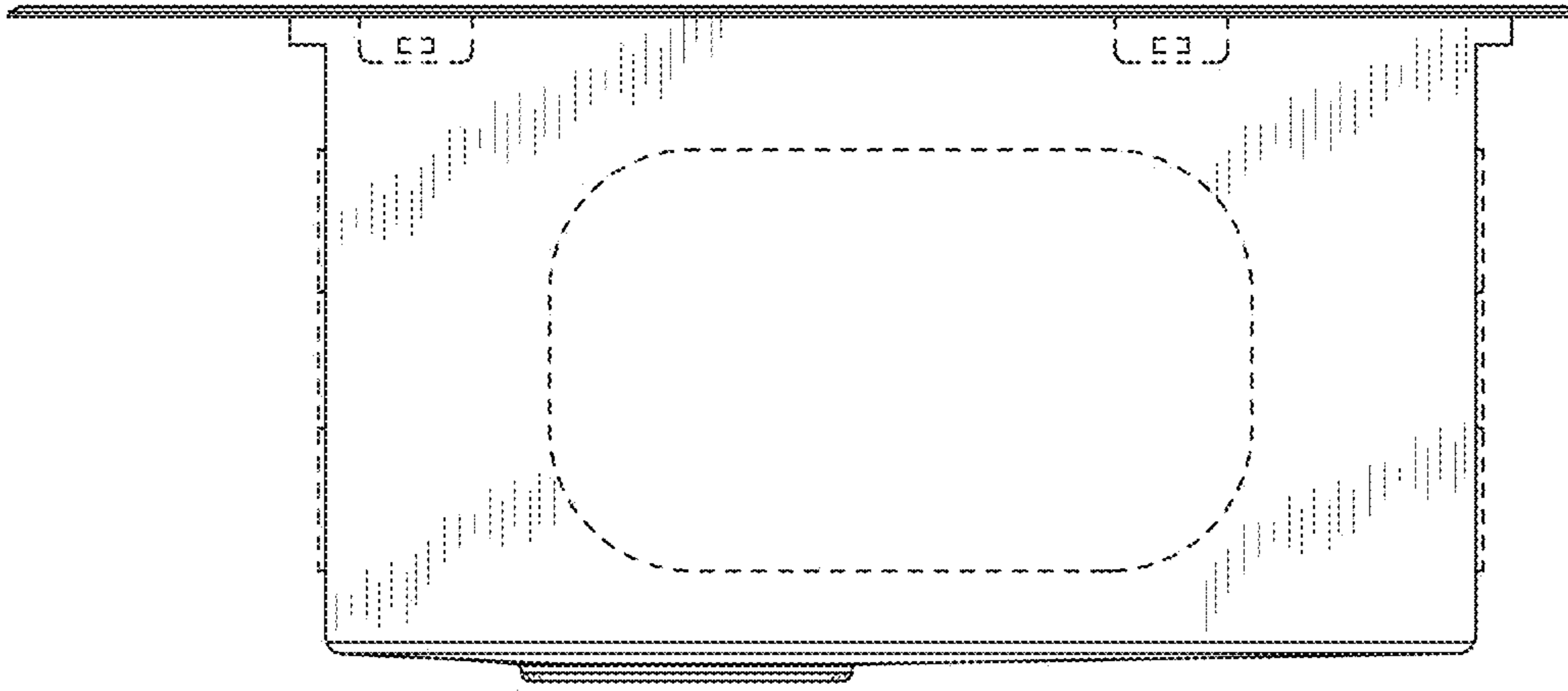


FIG. 6

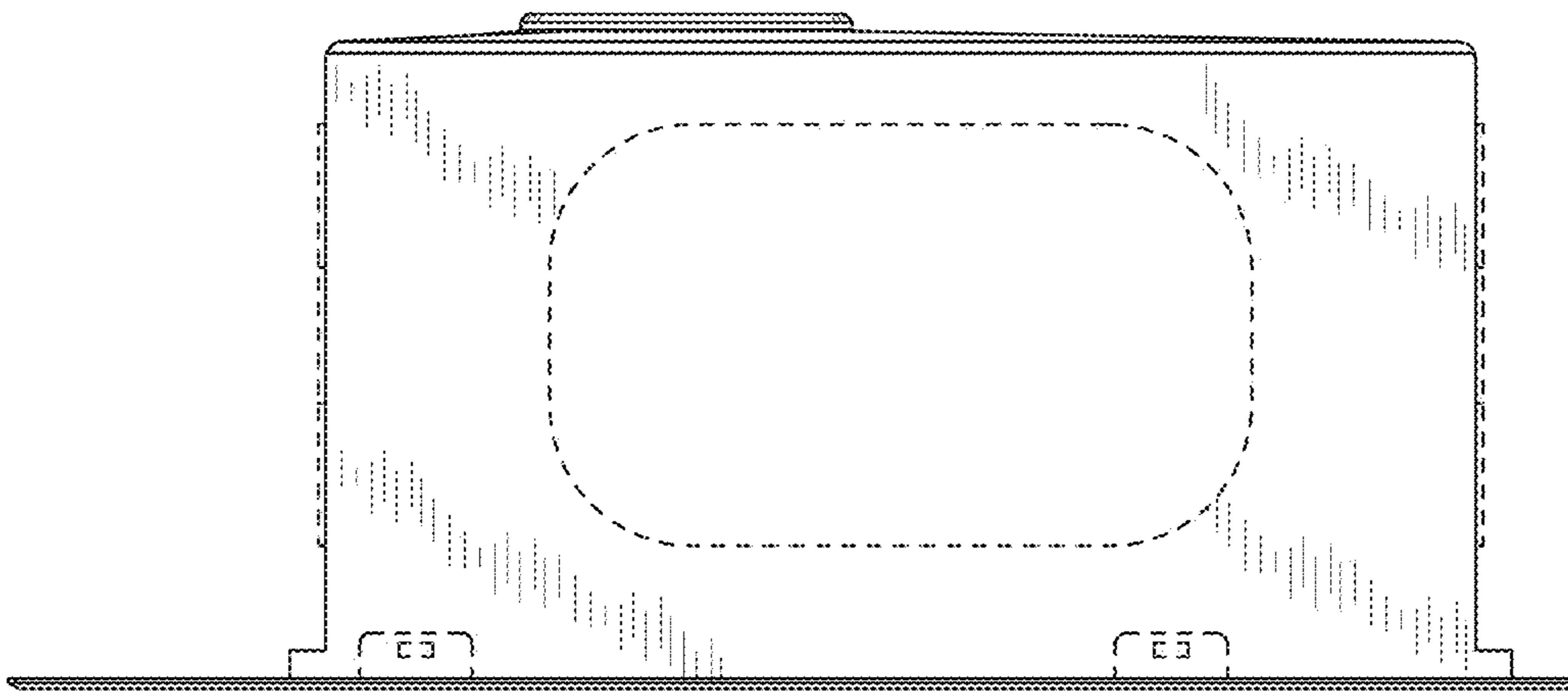


FIG. 5