



US00D945574S

(12) **United States Design Patent**  
**Levi**

(10) **Patent No.:** **US D945,574 S**  
(45) **Date of Patent:** **\*\* Mar. 8, 2022**

- (54) **SINK**
- (71) Applicant: **KRAUS USA PLUMBING LLC**, Port Washington, NY (US)
- (72) Inventor: **Russell Levi**, Port Washington, NY (US)
- (73) Assignee: **KRAUS USA PLUMBING LLC**, Port Washington, NY (US)
- (\*\*) Term: **15 Years**
- (21) Appl. No.: **29/807,964**
- (22) Filed: **Sep. 16, 2021**

**Related U.S. Application Data**

- (62) Division of application No. 29/701,077, filed on Aug. 8, 2019.
- (51) **LOC (13) Cl.** ..... **23-02**
- (52) **U.S. Cl.**  
USPC ..... **D23/284**
- (58) **Field of Classification Search**  
USPC ..... D23/284, 286-287, 290, 292, 293.1, 308  
CPC ..... A47K 1/04; A47B 77/06  
See application file for complete search history.

(56) **References Cited**

**U.S. PATENT DOCUMENTS**

- D648,838 S \* 11/2011 Booth ..... D23/290
- D669,559 S \* 10/2012 Booth ..... D23/290

- D671,197 S \* 11/2012 Miller ..... D23/290
- D911,497 S \* 2/2021 Levi ..... D23/284
- D918,352 S \* 5/2021 Li ..... D23/290
- 2014/0259380 A1\* 9/2014 Eilmus ..... E03C 1/22  
4/650
- 2018/0030704 A1\* 2/2018 Bomatter ..... E03C 1/18

\* cited by examiner

*Primary Examiner* — Robert A Delehanty

(74) *Attorney, Agent, or Firm* — Nirav D. Parikh; Edgar A. Zarins

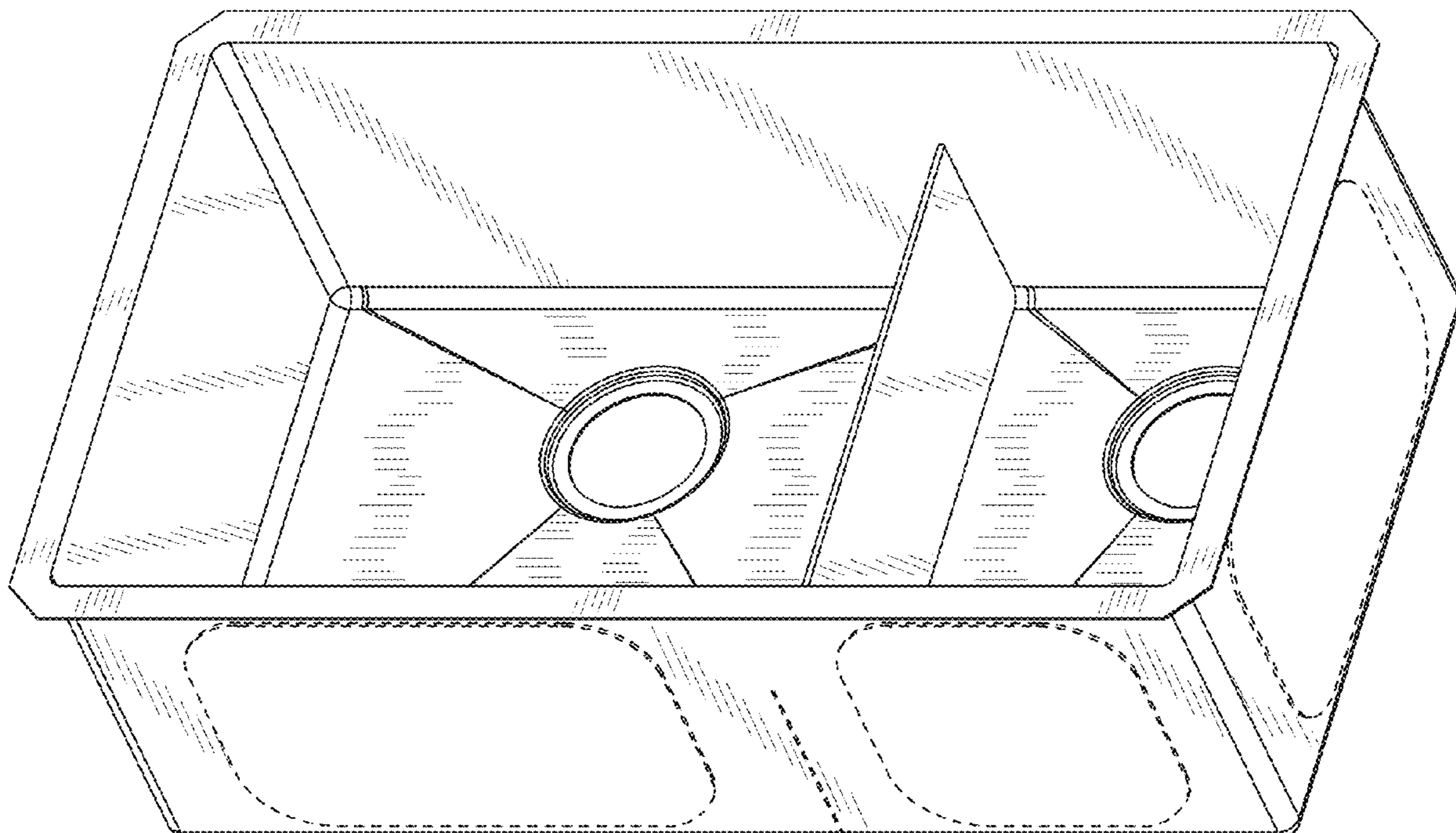
(57) **CLAIM**

The ornamental design for a sink, as shown and described.

**DESCRIPTION**

FIG. 1 is a front perspective view of a sink in accordance with the present design;  
 FIG. 2 is a front elevational view thereof;  
 FIG. 3 is a top plan view thereof;  
 FIG. 4 is a bottom plan view thereof;  
 FIG. 5 is a right end view thereof; and,  
 FIG. 6 is a left end view thereof.  
 The broken lines shown are included for the purpose of illustrating a portion of the sink that form no part of the claimed design.

**1 Claim, 5 Drawing Sheets**



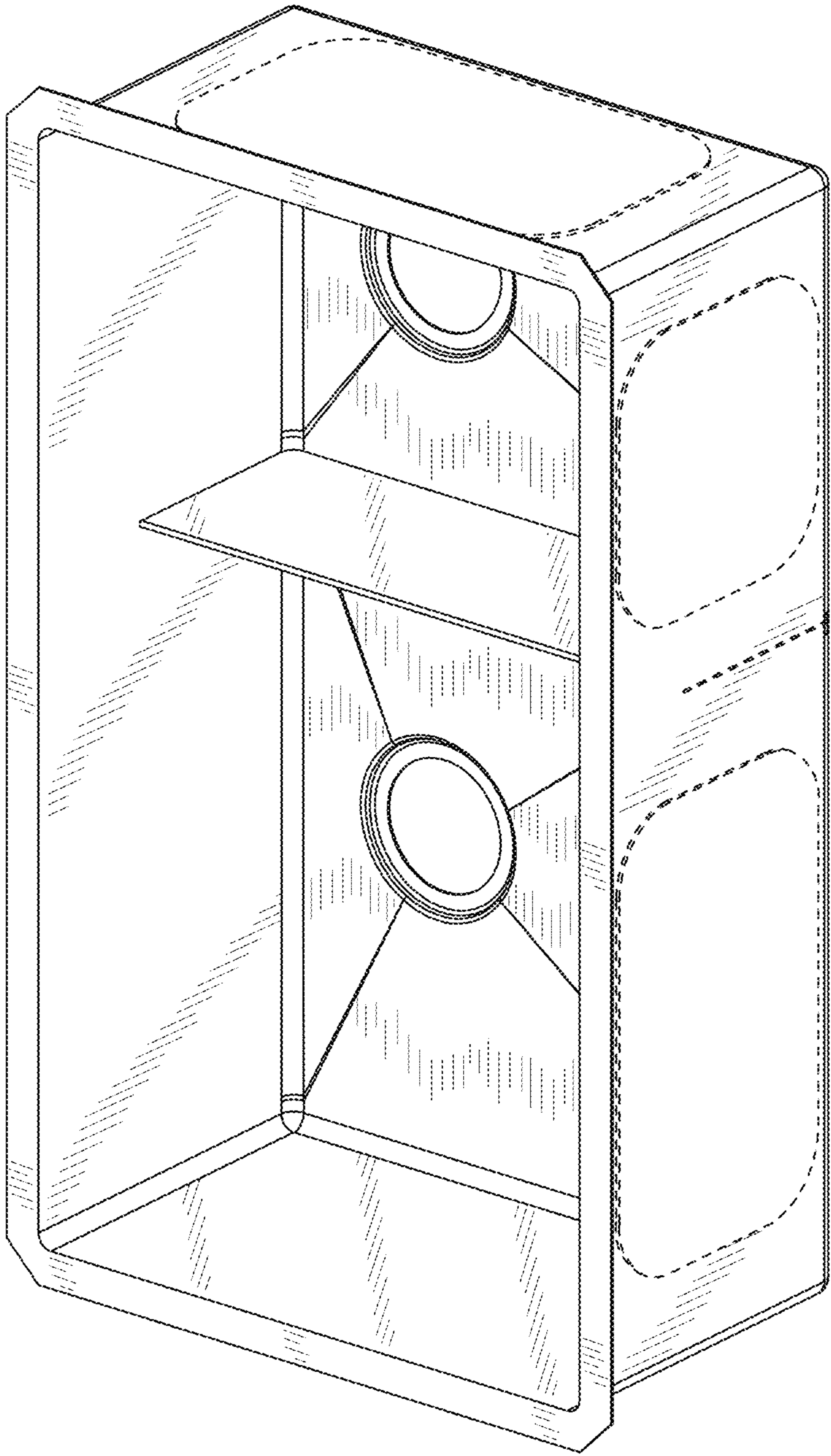


FIG. 1

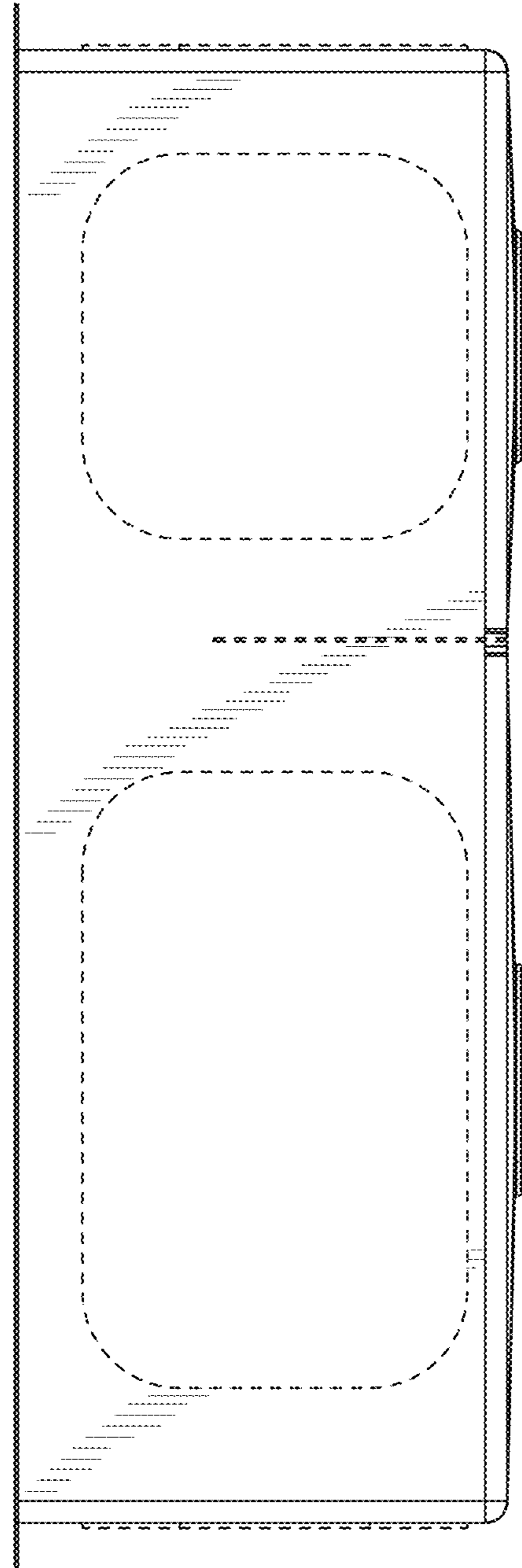


FIG. 2

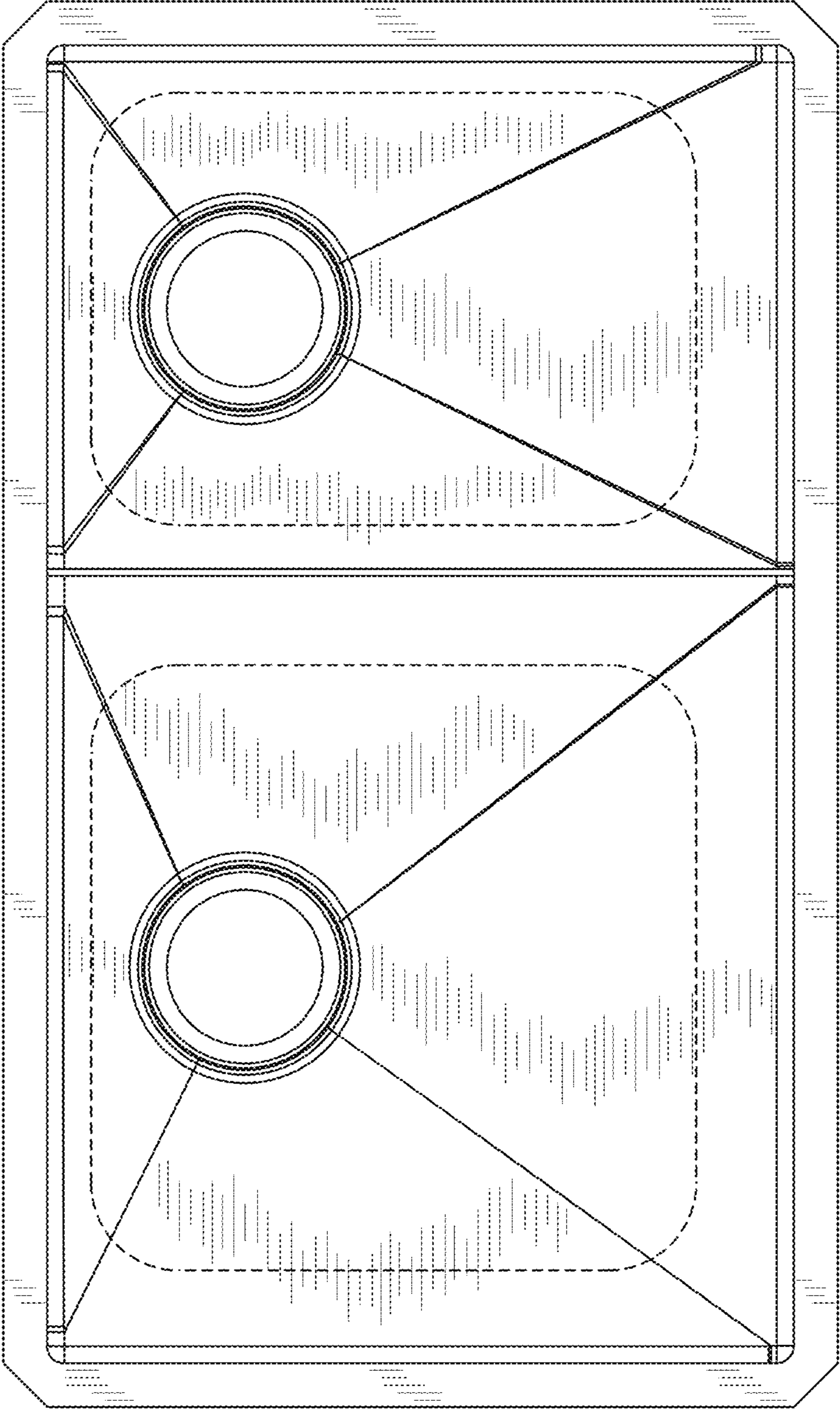


FIG. 3



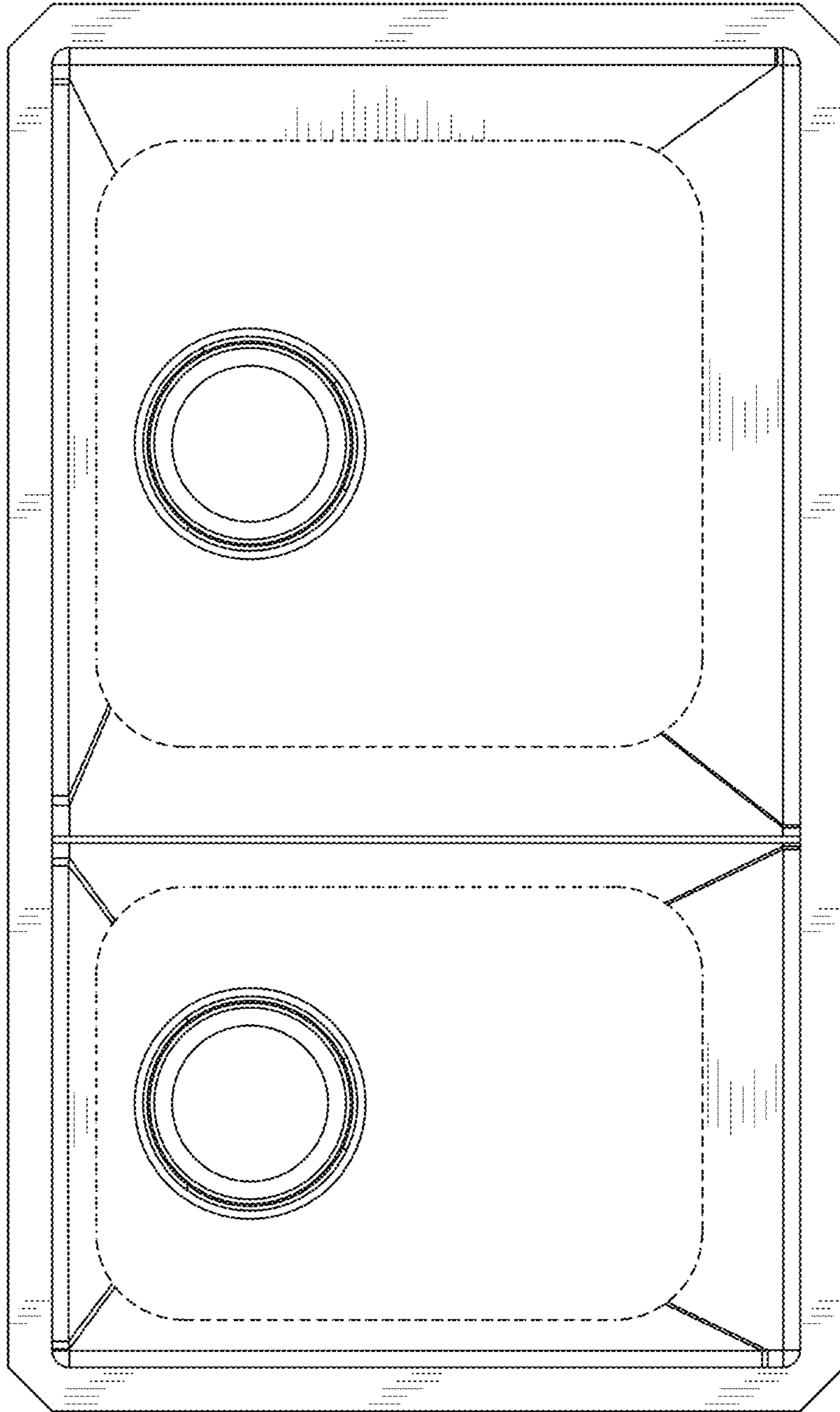


FIG. 4

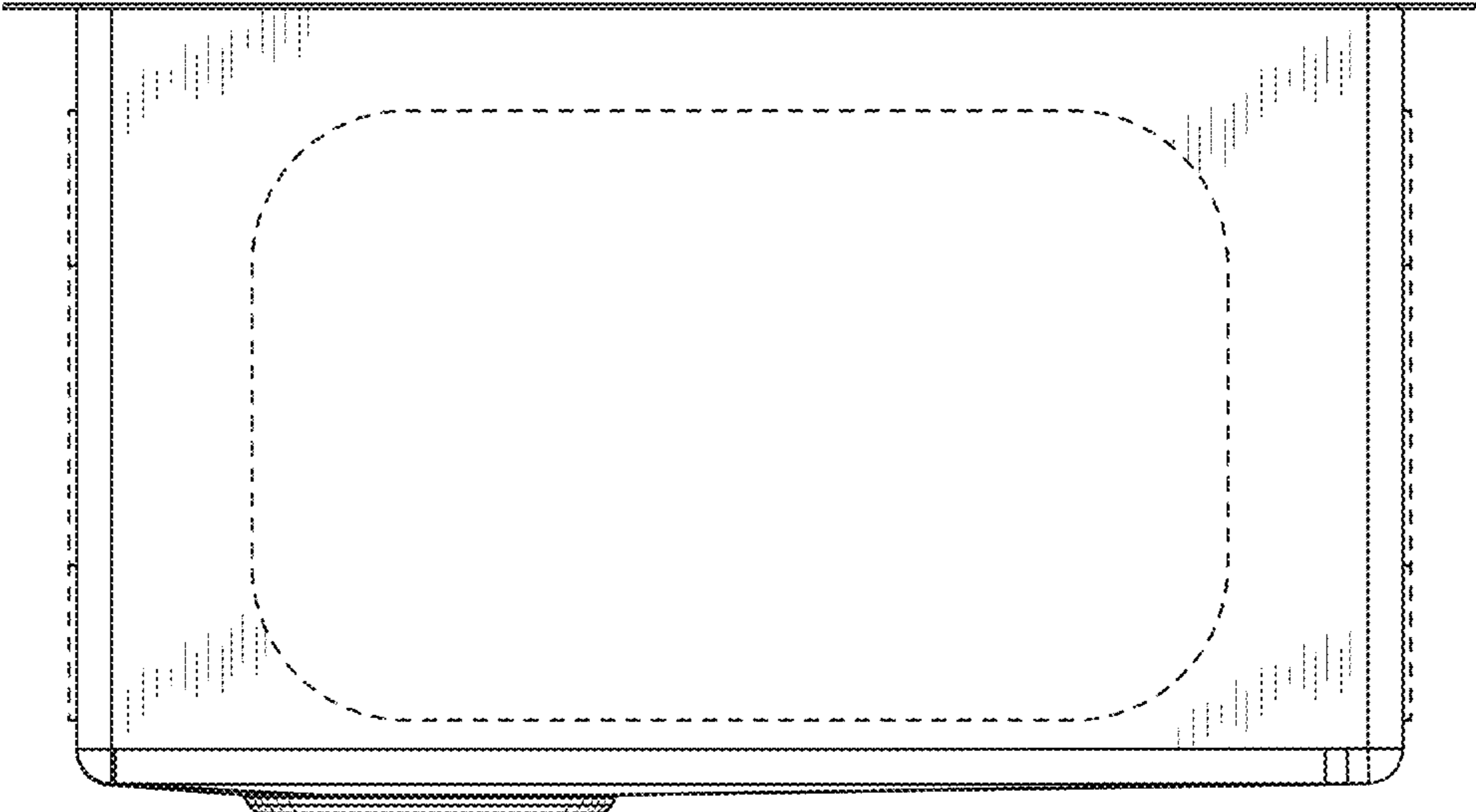


FIG. 5

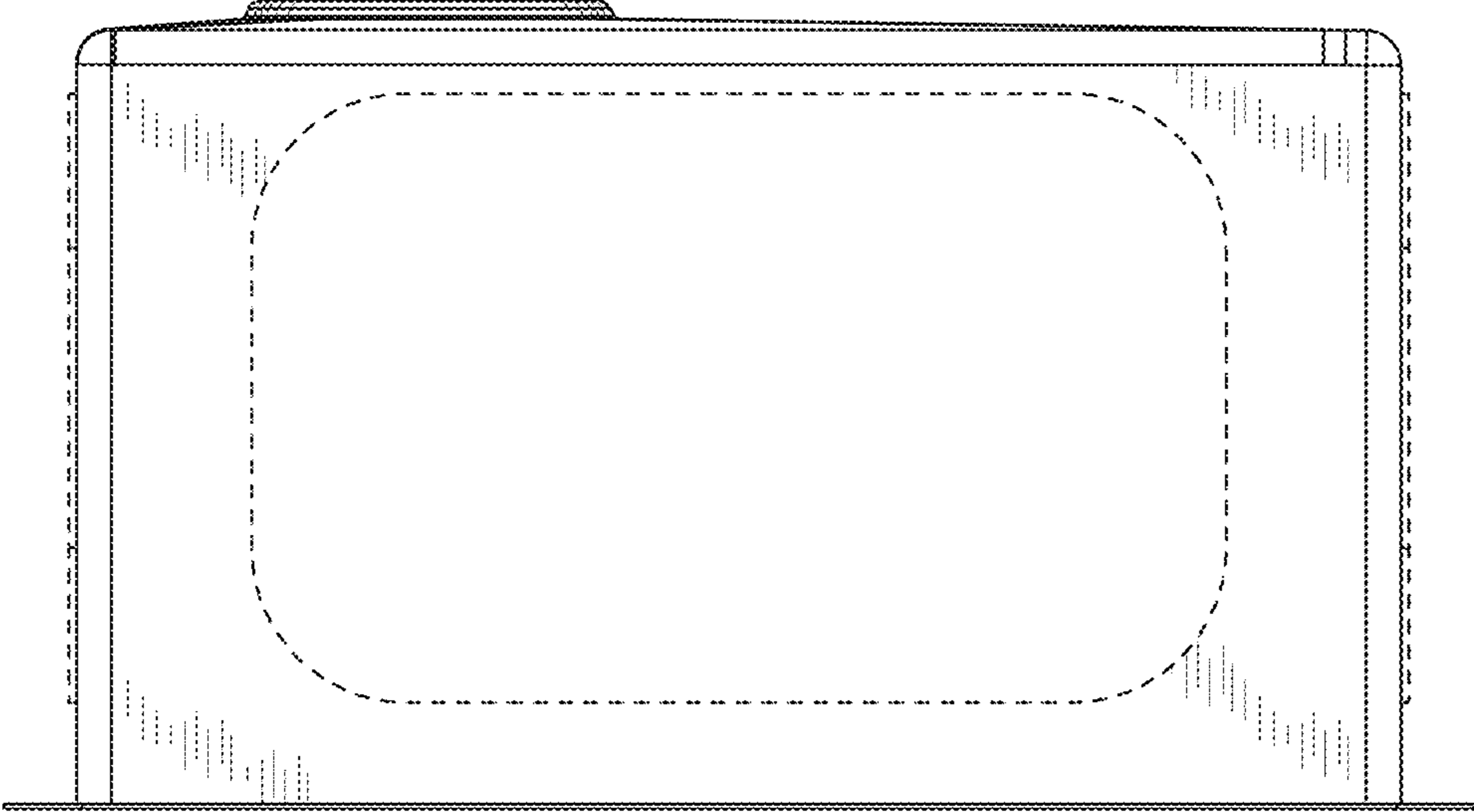


FIG. 6