



US00D945573S

(12) **United States Design Patent** (10) **Patent No.:** **US D945,573 S**
Vaz et al. (45) **Date of Patent:** **** Mar. 8, 2022**

(54) **FEMALE HOSE COUPLING**
(71) Applicant: **TEKNOR APEX COMPANY**,
Pawtucket, RI (US)
(72) Inventors: **David Vaz**, Riverside, RI (US); **Mark Buchan**, Norton, MA (US)
(73) Assignee: **TEKNOR APEX COMPANY**,
Pawtucket, RI (US)
(**) Term: **15 Years**
(21) Appl. No.: **29/754,311**
(22) Filed: **Oct. 9, 2020**
(51) **LOC (13) Cl.** **23-01**
(52) **U.S. Cl.**
USPC **D23/262**
(58) **Field of Classification Search**
USPC D23/259, 262–266, 245, 213, 233, 235;
285/197–200, 249, 389, 305; 137/315.23,
137/798; 138/109–110, 155, 96 T;
D13/133, 151; D8/382, 396–397;
D24/112, 127, 129
CPC F16L 37/252; F16L 43/00; F16L 19/02;
F16L 57/005
See application file for complete search history.

D763,816 S * 8/2016 Hassan D15/144
D779,640 S * 2/2017 Vaz D23/262
D782,623 S * 3/2017 Vaz D23/262
D784,497 S * 4/2017 Vaz D23/262
D785,141 S * 4/2017 Vaz D23/259
D876,592 S * 2/2020 Vaz D23/262

OTHER PUBLICATIONS

TeknorApex Neverkink Heavy Duty Garden Hose; Website copy-
right 2021; Visited Online Dec. 17, 2021; <https://www.apexhose.com/neverkink-heavy-duty-hose> (Year: 2021).
Apex Teknor NeverKink 8642 Extra Heavy Duty Garden Hose;
First Available Date May 23, 2013; Visited Online Dec. 17, 2021;
https://www.amazon.com/Teknor-Apex-NeverKink-8642-75-75-Foot/dp/B00INTILTTC/ref=sr_1_25?keywords=never+kink+hose&qid=1639760271&s=lawn-garden&sr=1-25 (Year: 2013).*

* cited by examiner

Primary Examiner — Amy C Wierenga
(74) *Attorney, Agent, or Firm* — Hudak, Shunk & Farine
Co. LPA

(57) **CLAIM**

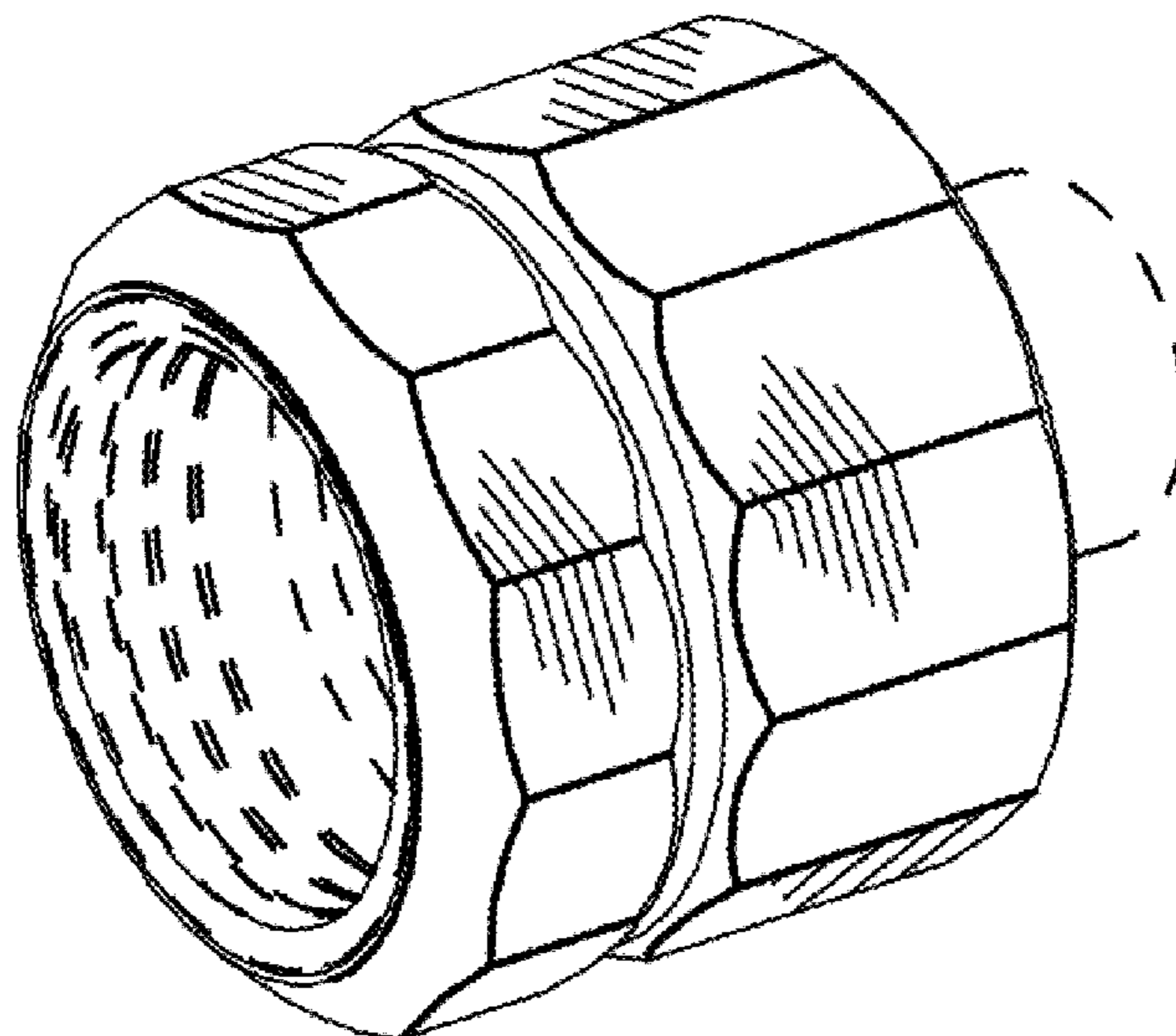
An ornamental design for a female hose coupling, as shown
and described.

DESCRIPTION

FIG. 1 is a front perspective view of a female hose coupling;
FIG. 2 is a side view of the female hose coupling;
FIG. 3 is a front view of the female hose coupling;
FIG. 4 is a rear view of the female hose coupling; and
FIG. 5 is a rear perspective view of the female hose
coupling; and,
FIG. 6 is a partial cross-sectional view taken along line 6-6
of FIG. 2.
The broken lines in the drawings depict portions of the
female hose coupling that form no part of the claimed
design.

1 Claim, 1 Drawing Sheet

(56) **References Cited**
U.S. PATENT DOCUMENTS
2,565,572 A * 8/1951 Pangborn F16L 37/23
285/277
4,541,657 A * 9/1985 Smyth F16L 37/086
285/305
D736,357 S * 8/2015 Melo D23/262
D736,358 S * 8/2015 Melo D23/262
D736,359 S * 8/2015 Melo D23/262
D738,471 S * 9/2015 Melo D23/262
D744,564 S * 12/2015 Hassan D15/144
D757,233 S * 5/2016 Vaz D23/262
D760,363 S * 6/2016 Yang D23/262



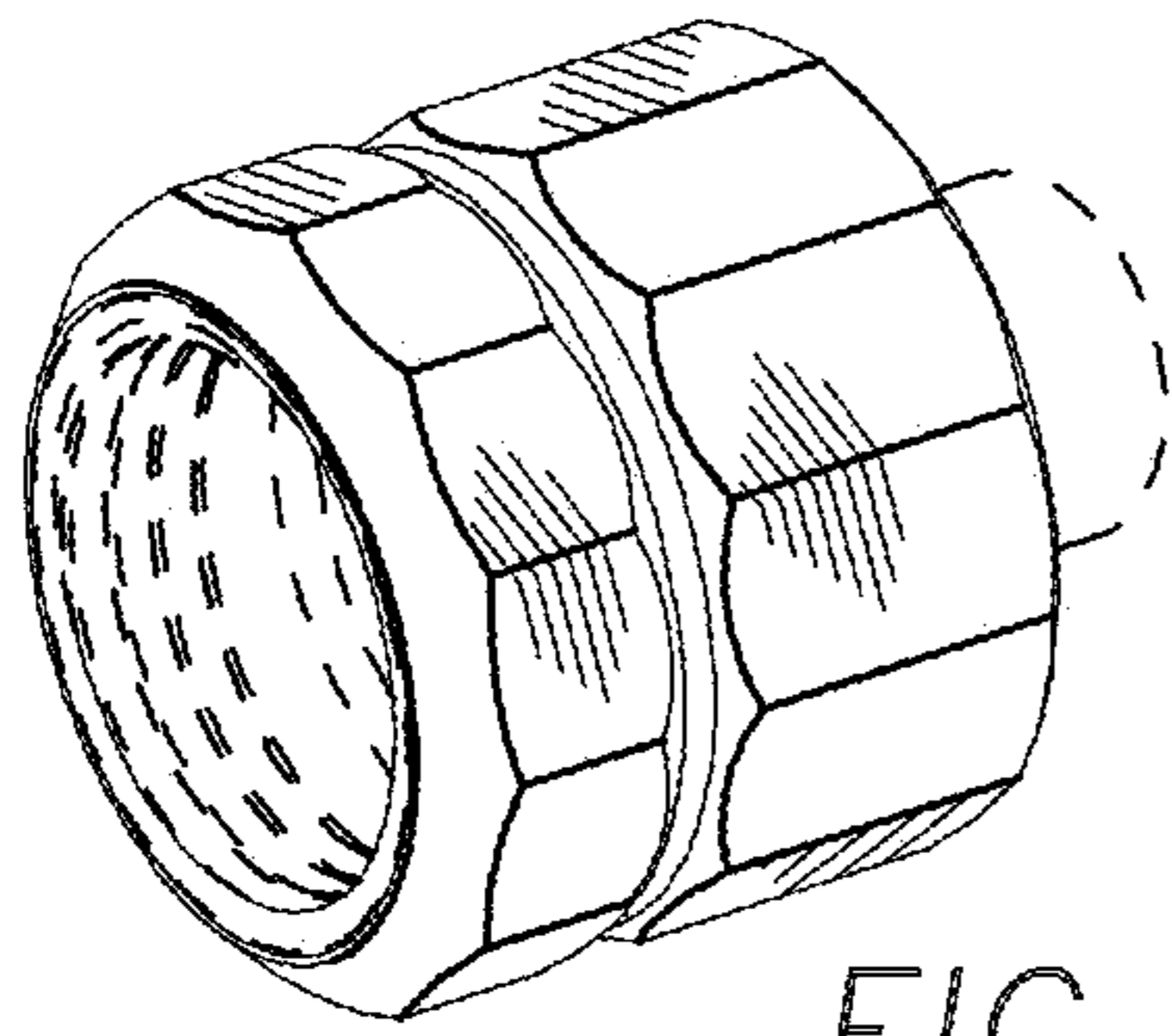


FIG. 1

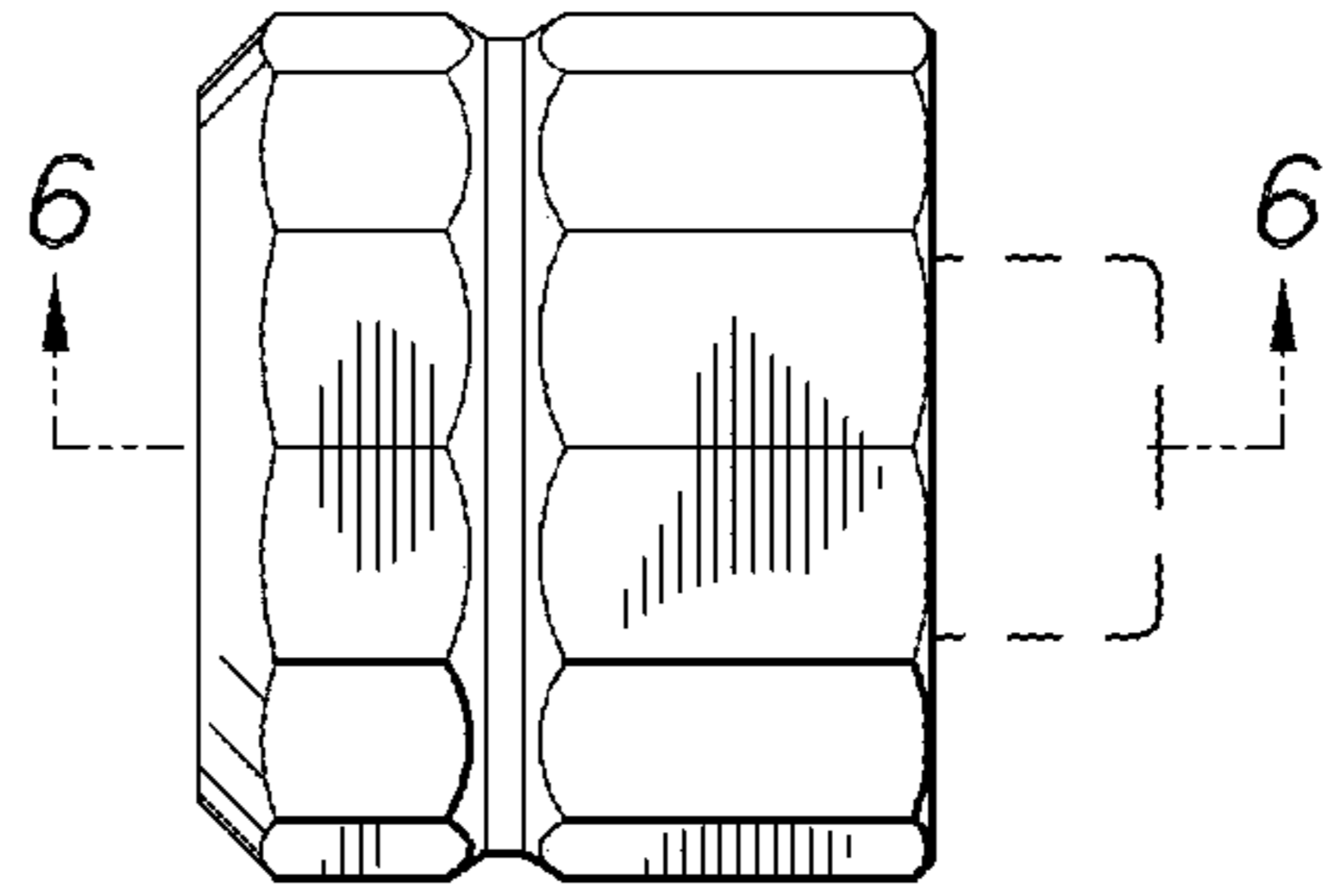


FIG. 2

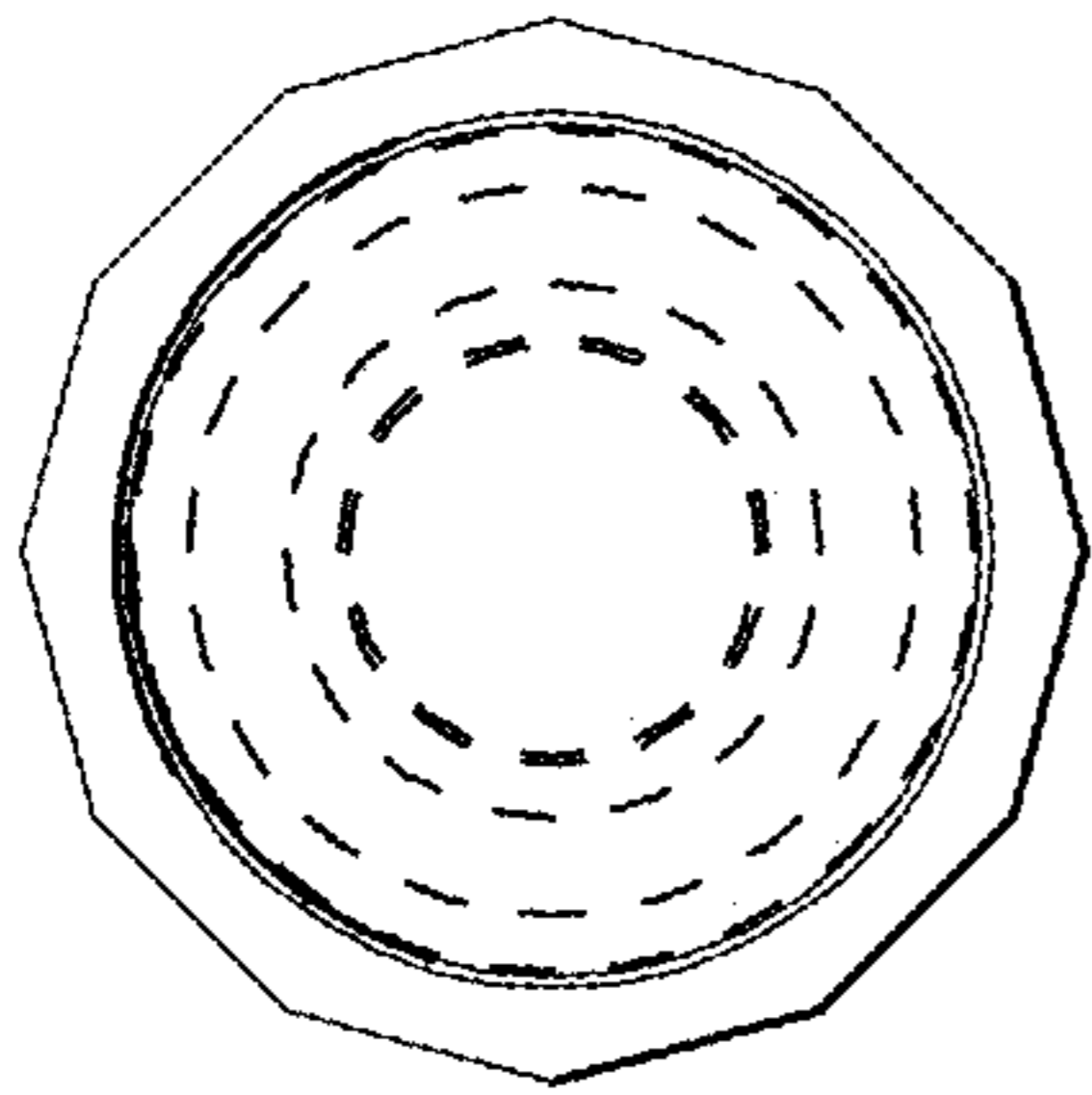


FIG. 3

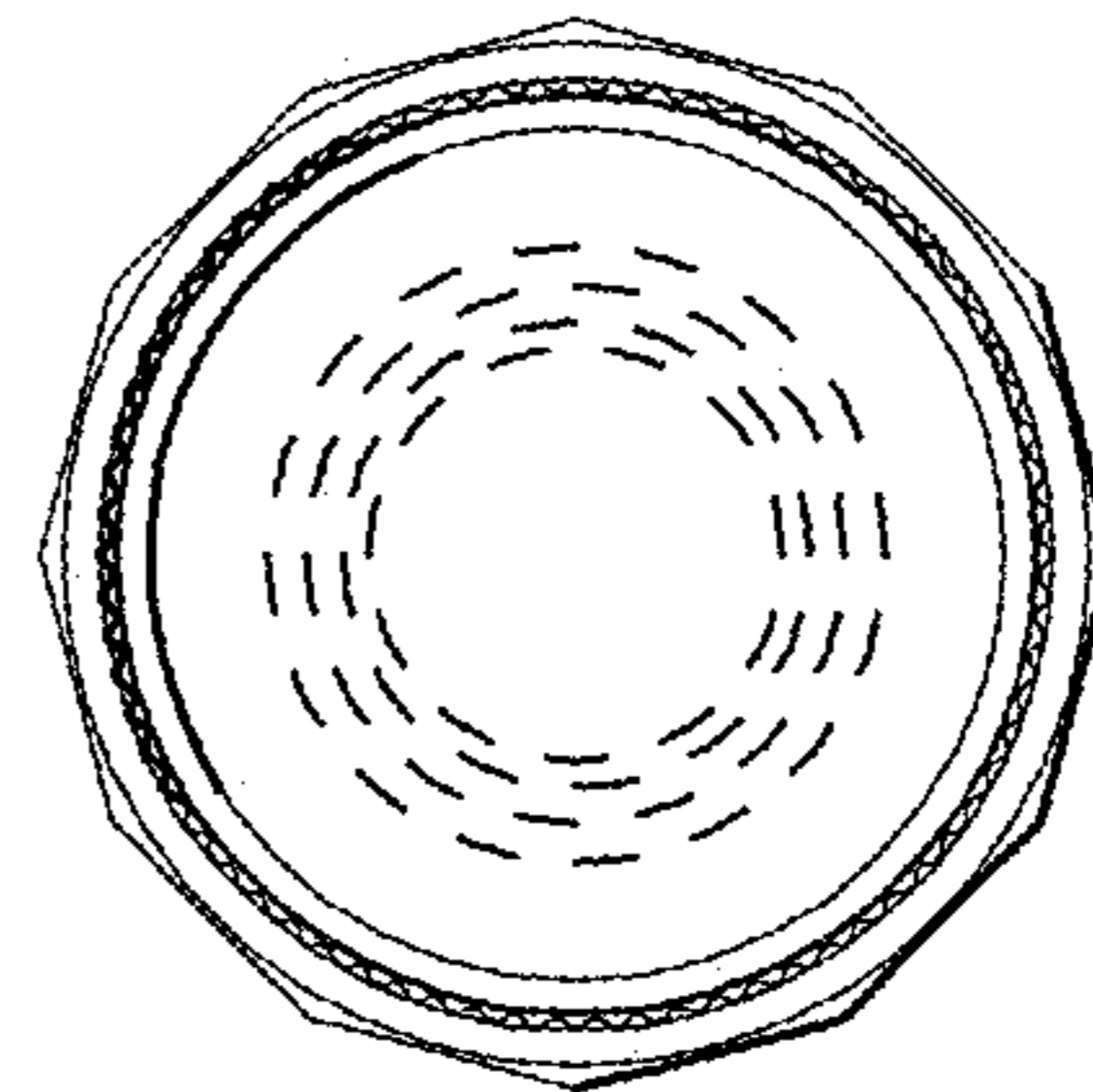


FIG. 4

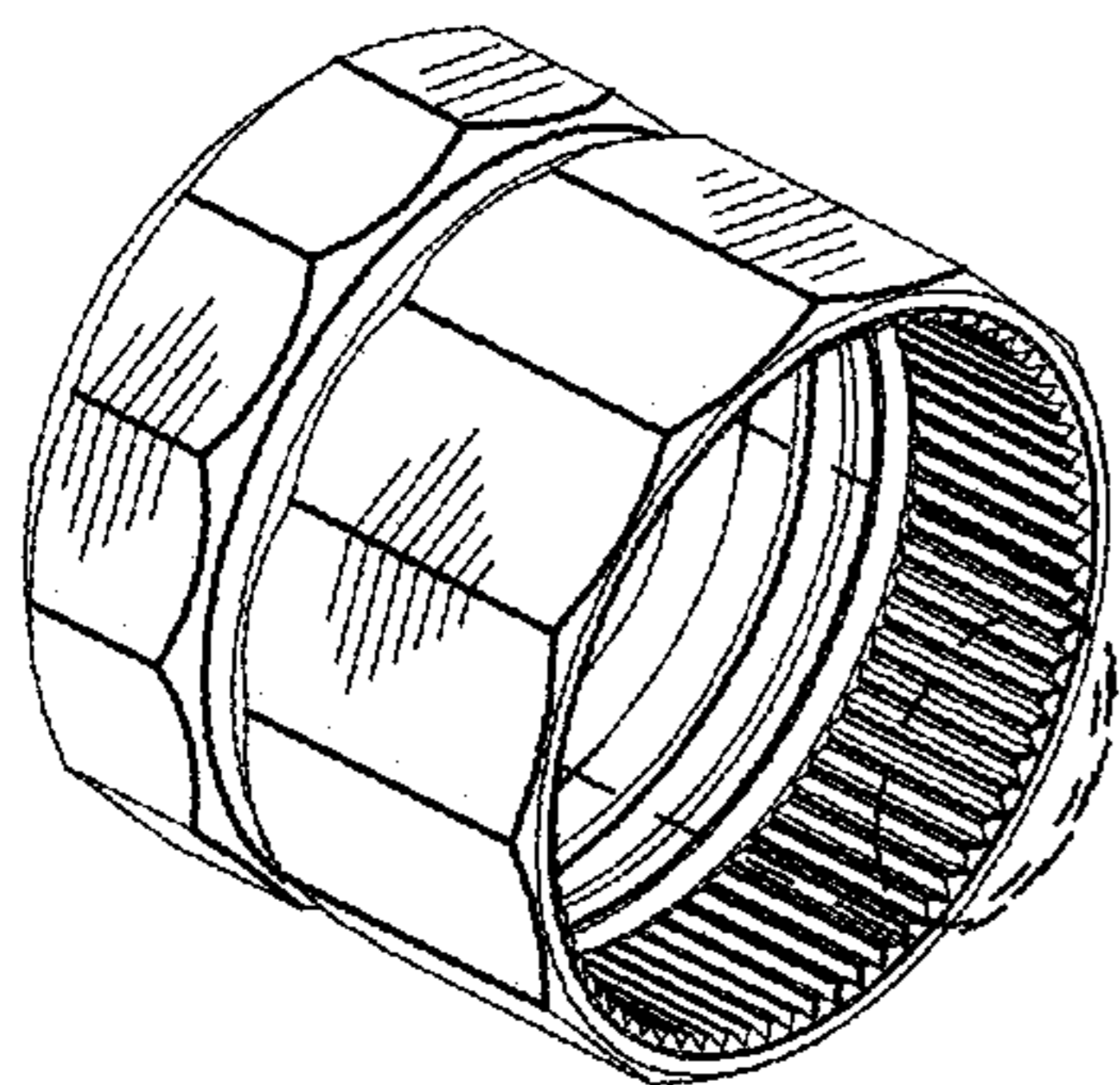


FIG. 5

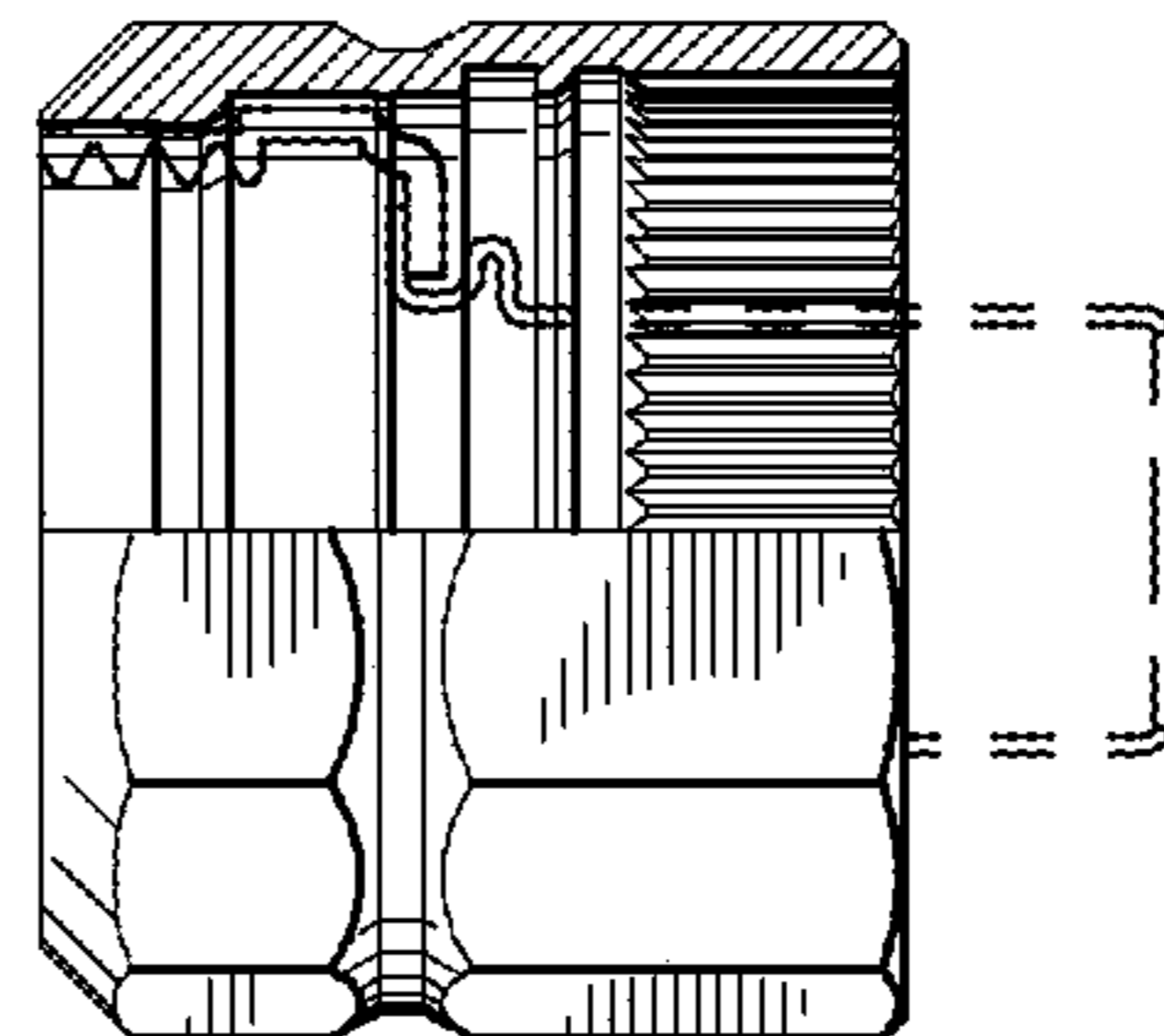


FIG. 6