

US00D945572S

(12) **United States Design Patent**
Downie et al.

(10) **Patent No.:** **US D945,572 S**
(45) **Date of Patent:** **** Mar. 8, 2022**

(54) **CONNECTION ASSEMBLY FOR MAGNETIC FILTER**

(71) Applicant: **Adey Holdings (2008) Limited,**
Stonehouse (GB)

(72) Inventors: **Simon Downie,** Cheltenham (GB);
Kelvin Leung, Cheltenham (GB); **Alan Ferry,** Cheltenham (GB)

(73) Assignee: **ADEY HOLDINGS (2008) LIMITED,**
Stonehouse (GB)

(**) Term: **15 Years**

(21) Appl. No.: **29/715,251**

(22) Filed: **Nov. 29, 2019**

(30) **Foreign Application Priority Data**

May 30, 2019 (GB) 6062163

(51) **LOC (13) Cl.** **23-01**

(52) **U.S. Cl.**
USPC **D23/262; D23/209**

(58) **Field of Classification Search**
USPC D23/200, 206–209, 233–237, 259,
D23/322–323, 213, 230–232, 245, 365,
D23/262–263, 266, 268, 265;
210/222–223; 209/39; D13/147;
138/26, 30; 285/9.1, 129.1, 133.11,
285/207.5, 208, 210, 213
CPC ... F28F 23/02; F28F 2250/08; F16L 2201/30;
F16L 25/00; F16L 55/04; F16K 51/36;
F16K 1/42; F16K 7/17; B01D 27/08;
B01D 24/10; B01D 33/50; B05B 1/18;
C02F 1/003; E03C 1/02

See application file for complete search history.

(56) **References Cited**

U.S. PATENT DOCUMENTS

2,317,774 A * 4/1943 Aninga B03C 1/28
210/222
D291,230 S * 8/1987 Kunz D23/245

D319,287 S * 8/1991 Baumstark D23/207
D622,347 S * 8/2010 Adey D23/207
D776,786 S * 1/2017 Okazaki D23/209
D793,523 S * 8/2017 Adey B01D 21/0009
D23/209
D806,206 S * 12/2017 Konagayoshi D23/207
D835,752 S * 12/2018 Spiegel D23/209
D849,195 S * 5/2019 Matsushita D23/233
2003/0116495 A1 * 6/2003 Chau C02F 1/003
210/264
2011/0203985 A1 * 8/2011 Reid B01D 35/301
210/236

(Continued)

Primary Examiner — Amy C Wierenga

(74) *Attorney, Agent, or Firm* — Jacob M. Ward; Ward
Law Office LLC

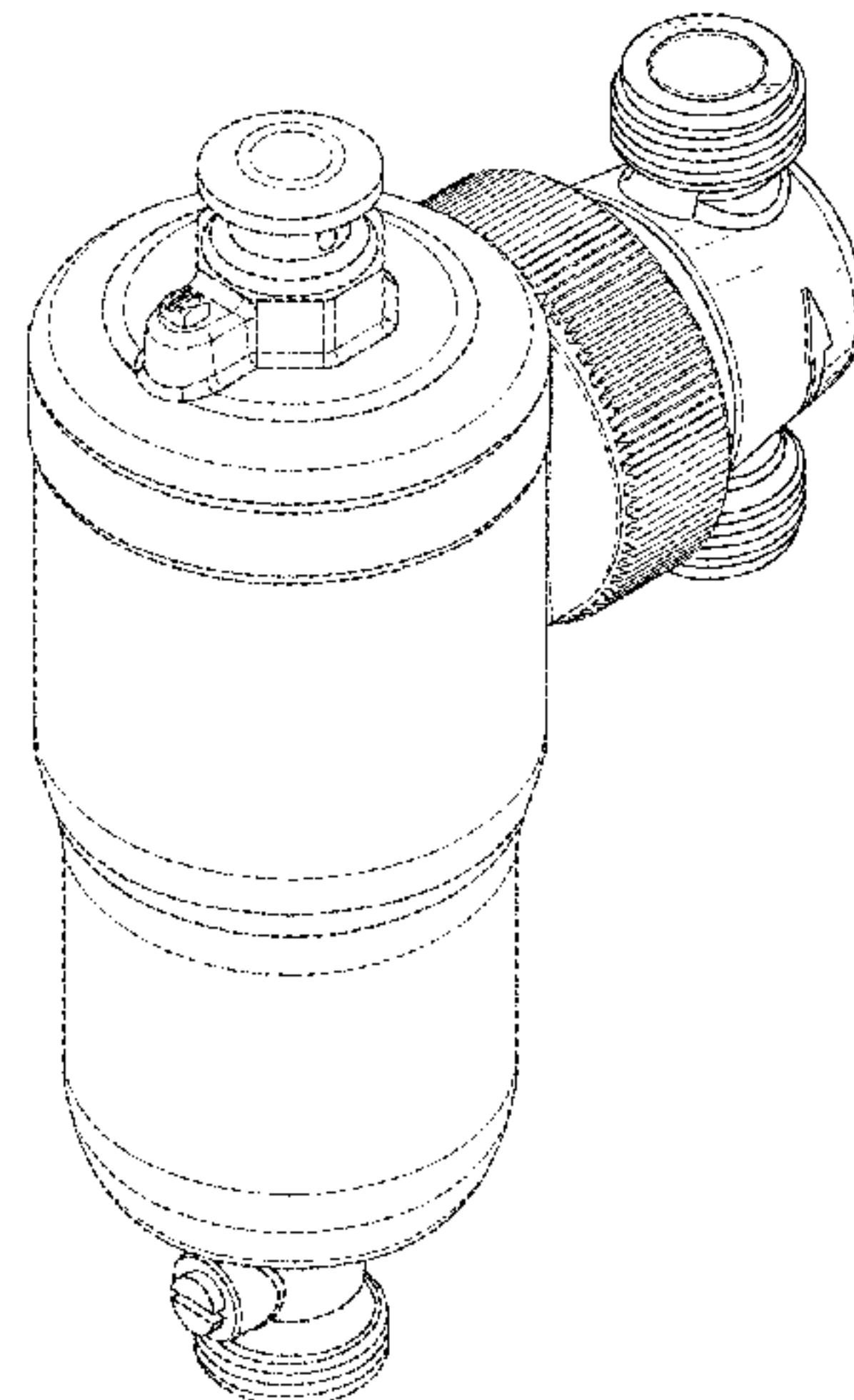
(57) **CLAIM**

The ornamental design for a connection assembly for magnetic filter, as shown and described.

DESCRIPTION

FIG. 1 is a top perspective view of a connection assembly for a magnetic filter;
FIG. 2 is a bottom perspective view of the magnetic filter shown in FIG. 1;
FIG. 3 is a right side elevational view thereof;
FIG. 4 is a left side elevational view thereof;
FIG. 5 is a rear elevational view thereof;
FIG. 6 is a front elevational view thereof;
FIG. 7 is a top plan view thereof; and,
FIG. 8 is a bottom plan view thereof.
The broken lines in the drawings depict portions of the connection assembly for magnetic filter that form no part of the claimed design. The dot dash dot broken lines in FIGS. 1-2, 5, and 7-8 depict the boundaries of the claim and form no part thereof.

1 Claim, 8 Drawing Sheets



(56)

References Cited

U.S. PATENT DOCUMENTS

2014/0367340 A1* 12/2014 Caleffi B01D 35/06
210/695
2017/0043354 A1* 2/2017 Adey B01D 21/2483
2021/0260509 A1* 8/2021 Bertolotti B01D 35/06

* cited by examiner

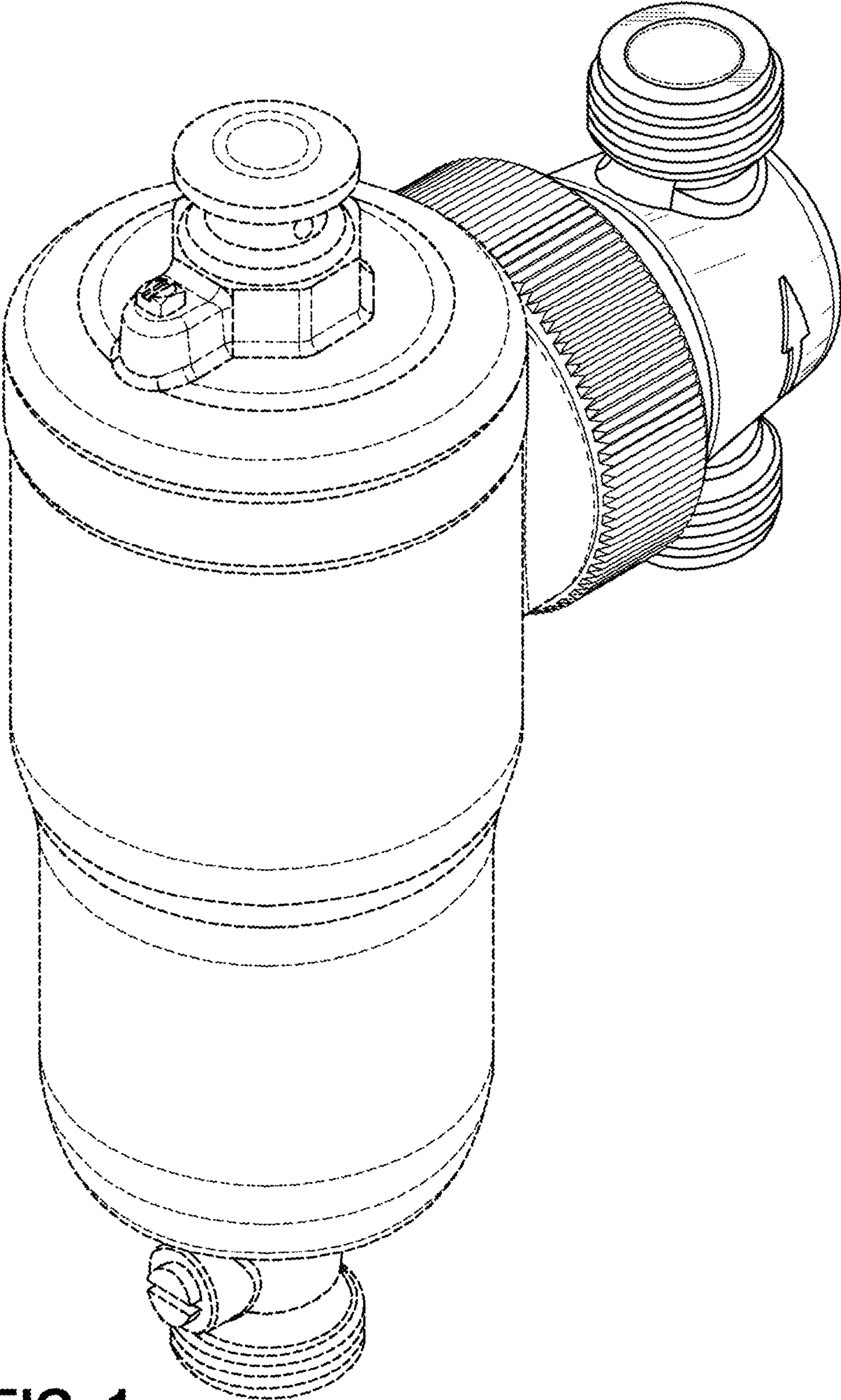


FIG. 1

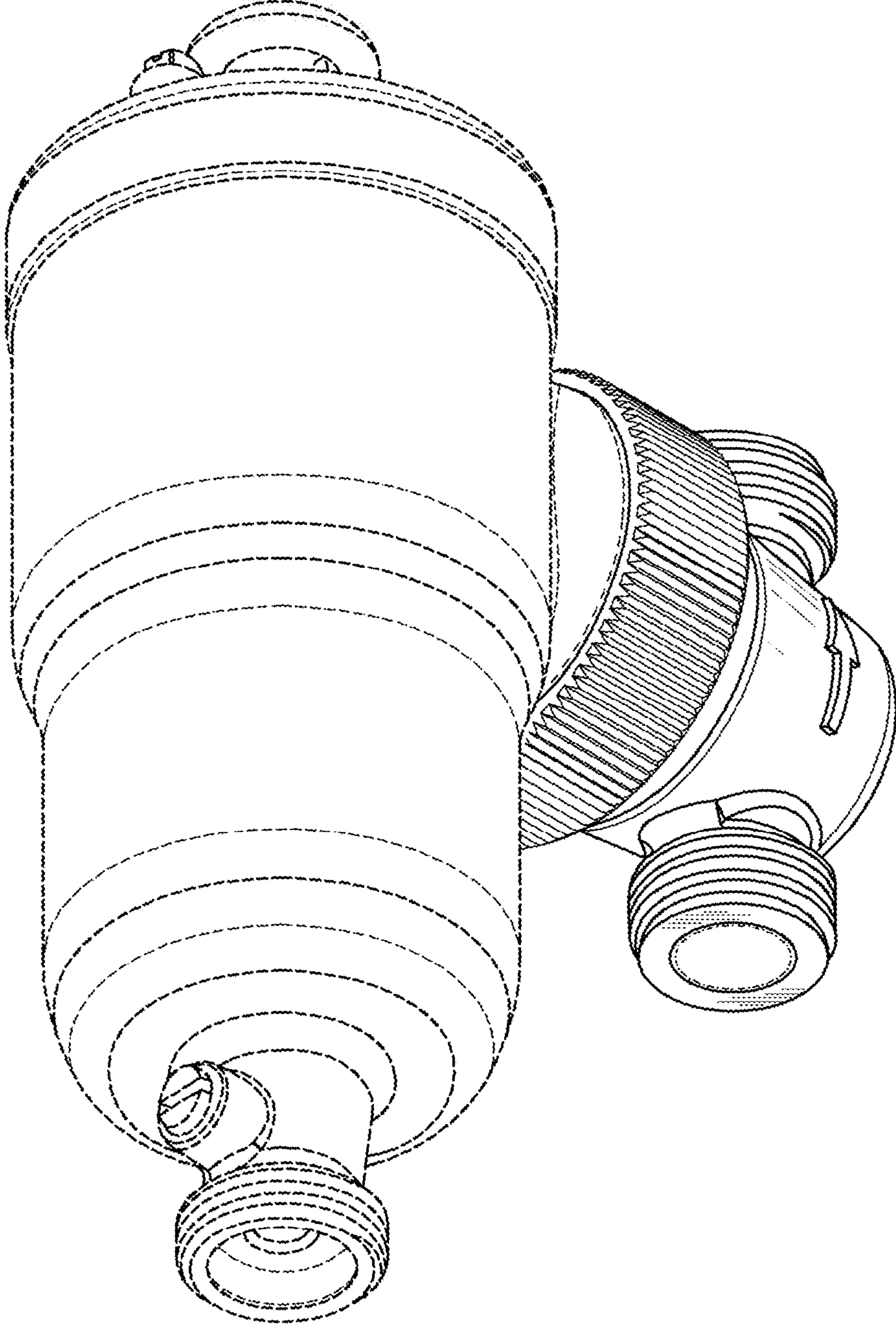


FIG. 2

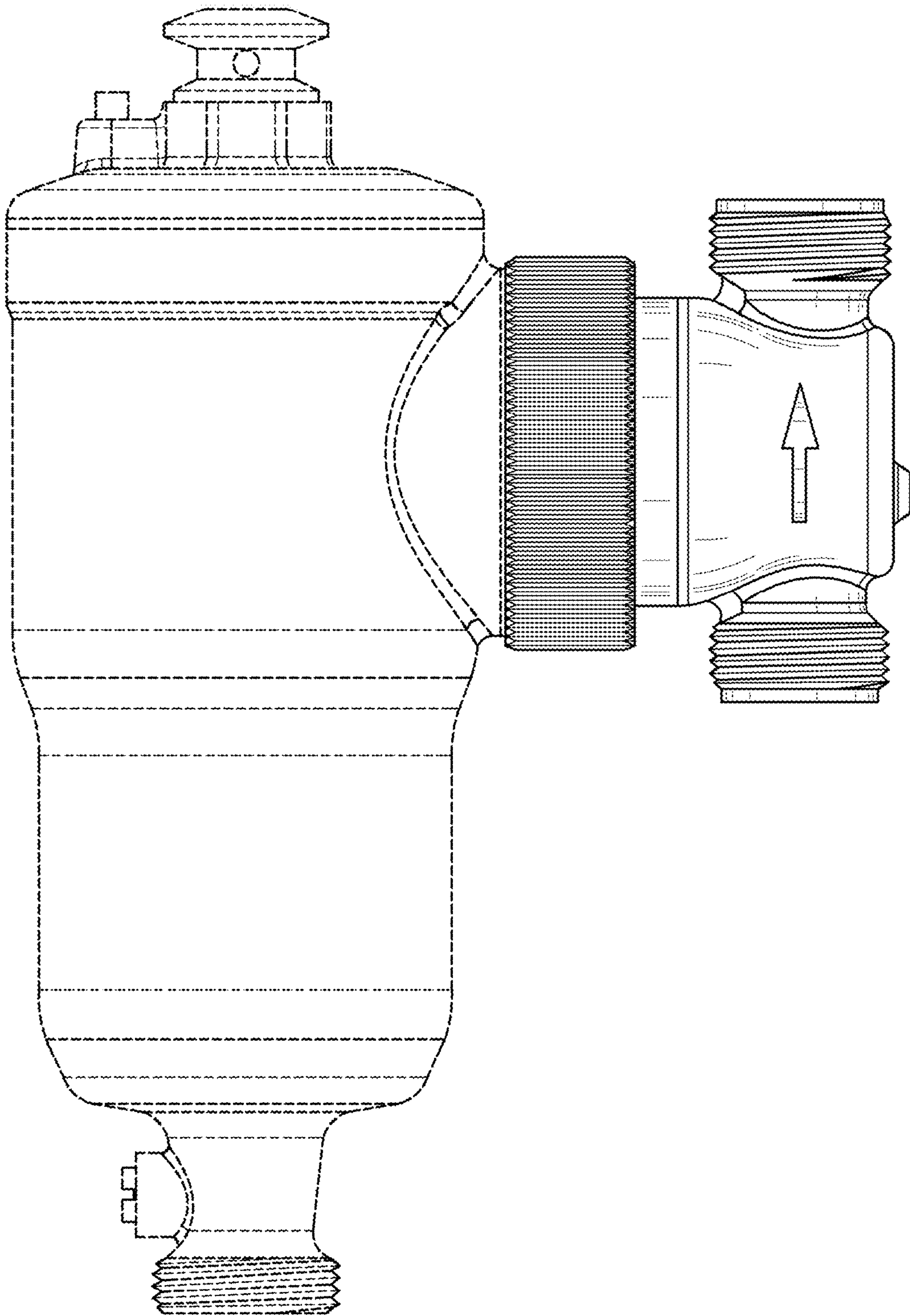


FIG. 3

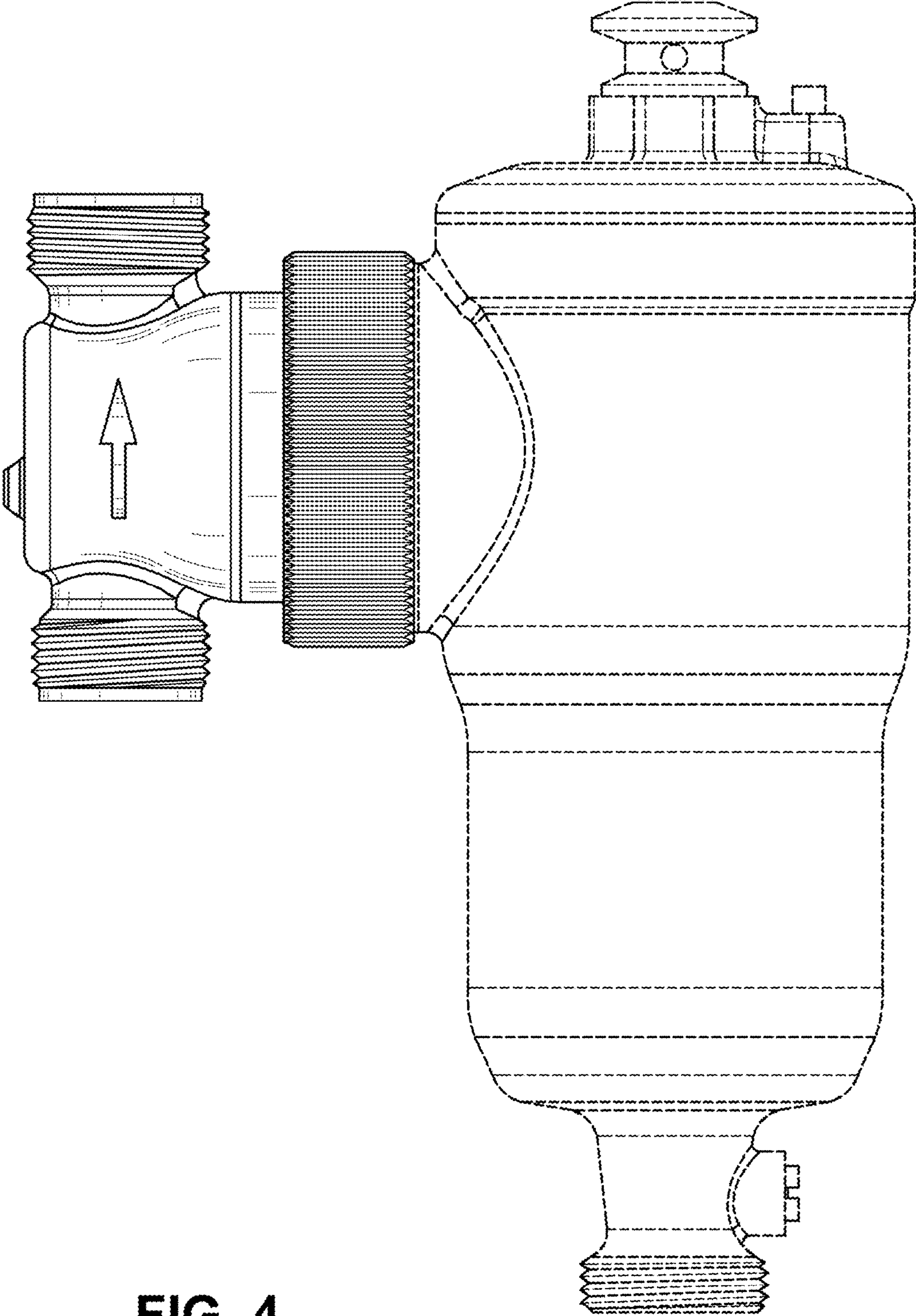


FIG. 4

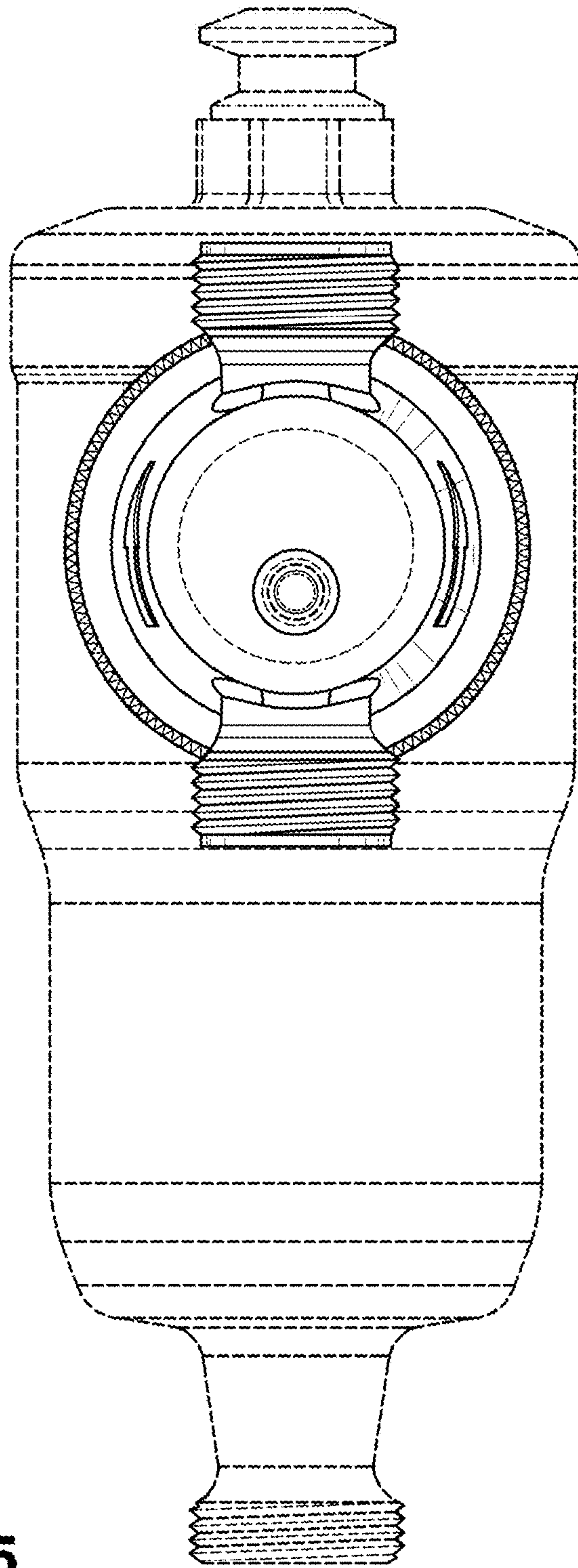


FIG. 5

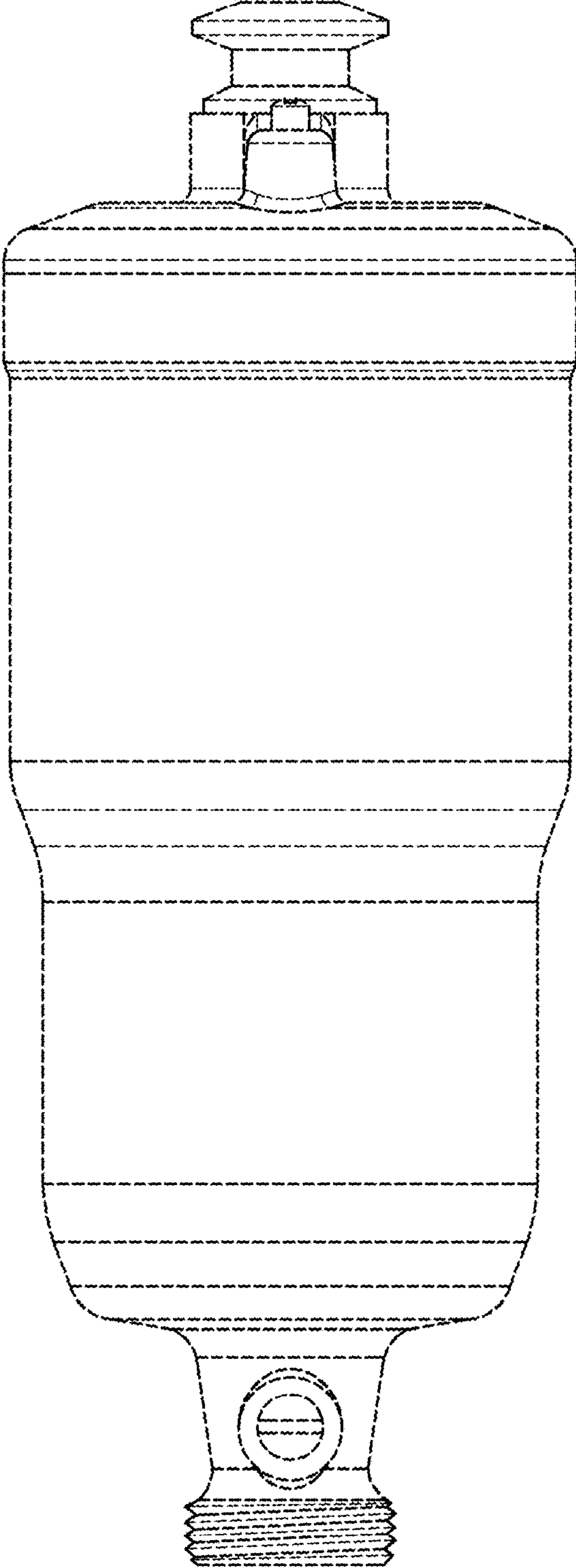


FIG. 6

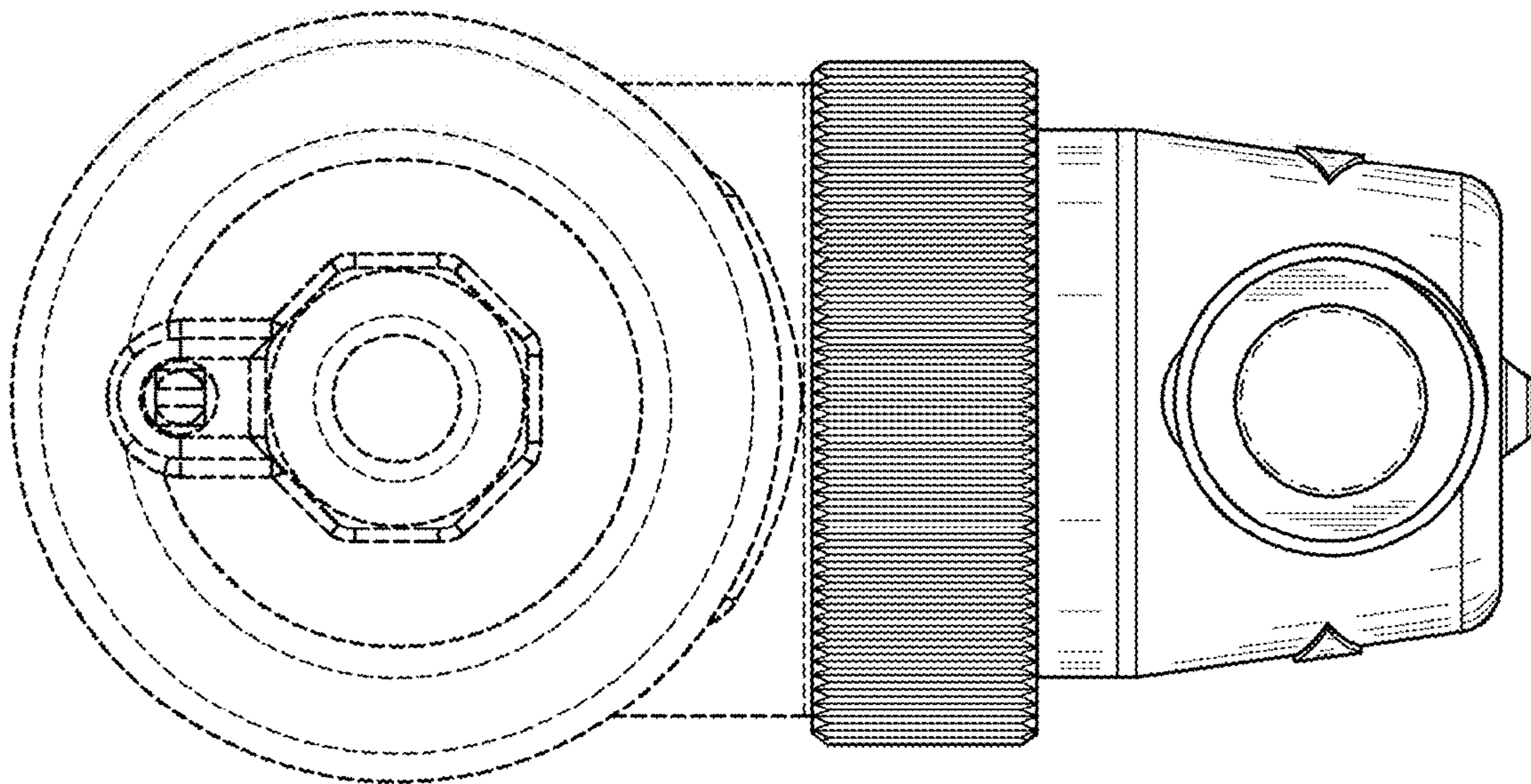


FIG. 7

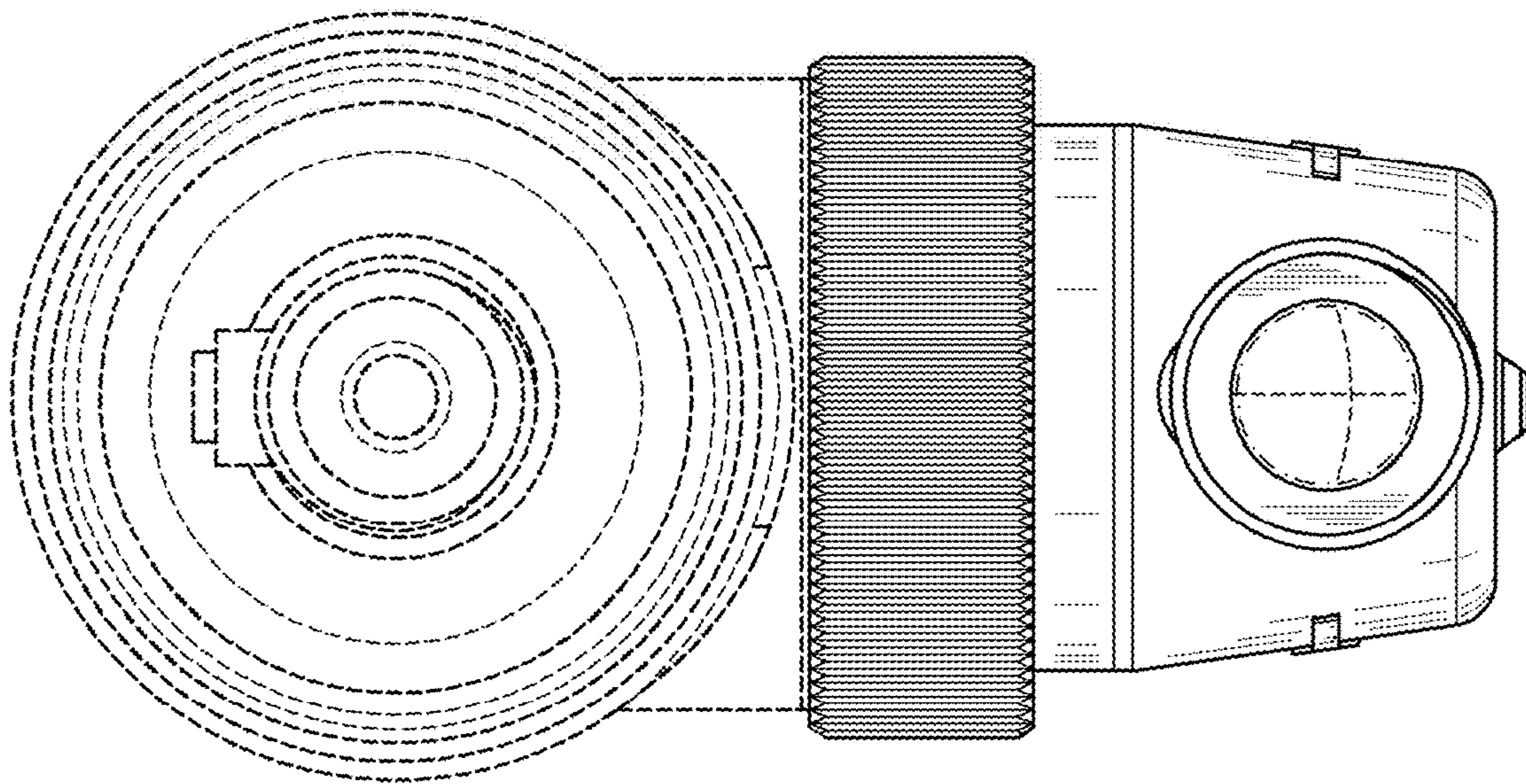


FIG. 8