



US00D945570S

(12) **United States Design Patent**
Ando et al.

(10) **Patent No.:** **US D945,570 S**
(45) **Date of Patent:** **** Mar. 8, 2022**

- (54) **FAUCET**
- (71) Applicant: **LIXIL Corporation**, Tokyo (JP)
- (72) Inventors: **Yoshihiko Ando**, Tokyo (JP);
Youichirou Tomioka, Tokyo (JP);
Touichirou Matsuura, Tokyo (JP)
- (73) Assignee: **LIXIL Corporation**, Tokyo (JP)
- (**) Term: **15 Years**
- (21) Appl. No.: **29/699,753**
- (22) Filed: **Jul. 29, 2019**
- (30) **Foreign Application Priority Data**
Jan. 31, 2019 (JP) 2019-001789
- (51) **LOC (13) Cl.** **23-01**
- (52) **U.S. Cl.**
USPC **D23/254**
- (58) **Field of Classification Search**
USPC D23/238–243, 250, 524, 213;
D8/307–308, 353; D6/524, 574
See application file for complete search history.

- (56) **References Cited**
U.S. PATENT DOCUMENTS
D579,519 S * 10/2008 Sieger D23/238
D617,877 S * 6/2010 Bouroullec D23/238

- D677,365 S * 3/2013 Schoenherr D23/238
- 9,297,151 B2 * 3/2016 Blessing E03C 1/0408
- D761,388 S * 7/2016 Schoenherr D23/250
- D813,993 S * 3/2018 Schoenherr D23/254
- D820,413 S * 6/2018 Seum D23/254
- D833,579 S * 11/2018 Flowers D23/250
- D898,871 S * 10/2020 Massaud D23/239
- D903,050 S * 11/2020 Ando D23/213
- 10,844,580 B2 * 11/2020 Tsuruda E03C 1/04
- 2020/0354231 A1 * 11/2020 Ota E03C 1/06

* cited by examiner

Primary Examiner — Robert A Delehanty

(74) *Attorney, Agent, or Firm* — Sughrue Mion, PLLC

(57) **CLAIM**

The ornamental design for a faucet, as shown and described.

DESCRIPTION

FIG. 1 is a perspective view of a faucet.
FIG. 2 is a top plan view thereof.
FIG. 3 is a bottom plan view thereof.
FIG. 4 is a front elevation view thereof.
FIG. 5 is a right side elevation view thereof; and,
FIG. 6 is a left side elevation view thereof.

1 Claim, 6 Drawing Sheets

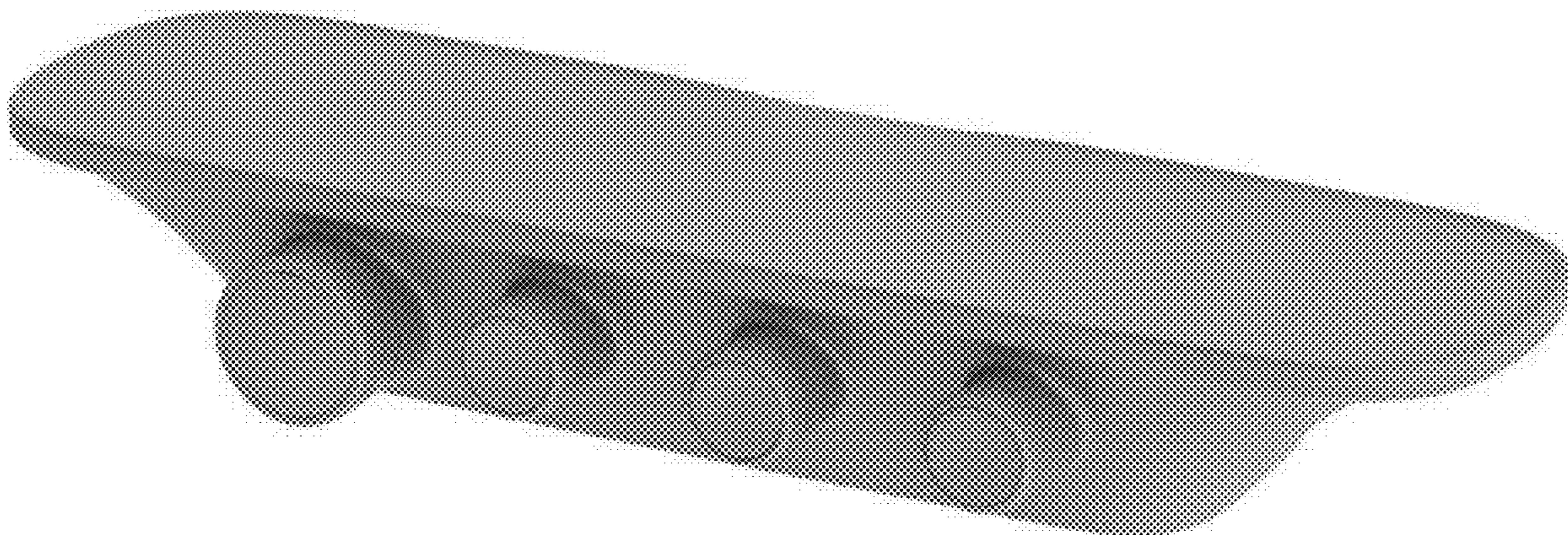


FIG. 1

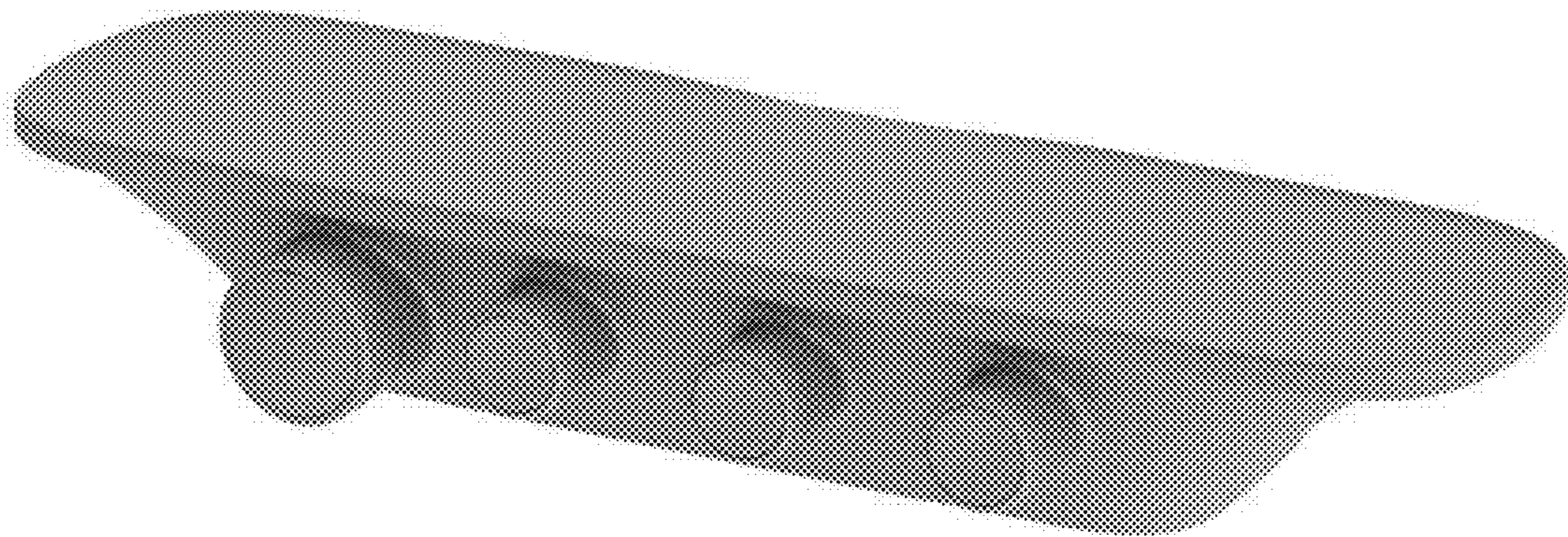


FIG. 2

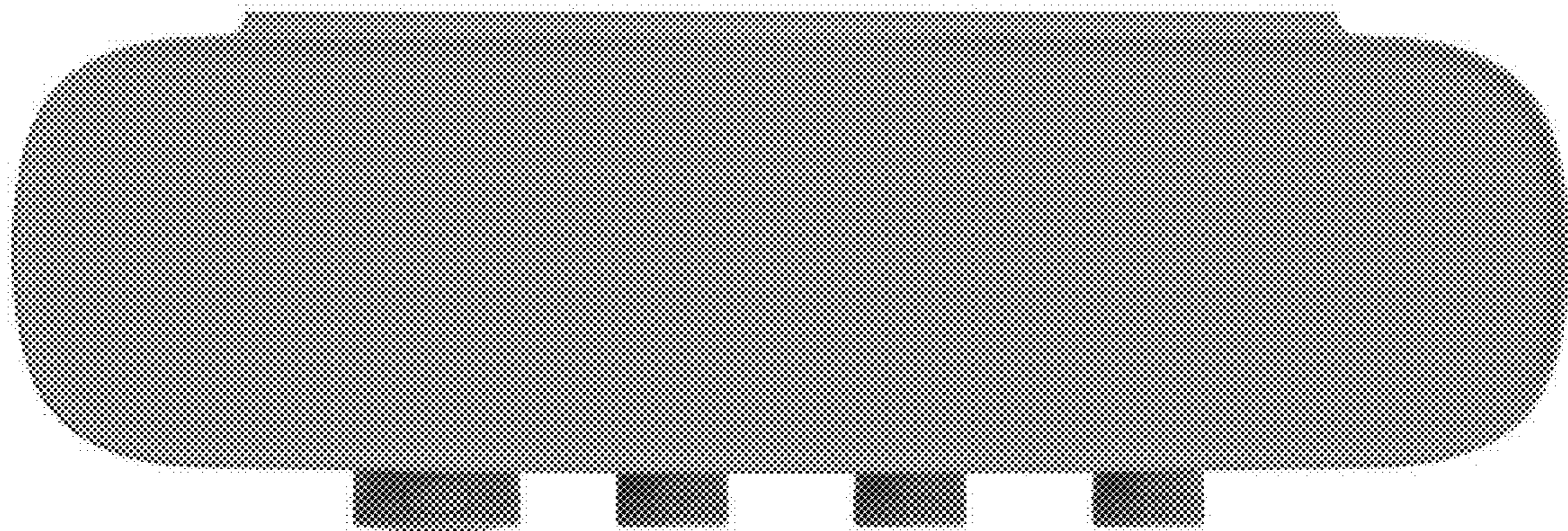


FIG. 3

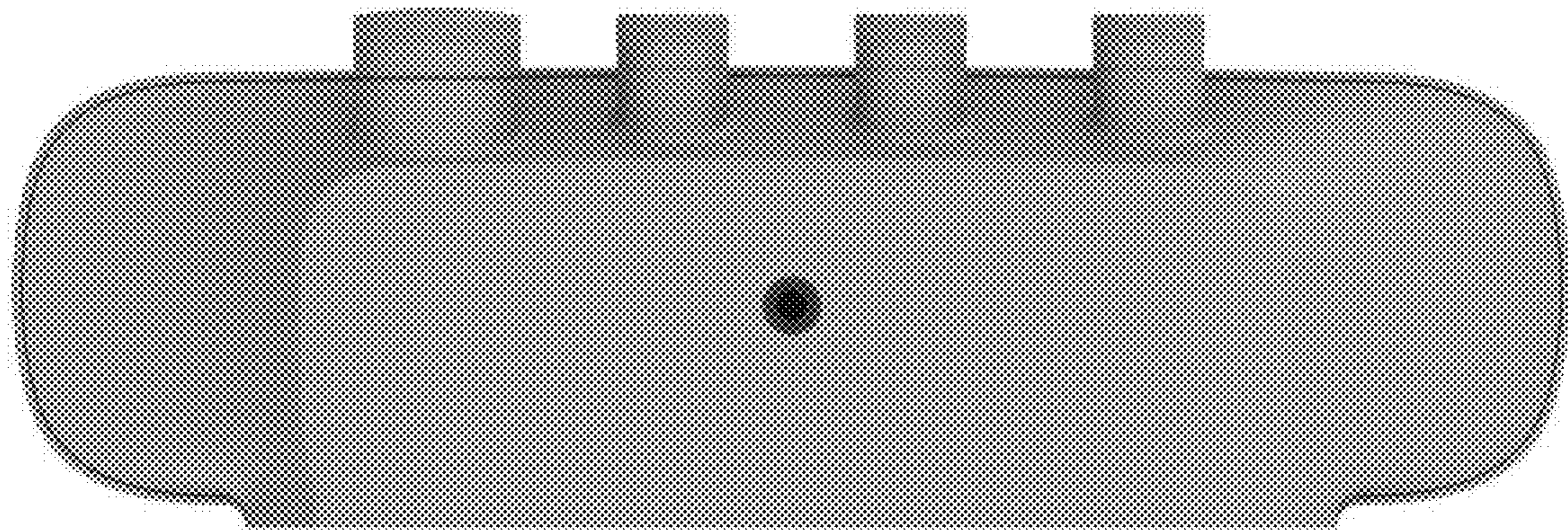


FIG. 4

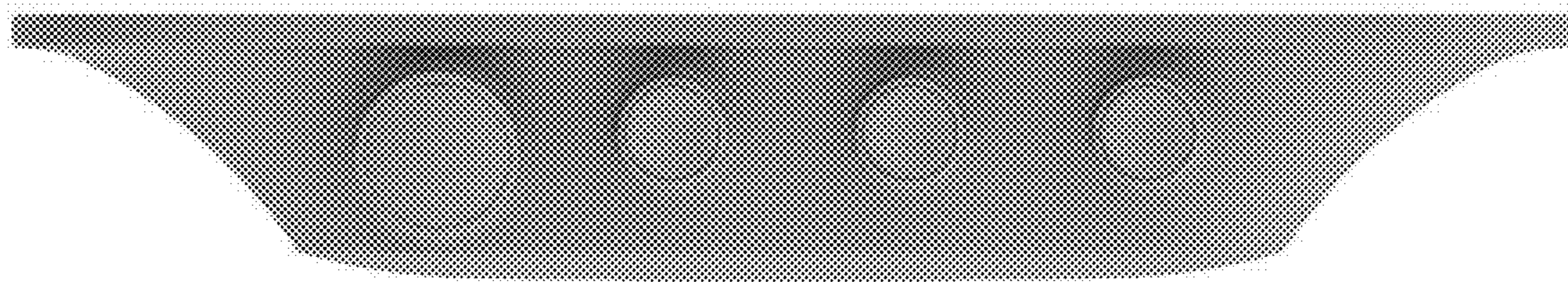


FIG. 5

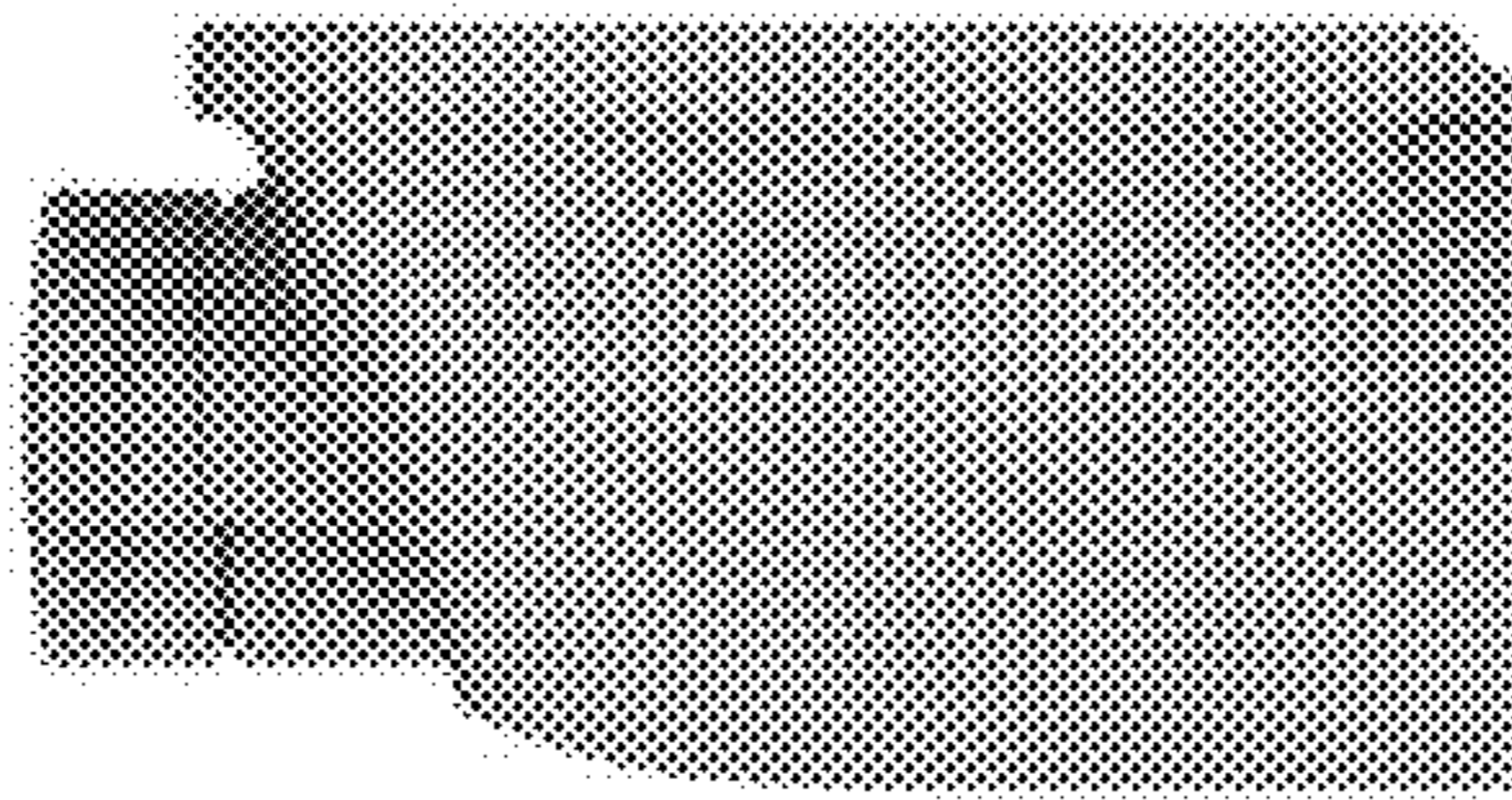


FIG. 6

