



US00D945569S

(12) **United States Design Patent**
Reinecker et al.

(10) **Patent No.:** **US D945,569 S**

(45) **Date of Patent:** **** Mar. 8, 2022**

(54) **SHOWER CONTROLLER**

(71) Applicant: **AS America, Inc.**, Piscataway, NJ (US)

(72) Inventors: **Greg Reinecker**, Brooklyn, NY (US);
Soonjae Kwon, Astoria, NY (US)

(73) Assignee: **AS America, Inc.**, Piscataway, NJ (US)

(**) Term: **15 Years**

(21) Appl. No.: **29/699,150**

(22) Filed: **Jul. 23, 2019**

(51) **LOC (13) Cl.** **23-01**

(52) **U.S. Cl.**
USPC **D23/254**

(58) **Field of Classification Search**
USPC D23/254, 250, 249, 252, 245, 30, 253
CPC E03C 1/021; E03C 1/055; F16K 5/10
See application file for complete search history.

(56) **References Cited**

U.S. PATENT DOCUMENTS

7,819,134 B2 * 10/2010 Izzy E03C 1/021
137/606
D726,883 S * 4/2015 Flowers D23/254

D863,511 S * 10/2019 Meyers D23/254
D876,585 S * 2/2020 Li D23/233
D891,583 S * 7/2020 Li D23/233
D919,055 S * 5/2021 Li D23/245
D925,017 S * 7/2021 Liu D23/304
D935,003 S * 11/2021 Soulier D23/254

* cited by examiner

Primary Examiner — Gino Colan

(74) *Attorney, Agent, or Firm* — Tyler A. Stevenson;
Anna-lisa L. Gallo

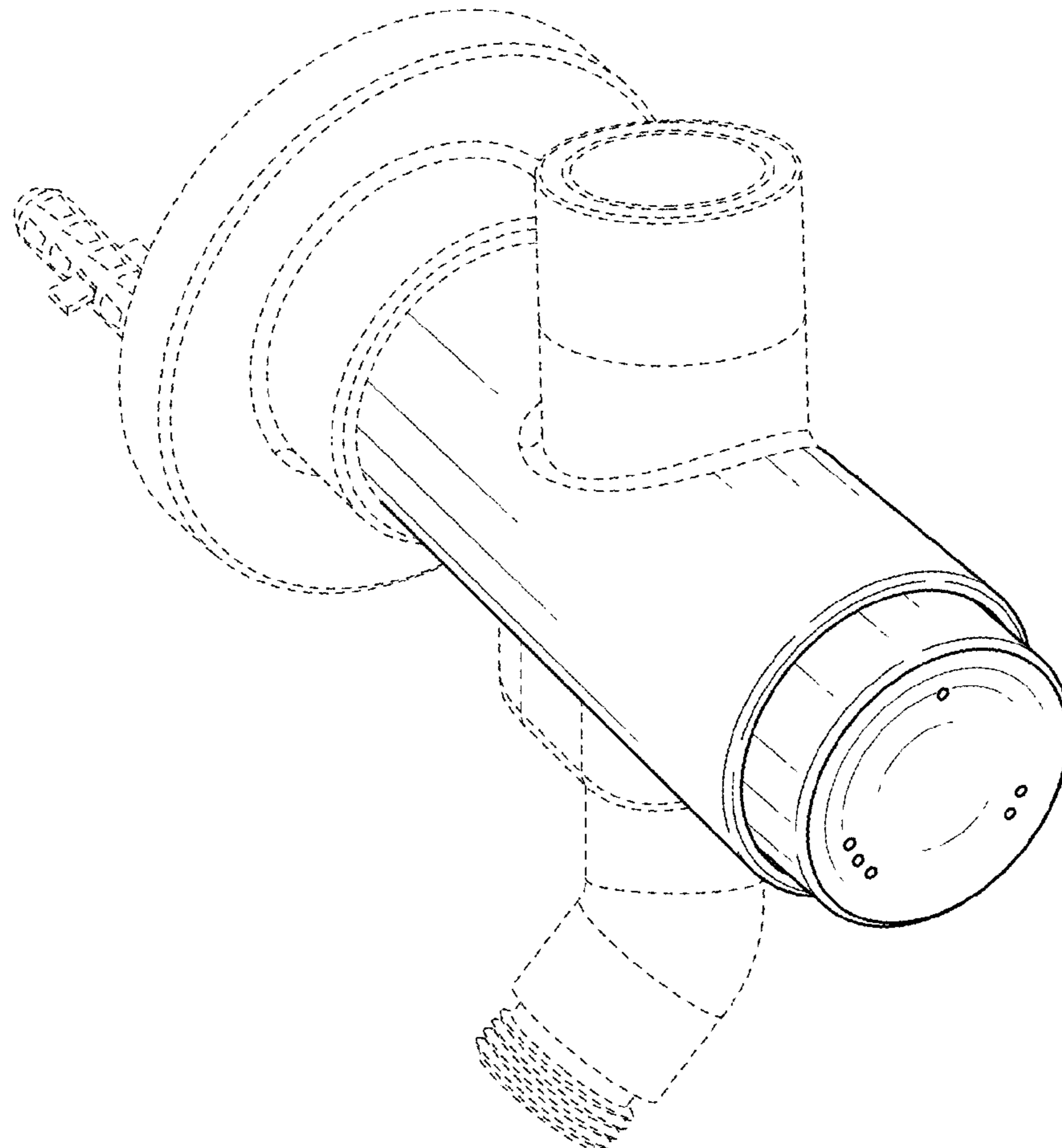
(57) **CLAIM**

We claim the ornamental design for a shower controller, as shown and described.

DESCRIPTION

FIG. 1 is a top, front, left side perspective view of a shower controller showing our new design;
FIG. 2 is a front view thereof;
FIG. 3 is a rear view thereof;
FIG. 4 is a left side view thereof;
FIG. 5 is a right side view thereof;
FIG. 6 is a top view thereof;
FIG. 7 is a bottom view thereof; and,
FIG. 8 is a top, front, right side perspective view thereof.
The broken lines depict portions of the shower controller that form no part of the claimed design.

1 Claim, 5 Drawing Sheets



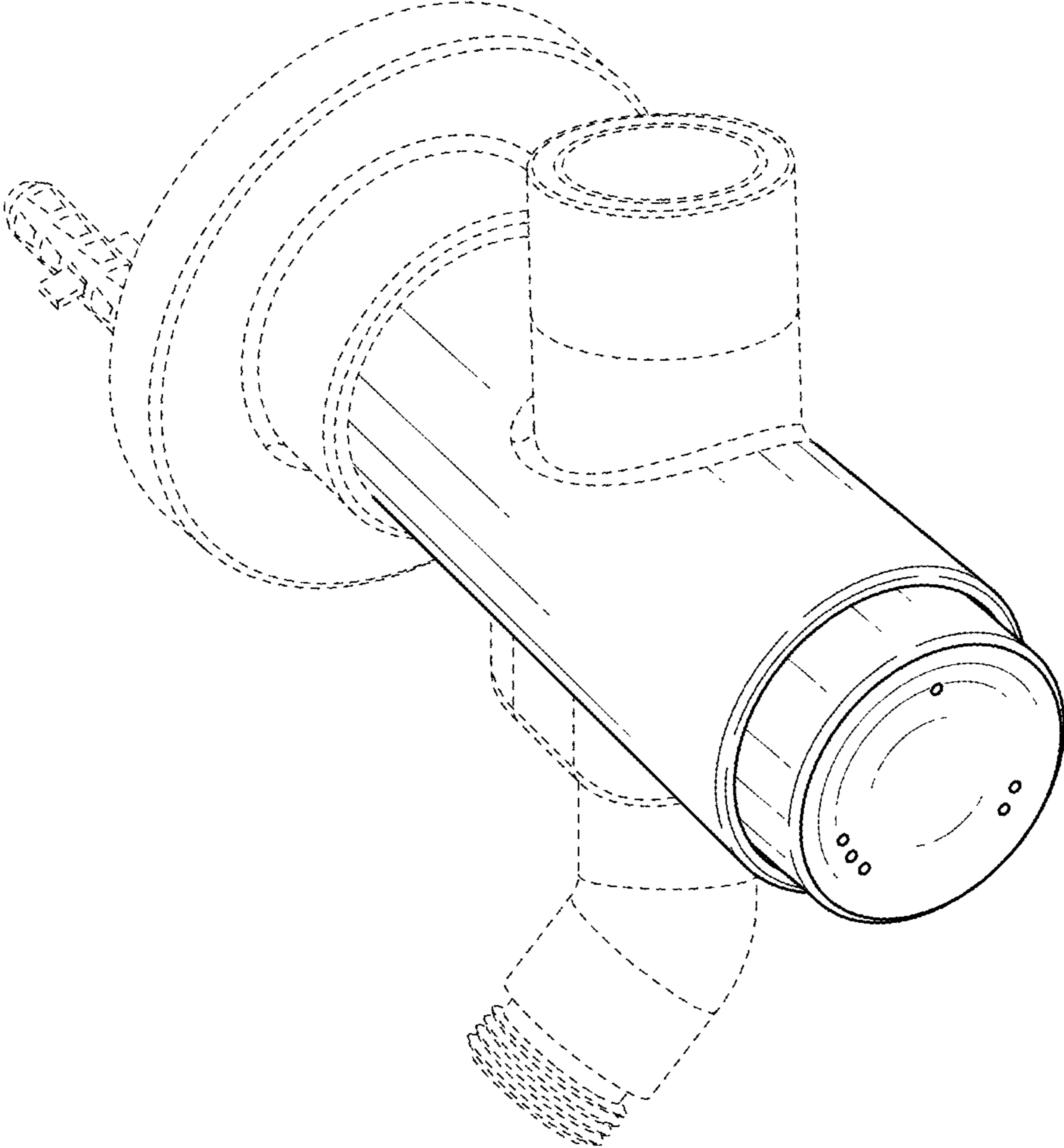


FIG. 1

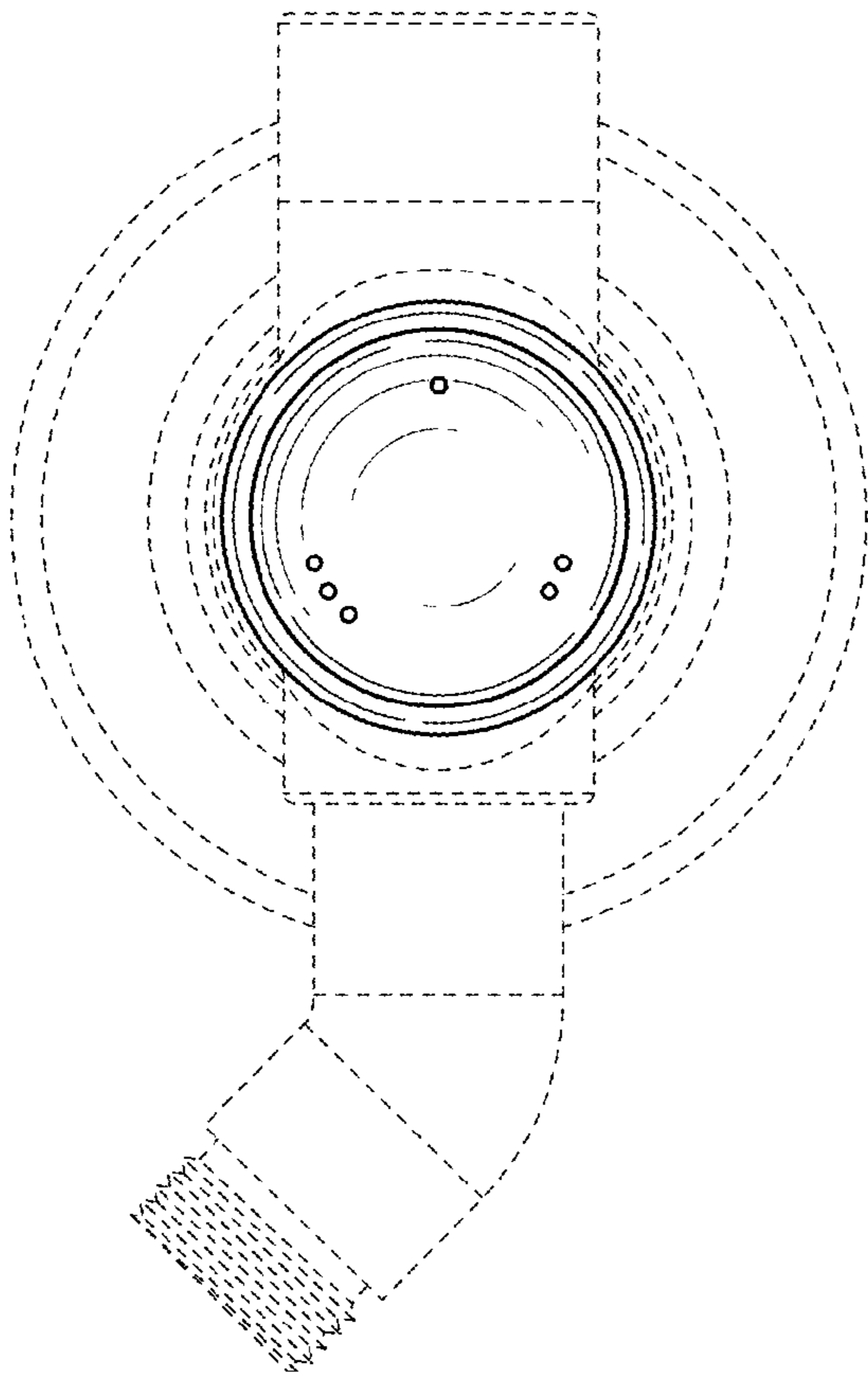


FIG. 2

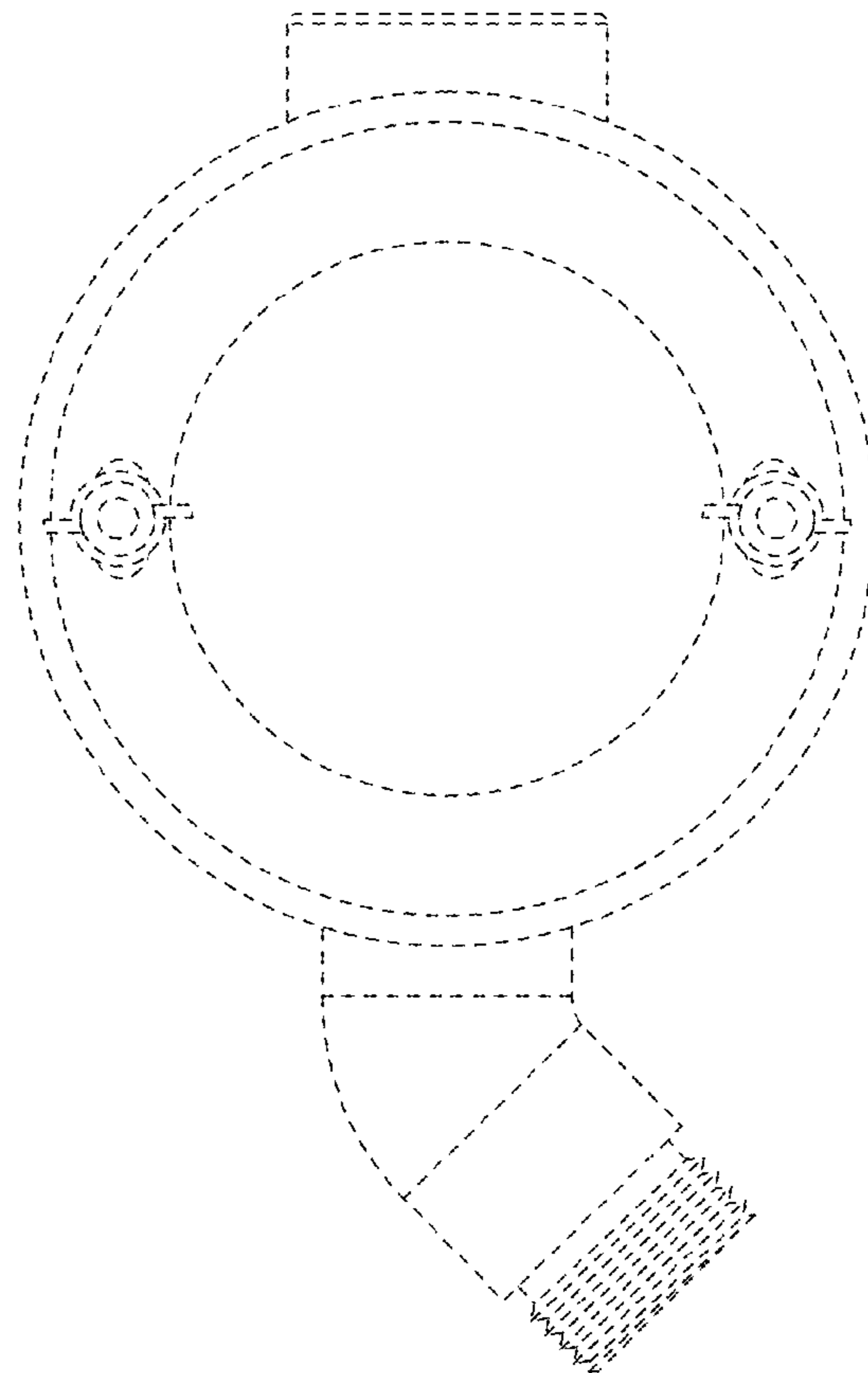


FIG. 3

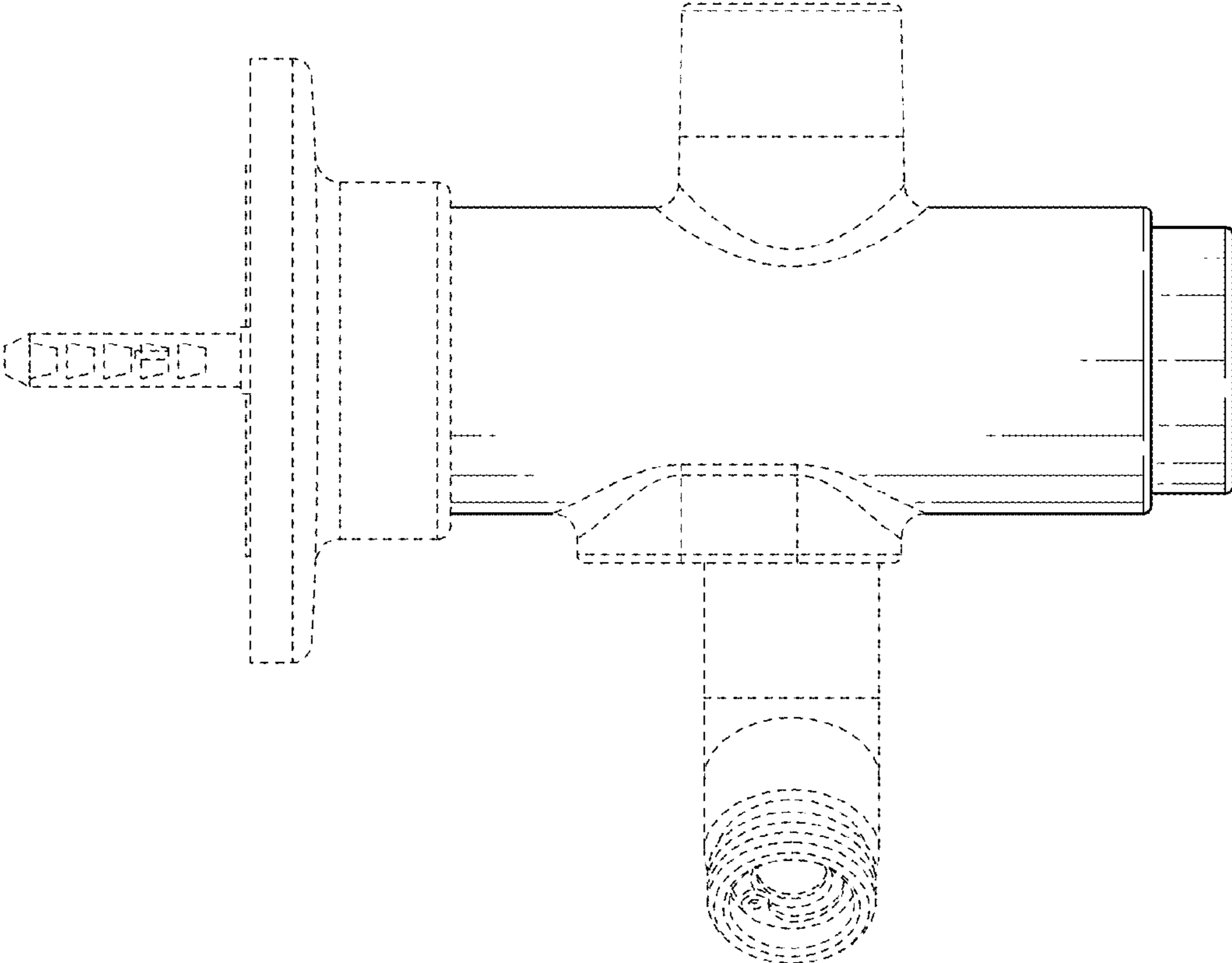


FIG. 4

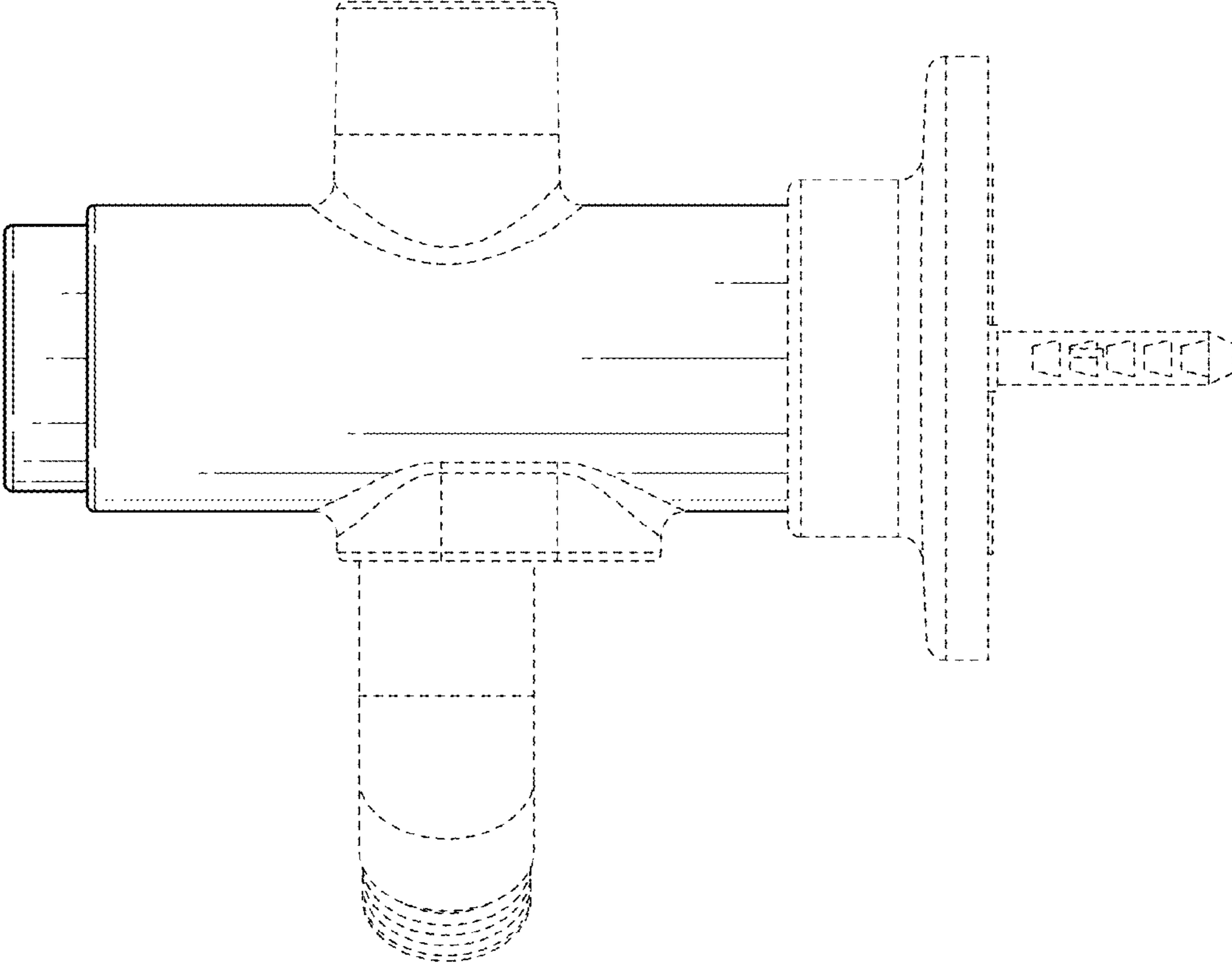


FIG. 5

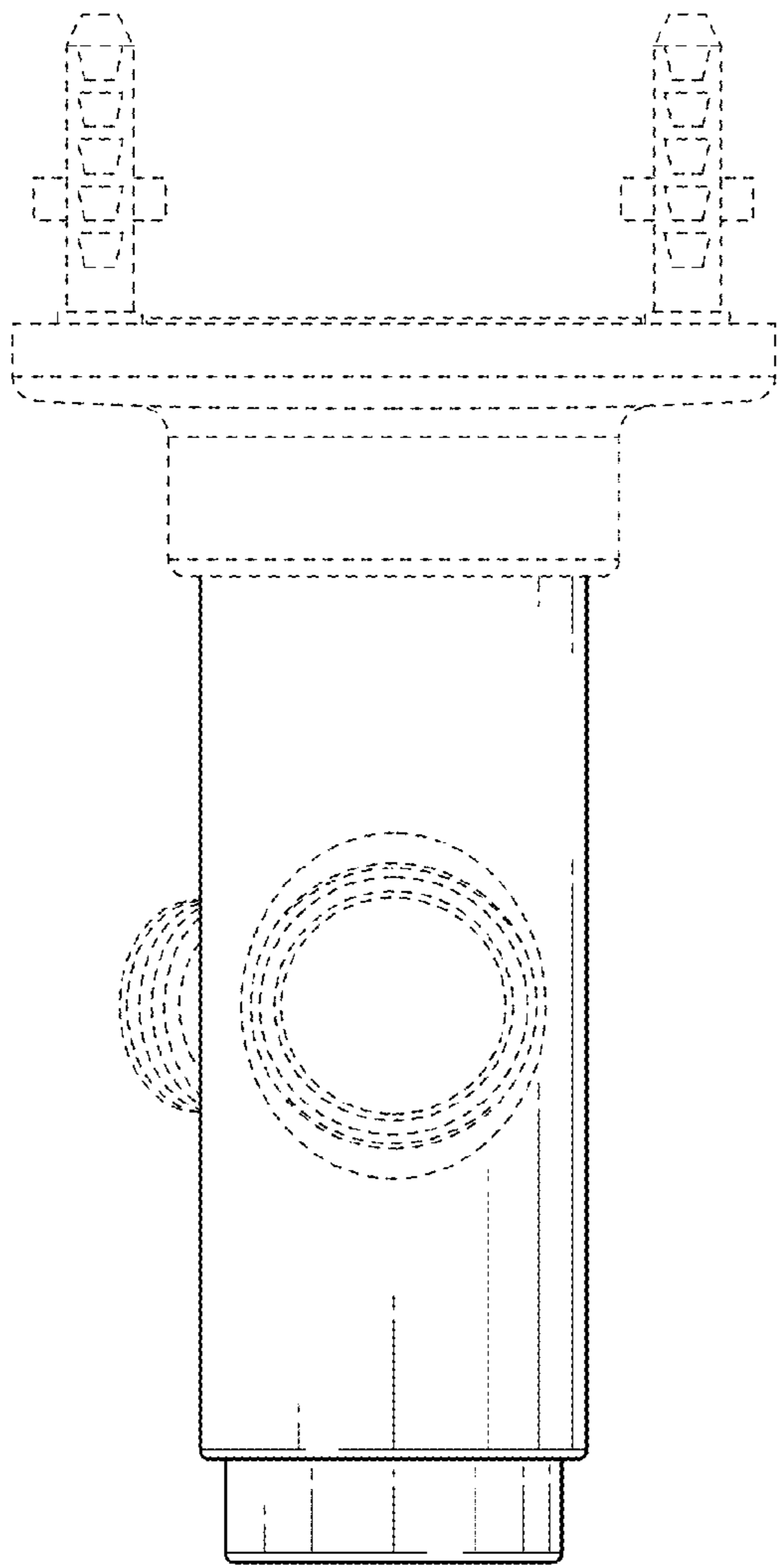


FIG. 6

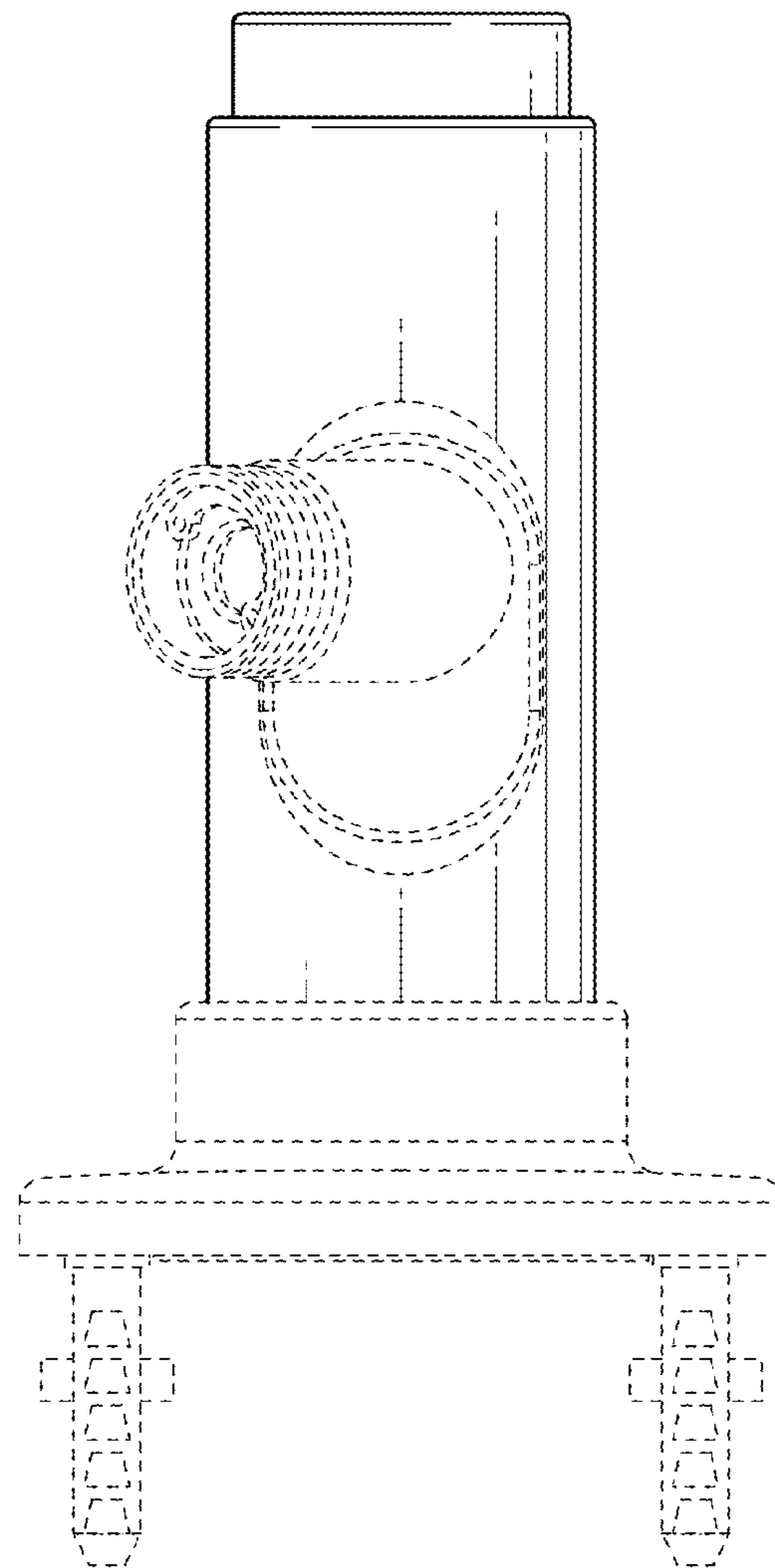


FIG. 7

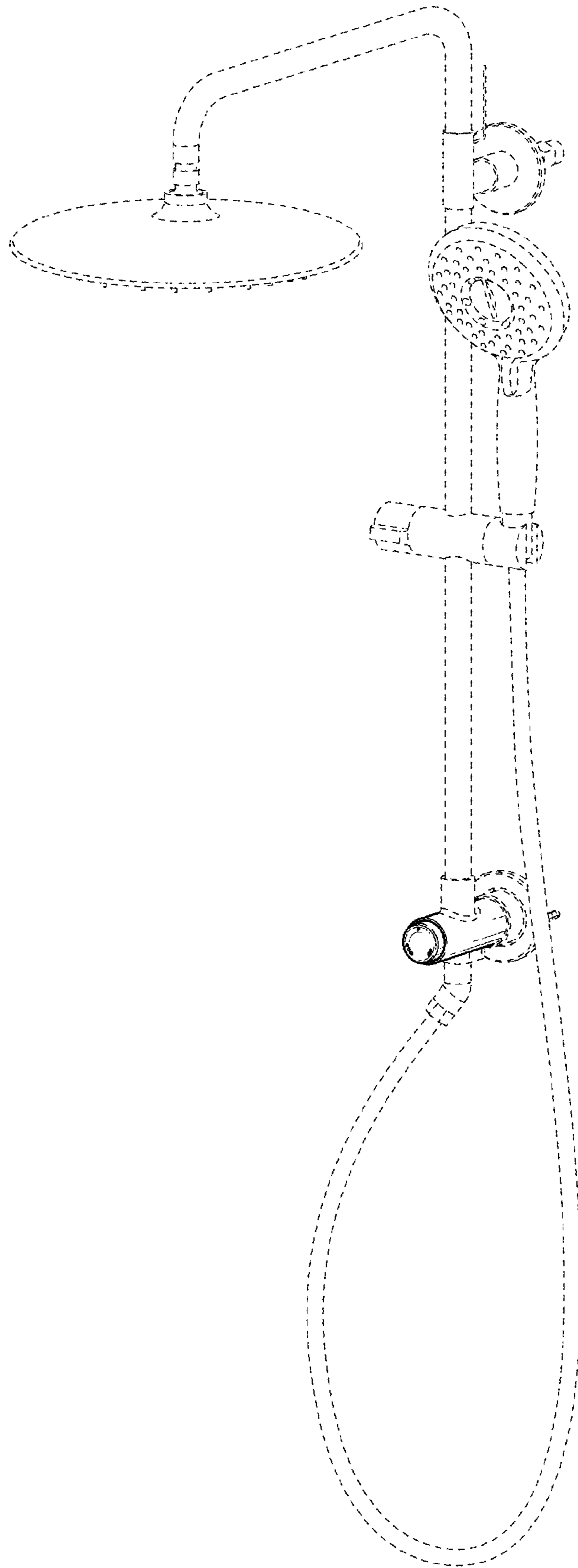


FIG. 8