



(12) **United States Design Patent**
Williams et al.

(10) **Patent No.:** **US D945,567 S**
(45) **Date of Patent:** **** Mar. 8, 2022**

(54) **FAUCET**

FOREIGN PATENT DOCUMENTS

(71) Applicant: **AS America, Inc.**, Piscataway, NJ (US)

CA 137286 * 3/2009

(72) Inventors: **Emilie Williams**, New York, NY (US);
Jian Zhang, Guangzhou (CN)

OTHER PUBLICATIONS

(73) Assignee: **AS America, Inc.**, Piscataway, NJ (US)

American Standard 4803900.002 Studio S Pot Filler, first available Nov. 22, 2019 [online], [site visited Aug. 11, 2021]. Available from internet, URL:<https://www.amazon.com/American-Standard-4803900-002-Studio-Polished/dp/B081W39WKR> (Year: 2019).*
NIREU Pot Filler Faucet, first available Jun. 9, 2019 [online], [site visited Jun. 9, 2019]. Available from internet, URL:<https://www.amazon.com/Filler-Folding-Stretchable-Kitchen-Handles/dp/B07SX28FYF> (Year: 2019).*

(**) Term: **15 Years**

* cited by examiner

(21) Appl. No.: **29/725,615**

(22) Filed: **Feb. 26, 2020**

(30) **Foreign Application Priority Data**

Primary Examiner — Barbara Fox
Assistant Examiner — Jamaal Rasheed
(74) *Attorney, Agent, or Firm* — Tyler A. Stevenson;
Anna-lisa L. Gallo

Aug. 28, 2019 (CN) 201930470102.3

(51) **LOC (13) Cl.** **23-01**

(52) **U.S. Cl.**
USPC **D23/242**

(58) **Field of Classification Search**
USPC D23/238–244, 252, 254–255, 257
CPC F16K 31/602; F16K 31/605; F16K 31/607;
E03C 1/0412
See application file for complete search history.

(57) **CLAIM**

We claim the ornamental design for a faucet, as shown and described.

DESCRIPTION

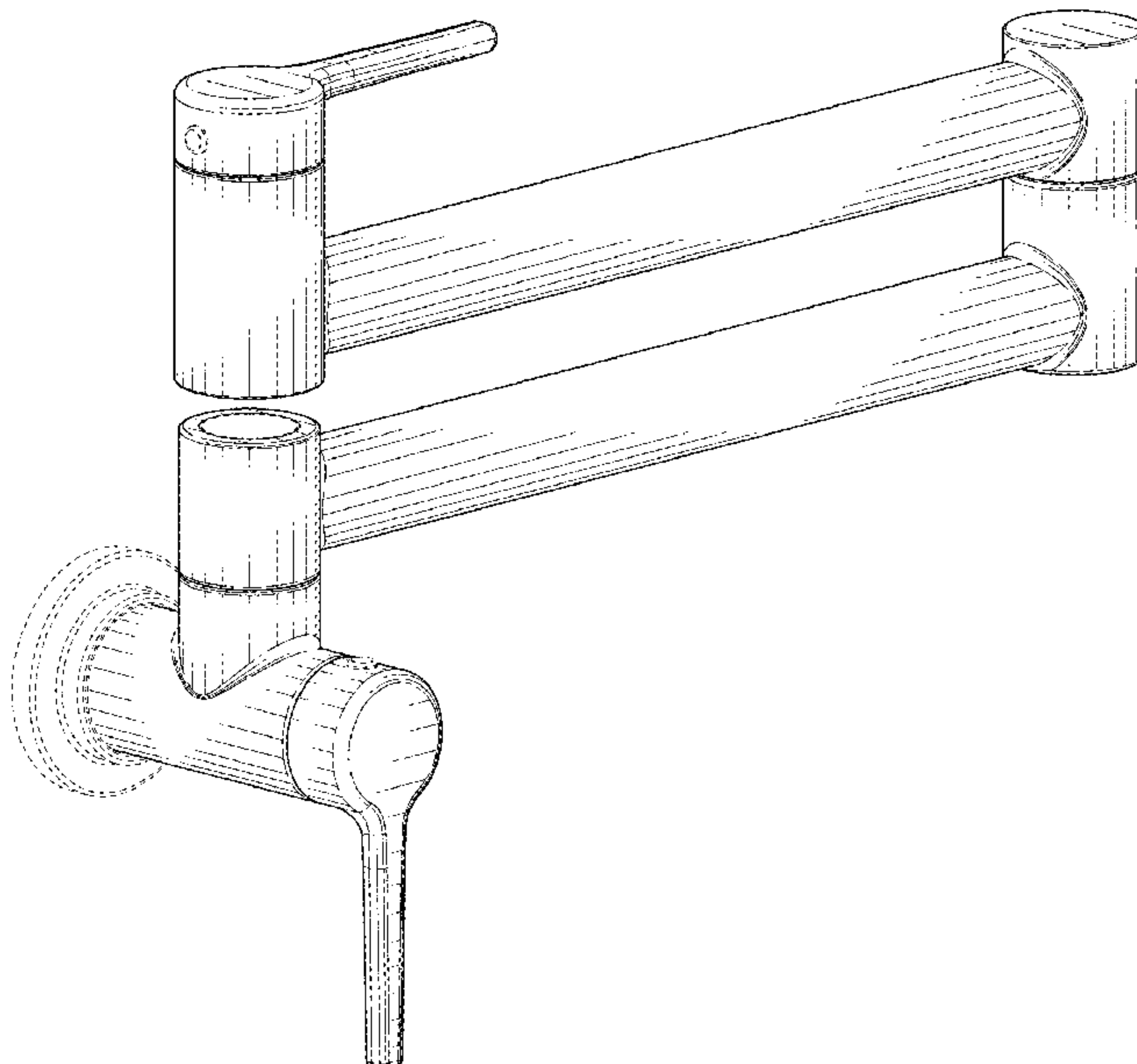
(56) **References Cited**

U.S. PATENT DOCUMENTS

D540,435 S *	4/2007	Wilcox	D23/238
D551,324 S *	9/2007	Wilcox	D23/238
D606,173 S *	12/2009	Sieger	D23/255
D619,220 S *	7/2010	Semchuck	D23/238
D646,359 S *	10/2011	Sieger	D23/238
8,056,574 B2 *	11/2011	Erickson	E03C 1/021 137/15.18
D883,436 S *	5/2020	Kuang	D23/238
D912,774 S *	3/2021	Seum	D23/238
D920,479 S *	5/2021	Ao	D23/238

FIG. 1 is a top, front, left side perspective view of a faucet showing our new design;
FIG. 2 is a front view thereof;
FIG. 3 is a rear view thereof;
FIG. 4 is a left side view thereof;
FIG. 5 is a right side view thereof;
FIG. 6 is a top view thereof;
FIG. 7 is a bottom view thereof; and,
FIG. 8 is another top, front, left side perspective view.
The broken lines immediately adjacent to the shaded areas represent the bounds of the claim, while the other broken lines depict portions of the faucet. The broken lines form no part of the claimed design.

1 Claim, 6 Drawing Sheets



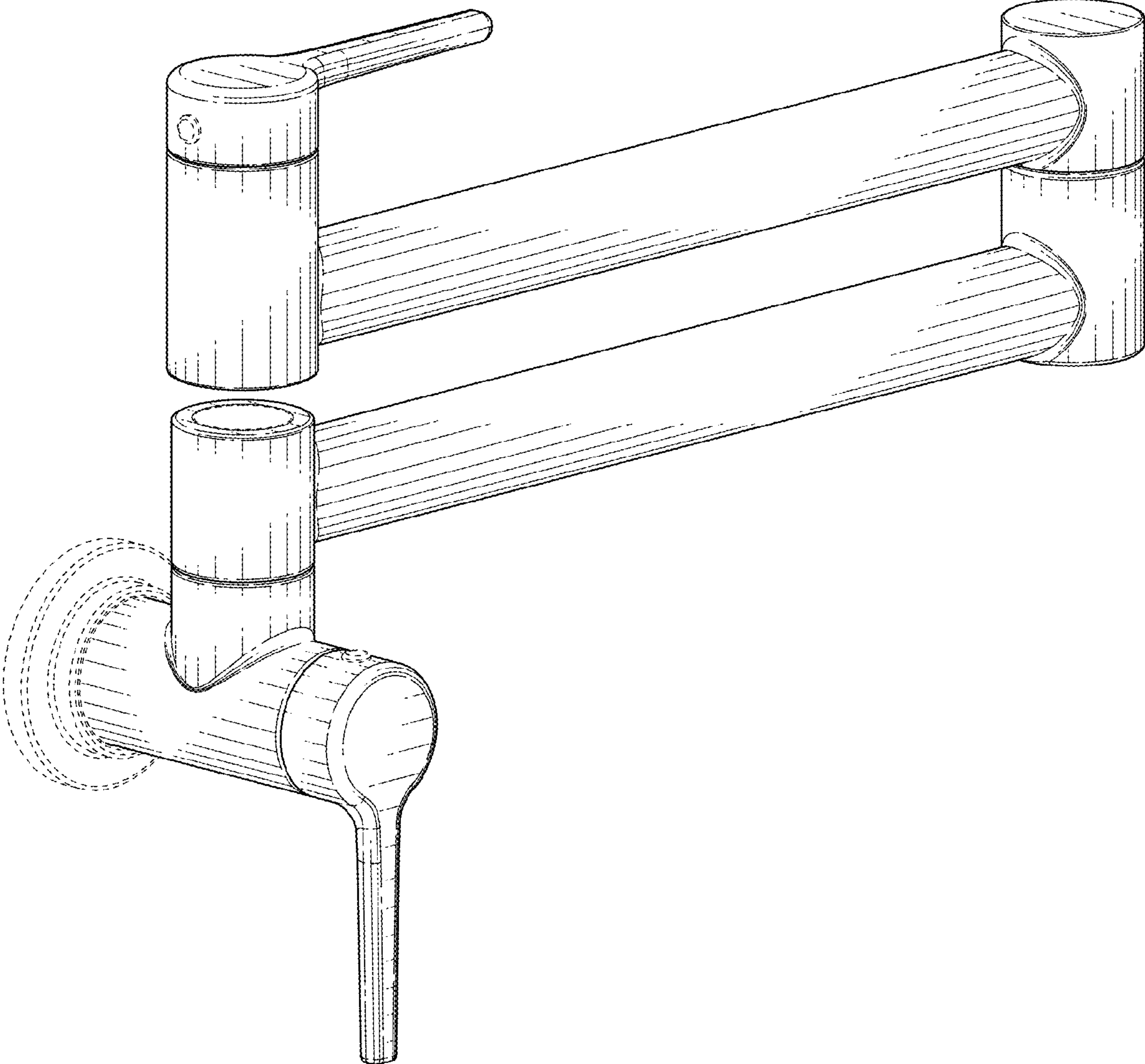


FIG. 1

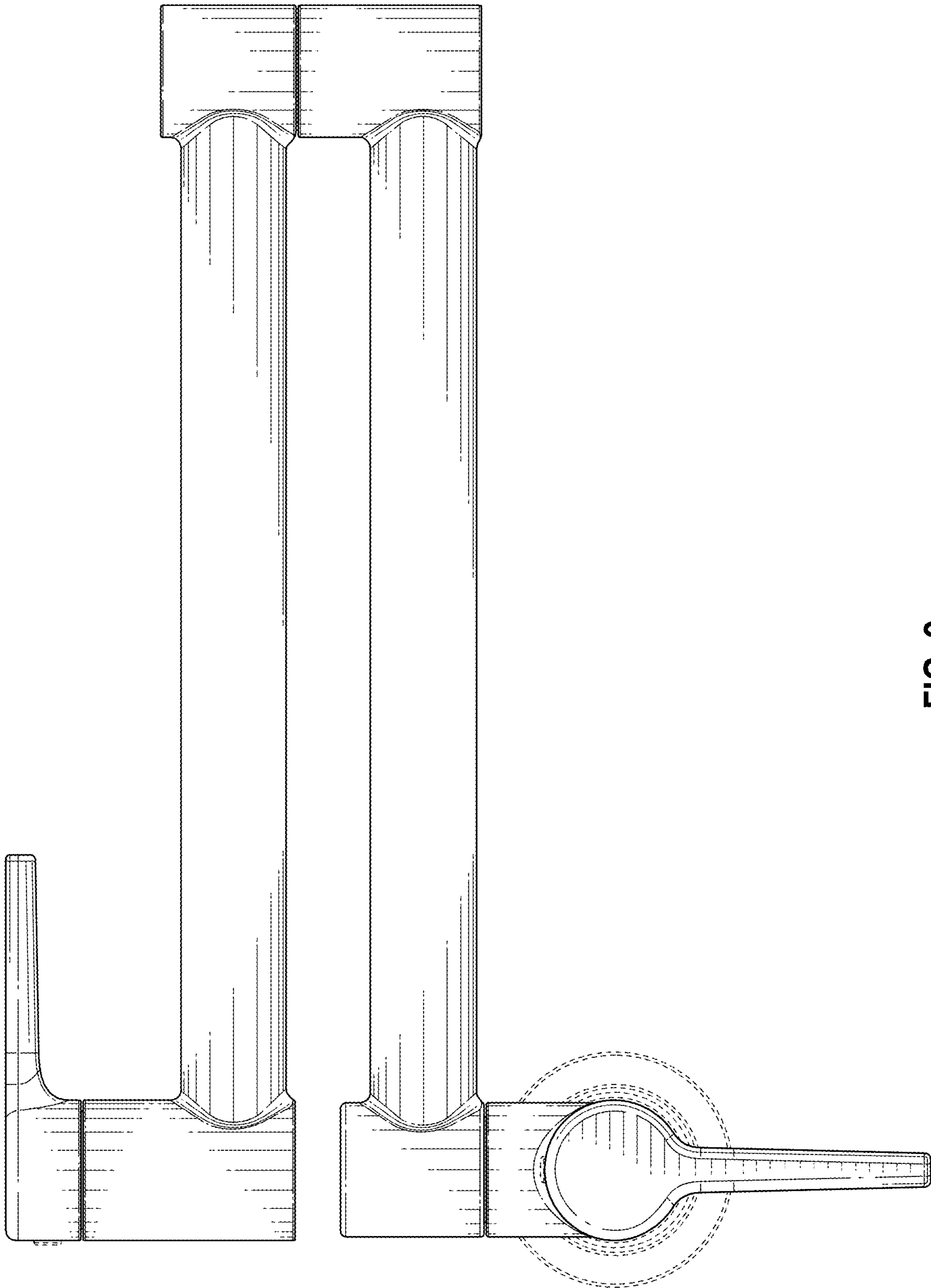


FIG. 2

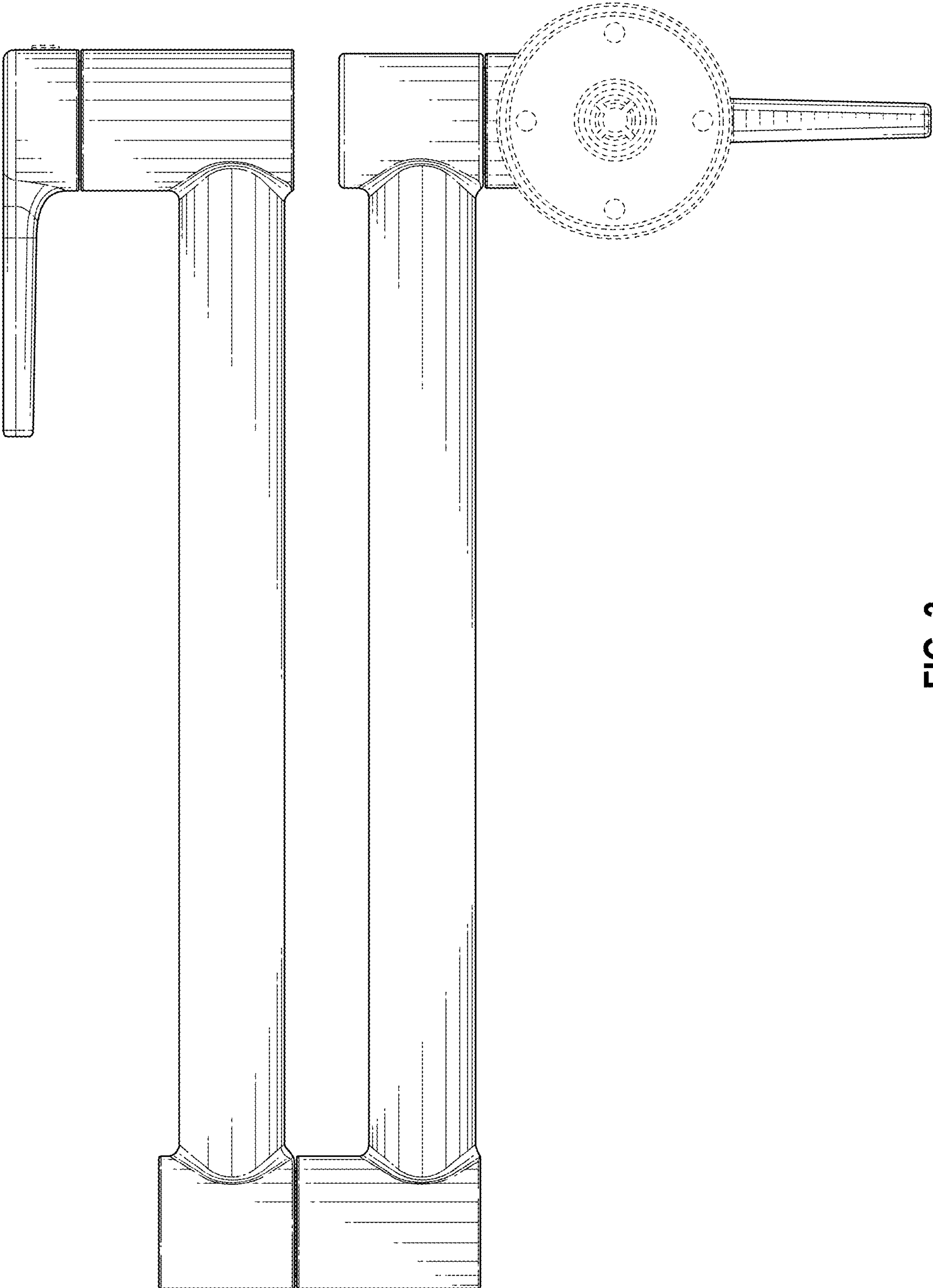


FIG. 3

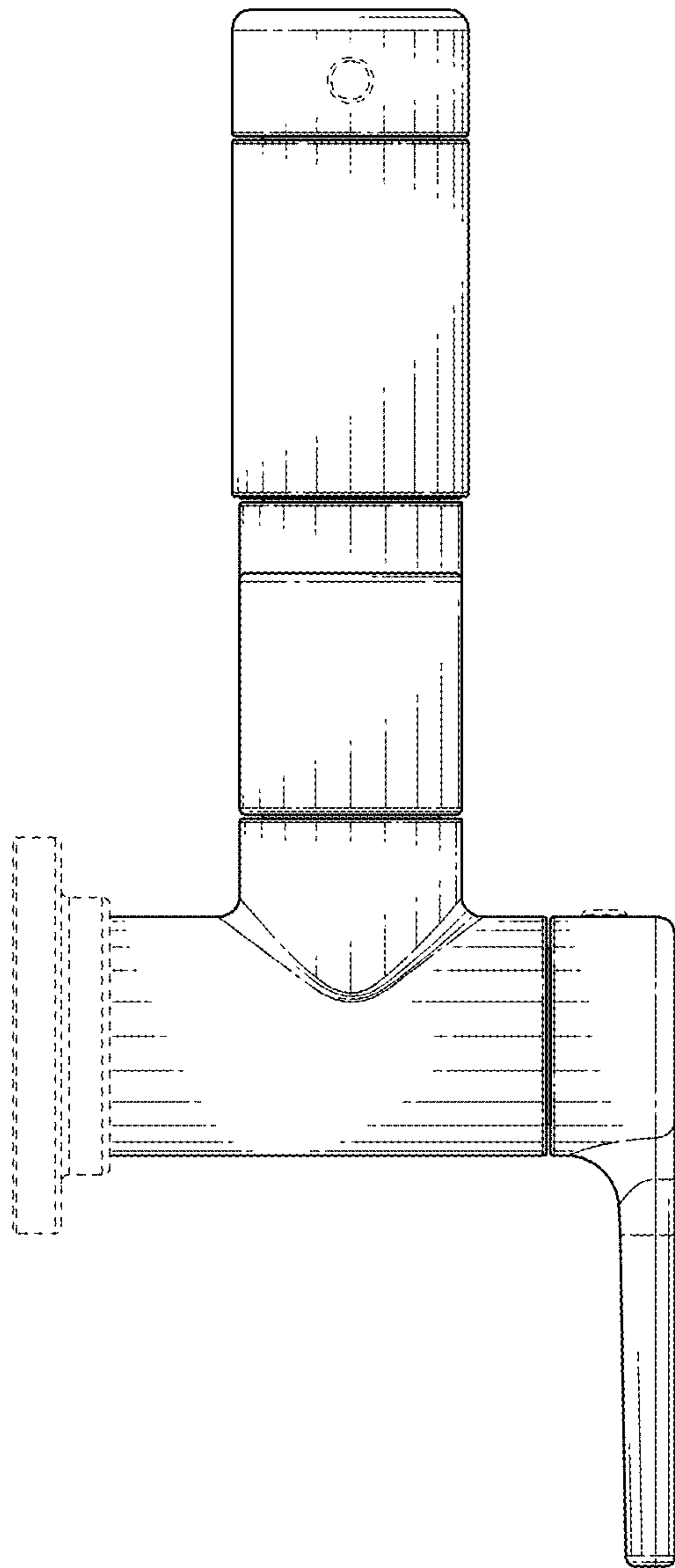


FIG. 4

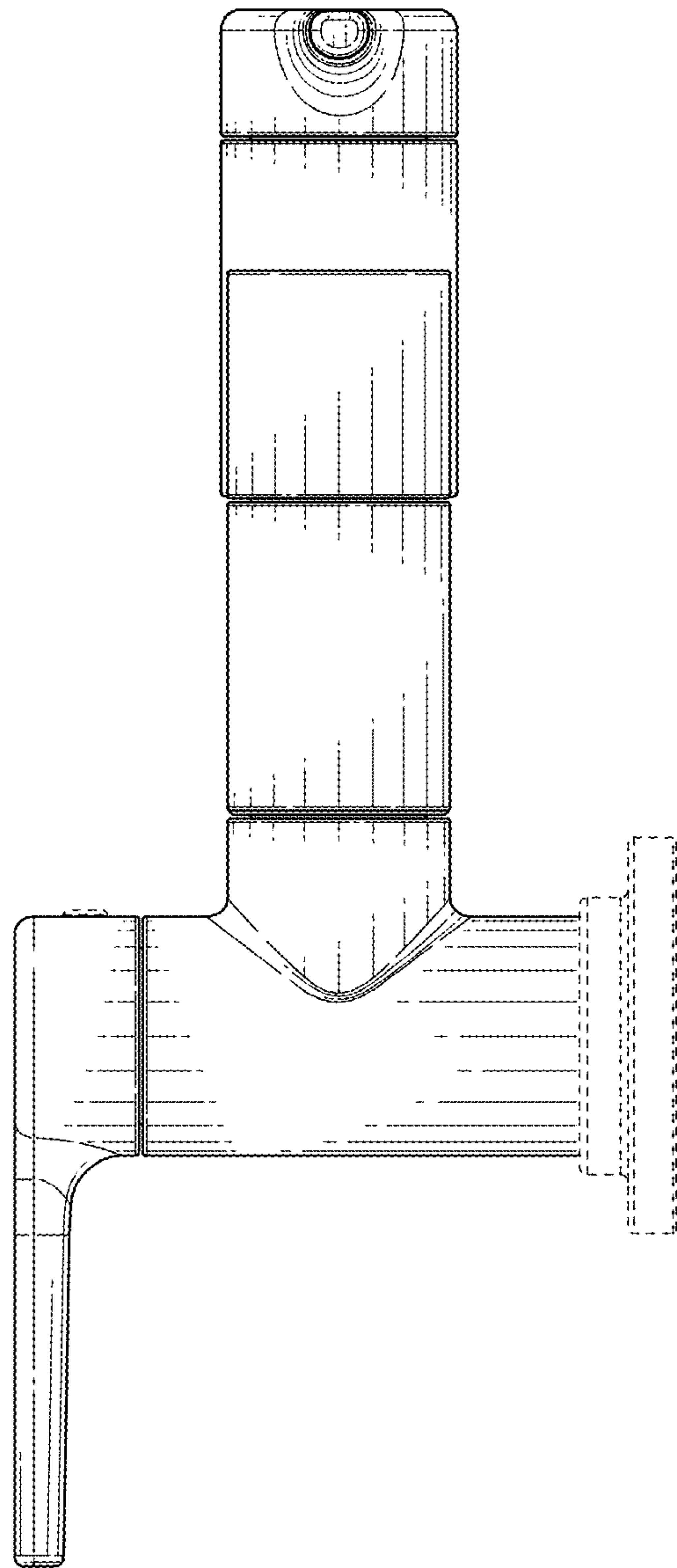


FIG. 5

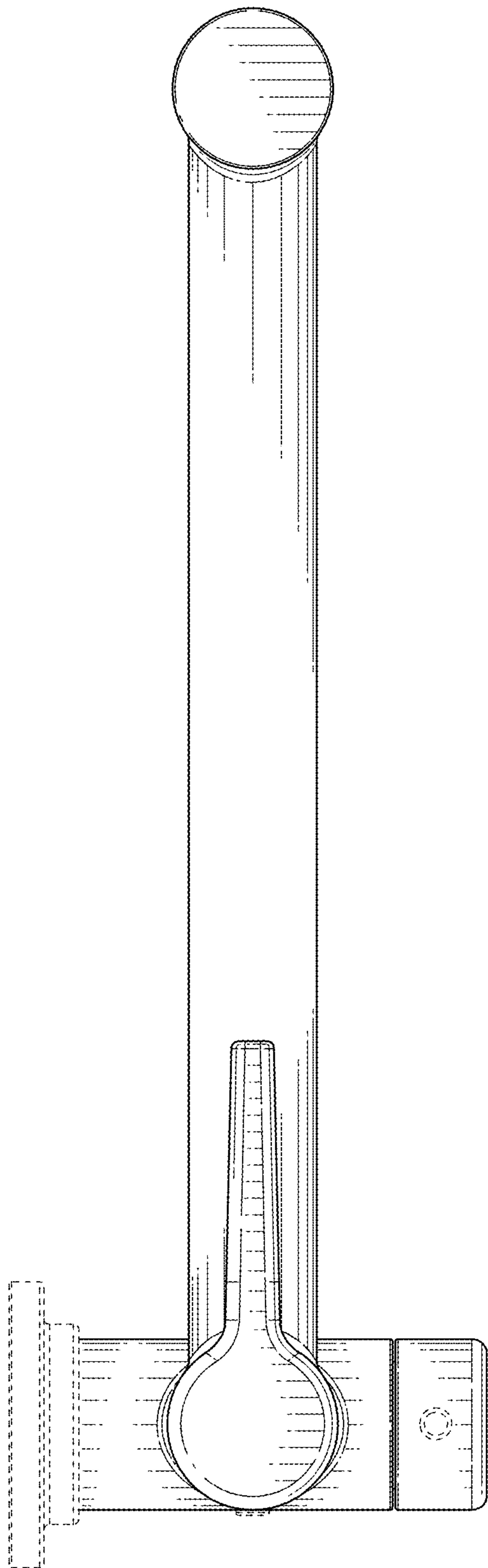


FIG. 6

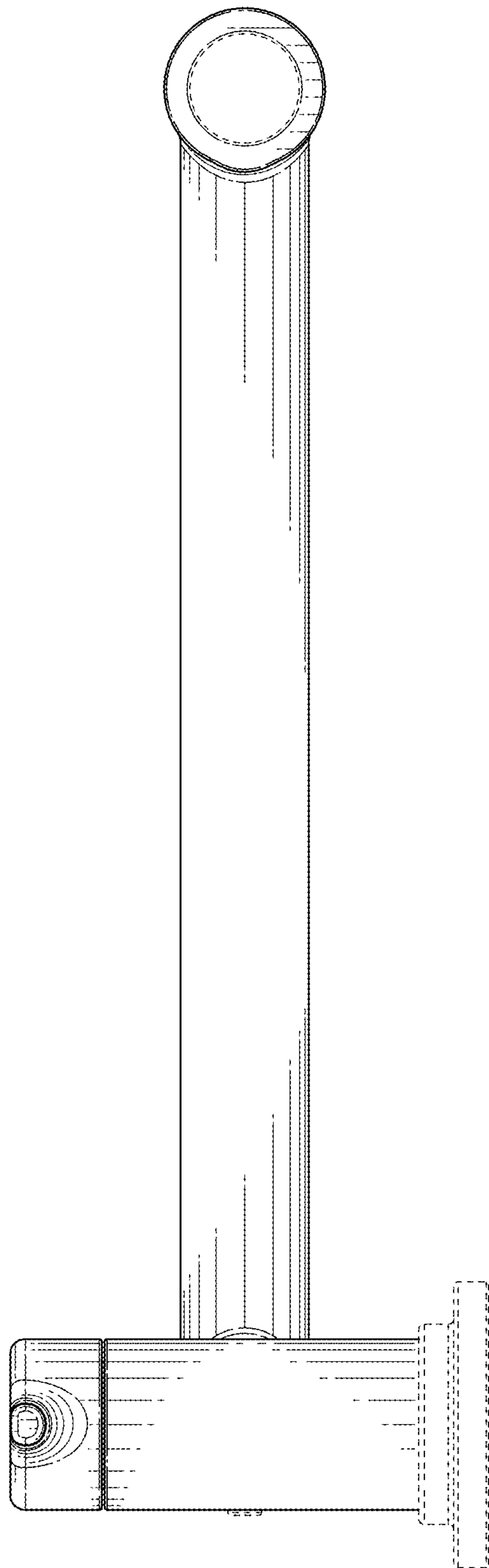


FIG. 7

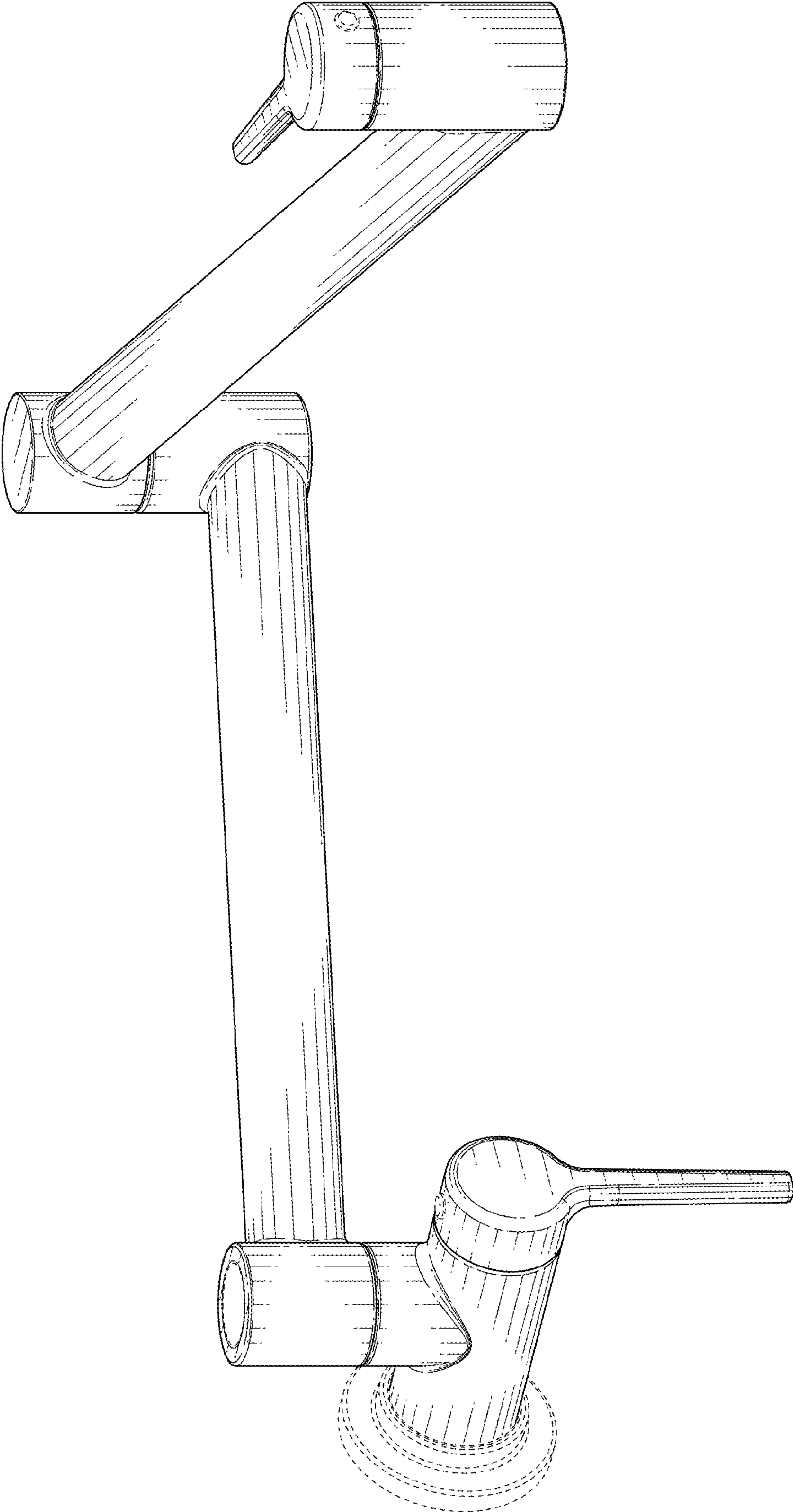


FIG. 8