



US00D945565S

(12) **United States Design Patent**
Sakai

(10) **Patent No.:** **US D945,565 S**

(45) **Date of Patent:** **** Mar. 8, 2022**

(54) **JET CLEANER FOR A VEHICLE EXTERIOR EQUIPMENT OR AN OUTDOOR EQUIPMENT**

D446,840 S * 8/2001 Strand D23/209
D481,442 S * 10/2003 Liu D23/209
D482,755 S * 11/2003 Rhinehart D23/207
D486,882 S * 2/2004 Riddell D23/207
D502,757 S * 3/2005 Mork D23/207

(Continued)

(71) Applicant: **KOITO MANUFACTURING CO., LTD.**, Tokyo (JP)

FOREIGN PATENT DOCUMENTS

(72) Inventor: **Masaru Sakai**, Shizuoka (JP)

JP 2019-156260 A 9/2019

(73) Assignee: **KOITO MANUFACTURING CO., LTD.**, Tokyo (JP)

OTHER PUBLICATIONS

(**) Term: **15 Years**

Amiad Mini Sigma Automatic Filter, May 7, 2018, youtube.com, Dec. 3, 2021, URL: <https://www.youtube.com/watch?v=zoXjRnkqiZc&t=6s> (Year: 2018).*

(21) Appl. No.: **29/761,981**

(Continued)

(22) Filed: **Dec. 14, 2020**

Primary Examiner — Jack Reickel

(30) **Foreign Application Priority Data**

Assistant Examiner — Keith J Wilson

Jun. 22, 2020 (JP) 2020-012392 D

(74) *Attorney, Agent, or Firm* — Sughrue Mion, PLLC

(51) **LOC (13) Cl.** **23-01**

(57) **CLAIM**

(52) **U.S. Cl.**
USPC **D23/233**

The ornamental design for a jet cleaner for a vehicle exterior equipment or an outdoor equipment, as shown and described.

(58) **Field of Classification Search**
USPC D23/200, 206, 207, 208, 209, 210, 213,
D23/233, 314, 324, 325, 328, 332, 333,
D23/336, 351, 353, 355, 357
CPC ... E04G 7/16; Y10T 403/30; Y10T 403/7105;
Y10T 403/7158; F16L 29/02; F16L
37/40; F16L 37/084; F16L 37/00; F16K
15/188; F16K 15/181
See application file for complete search history.

DESCRIPTION

(56) **References Cited**

U.S. PATENT DOCUMENTS

4,026,801 A * 5/1977 Ward B01J 49/75
210/140
D333,505 S * 2/1993 Matsumura D23/200
5,486,288 A * 1/1996 Stanford B01D 35/153
210/235
D439,950 S * 4/2001 Fletcher D23/207

FIG. 1 is a perspective view of a jet cleaner for a vehicle exterior equipment or an outdoor equipment showing my new design;

FIG. 2 is a front view thereof;

FIG. 3 is a rear view thereof;

FIG. 4 is a left side view thereof;

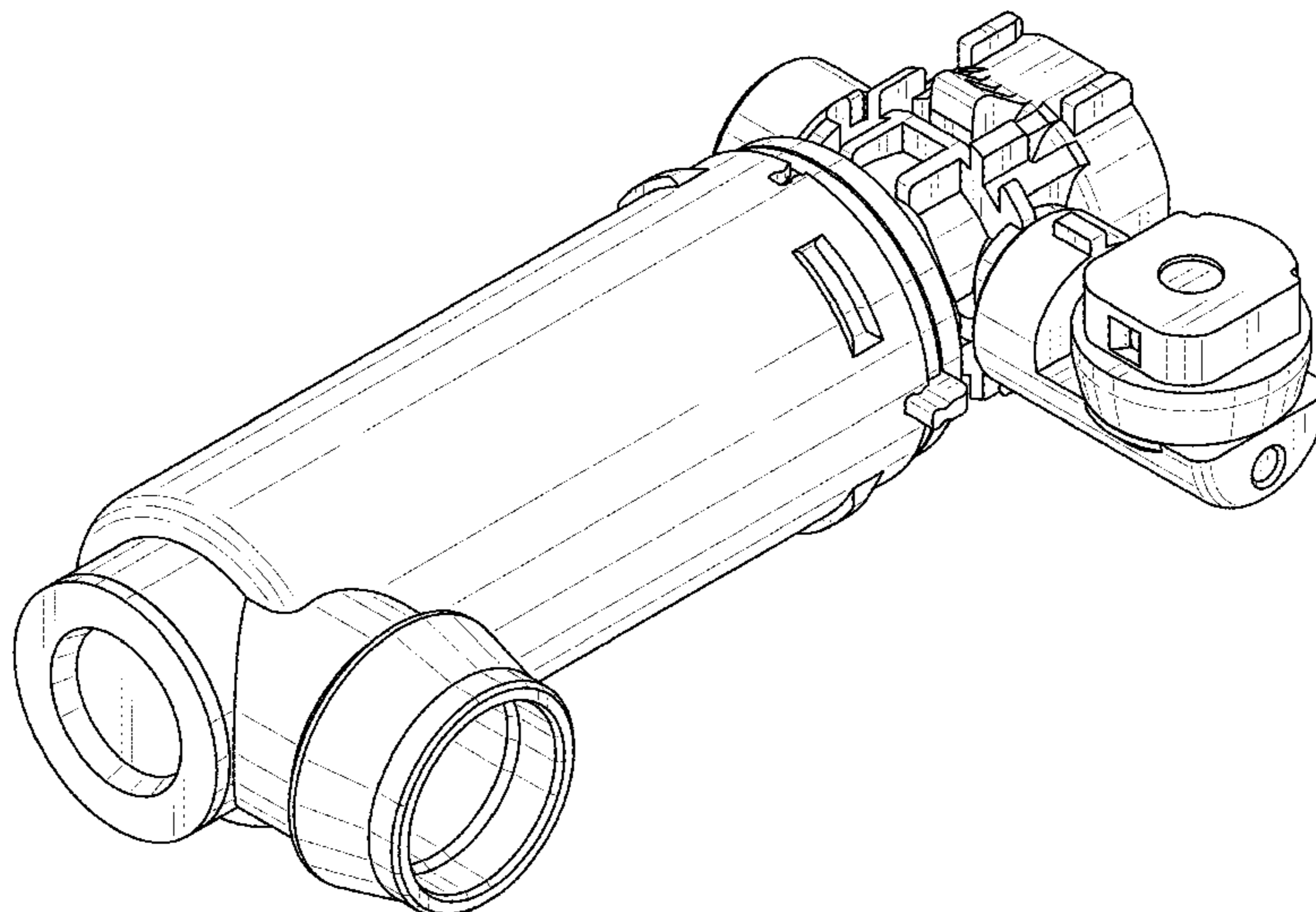
FIG. 5 is a right side view thereof;

FIG. 6 is a top view thereof; and,

FIG. 7 is a bottom view thereof.

The broken lines shown are included for the purpose of illustrating the unclaimed portions of a jet cleaner for a vehicle exterior equipment or an outdoor equipment and form no part of the claimed design.

1 Claim, 5 Drawing Sheets



(56)

References Cited

U.S. PATENT DOCUMENTS

D601,225 S * 9/2009 Kurisaki D10/85
 D603,341 S * 11/2009 Kawakami D13/158
 D606,164 S * 12/2009 Kawakami D23/233
 D606,166 S * 12/2009 Gunji D23/233
 D610,233 S * 2/2010 Kurisaki D23/233
 D633,982 S * 3/2011 Palmer D23/209
 7,913,932 B2 * 3/2011 Wu A01M 7/0046
 239/288
 D643,506 S * 8/2011 Miles D23/207
 D654,145 S * 2/2012 Chatterjee D23/207
 D682,387 S * 5/2013 Tseng D23/207
 D695,877 S * 12/2013 Geisen D23/207
 D754,630 S * 4/2016 Paterson D14/204
 D755,155 S * 5/2016 Paterson D14/204
 D790,508 S * 6/2017 Lewis D14/204
 D829,687 S * 10/2018 Burlingame D14/214
 D837,182 S * 1/2019 Elmieh D14/204
 D841,774 S * 2/2019 Ghoshal D23/207

D841,775 S * 2/2019 Ghoshal D23/207
 D844,101 S * 3/2019 Zheng D23/207
 D848,399 S * 5/2019 Burlingame D14/221
 D854,509 S * 7/2019 Wu D14/168
 D855,151 S * 7/2019 Joo D23/207
 2009/0167540 A1 * 7/2009 Struyk G01P 13/002
 340/610
 2018/0291911 A1 * 10/2018 Ward F04B 17/03
 2019/0283715 A1 9/2019 Sakai

OTHER PUBLICATIONS

GE Water Filter System for Entire Home | Premium Water Filtration System Reduces Sediment, Rust & More, Oct. 29, 2012, URL: <https://www.amazon.com/dp/B009YA28ES> (Year: 2012).
 Office Action dated Dec. 22, 2020 issued by the Japan Patent Office in counterpart Japanese English Design Patent Application No. 2020-012392, English translation.

* cited by examiner

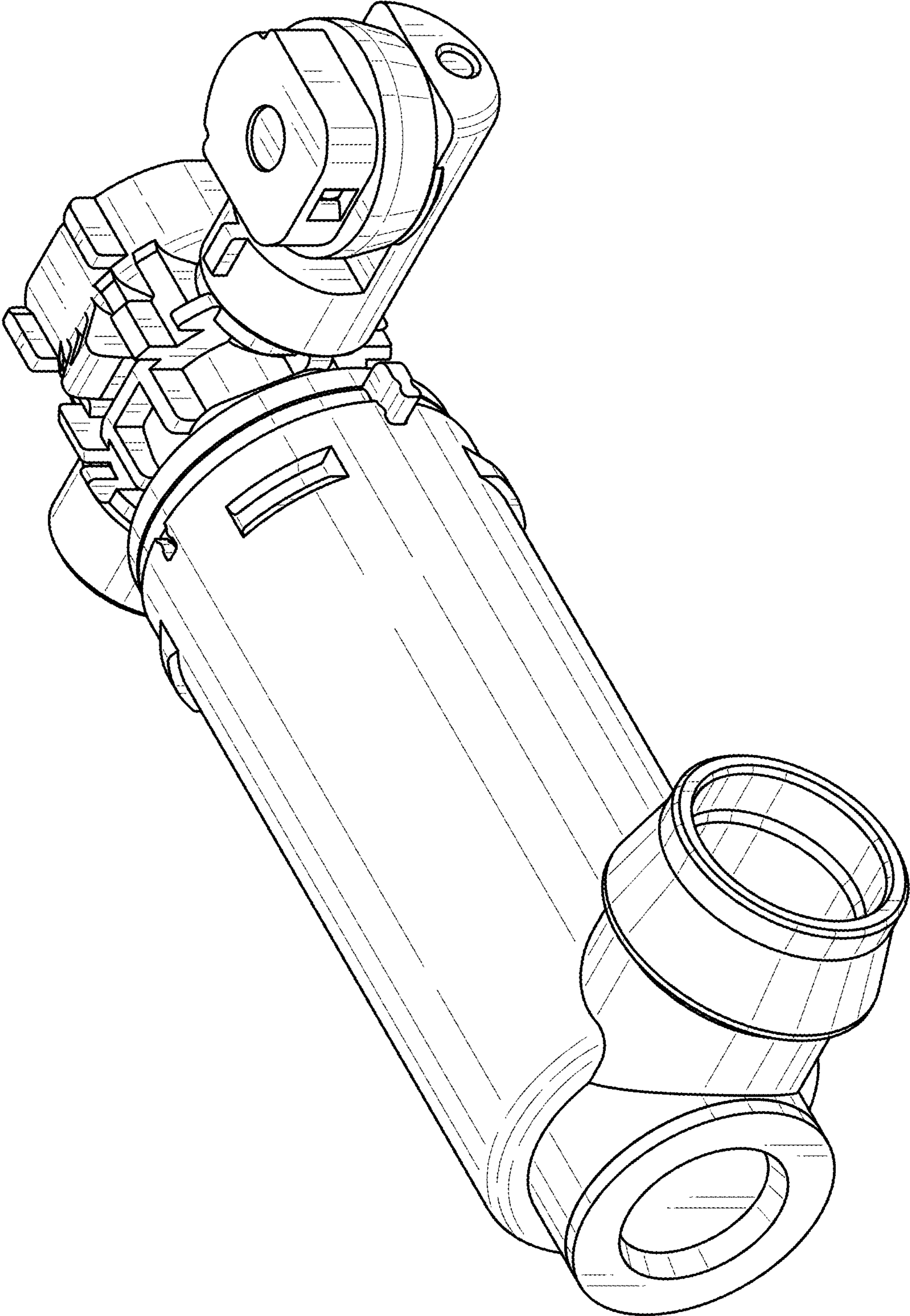


FIG. 1

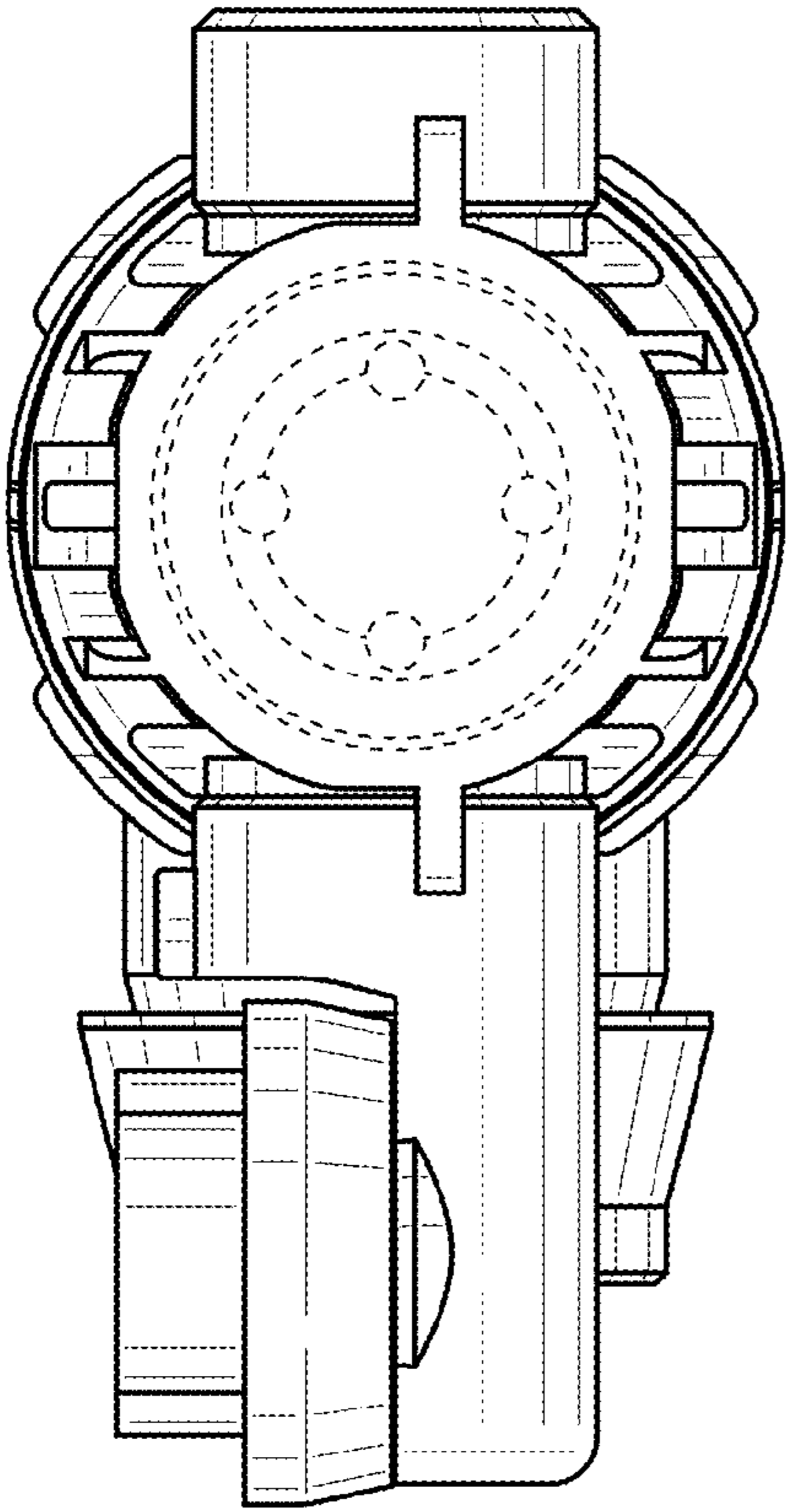


FIG. 2

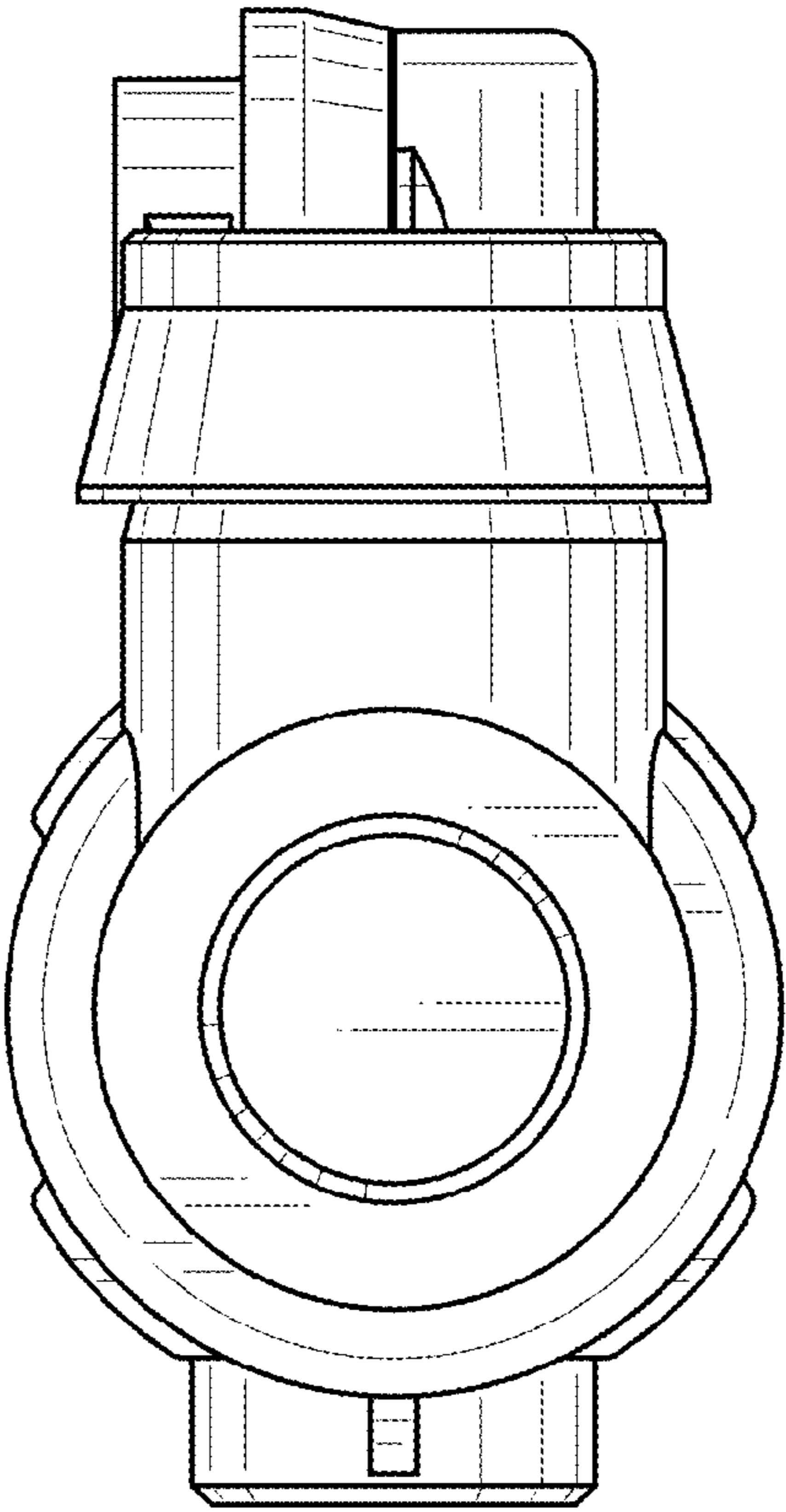


FIG. 3

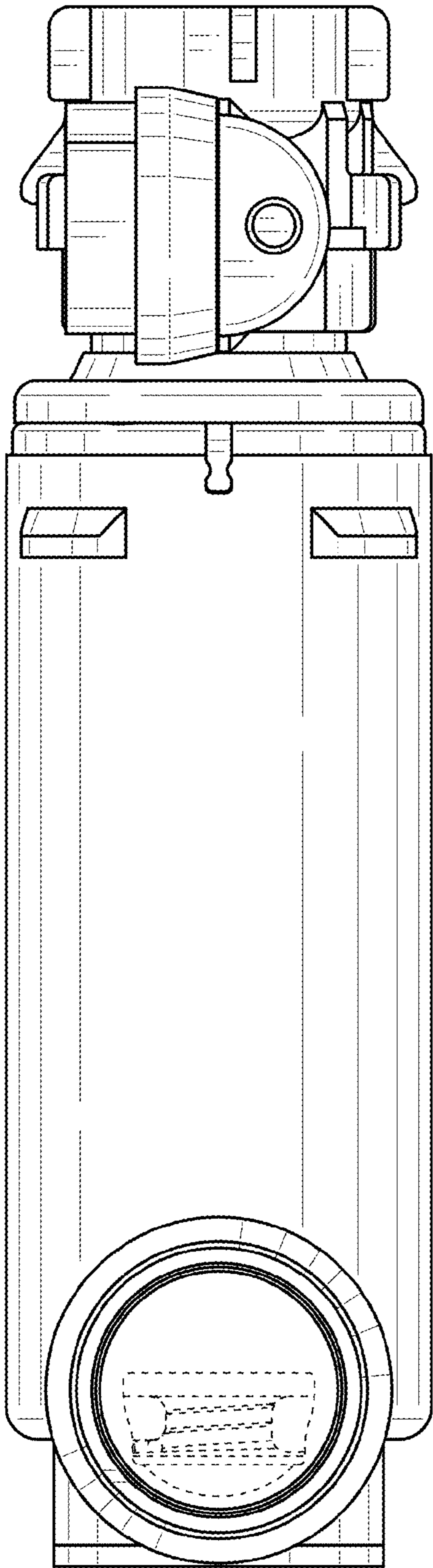


FIG. 4

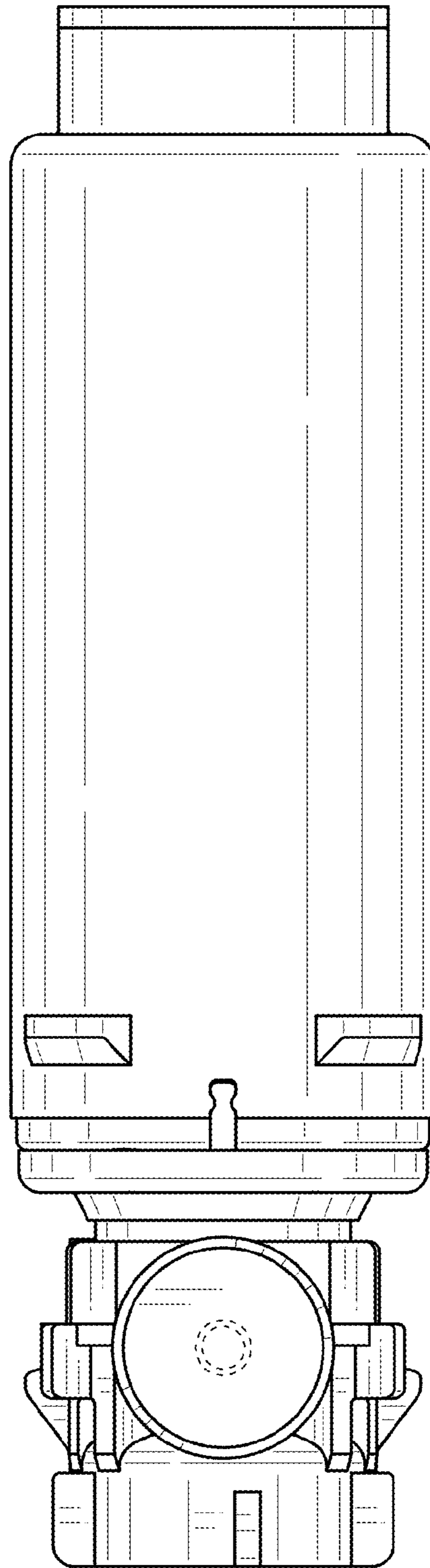


FIG. 5

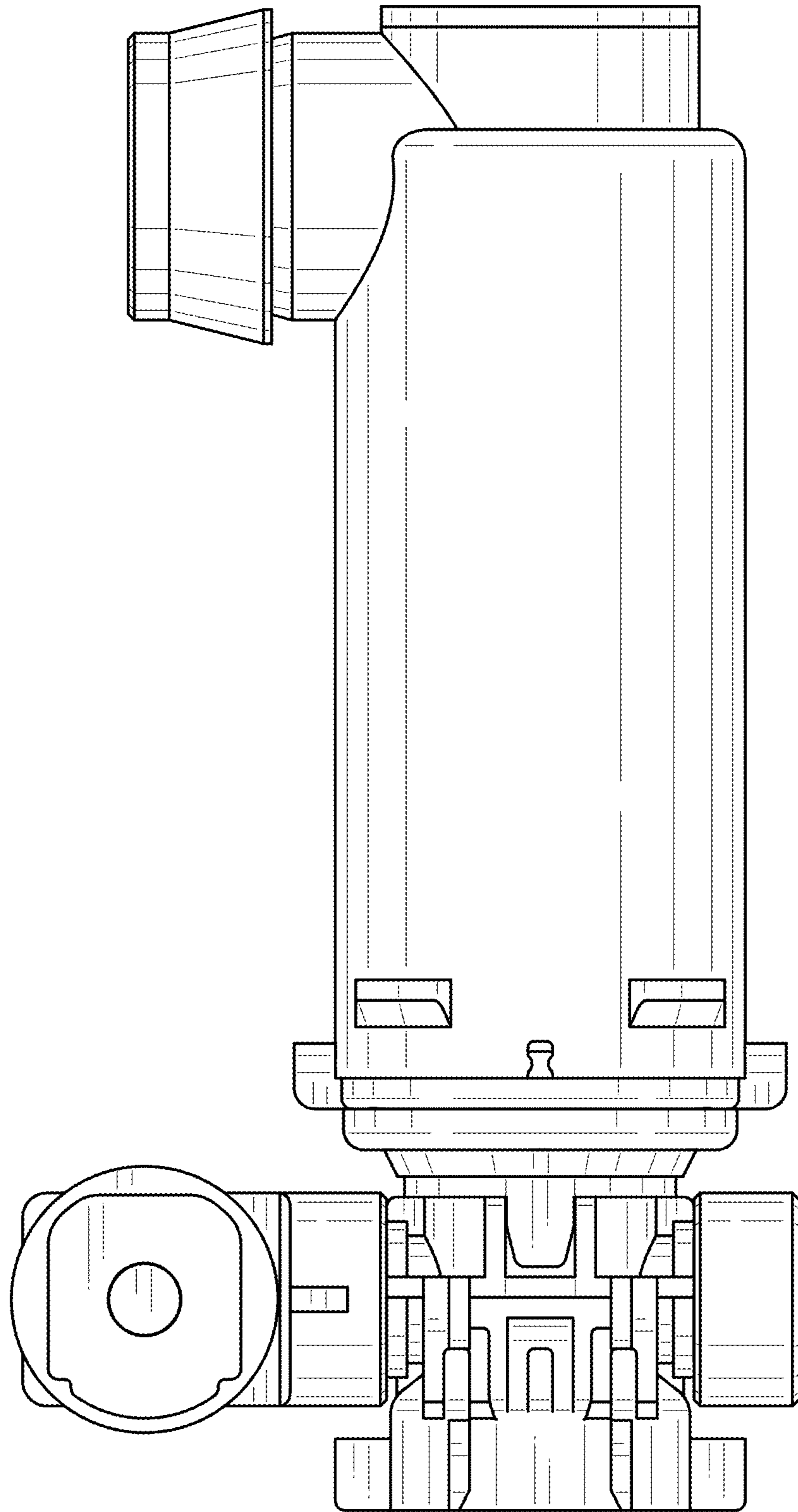


FIG. 6

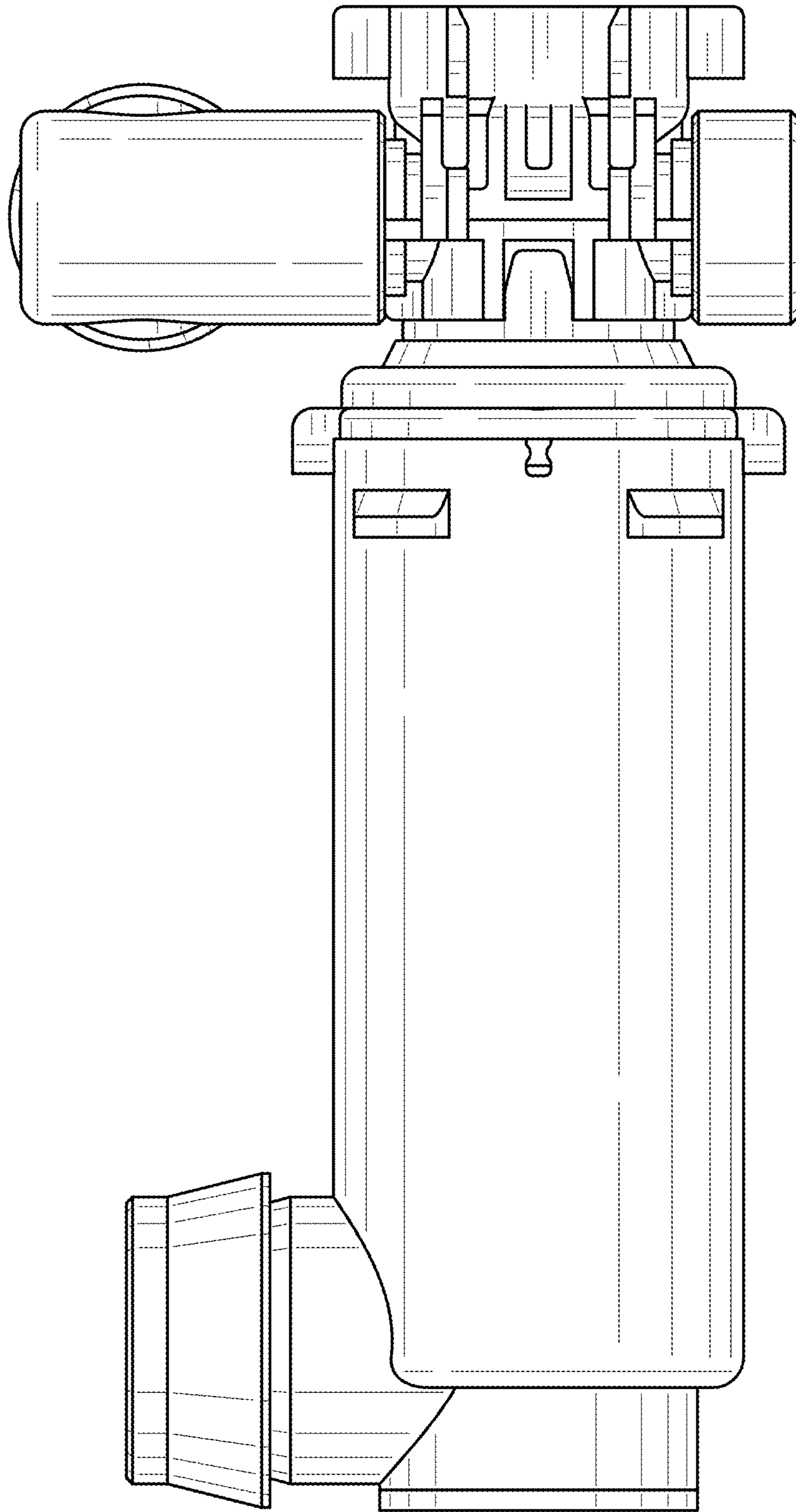


FIG. 7