



US00D945563S

(12) **United States Design Patent**
Urry et al.

(10) **Patent No.:** **US D945,563 S**
(45) **Date of Patent:** **** Mar. 8, 2022**

(54) **WATERING WAND**

(71) Applicant: **Orbit Irrigation Products, LLC**, North Salt Lake, UT (US)

(72) Inventors: **Andrew Mark Urry**, Riverton, UT (US); **Troy Andreas Groll**, Kaysville, UT (US)

(73) Assignee: **Orbit Irrigation Products, LLC**, North Salt Lake, UT (US)

(**) Term: **15 Years**

(21) Appl. No.: **29/735,700**

(22) Filed: **May 22, 2020**

(51) **LOC (13) Cl.** **23-01**

(52) **U.S. Cl.**
USPC **D23/226**

(58) **Field of Classification Search**
USPC D23/213, 214, 223, 226, 228, 229, 230,
D23/238, 239, 240, 241, 242, 249, 250,
D23/255, 257

(Continued)

(56) **References Cited**

U.S. PATENT DOCUMENTS

D359,547 S * 6/1995 Wang D23/213
5,615,837 A * 4/1997 Roman B05B 1/3026
239/530

(Continued)

OTHER PUBLICATIONS

Orbit 56044 Fireman Lever, May 1, 2018, Amazon, site visited Aug. 2, 2021: <https://www.amazon.com/dp/B004RUFUCUC/> (Year: 2018).*

(Continued)

Primary Examiner — Jack Reickel
Assistant Examiner — Bobby W Jones, II

(74) *Attorney, Agent, or Firm* — Austin Rapp

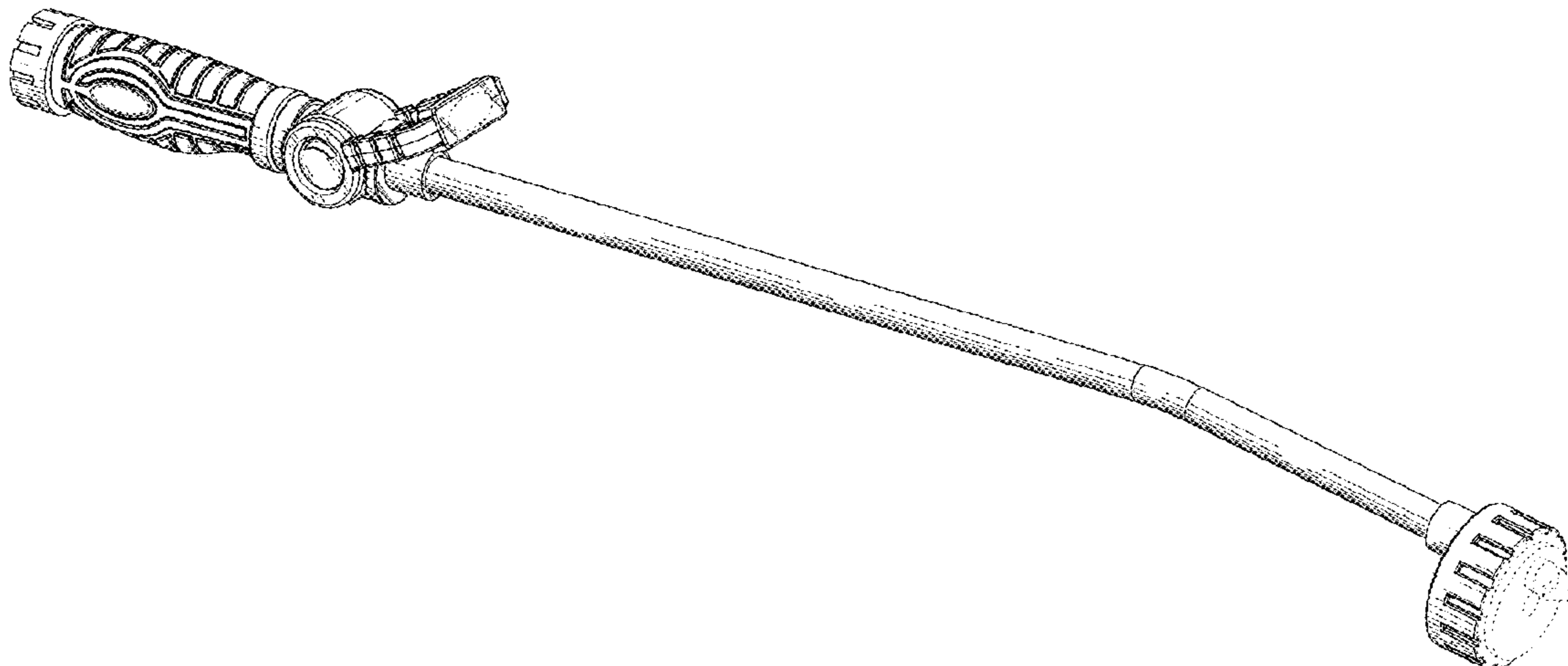
(57) **CLAIM**

The ornamental design for a watering wand, as shown and described.

DESCRIPTION

FIG. 1 comprises a first top perspective view of a watering wand according to our new design;
FIGS. 1A-1B jointly comprise the first top perspective view of the watering wand;
FIG. 2 comprises a second top perspective view of the watering wand;
FIGS. 2A-2B jointly comprise the second top perspective view of the watering wand;
FIG. 3 comprises a first bottom perspective view of the watering wand;
FIGS. 3A-3B jointly comprise the first bottom perspective view of the watering wand;
FIG. 4 comprises a second bottom perspective view of the watering wand;
FIGS. 4A-4B jointly comprise the second bottom perspective view of the watering wand;
FIG. 5 is an enlarged front side elevational view of the watering wand;
FIG. 6 is an enlarged rear side elevational view of the watering wand;
FIG. 7 comprises a top side view of the watering wand;
FIGS. 7A-7B jointly comprise the top side view of the watering wand;
FIG. 8 comprises a bottom side view of the watering wand;
FIGS. 8A-8B jointly comprise the bottom side view of the watering wand;
FIG. 9 comprises a right side elevational view of the watering wand;
FIGS. 9A-9B jointly comprise the right side elevational view of the watering wand;
FIG. 10 comprises a left side elevational view of the watering wand;
FIGS. 10A-10B jointly comprise the left side elevational view of the watering wand;
FIG. 11 comprises a left side elevational view of the watering wand in a first alternative position;

(Continued)



FIGS. 11A-11B jointly comprise the left side elevational view of the watering wand in the first alternative position; FIG. 12 comprises a left side elevational view of the watering wand in a second alternative position; and, FIGS. 12A-12B jointly comprise the left side elevational view of the watering wand in the second alternative position. The broken lines in the figures are included for the purpose of illustrating unclaimed portions of the watering wand and form no part of the claimed design.

1 Claim, 32 Drawing Sheets

(58) **Field of Classification Search**

CPC B05B 1/16; B05B 1/1618; B05B 1/18; jB05B 1/185; B05B 15/62; B05B 15/652; F16K 31/60; F16K 31/607; E03C 1/02; E03C 1/04; E03C 1/0401; E03C 1/0402; E03C 1/0404; E03C 1/0405; E03C 1/0408; E03C 1/06; E03C 1/063; E03C 1/066; E03C 2001/0414; E03C 2001/0415; Y10T 137/9464

See application file for complete search history.

(56) **References Cited**

U.S. PATENT DOCUMENTS

D425,603 S * 5/2000 Guo D23/213
 6,568,610 B1 5/2003 Ericksen
 6,581,853 B1 * 6/2003 Huang B05B 15/654
 239/532
 6,915,967 B1 * 7/2005 Chen B05B 1/3013
 239/530
 7,124,965 B1 * 10/2006 Chen A62C 31/02
 239/525
 D760,349 S * 6/2016 Chen D23/223

D767,091 S * 9/2016 Chen D23/223
 D767,093 S 9/2016 Chen
 D767,096 S * 9/2016 Chen D23/226
 D768,818 S * 10/2016 Chen D23/223
 D769,413 S * 10/2016 Liao D23/223
 D780,289 S * 2/2017 Naslund D23/223
 D780,290 S * 2/2017 Naslund D23/223
 D780,292 S * 2/2017 Chen D23/226
 9,770,731 B1 * 9/2017 Chen B05B 9/01
 D820,953 S 6/2018 Chen
 D822,160 S * 7/2018 Urry D23/223
 D824,486 S * 7/2018 Urry D23/223
 D825,716 S * 8/2018 Helmsderfer D23/223
 D855,758 S * 8/2019 Chen D23/223
 D919,046 S * 5/2021 Urry D23/226
 D922,525 S * 6/2021 Urry D23/226
 2010/0282870 A1 * 11/2010 Chen B25G 3/20
 239/525
 2011/0220738 A1 * 9/2011 Cheng B05B 1/3026
 239/526
 2015/0343467 A1 * 12/2015 Chen B05B 1/1654
 239/526
 2018/0161795 A1 * 6/2018 Su B05B 1/30
 2018/0185863 A1 * 7/2018 Chen B05B 12/002

OTHER PUBLICATIONS

Colourwave Thumb Control 8-Pattern Watering Wand, Aug. 7, 2014, Amazon, site visited Aug. 2, 2021: <https://www.amazon.ca/dp/B00IZ72LF2/> (Year: 2014).*

Solterra 56383 Fireman Lever, Nov. 10, 2019, Amazon, site visited Aug. 2, 2021: <https://www.amazon.com/dp/B07RCJF5QL/> (Year: 2019).*

Orbit Irrigation Products, LLC, Product No. 58793 shown in attachment 1 was sold or offered at least by Jun. 1, 2004.

Orbit Irrigation Products, LLC, Product No. 27823 shown in attachment 2 was sold or offered for sale at least by Mar. 31, 2016.

Orbit Irrigation Products, LLC, Product No. 58993 shown in attachment 3 was sold or offered for sale at least by Feb. 26, 2016.

* cited by examiner

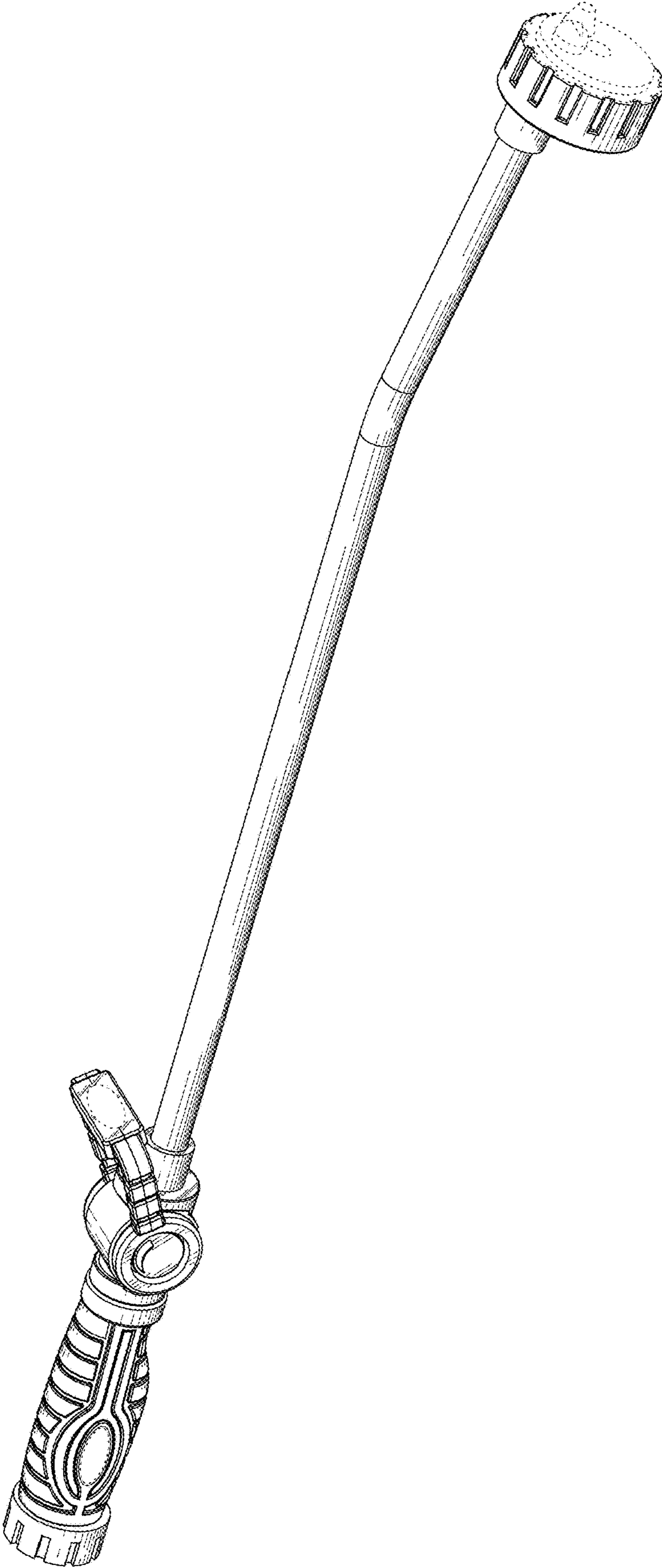


FIG. 1

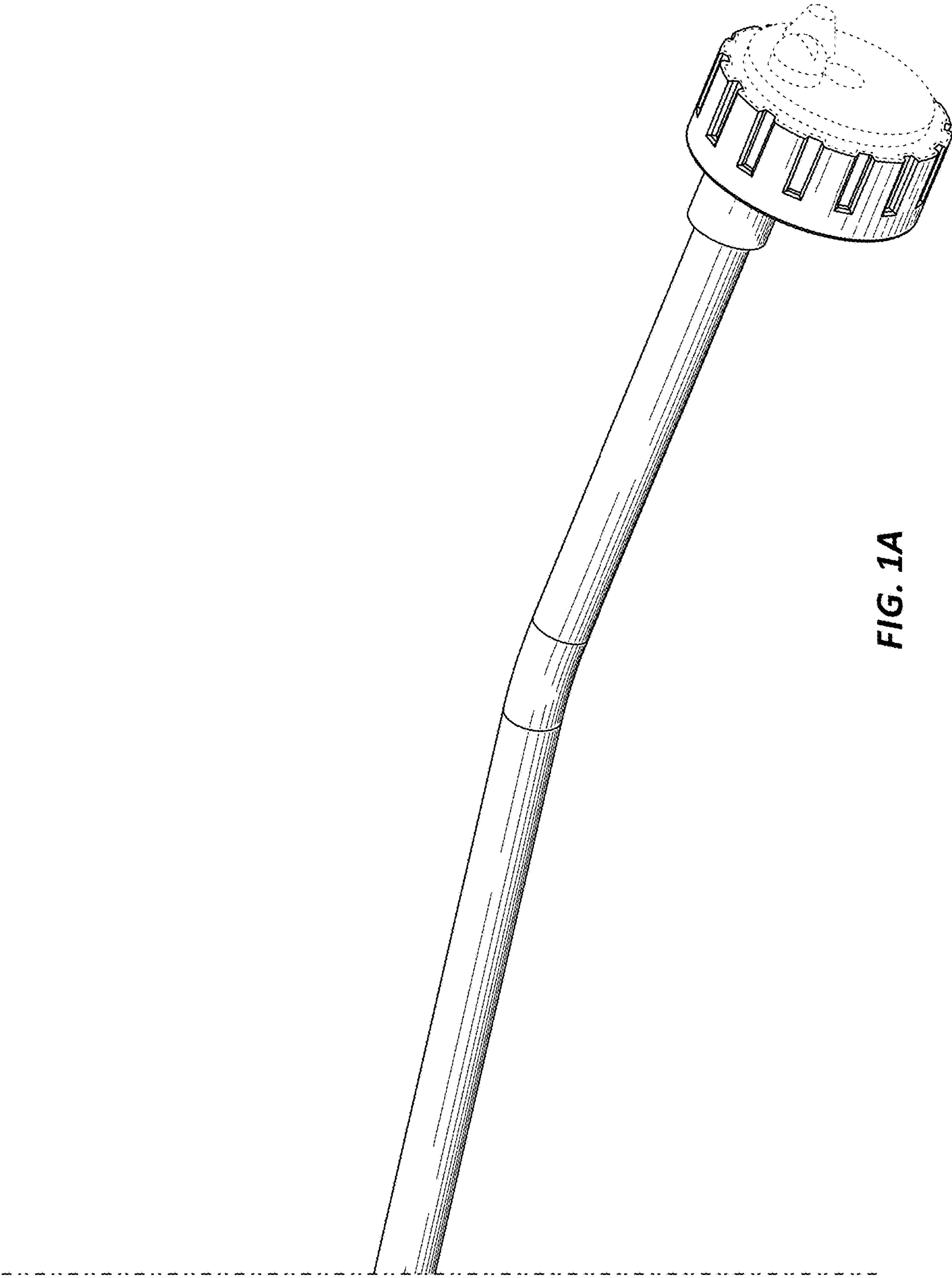


FIG. 1A

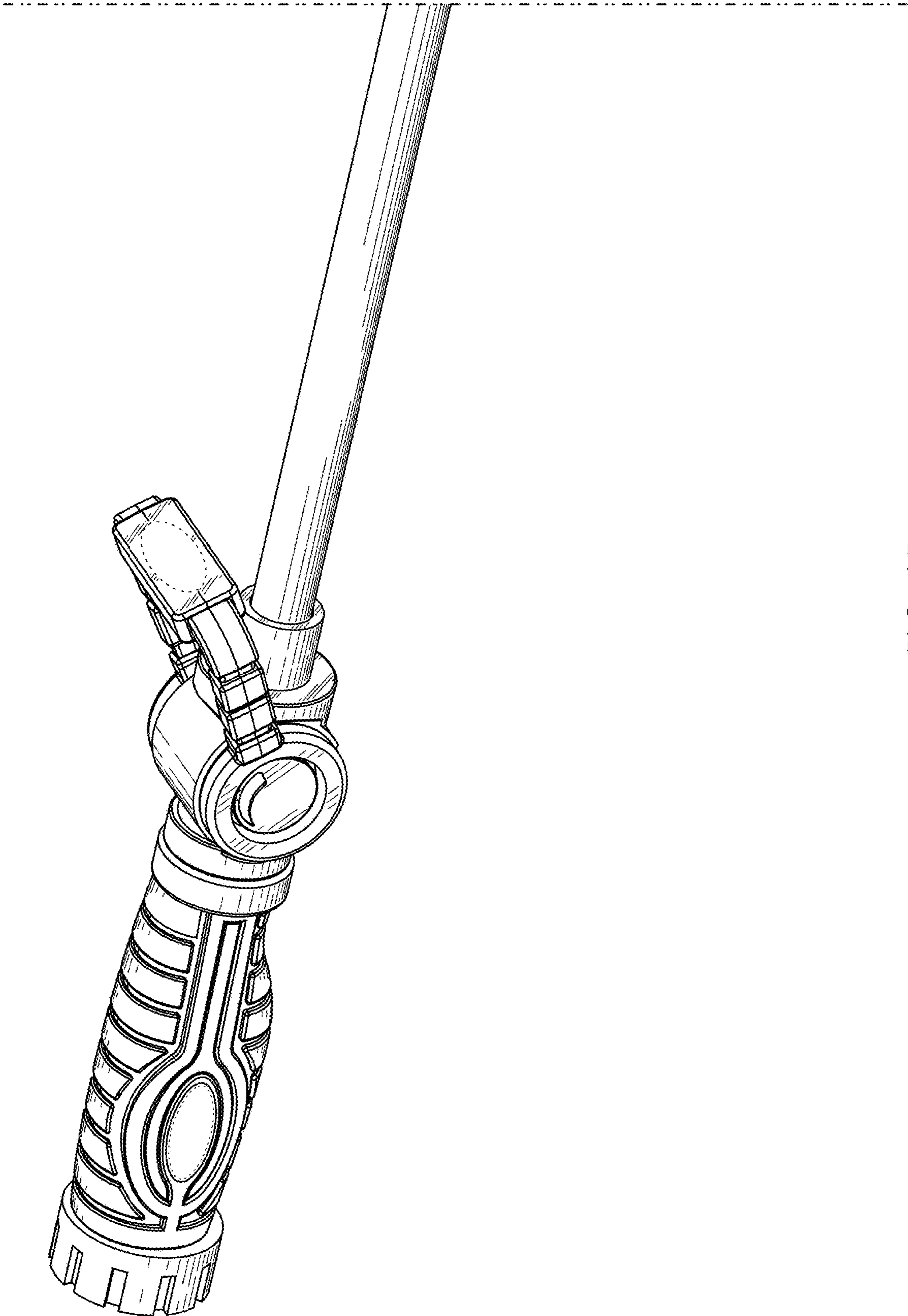


FIG. 1B

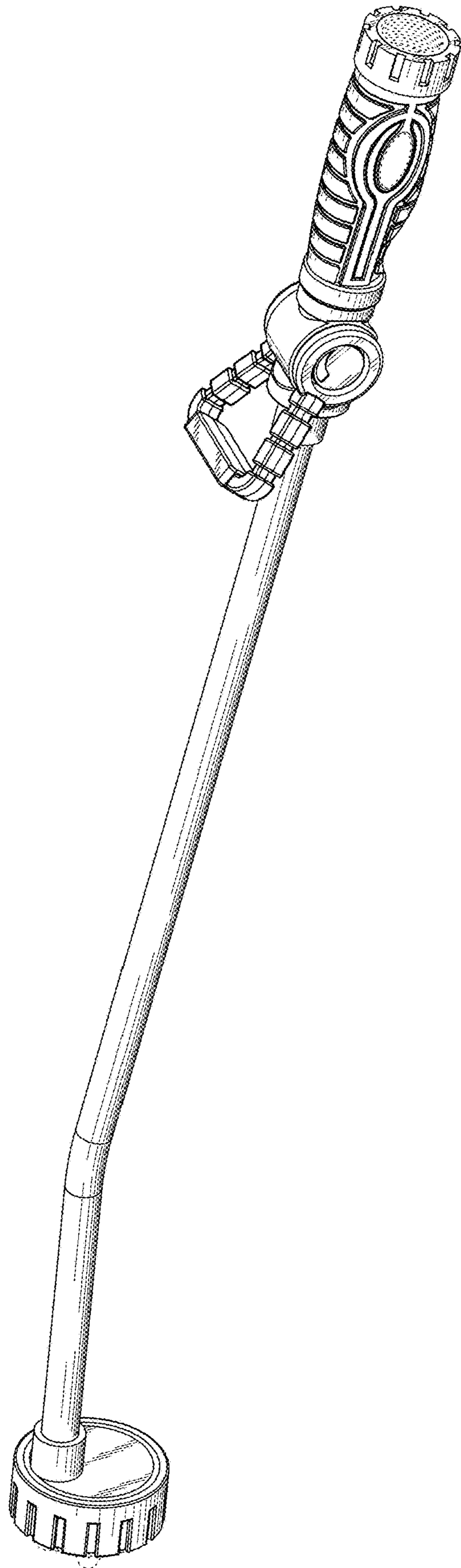


FIG. 2

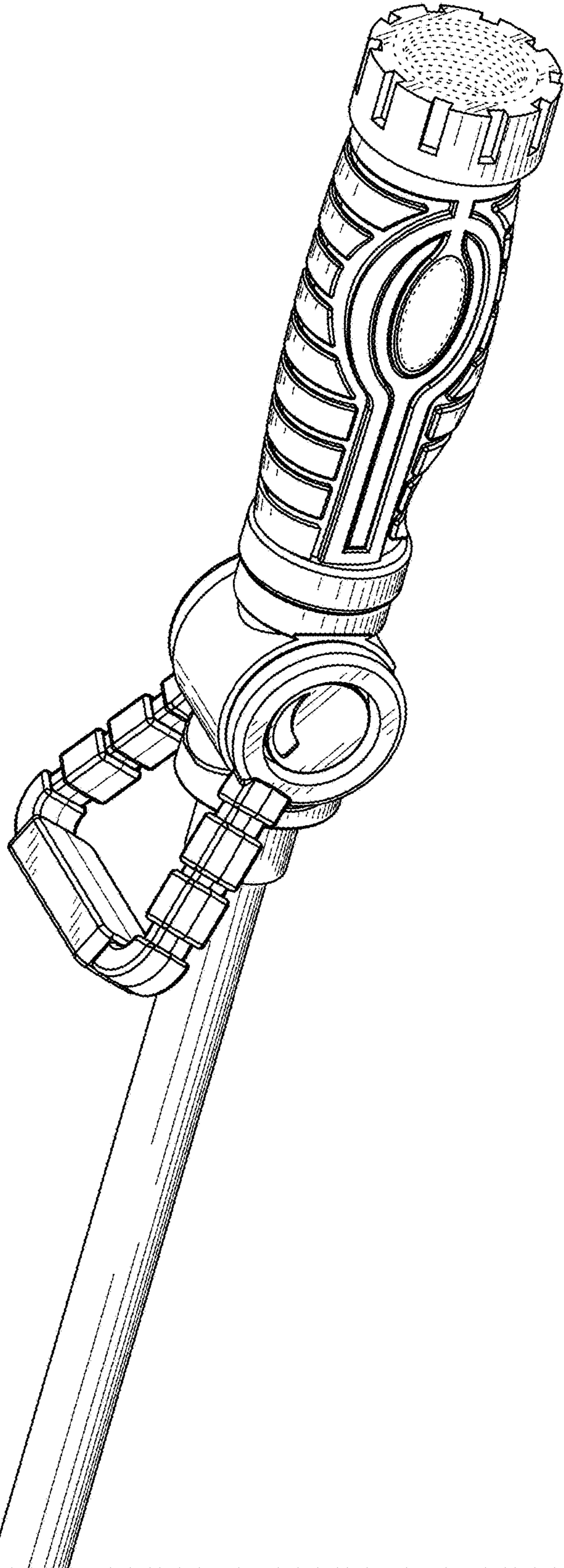


FIG. 2A

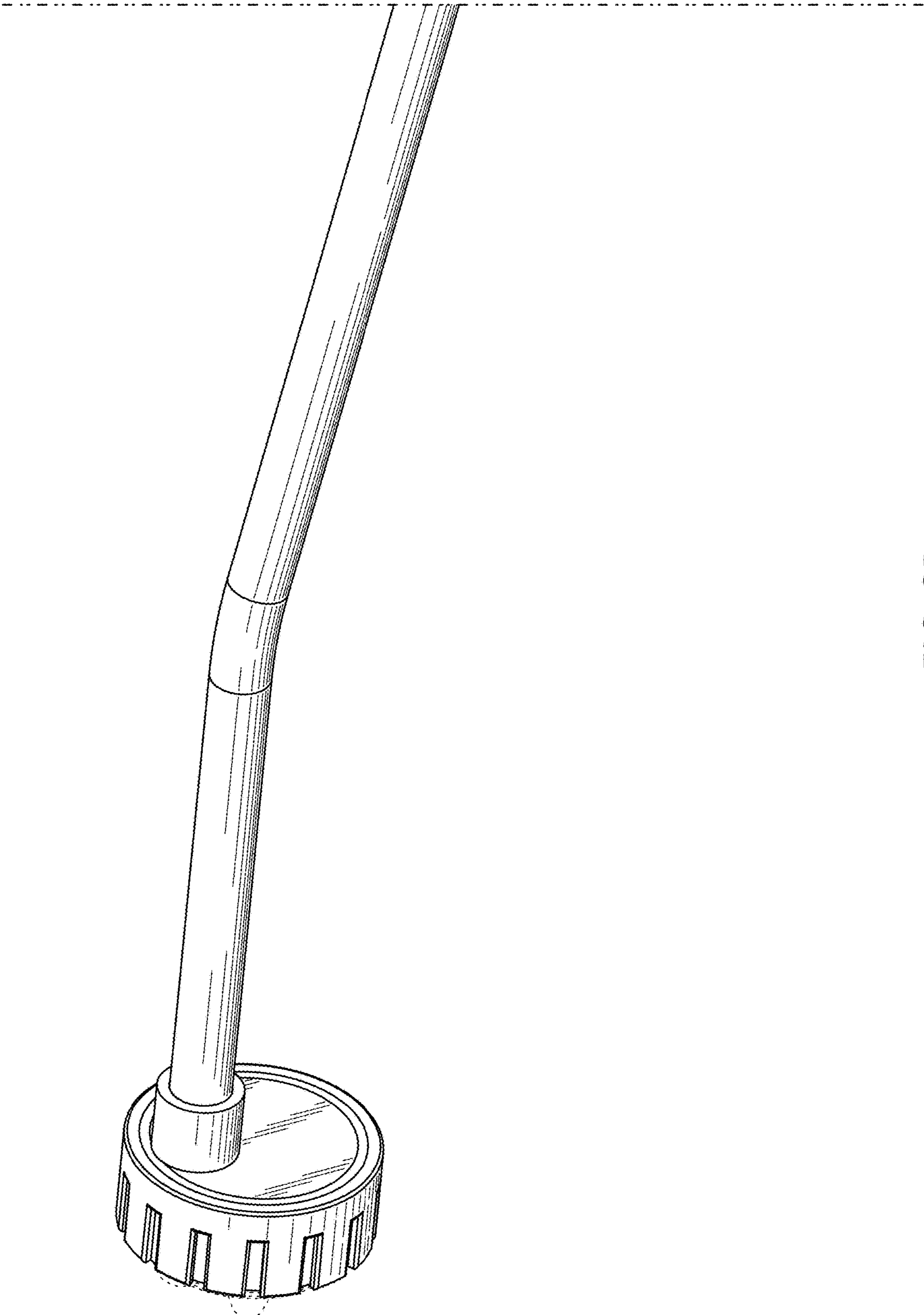


FIG. 2B

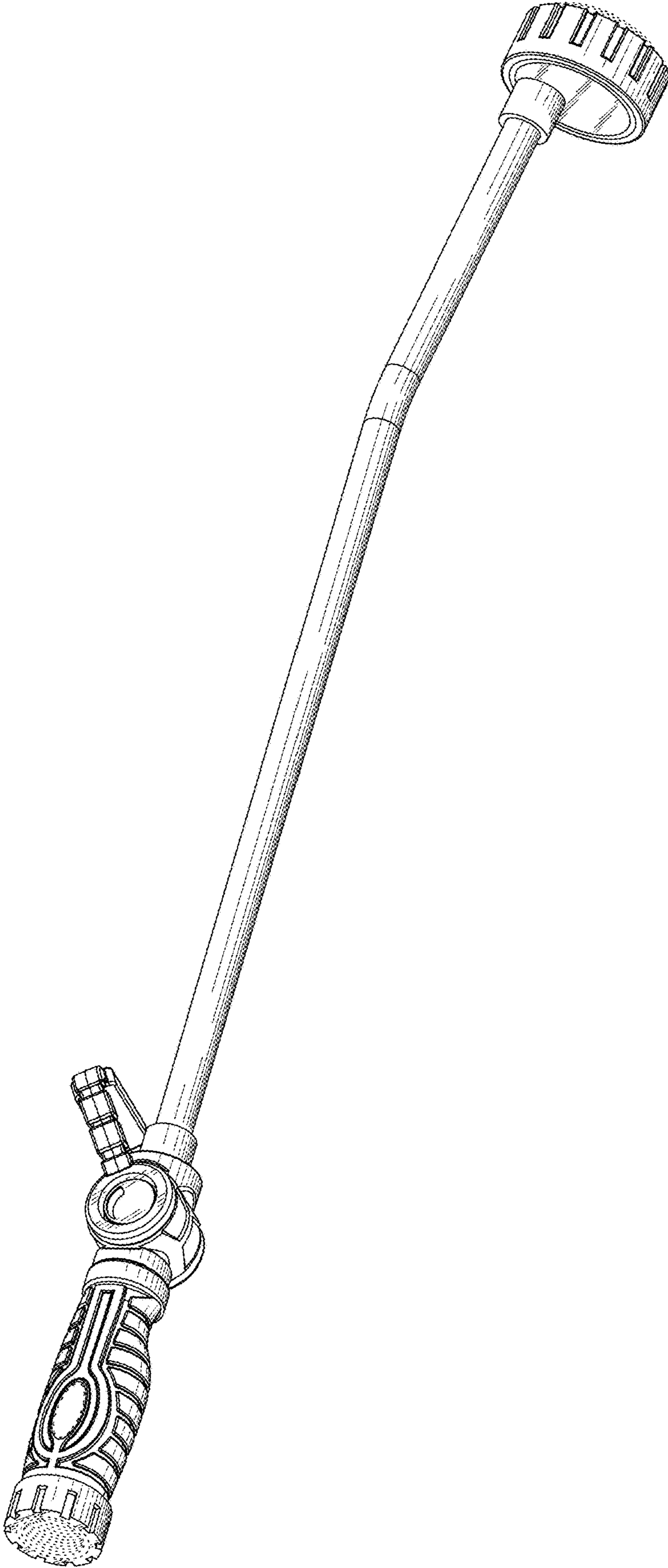


FIG. 3

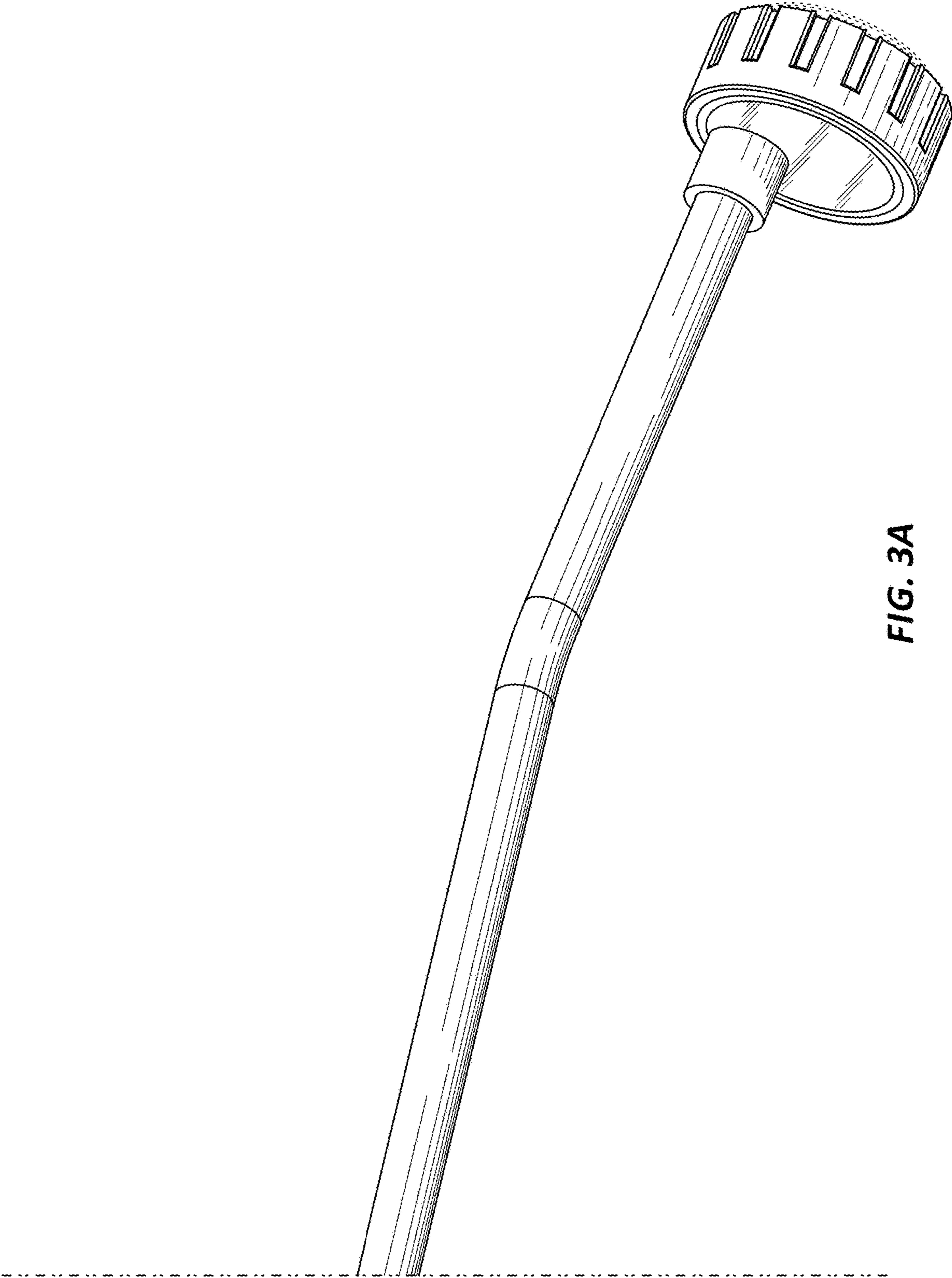


FIG. 3A

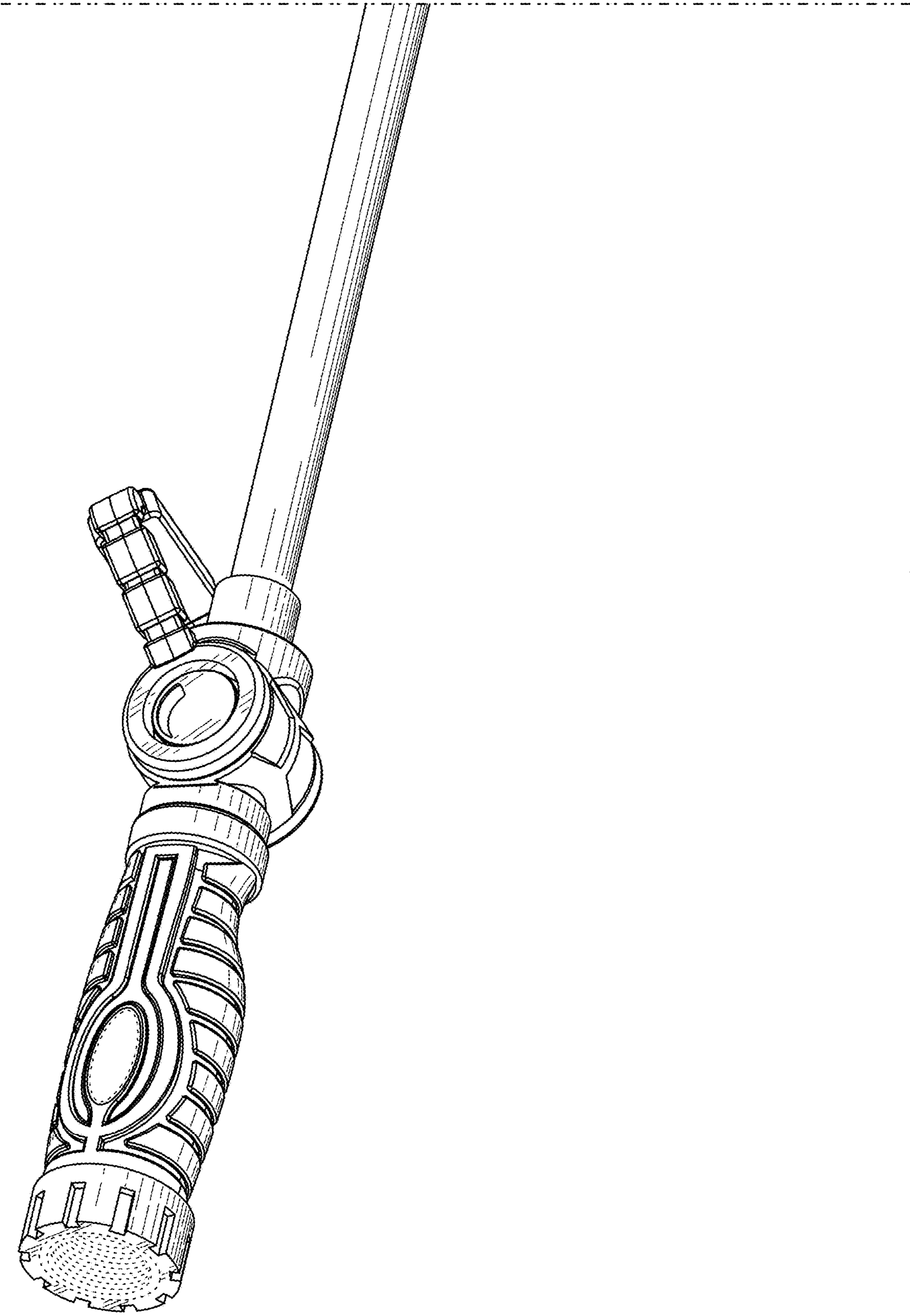


FIG. 3B

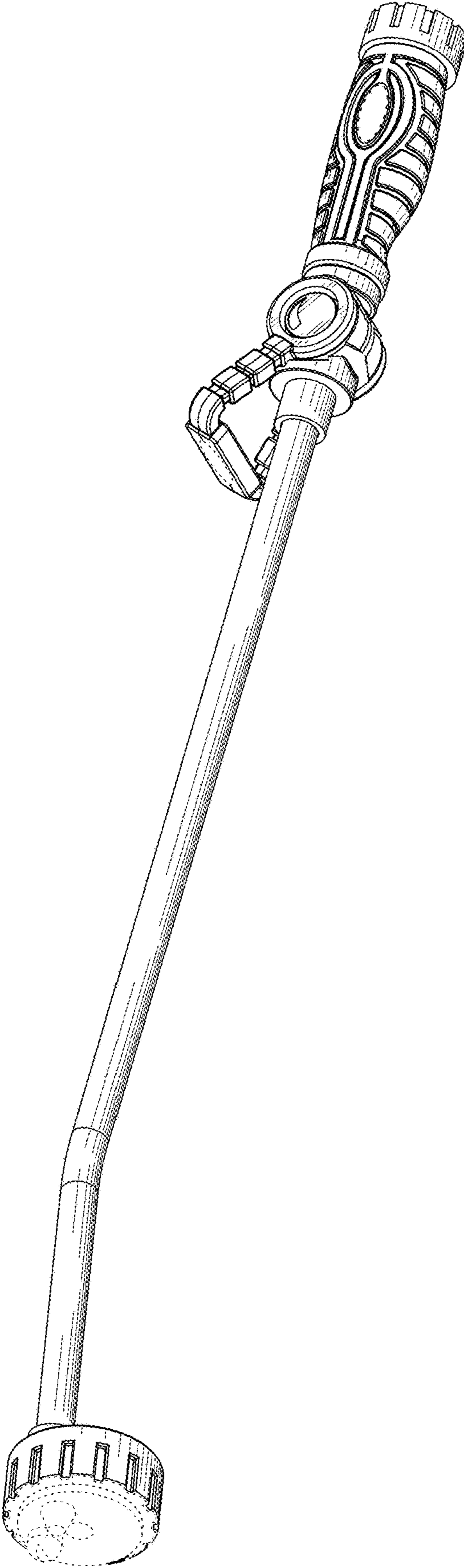


FIG. 4

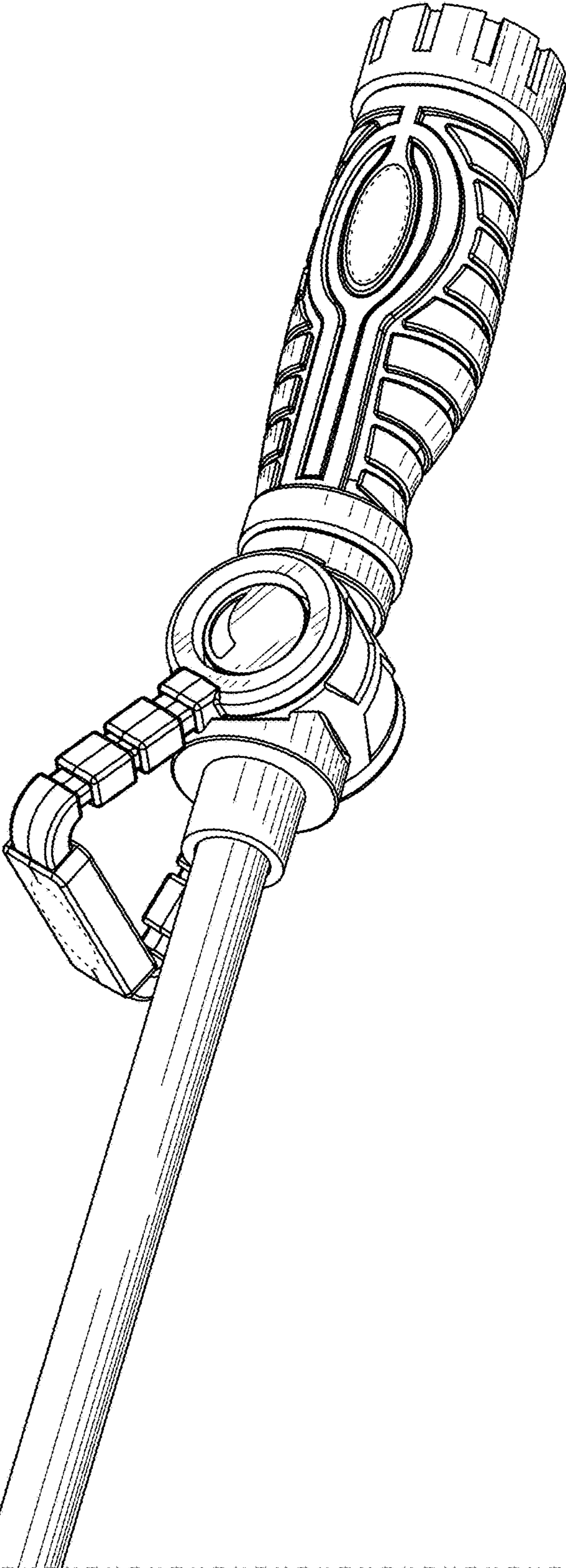


FIG. 4A

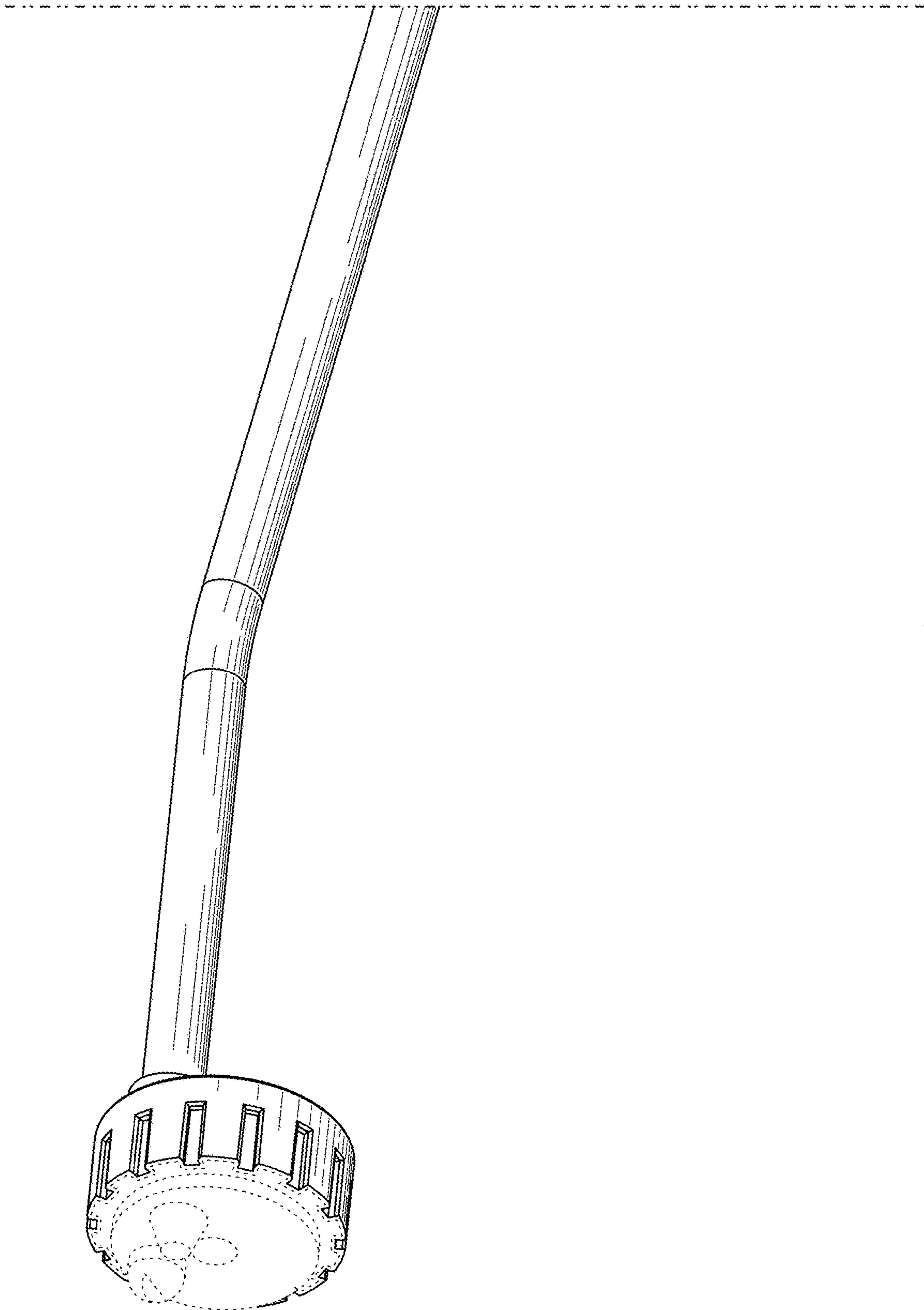


FIG. 4B

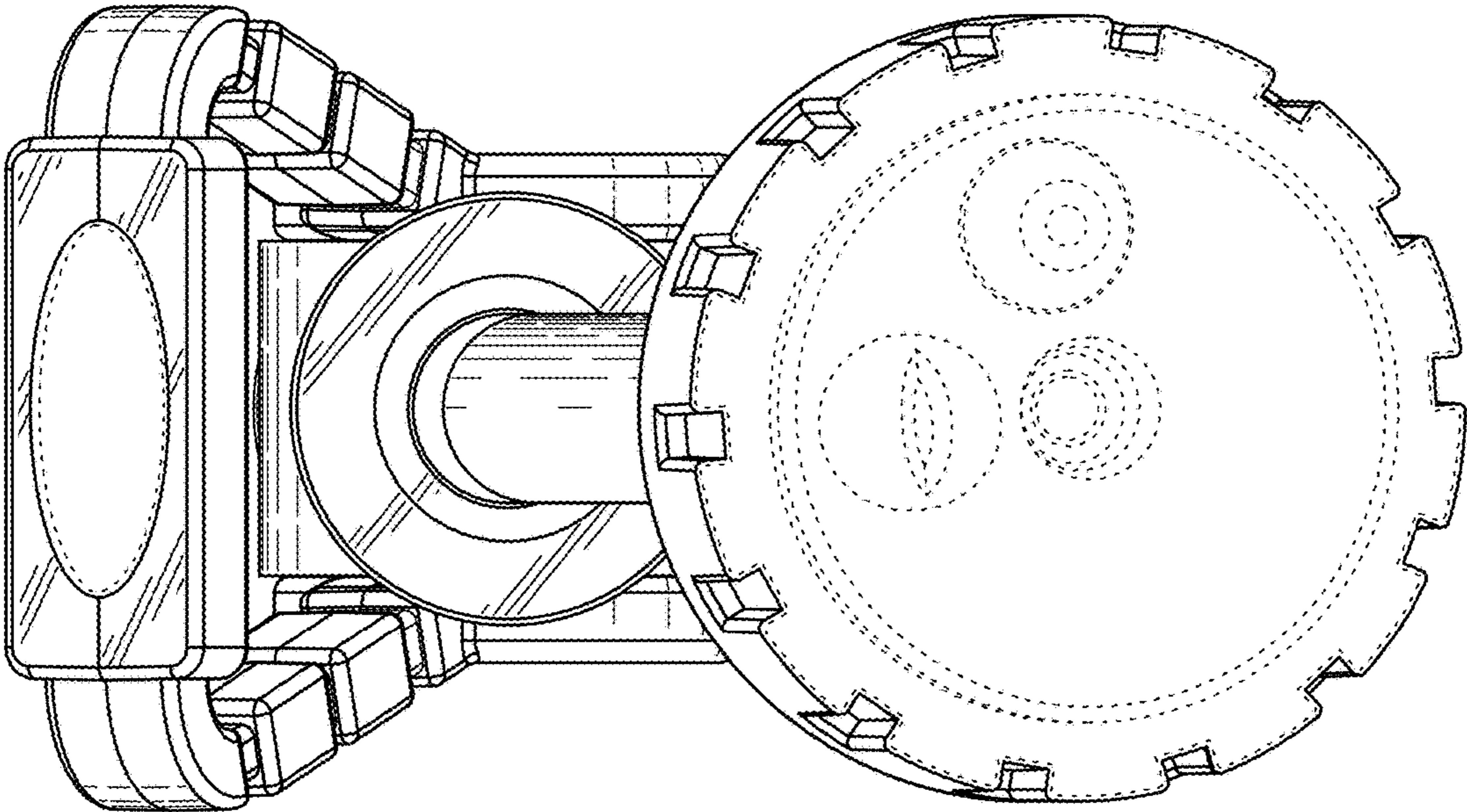


FIG. 5

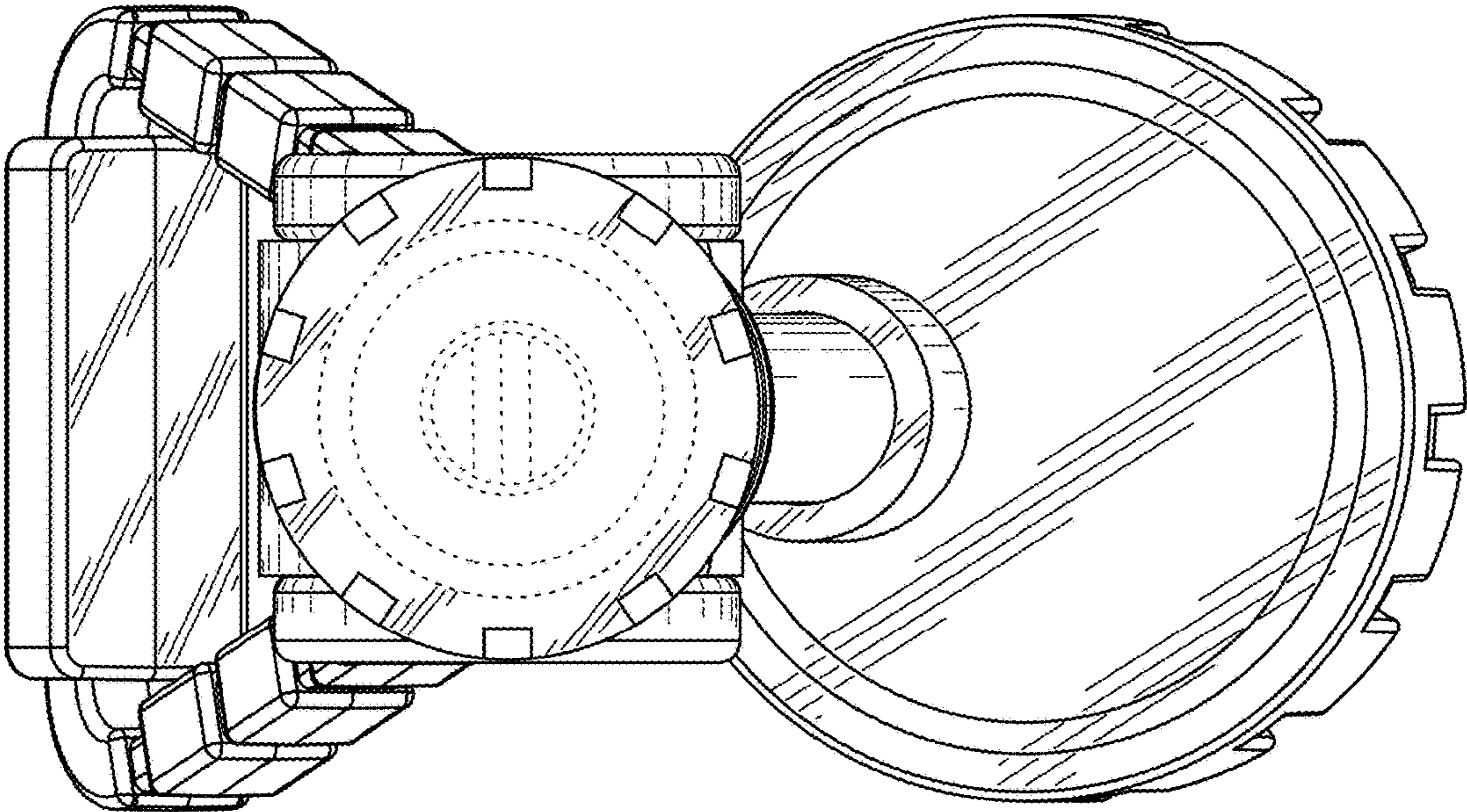


FIG. 6

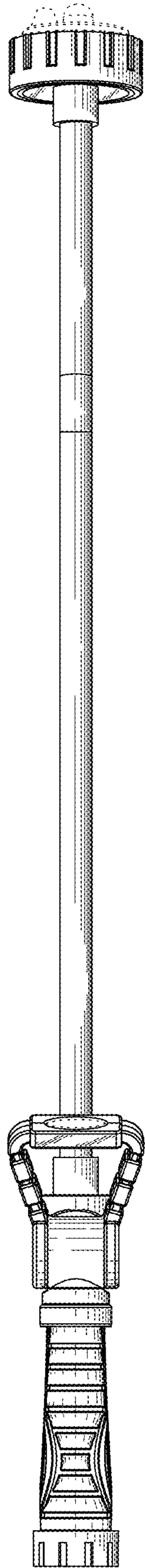


FIG. 7

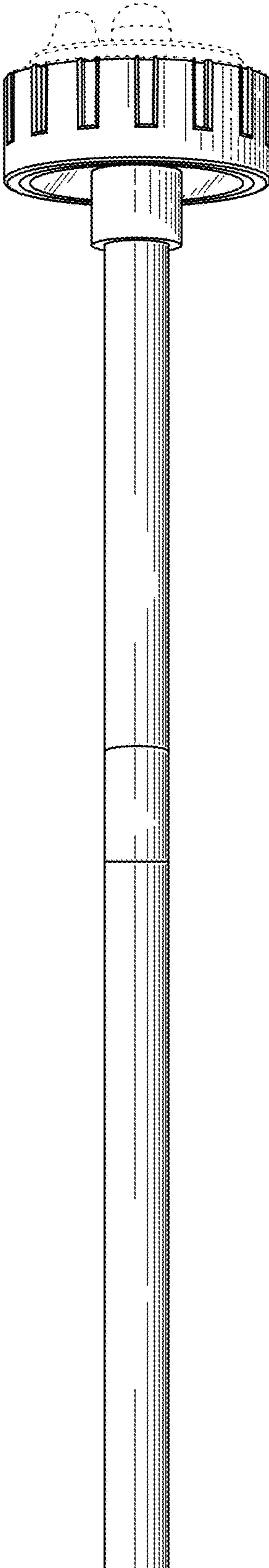


FIG. 7A

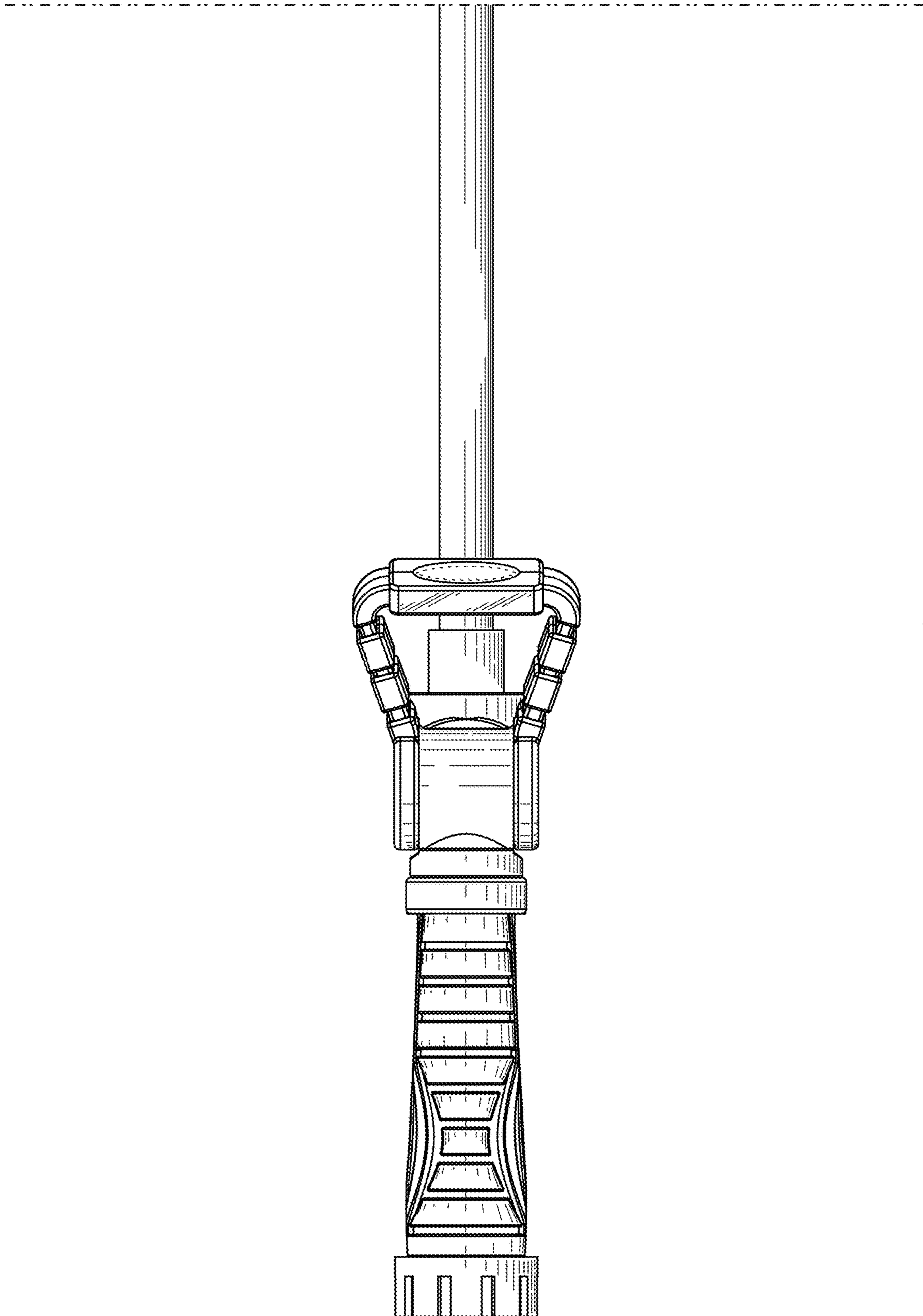


FIG. 7B

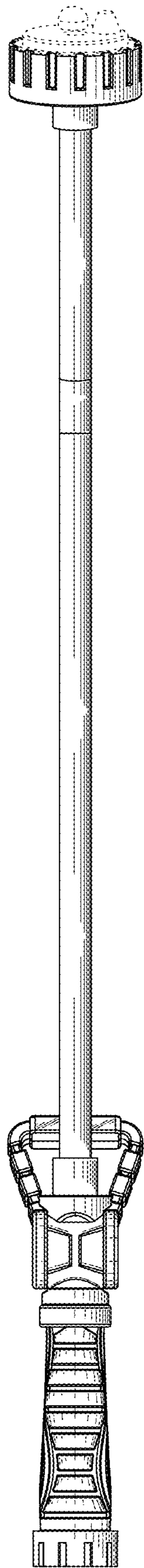


FIG. 8

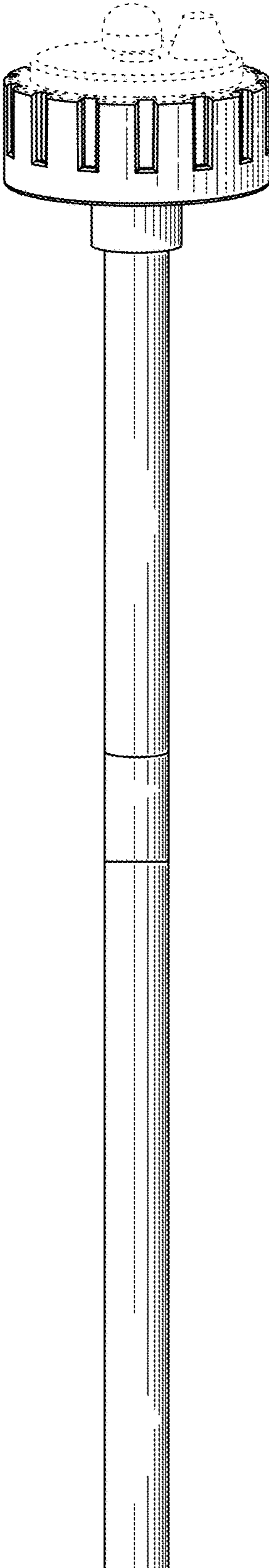


FIG. 8A

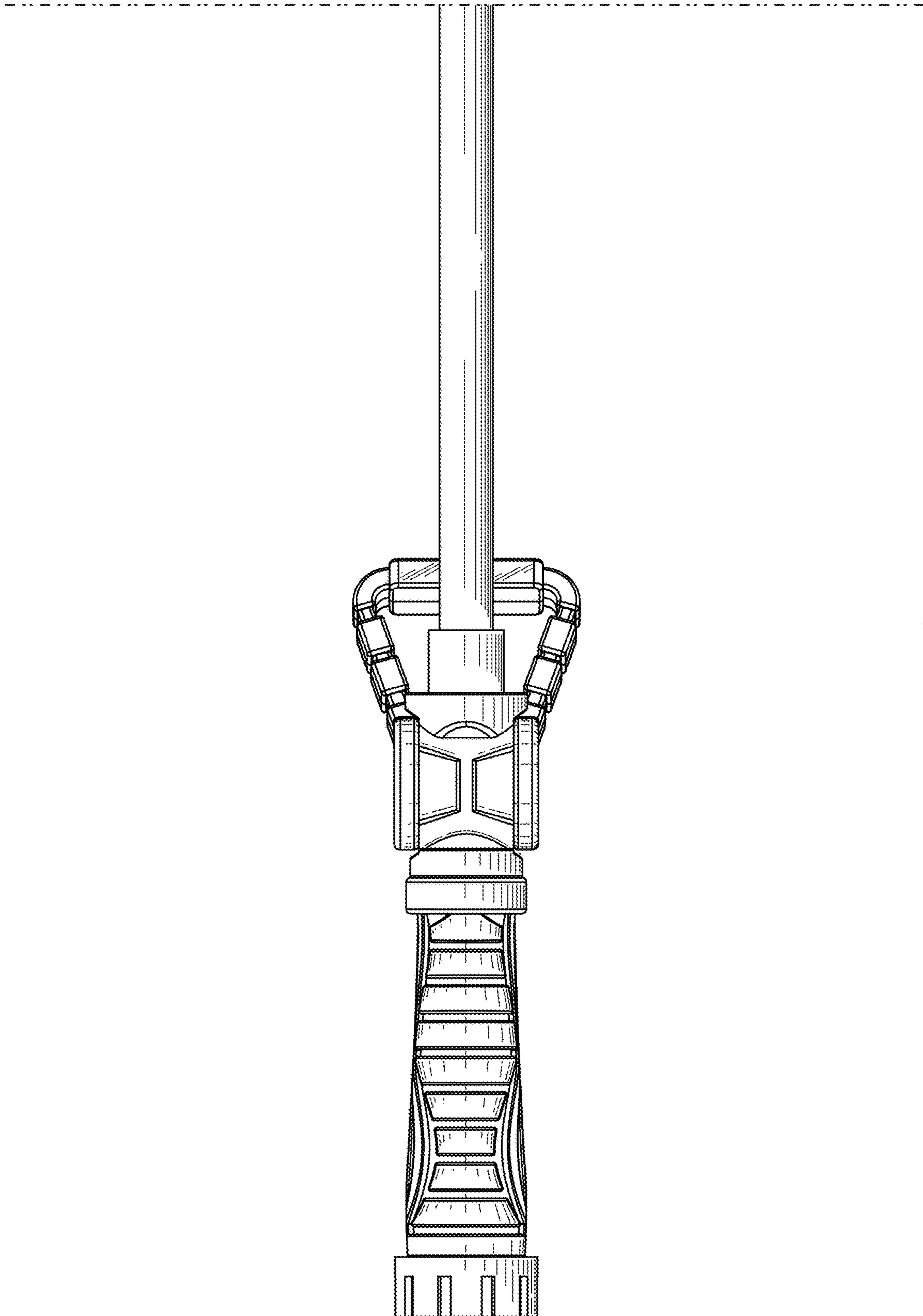


FIG. 8B

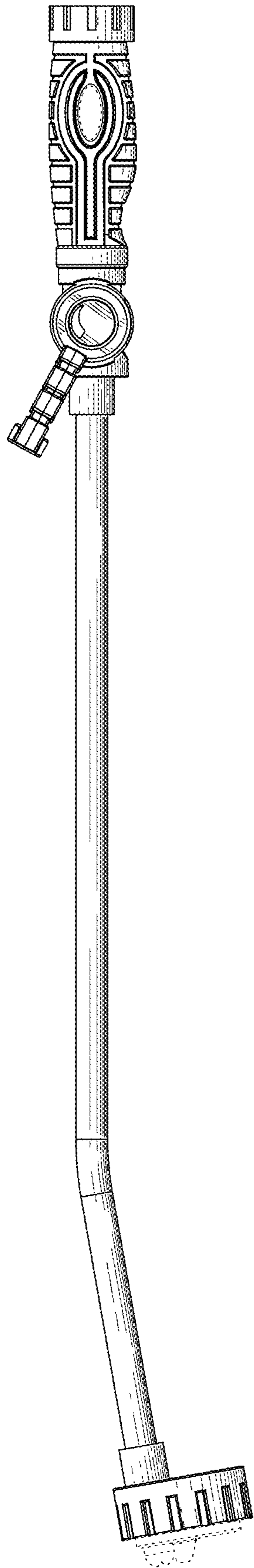


FIG. 9

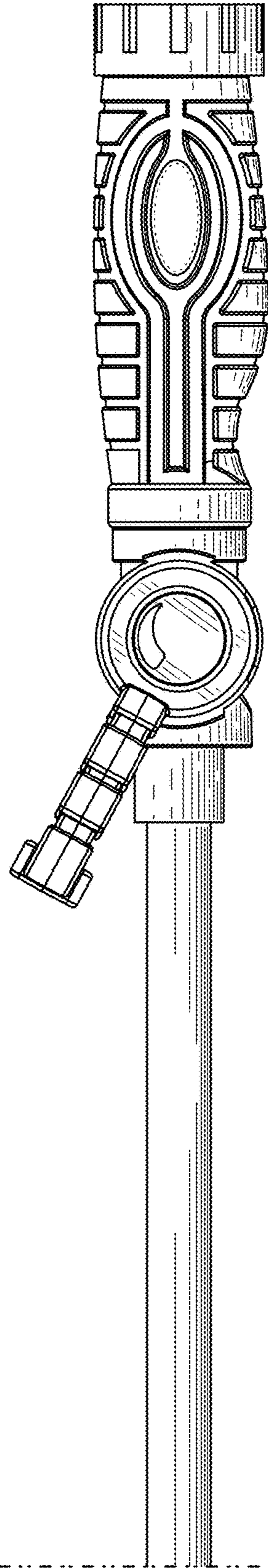


FIG. 9A

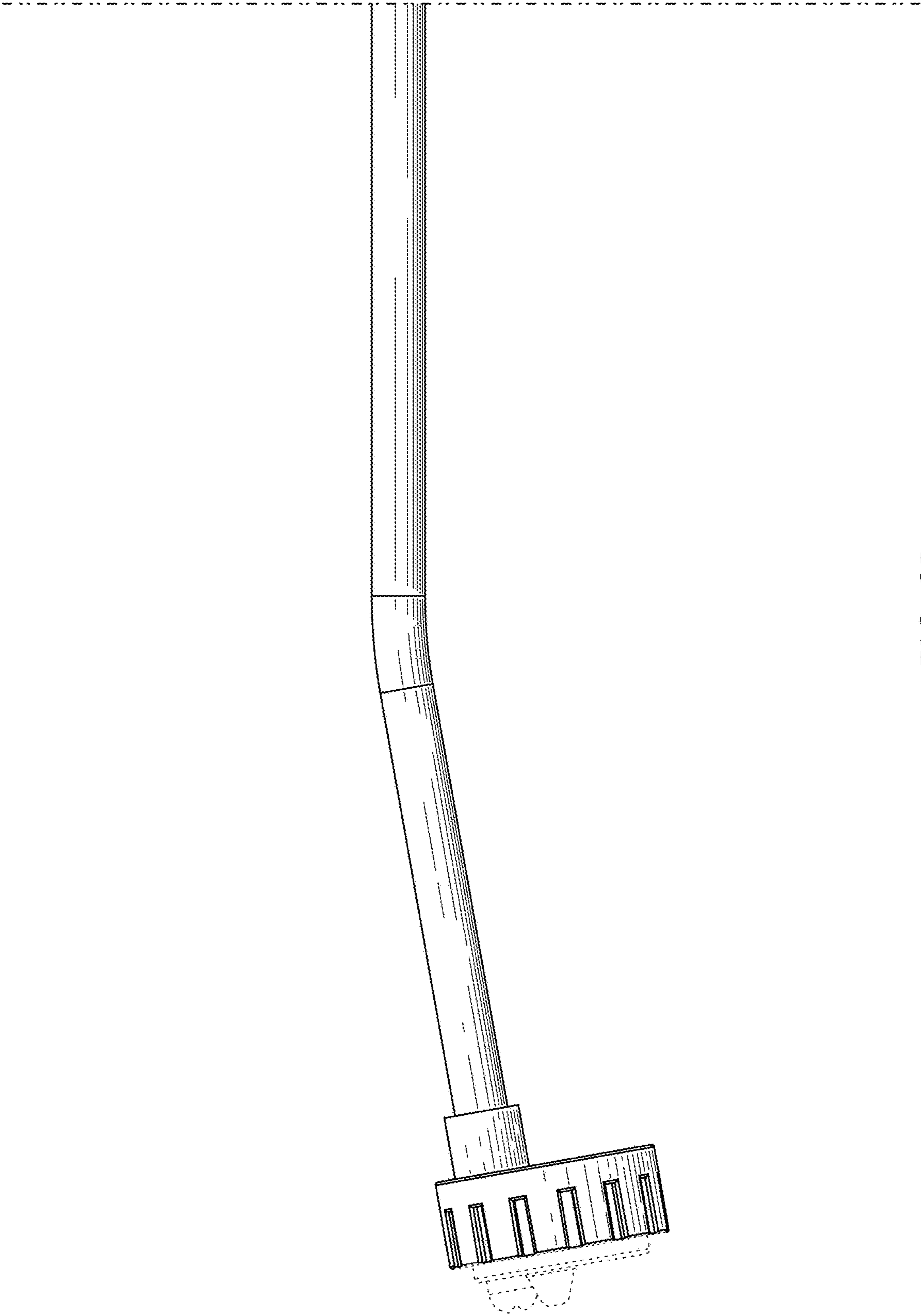


FIG. 9B

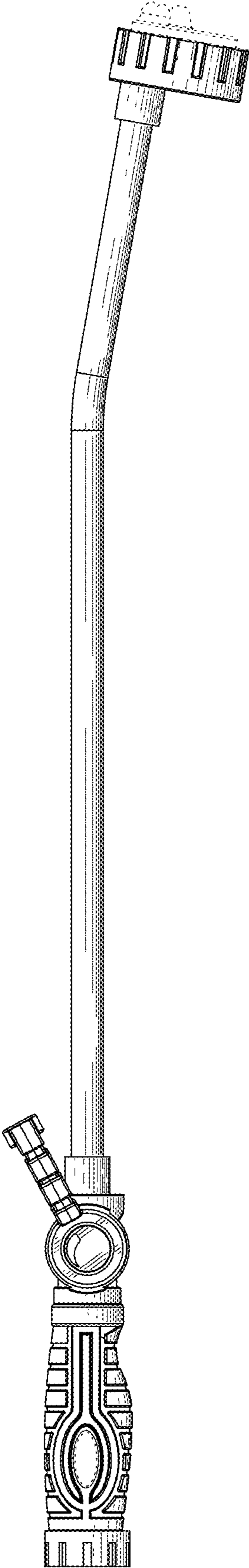


FIG. 10

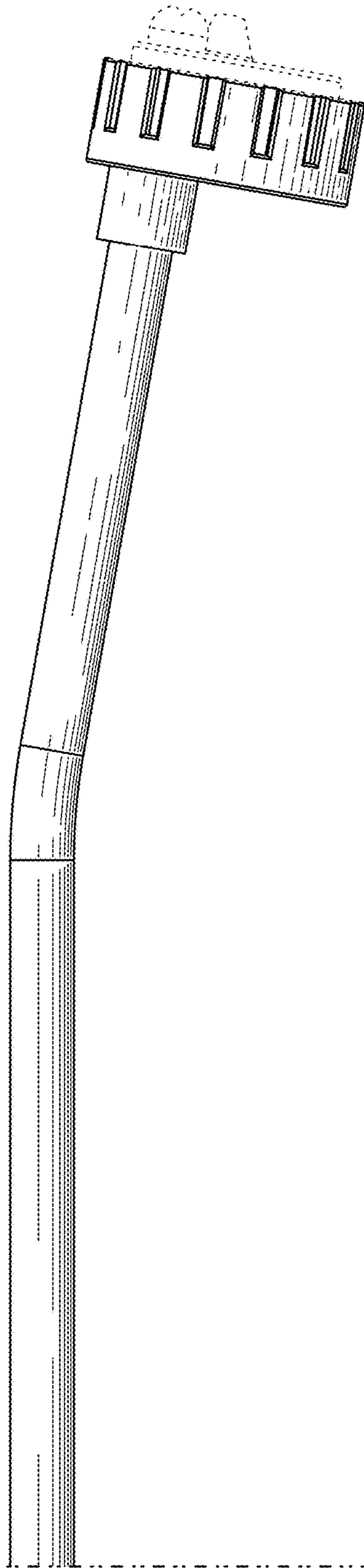


FIG. 10A

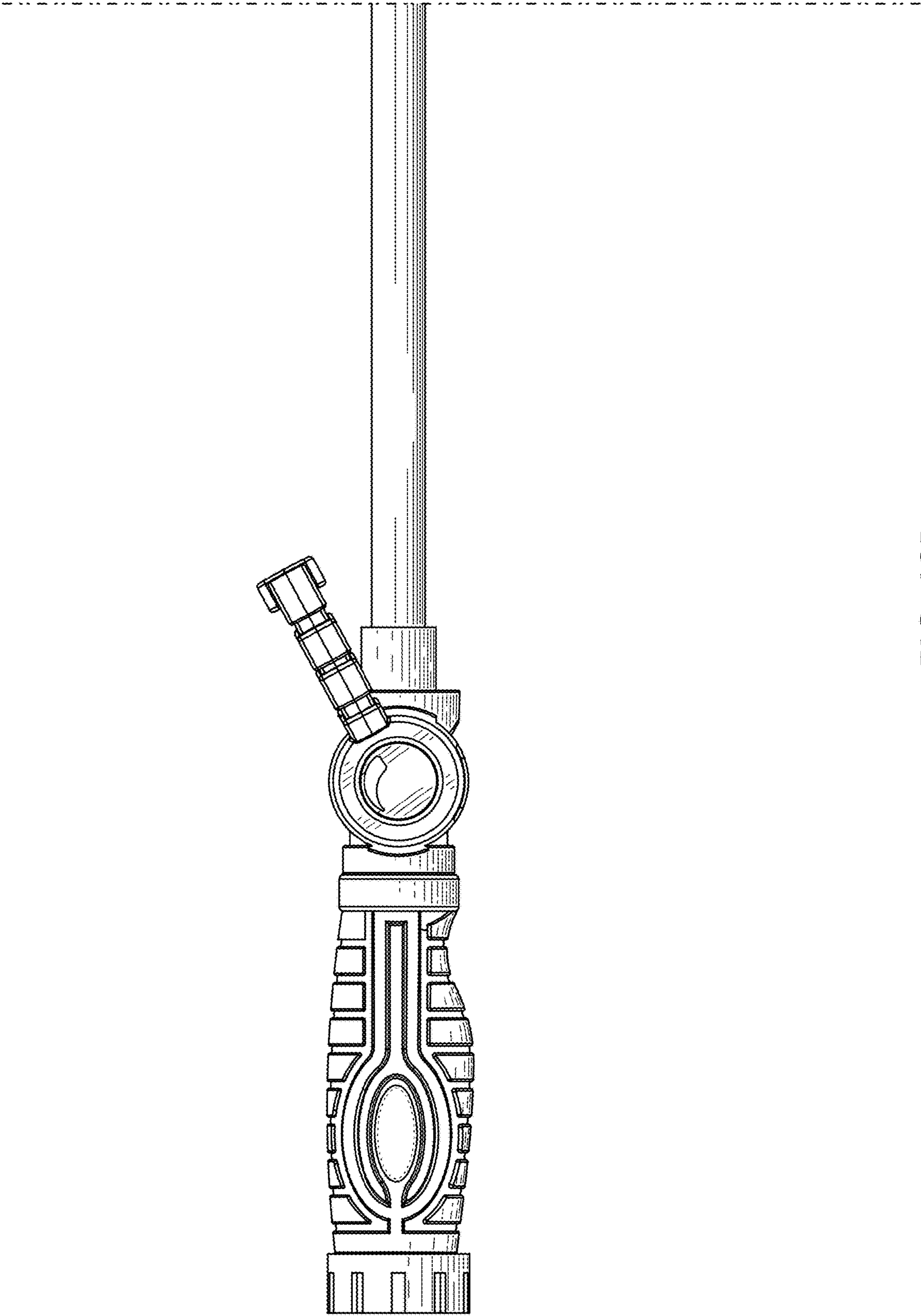


FIG. 10B

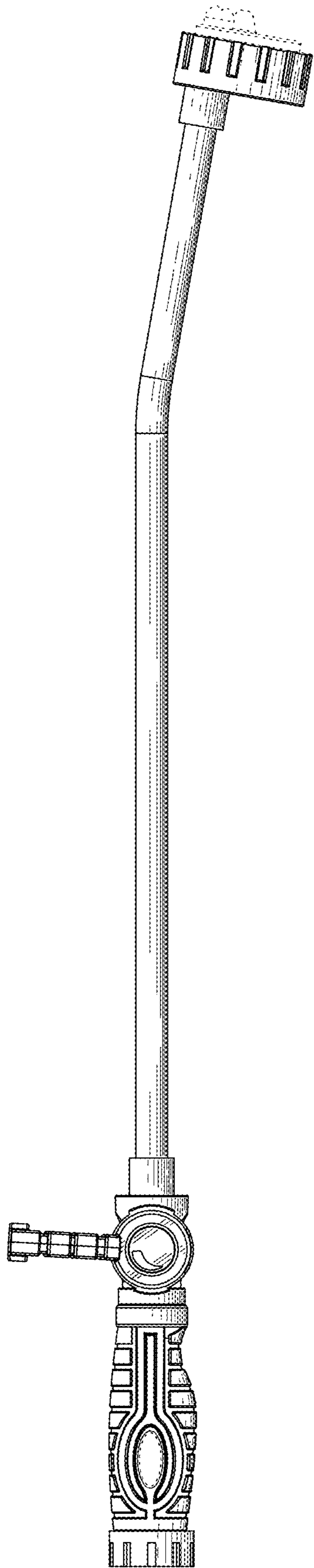


FIG. 11

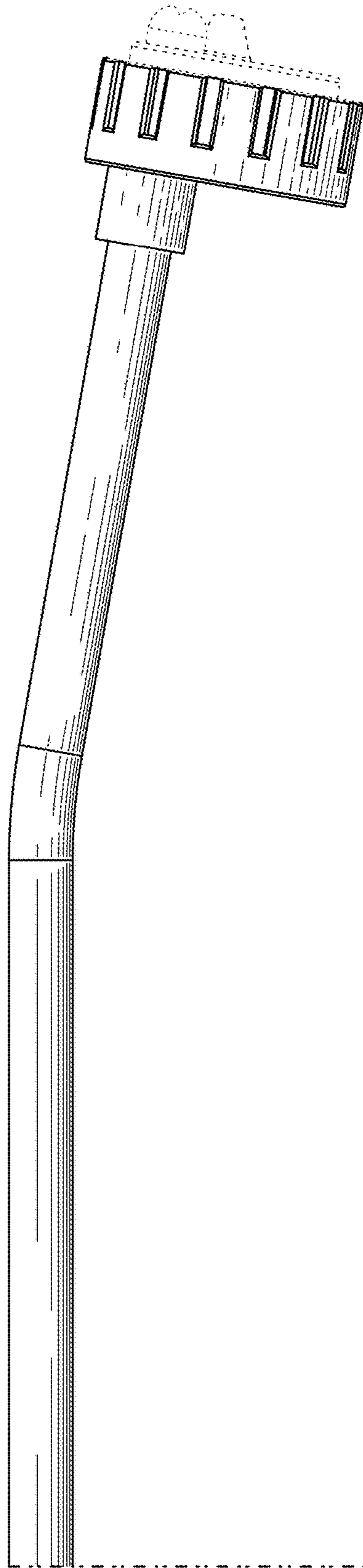


FIG. 11A

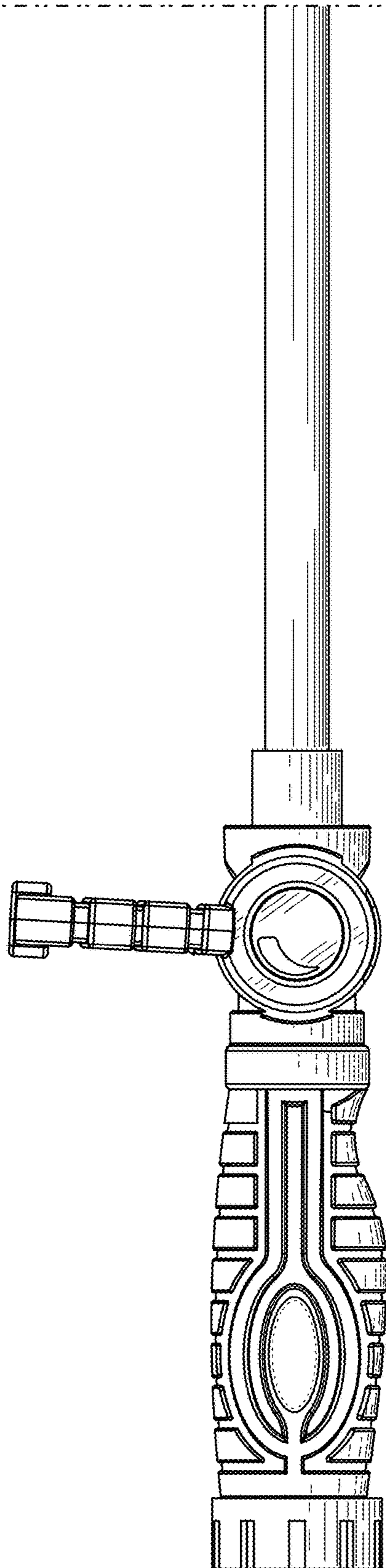


FIG. 11B

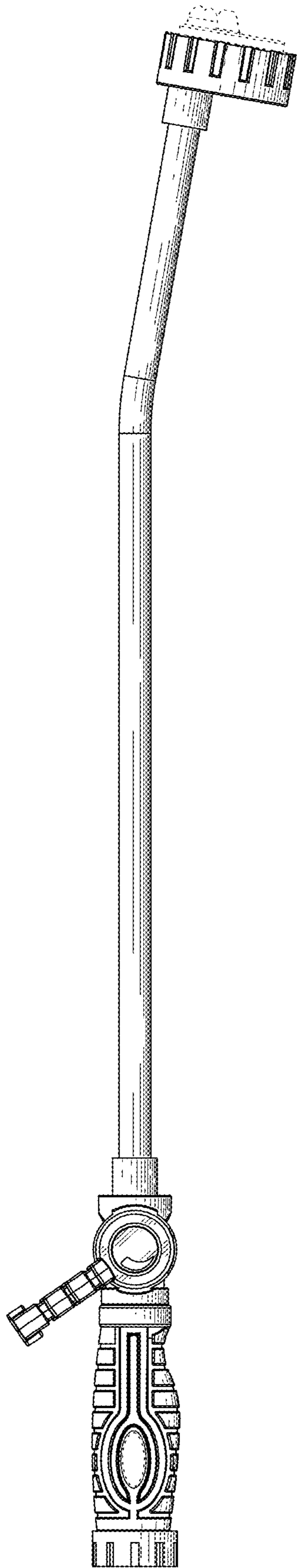


FIG. 12

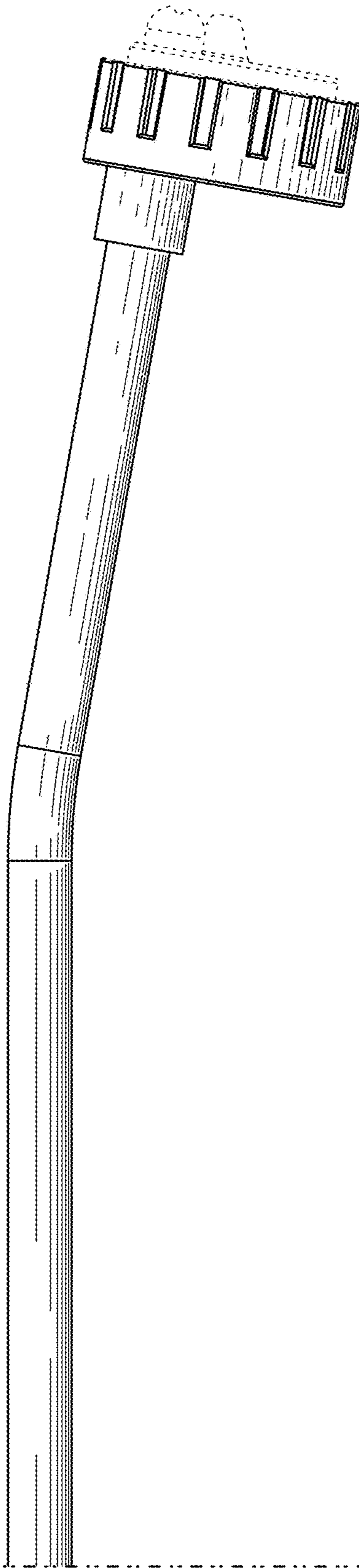


FIG. 12A

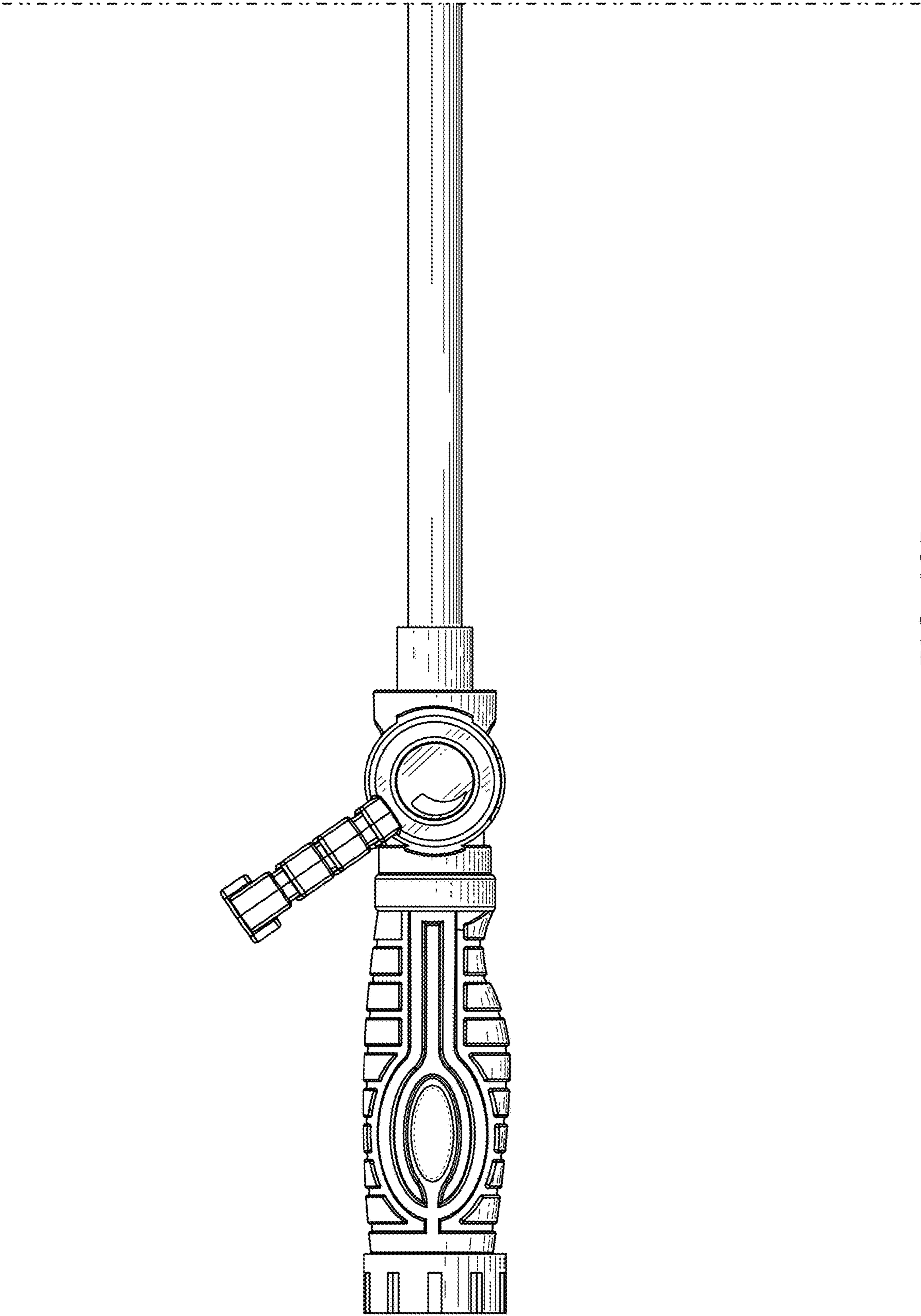


FIG. 12B