



US00D945562S

(12) **United States Design Patent**  
**Yang et al.**

(10) **Patent No.:** **US D945,562 S**  
(45) **Date of Patent:** **\*\* Mar. 8, 2022**

(54) **SPRAY GUN**  
(71) Applicant: **Zhejiang Prulde Electric Appliance Co., Ltd., Zhejiang (CN)**  
(72) Inventors: **Weiming Yang, Zhejiang (CN); Ting Han, Zhejiang (CN)**  
(73) Assignee: **Zhejiang Prulde Electric Appliance Co., Ltd., Zhejiang (CN)**  
(\*\*) Term: **15 Years**

5,622,480 A \* 4/1997 Walsh ..... F04B 53/16  
417/234  
5,725,364 A \* 3/1998 Mirazita ..... B05B 9/0403  
137/884  
D435,048 S \* 12/2000 Breerer ..... D15/7  
6,435,846 B1 \* 8/2002 Cooper ..... F04B 17/03  
417/415  
6,488,846 B1 \* 12/2002 Marangi ..... B01D 29/15  
210/232  
7,240,909 B2 \* 7/2007 Robens ..... B05B 9/007  
280/47.24  
D580,515 S \* 11/2008 Wrobel ..... D23/225  
D596,706 S \* 7/2009 Gundersen ..... D23/225  
(Continued)

(21) Appl. No.: **29/741,017**

(22) Filed: **Jul. 9, 2020**

(30) **Foreign Application Priority Data**

Jan. 9, 2020 (CN) ..... 202030013496.2

(51) **LOC (13) Cl.** ..... **23-01**

(52) **U.S. Cl.**  
USPC ..... **D23/225**

(58) **Field of Classification Search**  
USPC ..... D23/207, 213, 223, 225, 226, 356, 360;  
D15/9; D32/53  
CPC .. B05B 5/025; B05B 5/03; B05B 5/16; B05B  
5/1691; B05B 7/0018; B05B 7/0093;  
B05B 7/02; B05B 7/06; B05B 7/062;  
B05B 7/064; B05B 7/12; B05B 7/129;  
B05B 7/24; B05B 7/2475; B05B 7/2478;  
B05B 15/60; B05B 15/63  
See application file for complete search history.

(56) **References Cited**

**U.S. PATENT DOCUMENTS**

5,064,123 A \* 11/1991 Aiello ..... B05B 1/3053  
239/706  
5,292,232 A \* 3/1994 Krohn ..... F04B 49/022  
200/82 C  
D377,799 S \* 2/1997 Kruzel ..... D15/7

**OTHER PUBLICATIONS**

Titan ControlMax 1500 0580005 Airless Paint Sprayer, May 1, 2017, Amazon, site visited Aug. 30, 2021: <https://www.amazon.com/dp/B06XR8ND97/> (Year: 2017).\*  
(Continued)

*Primary Examiner* — Jack Reickel  
*Assistant Examiner* — Bobby W Jones, II  
(74) *Attorney, Agent, or Firm* — JCIP Global Inc.

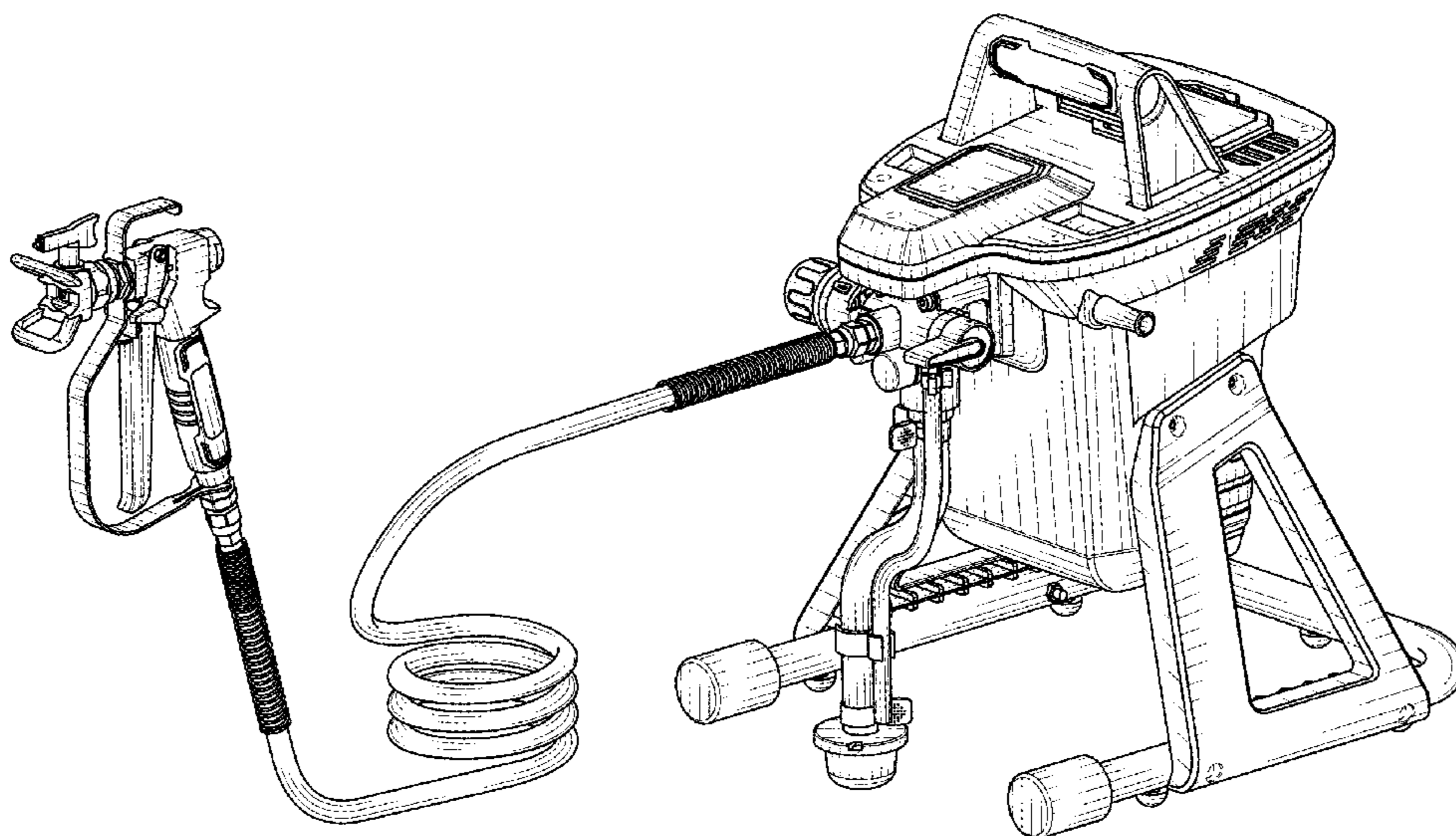
(57) **CLAIM**

The ornamental design for a spray gun, as shown and described.

**DESCRIPTION**

FIG. 1 is a perspective view of a spray gun showing our new design;  
FIG. 2 is a front view thereof;  
FIG. 3 is a rear view thereof;  
FIG. 4 is a left side view thereof;  
FIG. 5 is a right side view thereof;  
FIG. 6 is a top view thereof; and,  
FIG. 7 is a bottom view thereof.  
The broken line showing of portions of the spray gun forms no part of the claimed design.

**1 Claim, 6 Drawing Sheets**



(56)

**References Cited**

## U.S. PATENT DOCUMENTS

7,963,532 B2 \* 6/2011 Feitel ..... B62B 1/12  
280/47.18  
D646,752 S \* 10/2011 Kraye ..... D23/225  
8,651,397 B2 \* 2/2014 Gaddis ..... B05B 9/0403  
239/154  
8,979,001 B2 \* 3/2015 Peterson ..... B05B 9/01  
239/146  
D792,946 S \* 7/2017 Johnston ..... D23/225  
2007/0186813 A1 \* 8/2007 Smith ..... B05D 1/02  
106/281.1  
2010/0224699 A1 \* 9/2010 Gaddis ..... B05B 15/33  
239/146  
2011/0253229 A1 \* 10/2011 Mattson ..... B05B 7/2491  
137/355.16  
2014/0263754 A1 \* 9/2014 Nushart ..... B05B 1/1654  
239/442  
2017/0211568 A1 \* 7/2017 Blenkush ..... F04B 17/06  
2017/0304873 A1 \* 10/2017 Lu ..... B08B 3/026  
2018/0339074 A1 \* 11/2018 Ekerdt ..... B05B 9/042  
2019/0232308 A1 \* 8/2019 Becker ..... B05B 7/1413  
2020/0121867 A1 \* 4/2020 Wright ..... A61L 2/22  
2021/0046492 A1 \* 2/2021 Becker ..... B05B 15/63

## OTHER PUBLICATIONS

DIY Airless Paint Sprayer, Aug. 12, 2019, Amazon, site visited Aug. 30, 2021: <https://www.amazon.co.uk/dp/B07WFD9CCY/> (Year: 2019).\*

How to assemble the Airless Paint Sprayer ASG-7000, Sep. 3, 2018, YouTube, site visited Aug. 30, 2021: <https://www.youtube.com/watch?v=ukqsxD4mxo> (Year: 2018).\*

\* cited by examiner

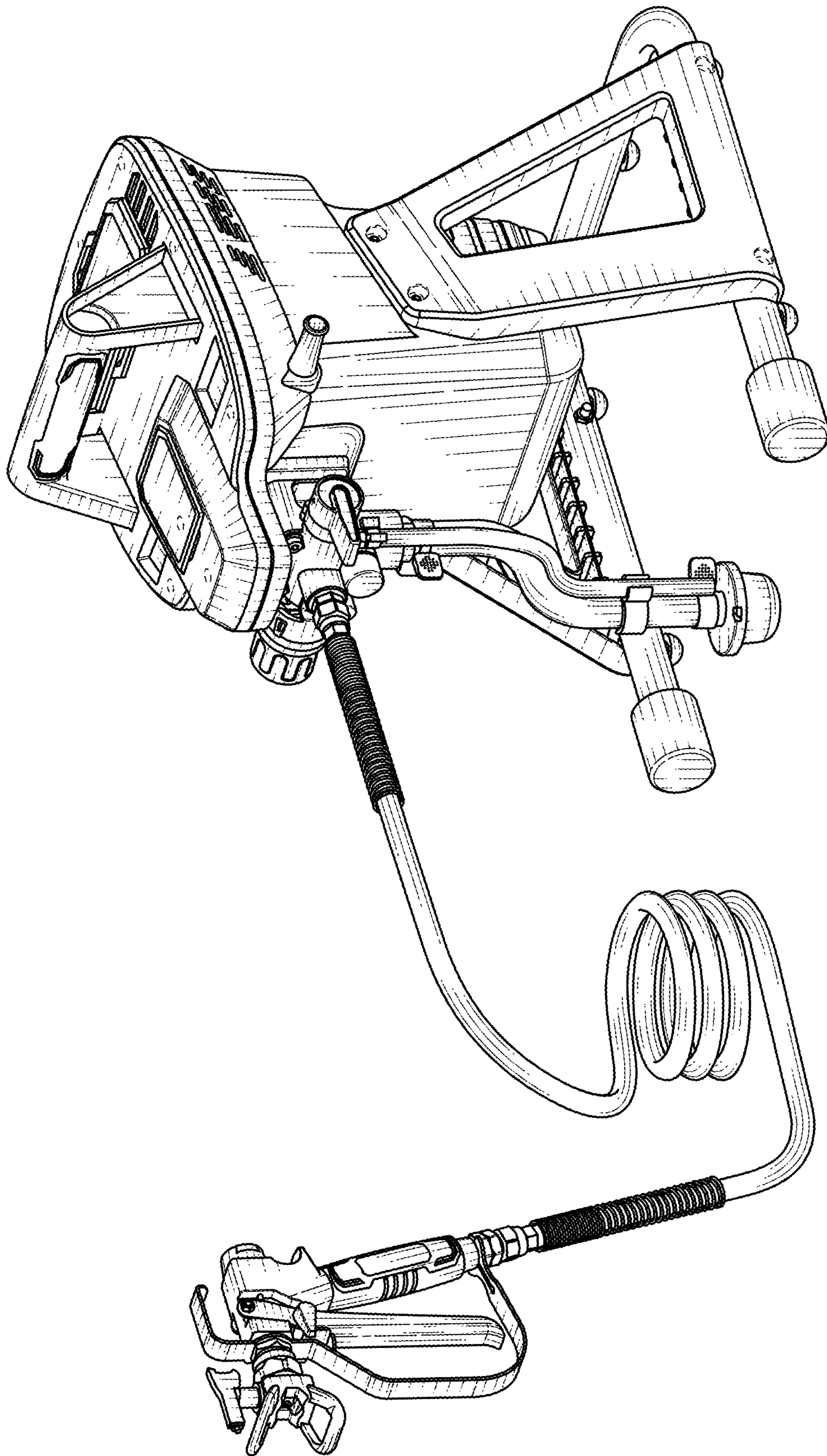


FIG. 1

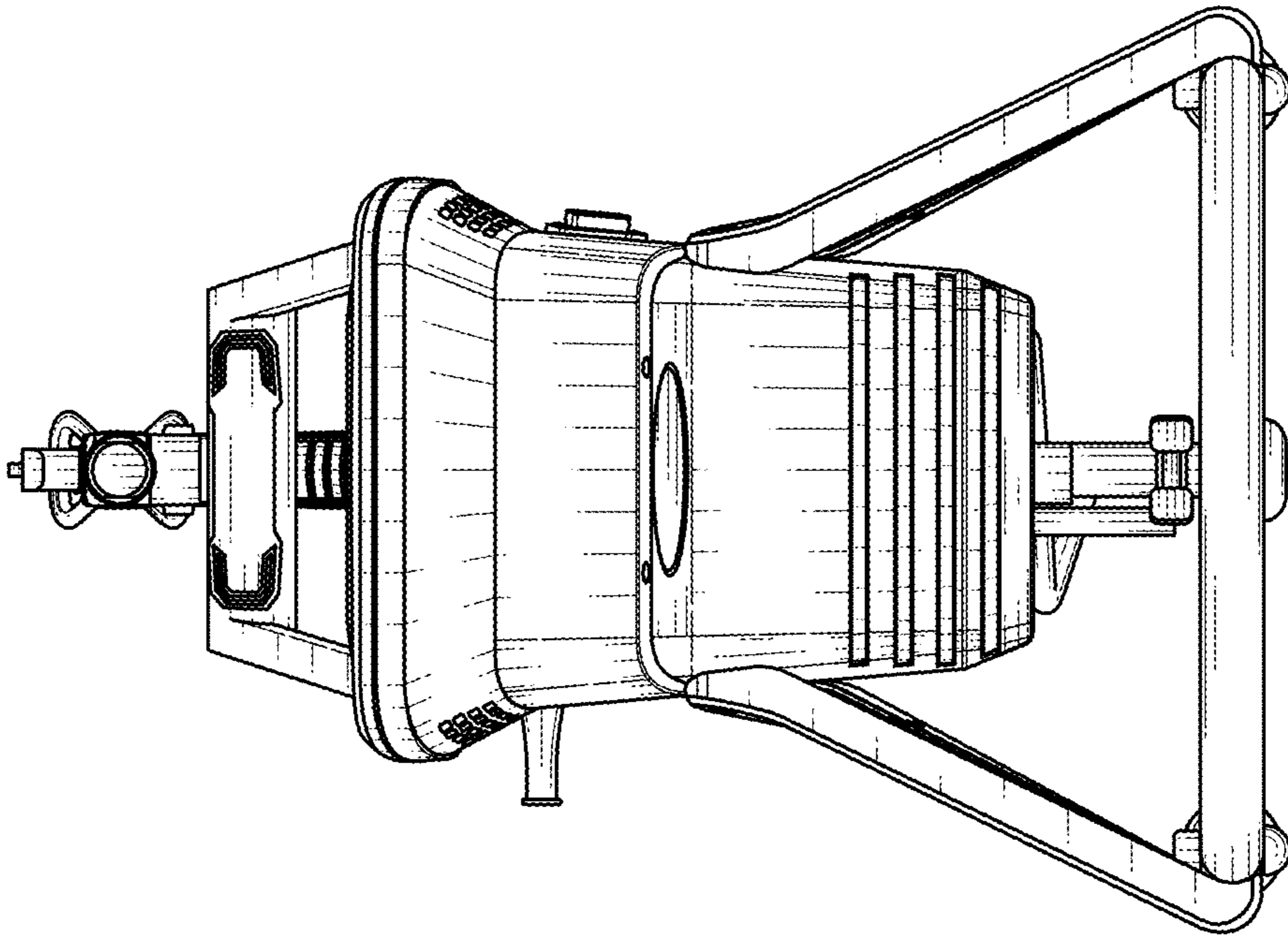


FIG. 3

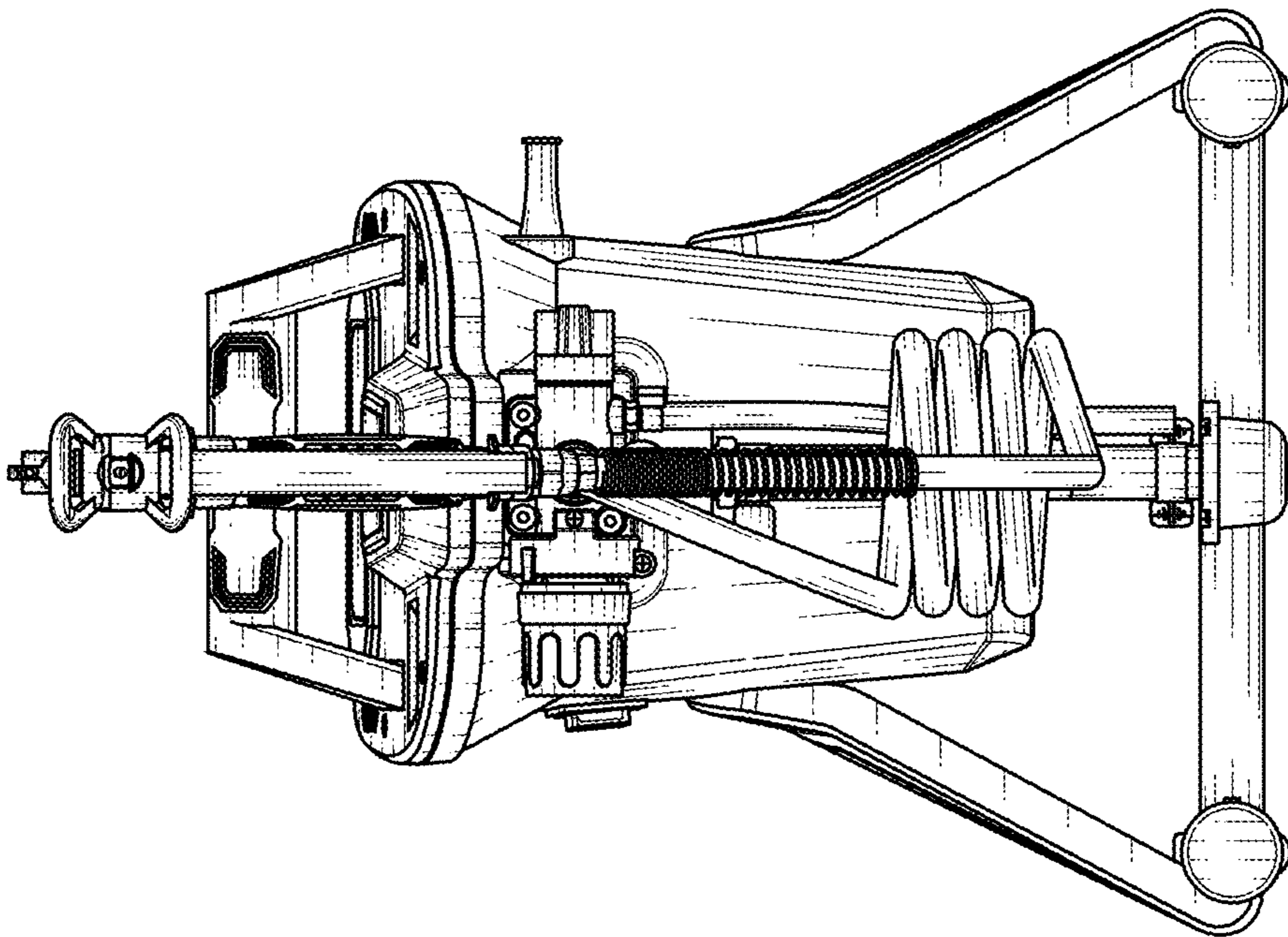


FIG. 2

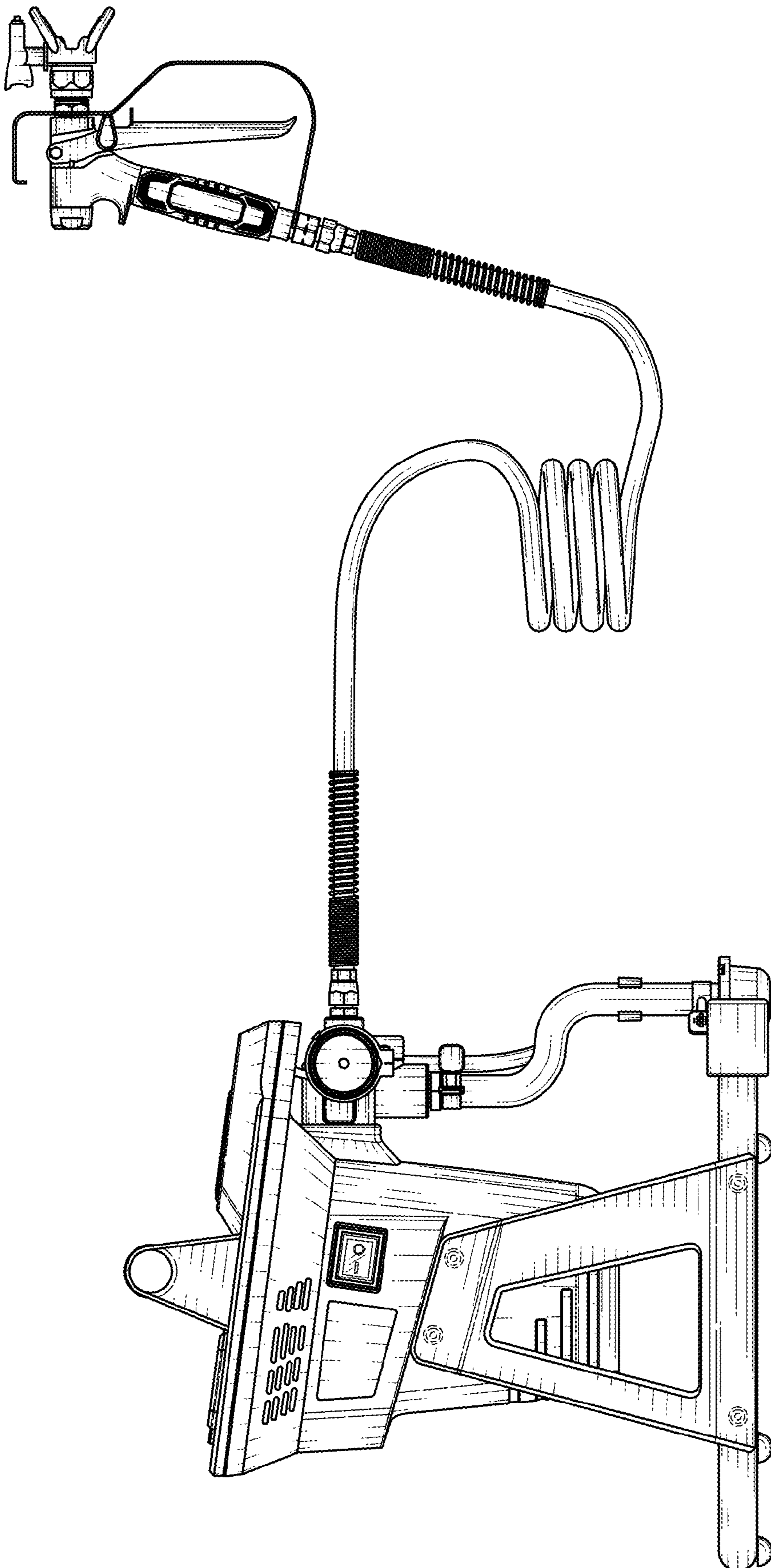


FIG. 4

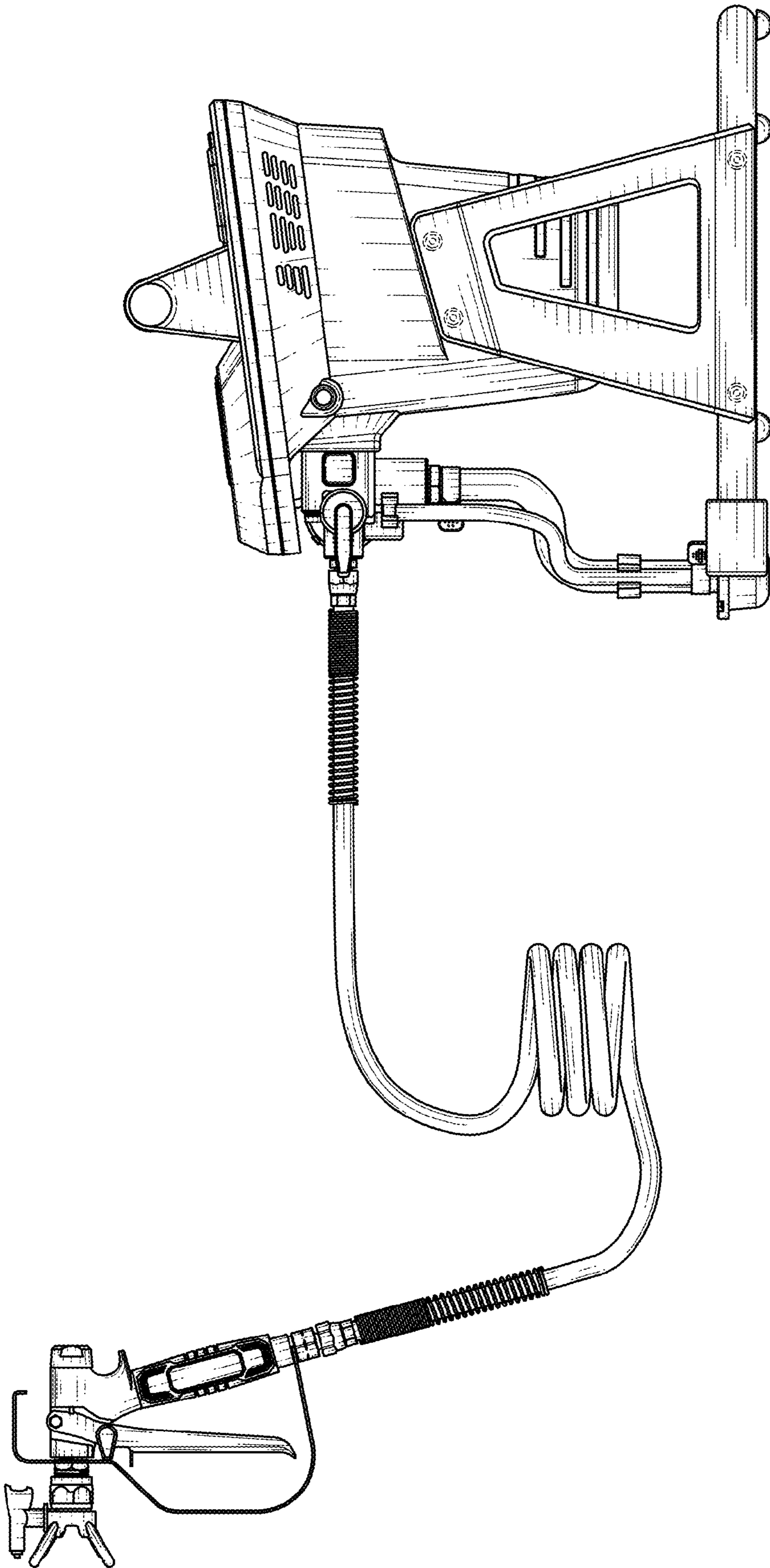


FIG. 5

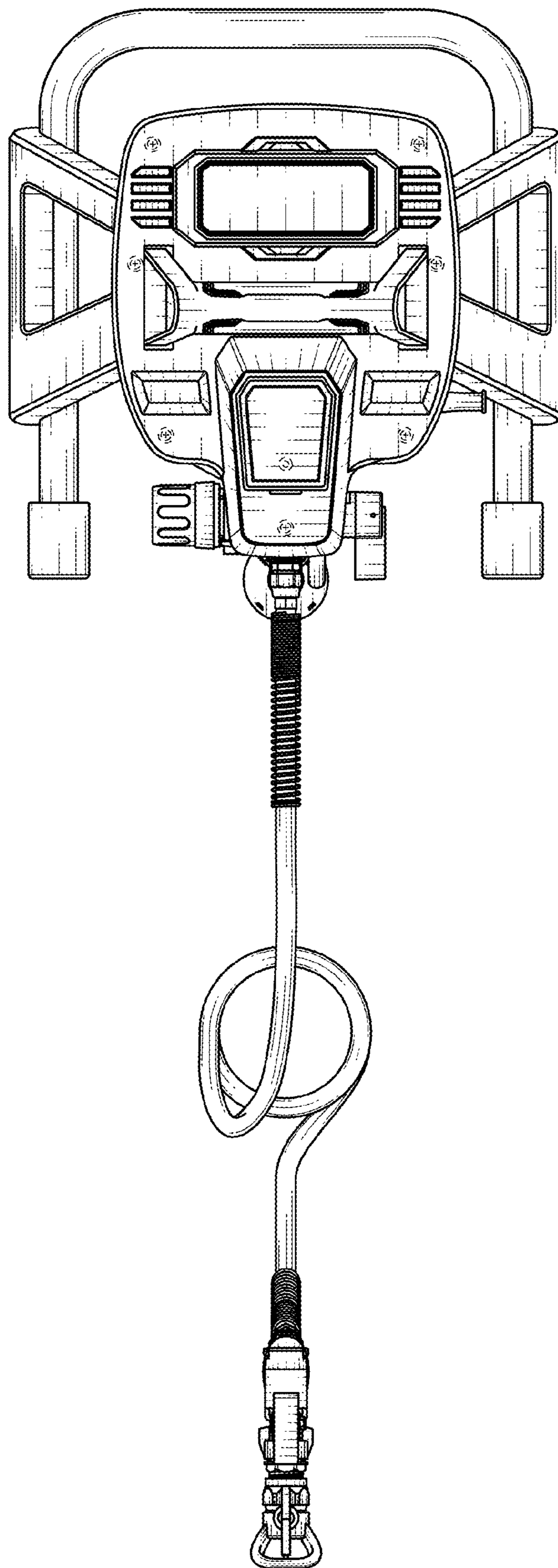


FIG. 6

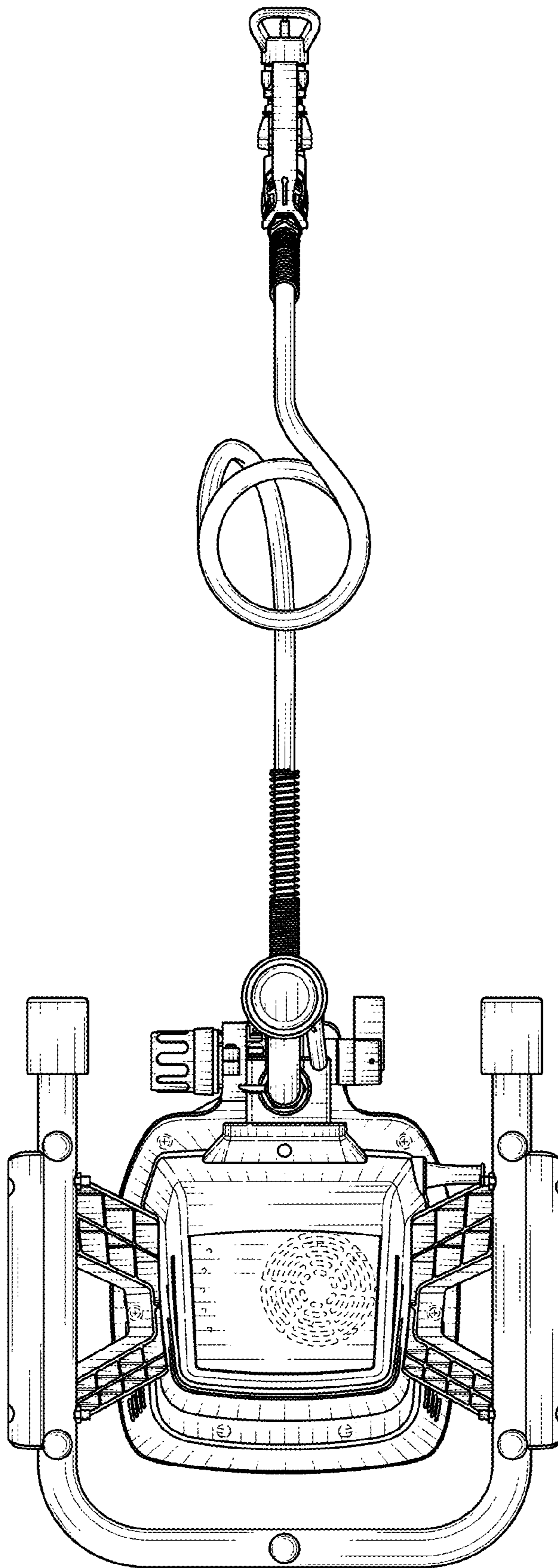


FIG. 7