



US00D945561S

(12) **United States Design Patent**  
**Kim**

(10) **Patent No.:** **US D945,561 S**  
(45) **Date of Patent:** **\*\* Mar. 8, 2022**

(54) **EXHAUST GAS INHALATION NOZZLE**  
(71) Applicant: **CHUNG ENGINEERING CO. LTD.**,  
Suwon-si (KR)

D579,842 S \* 11/2008 Ren ..... D12/194  
D632,359 S \* 2/2011 Goutiere ..... D23/213  
D632,360 S \* 2/2011 Goutiere ..... D23/213  
(Continued)

(72) Inventor: **Keun Sik Kim**, Suwon-si (KR)  
(73) Assignee: **CHUNG ENGINEERING CO. LTD.**,  
Suwon-si (KR)

**OTHER PUBLICATIONS**

Exhaust Tip 2.5" Inlet 2"x6" Outlet 10", Dec. 14, 2017, amazon.com, Oct. 12, 2021, URL: <https://www.amazon.com/Exhaust-Outlet-Rectangle-Stainless-Tailpipe/dp/B0788MN83Q> (Year: 2017).\*  
(Continued)

(\*\*) Term: **15 Years**  
(21) Appl. No.: **29/711,508**  
(22) Filed: **Oct. 31, 2019**

*Primary Examiner* — Jack Reickel  
*Assistant Examiner* — Keith J Wilson  
(74) *Attorney, Agent, or Firm* — Novick, Kim & Lee, PLLC; Sang Ho Lee; Hyun Woo Shin

(30) **Foreign Application Priority Data**  
May 10, 2019 (KR) ..... 30-2019-0021967  
(51) **LOC (13) Cl.** ..... **23-01**  
(52) **U.S. Cl.**  
USPC ..... **D23/213**

(57) **CLAIM**  
I claim the ornamental design for an exhaust gas inhalation nozzle, as shown and described.

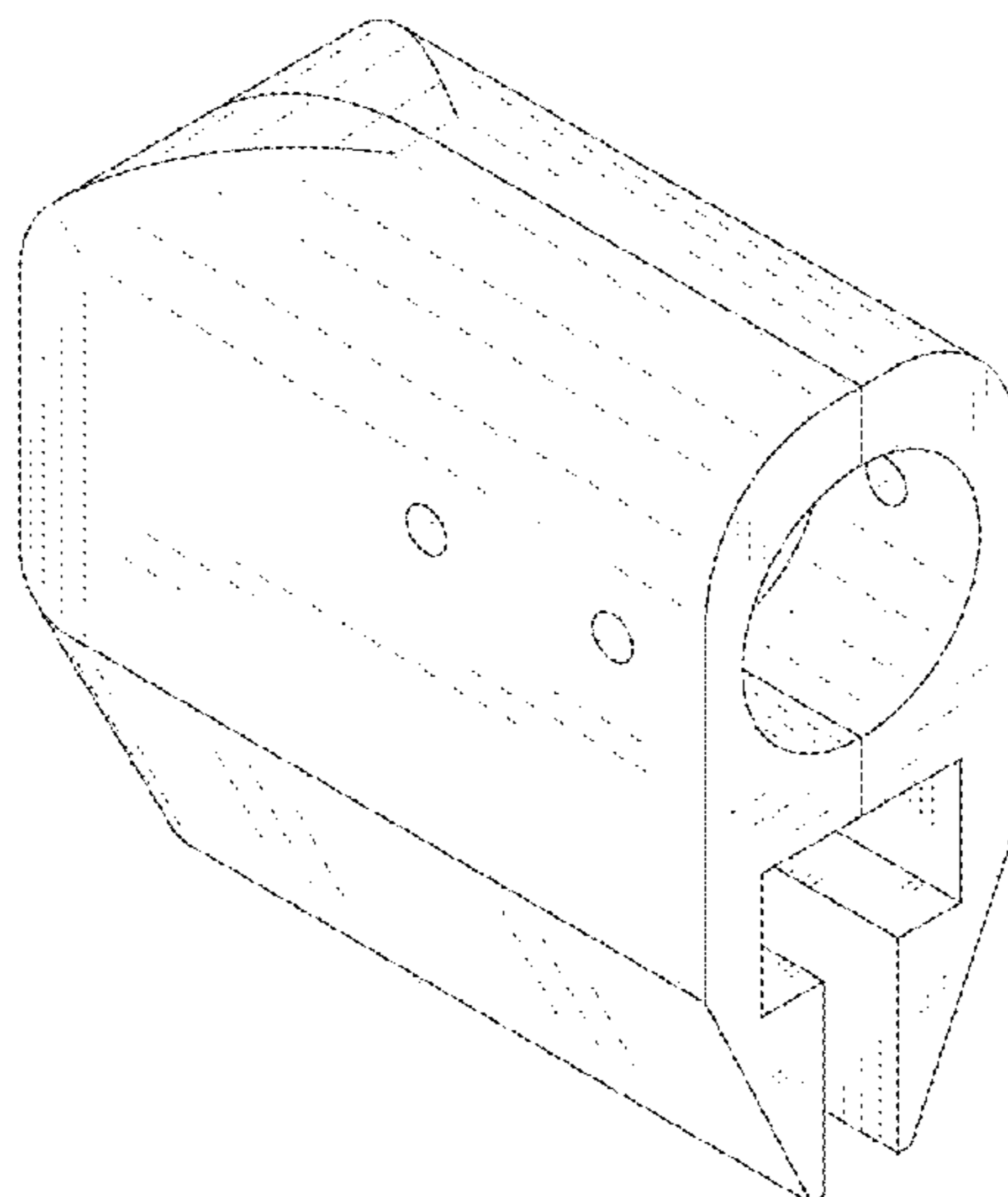
(58) **Field of Classification Search**  
USPC ..... D23/213, 214, 215, 223, 224, 226, 229,  
D23/230, 249, 259, 262; D12/194  
CPC ..... A61H 9/0021; A61H 33/00; B05B 1/00;  
B05B 1/14; B05B 1/185; B05B 1/08;  
B05B 1/02; B05B 1/26; B05B 12/002;  
B05B 1/18; B05B 9/01  
See application file for complete search history.

**DESCRIPTION**

FIG. 1 is a top perspective view of an exhaust gas inhalation nozzle, showing my new design;  
FIG. 2 is a front elevational view thereof;  
FIG. 3 is a rear elevational view thereof;  
FIG. 4 is a left side elevational view thereof;  
FIG. 5 is a right side elevational view thereof;  
FIG. 6 is a top plan view thereof;  
FIG. 7 is a bottom plan view thereof;  
FIG. 8 is a bottom perspective view thereof;  
FIG. 9 is a reference view thereof showing a configuration of use; and,  
FIG. 10 is a reference view thereof showing another configuration of use.  
In the drawings, the broken lines depict portions of the exhaust gas inhalation nozzle that form no part of the claimed design.

(56) **References Cited**  
**U.S. PATENT DOCUMENTS**  
4,121,085 A \* 10/1978 Diemer ..... C08F 2/005  
219/121.74  
D263,867 S \* 4/1982 Thompson ..... D23/213  
D285,828 S \* 9/1986 Oyler ..... D23/213  
4,686,957 A \* 8/1987 Koziol ..... F23D 14/64  
126/41 R  
D358,452 S \* 5/1995 Karrick ..... D23/227  
6,394,369 B2 \* 5/2002 Goenka ..... B05B 1/042  
239/589  
D522,611 S \* 6/2006 Carder, Sr. .... D23/213

**1 Claim, 9 Drawing Sheets**



(56)

**References Cited**

U.S. PATENT DOCUMENTS

D723,658 S \* 3/2015 Meister ..... D23/213  
D904,262 S \* 12/2020 Jardim ..... D12/194  
D913,418 S \* 3/2021 Mather ..... D23/213  
D916,246 S \* 4/2021 Meyers ..... D23/255  
D919,774 S \* 5/2021 Stoltzfus ..... F16L 57/005  
D23/262  
D926,923 S \* 8/2021 Ross ..... D23/213  
D931,410 S \* 9/2021 Fujinami ..... D23/213  
D931,423 S \* 9/2021 Ikushima ..... D23/262  
D933,173 S \* 10/2021 Stoltzfus ..... D23/262  
2006/0064962 A1\* 3/2006 Wehner ..... F02K 1/085  
60/232  
2016/0177789 A1\* 6/2016 Honnorat ..... F02K 1/06  
60/770  
2021/0293008 A1\* 9/2021 Lin ..... E03C 1/06

OTHER PUBLICATIONS

Wagner Spraytech 0503148 Wagner HT Accessories Heat Gun  
Nozzles, <https://www.amazon.com/Wagner-0503148-503148-30010A-Accessory/dp/B017MNR2V2> (Year: 2015).\*

\* cited by examiner

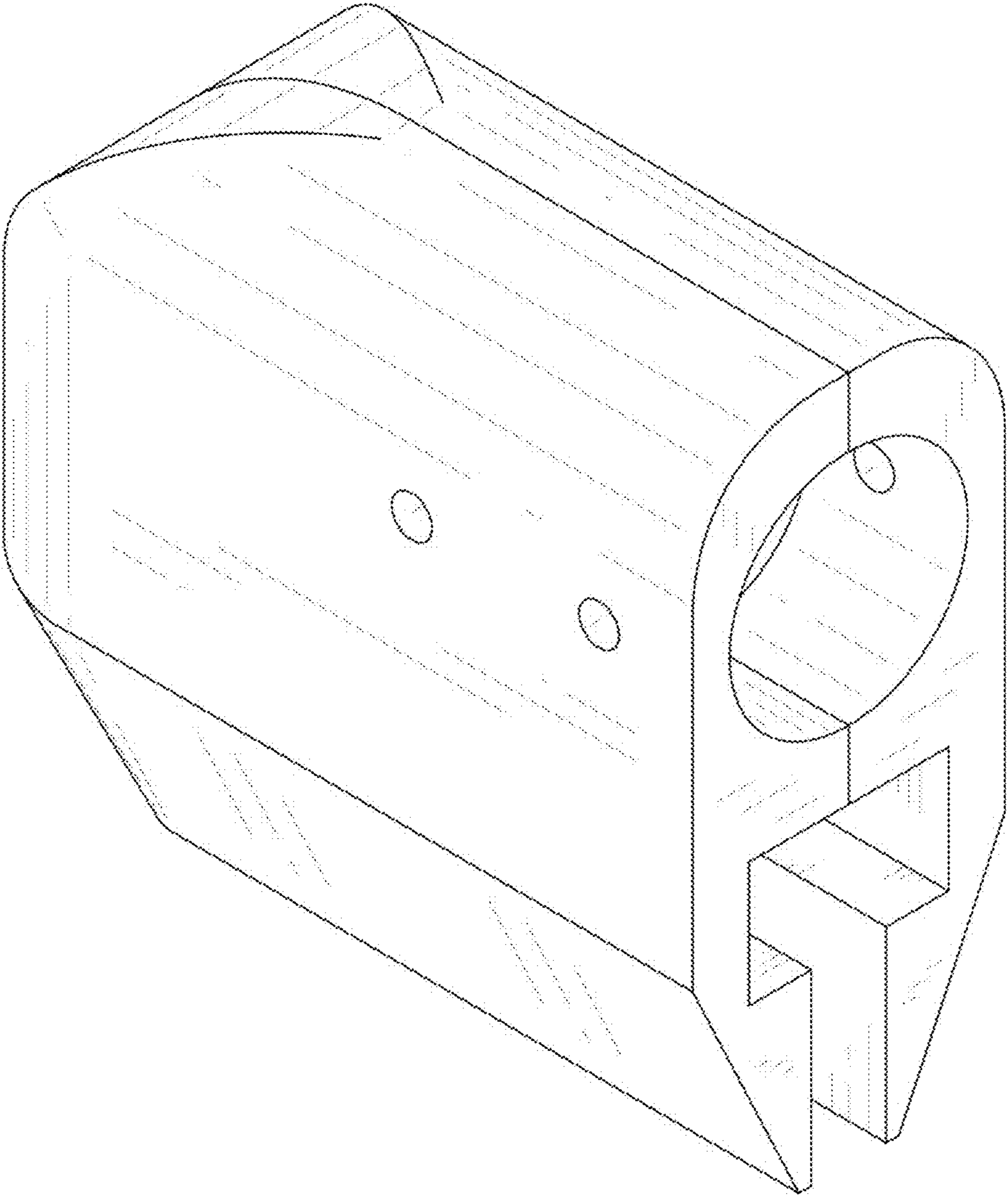


FIG. 1

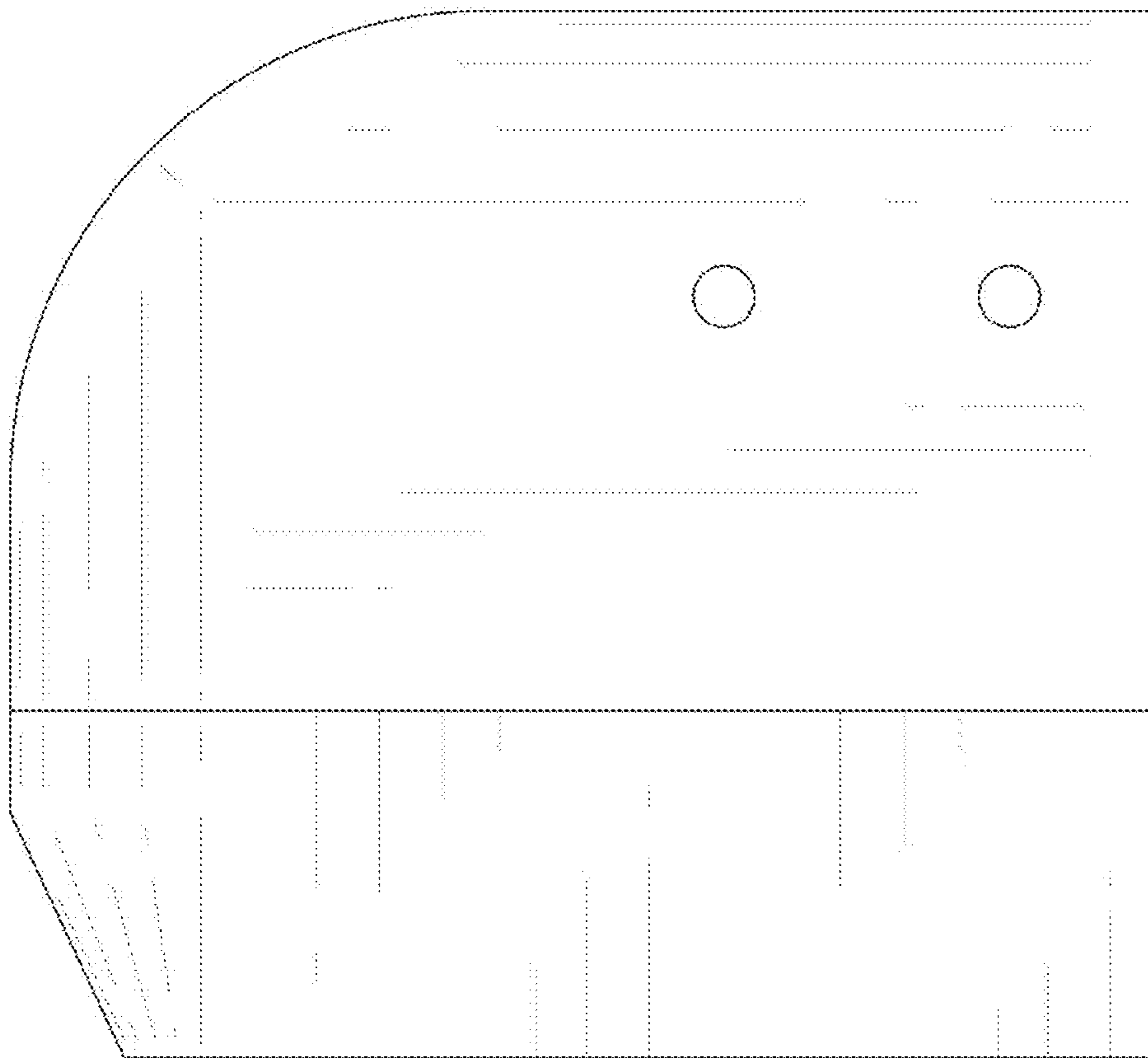
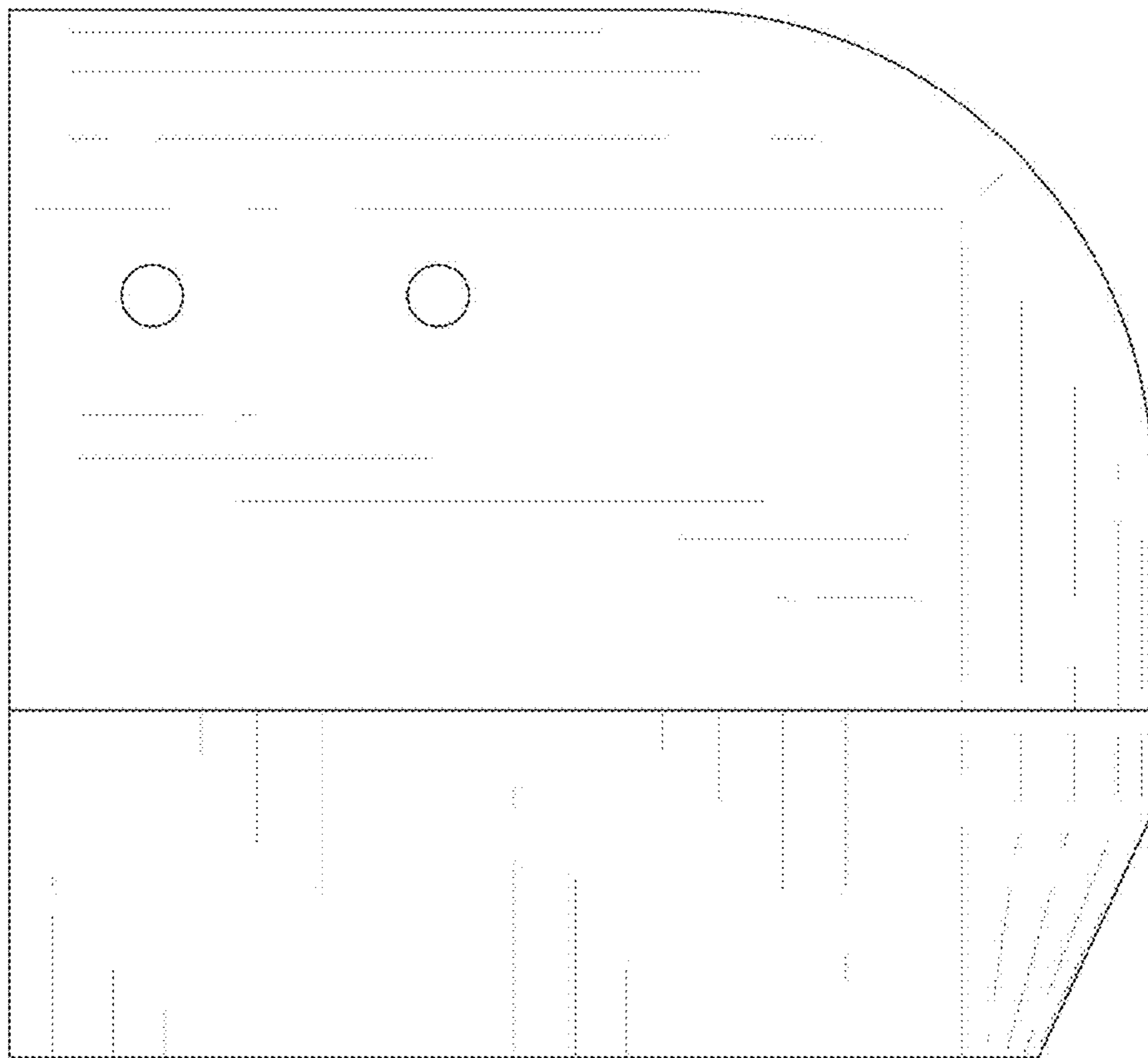
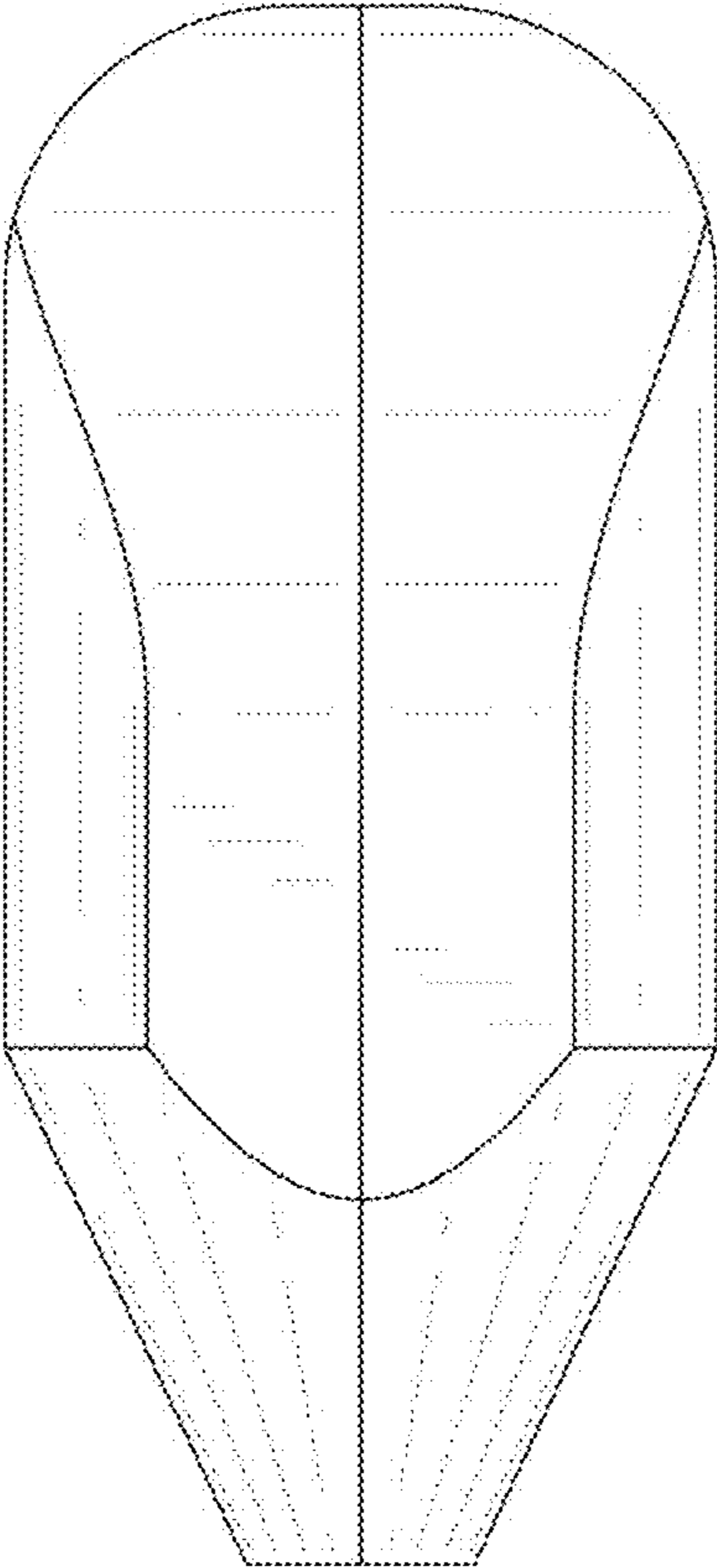


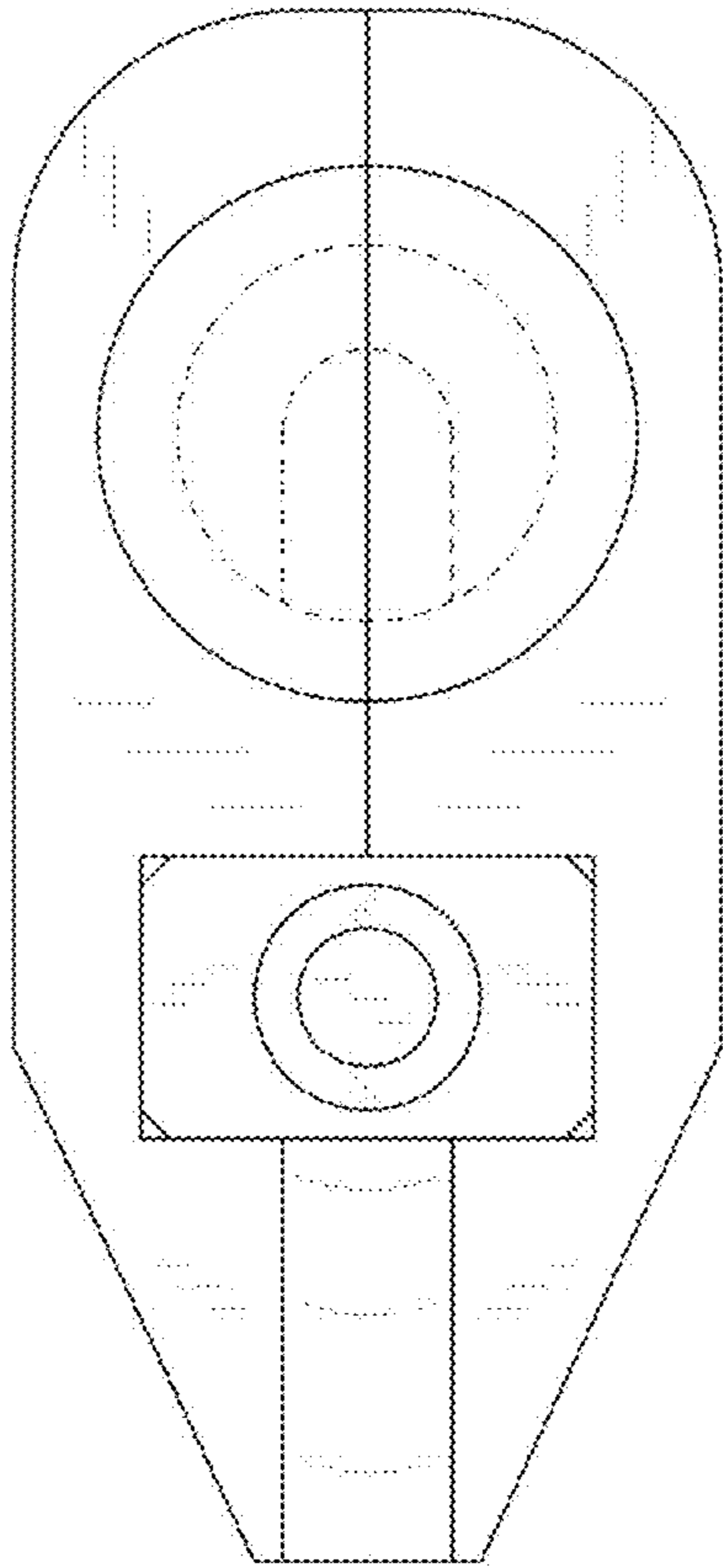
FIG. 2



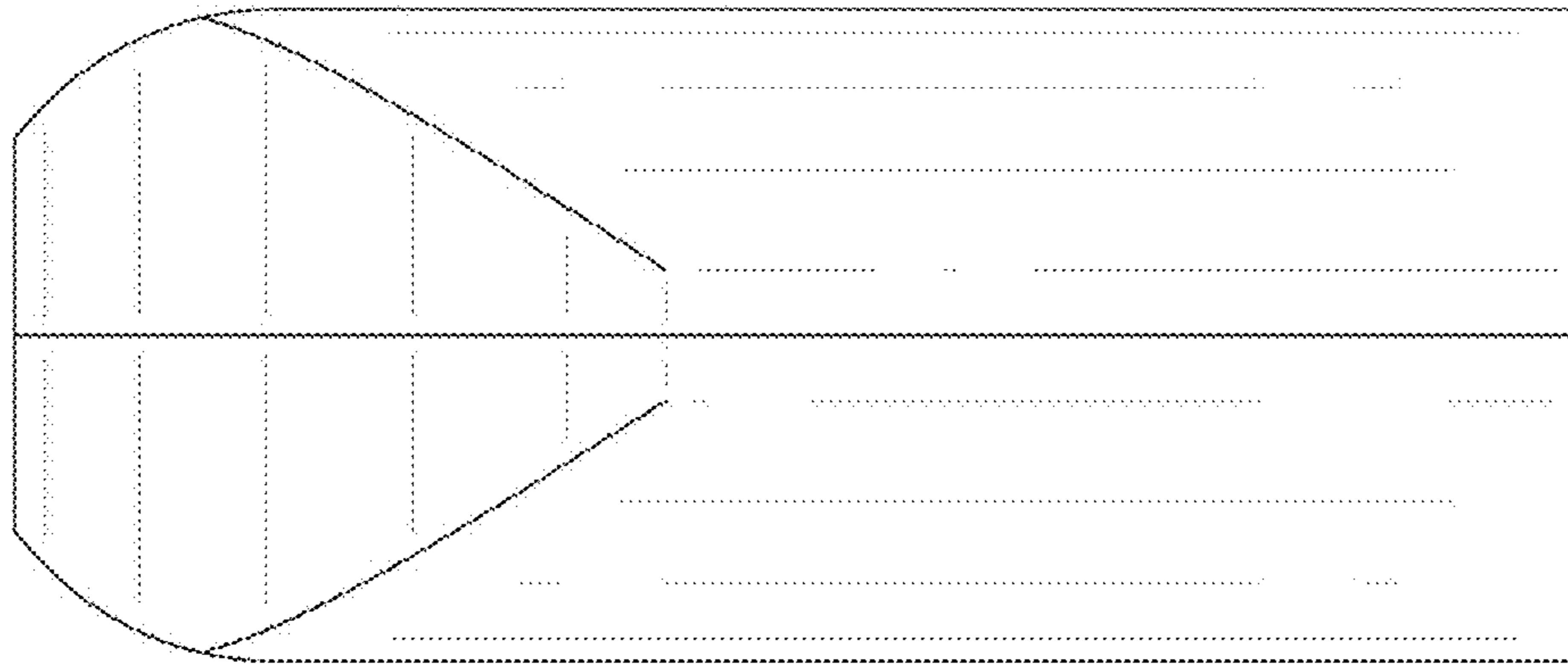
**FIG. 3**



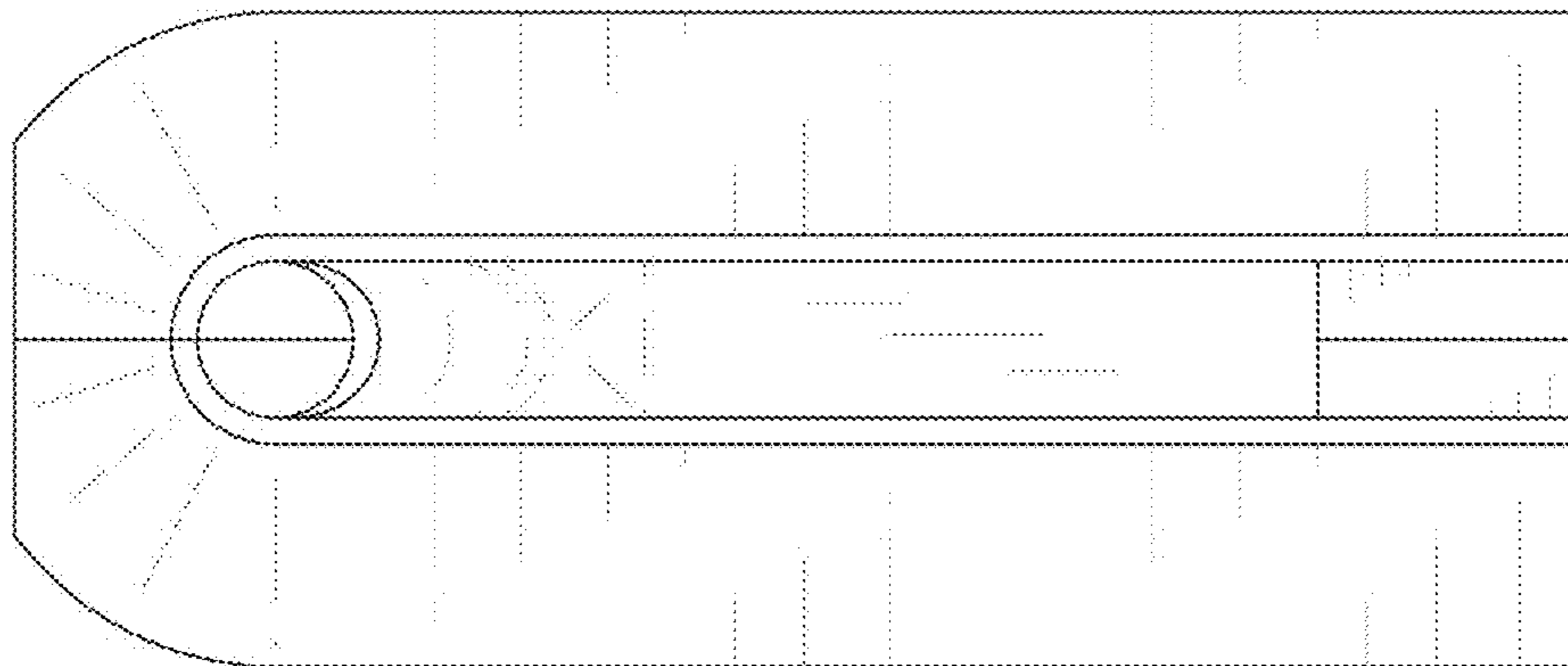
**FIG. 4**



**FIG. 5**



**FIG. 6**



**FIG. 7**



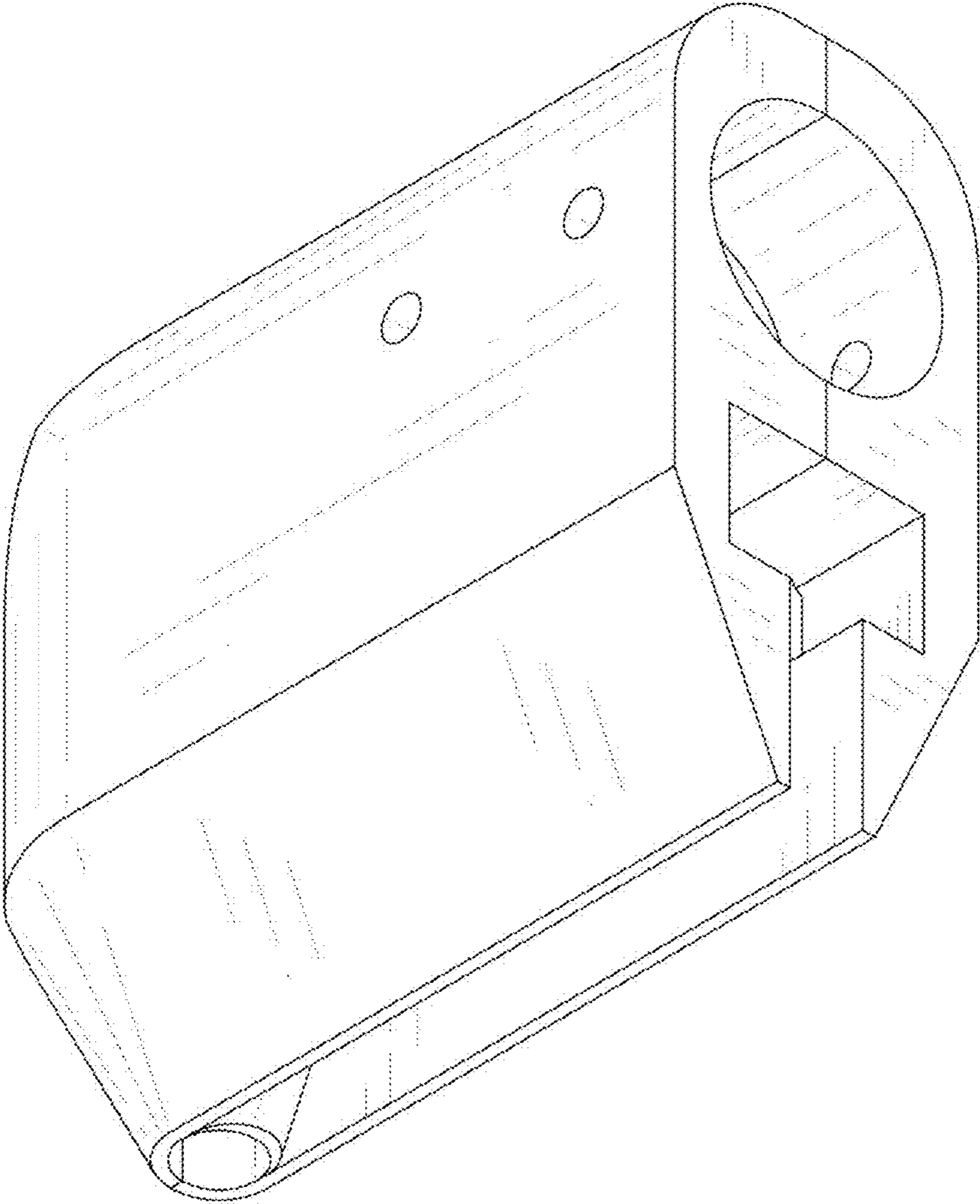


FIG. 8

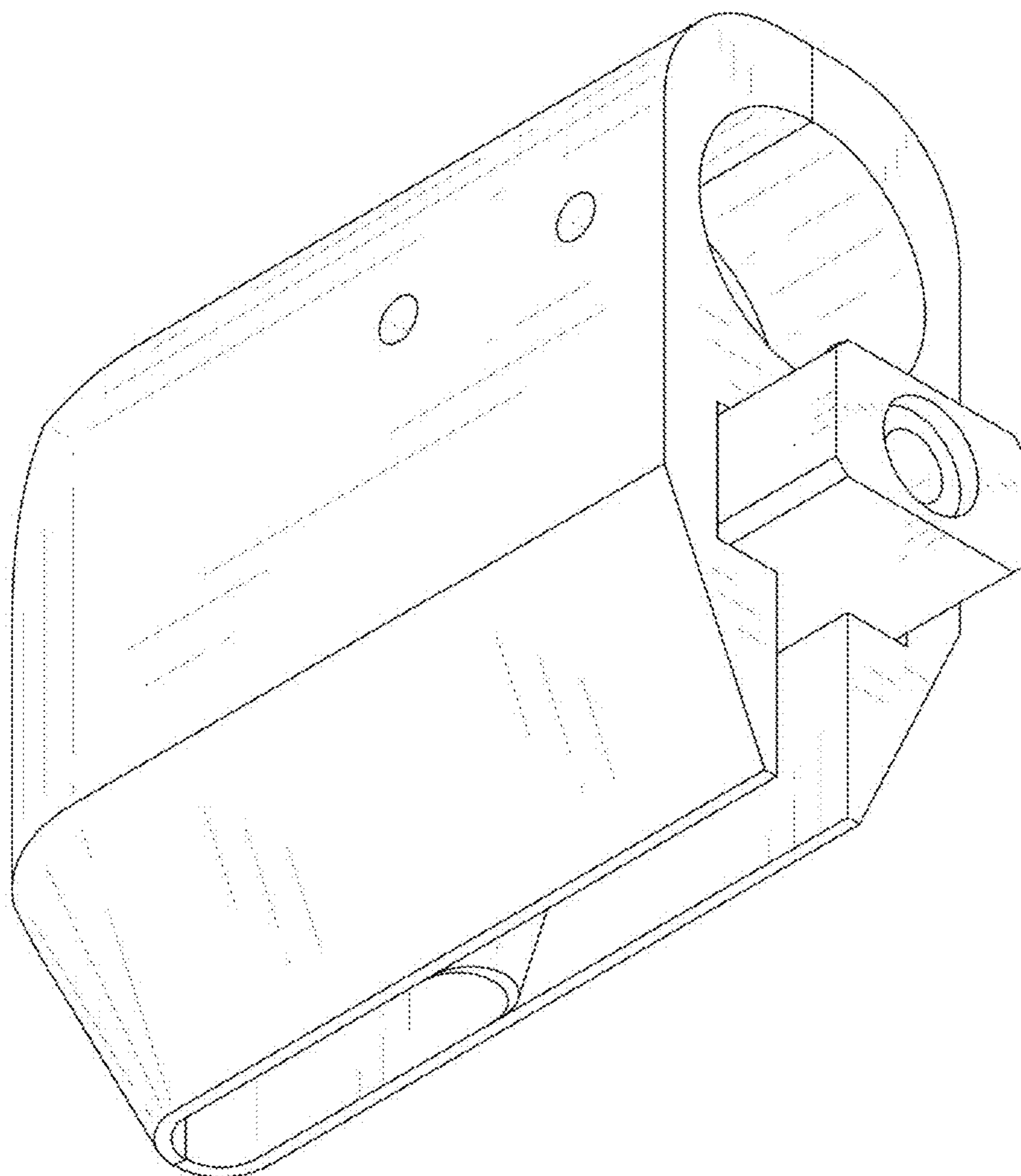


FIG. 9

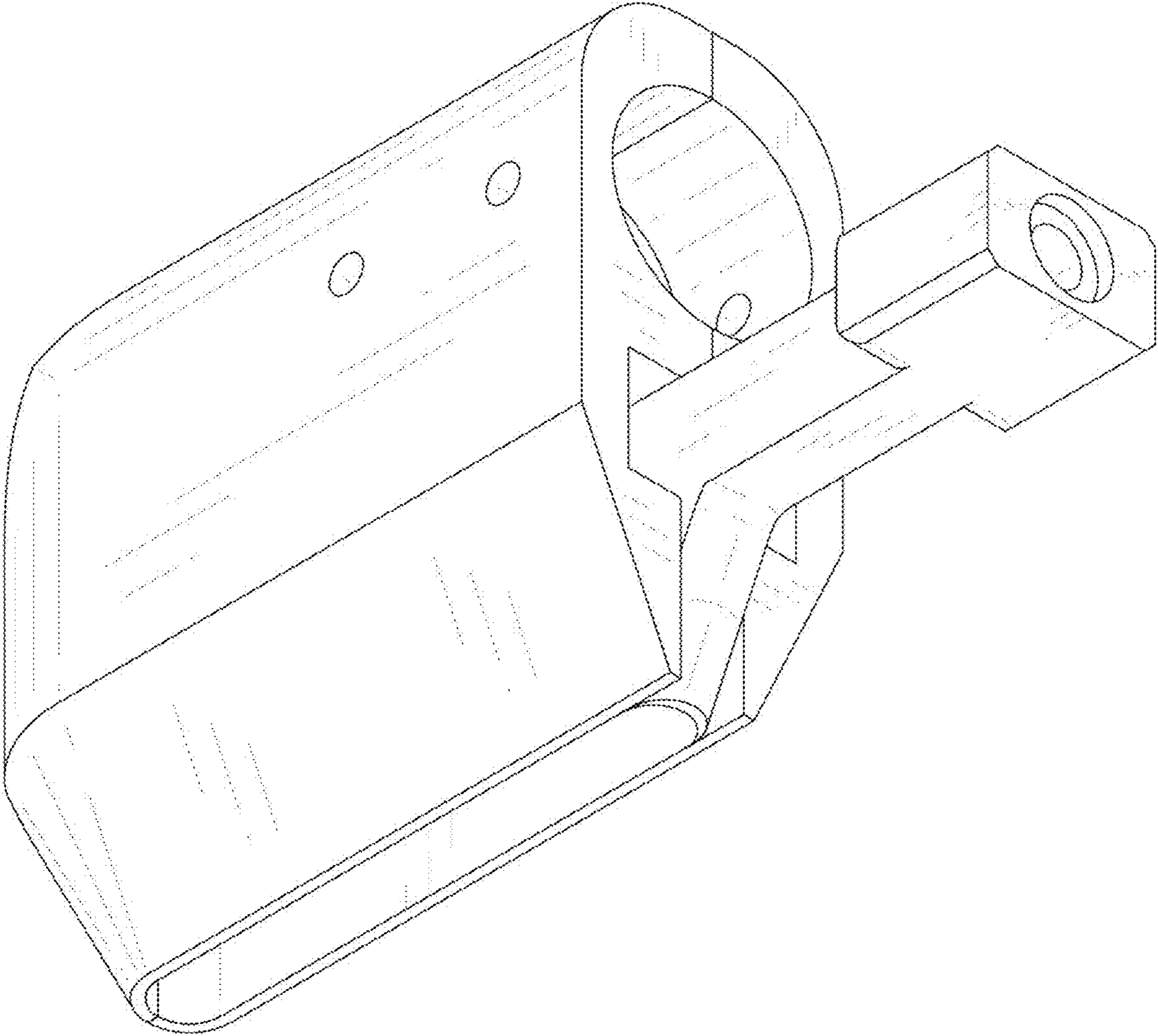


FIG. 10