



US00D945560S

(12) **United States Design Patent** (10) **Patent No.:** **US D945,560 S**
Du (45) **Date of Patent:** **** Mar. 8, 2022**

(54) **WATER FILTER FOR COFFEE MACHINE**

(71) Applicant: **Zhuojian Du**, Shenzhen (CN)

(72) Inventor: **Zhuojian Du**, Shenzhen (CN)

(**) Term: **15 Years**

(21) Appl. No.: **29/751,054**

(22) Filed: **Sep. 18, 2020**

(51) **LOC (13) Cl.** **23-01**

(52) **U.S. Cl.**
USPC **D23/209**

(58) **Field of Classification Search**
USPC D23/209, 239, 261, 318, 365; D7/300,
D7/373, 400

CPC A47J 27/21058; B01D 35/153; B01D
29/111; C02F 1/002; C02F 1/003

See application file for complete search history.

(56) **References Cited**

U.S. PATENT DOCUMENTS

D585,233 S	1/2009	Bodum	
D594,927 S *	6/2009	Amtmann	D23/209
D718,563 S	12/2014	Deman	
D735,528 S	8/2015	Hubert	
D740,064 S	10/2015	Katz et al.	
D795,995 S *	8/2017	Zou	D23/209
D798,997 S *	10/2017	Zou	D23/209
D856,473 S *	8/2019	Zou	D23/209
D856,474 S *	8/2019	Zou	D23/209
D858,693 S *	9/2019	Zou	D23/209
D858,694 S *	9/2019	Zou	D23/209

D860,724 S * 9/2019 Kassin D7/400
D894,332 S * 8/2020 Huaping B01D 35/30
D23/209

D927,245 S * 8/2021 Peng B01D 35/30
D7/372

2014/0353234 A1* 12/2014 Roesgen B01D 35/30
210/234

2019/0217229 A1* 7/2019 Rookey B01D 35/30

* cited by examiner

Primary Examiner — Karen S Acker

Assistant Examiner — Jonathan E Fiencke

(74) *Attorney, Agent, or Firm* — Rमित Ranjit Kanakia

(57) **CLAIM**

I claim the ornamental design for a water filter for coffee machine, as shown and described.

DESCRIPTION

FIG. 1 is a Perspective view of a water filter for coffee machine showing my new design;

FIG. 2 is a Bottom perspective view thereof;

FIG. 3 is a Front view thereof;

FIG. 4 is a Back view thereof;

FIG. 5 is a Right-side view thereof;

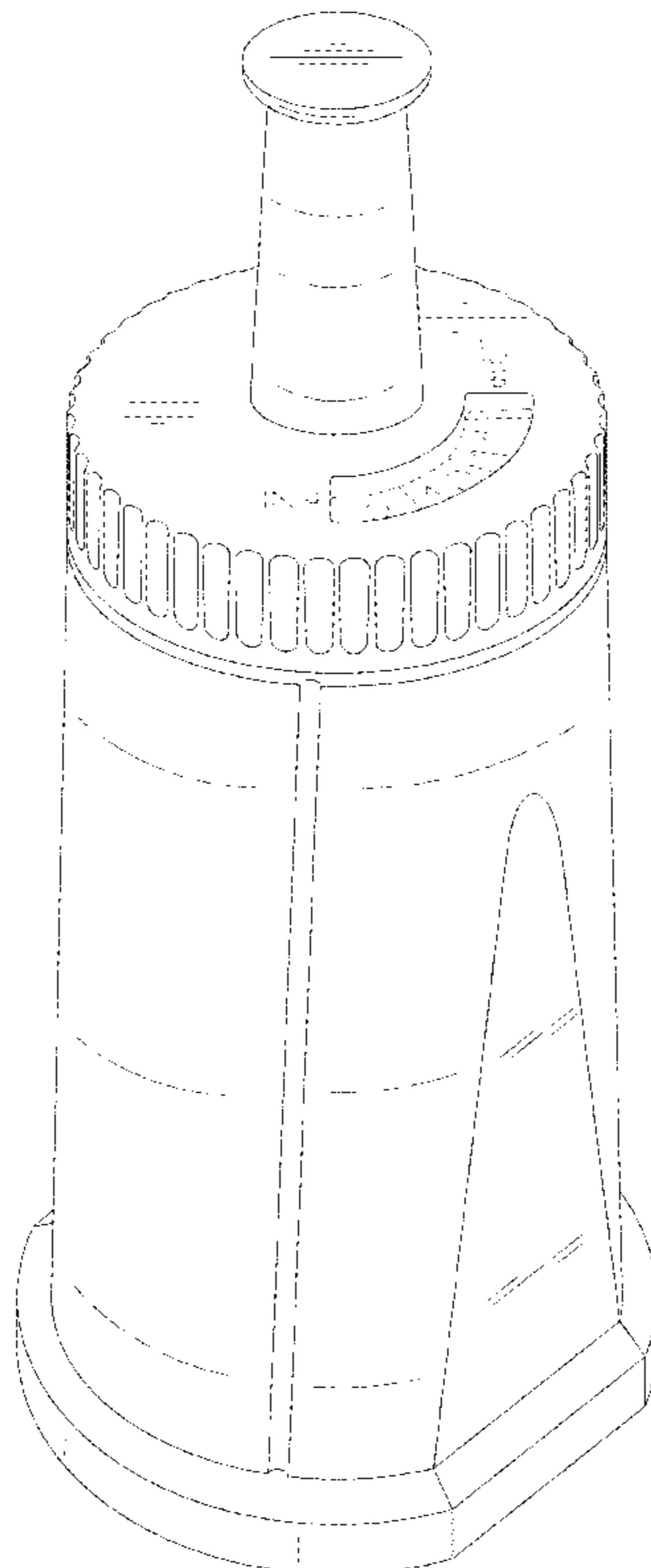
FIG. 6 is a Left-side view thereof;

FIG. 7 is a Top view thereof; and,

FIG. 8 is a Bottom view thereof.

The broken lines and all areas within depict portions of the water filter for coffee machine that form no part of the claimed design.

1 Claim, 8 Drawing Sheets



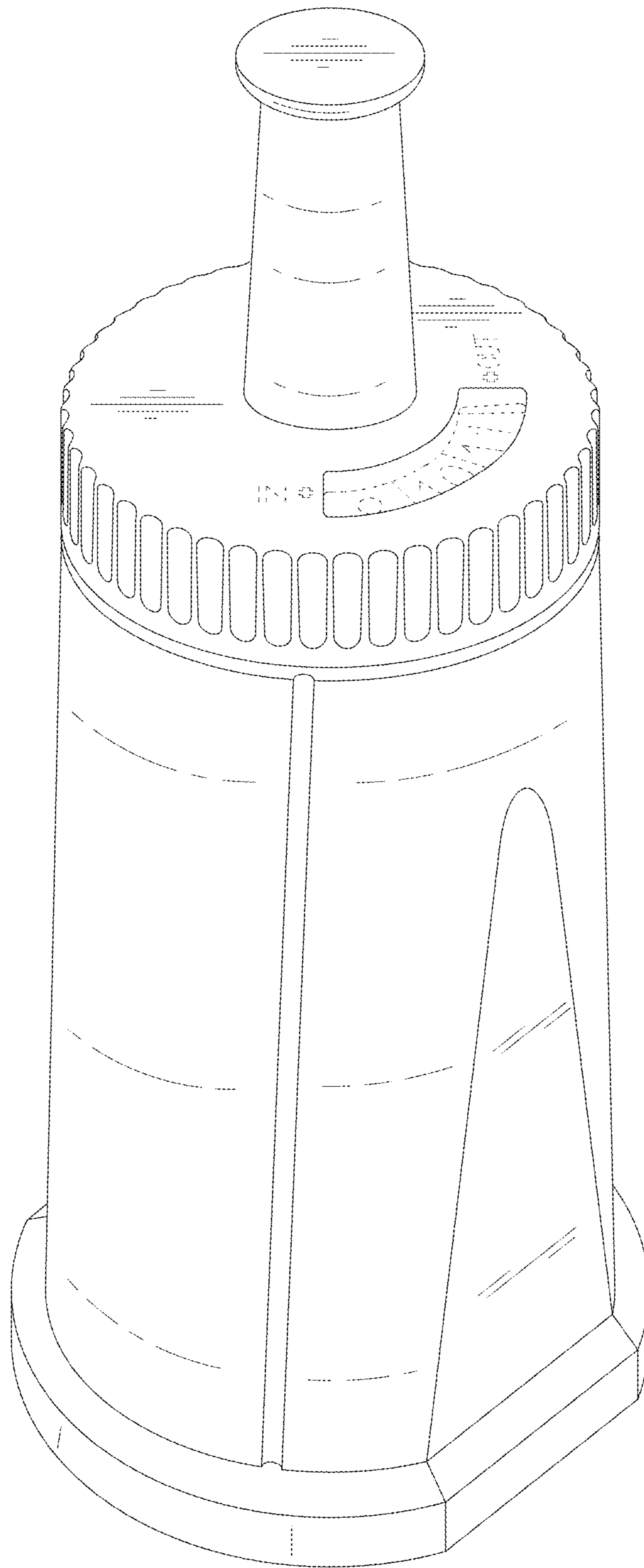


FIG. 1

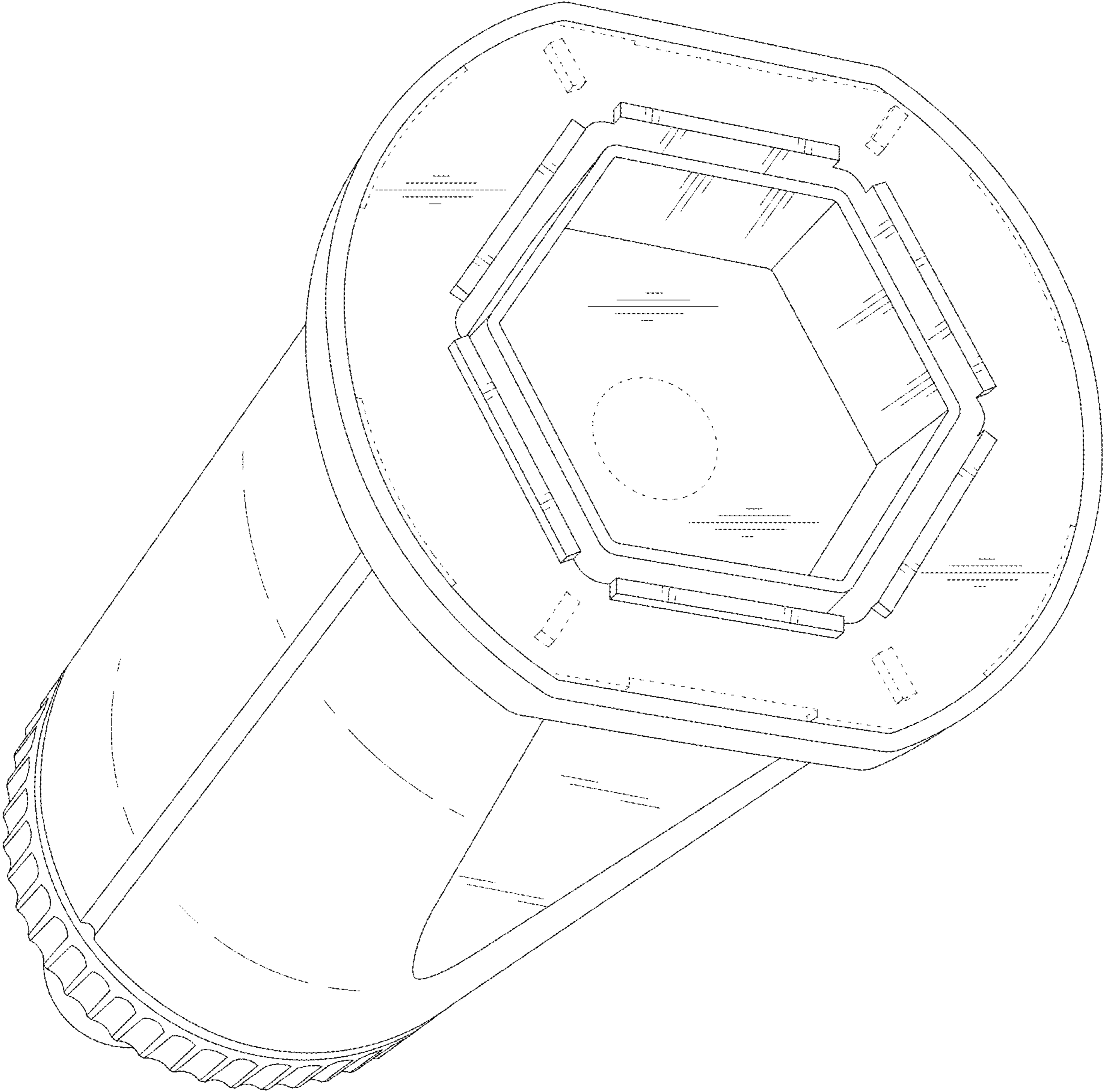


FIG. 2

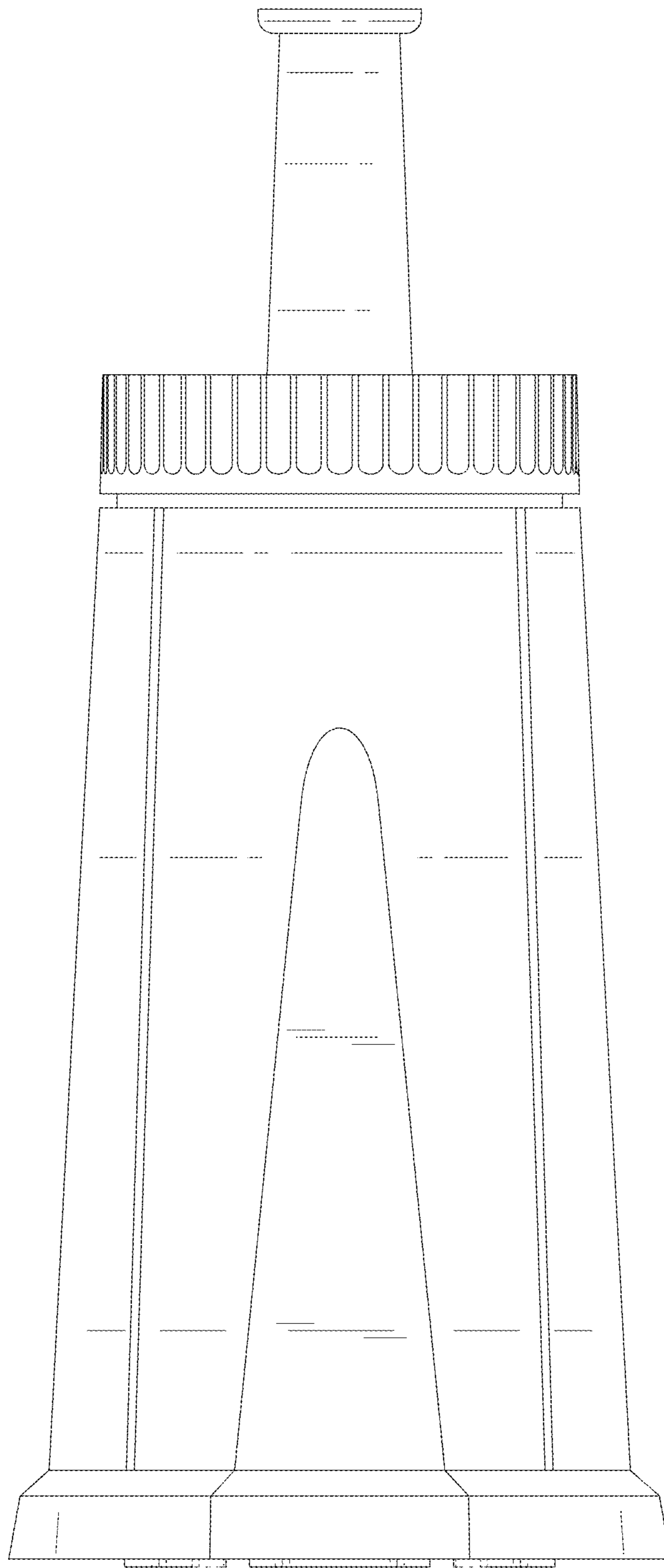


FIG. 3

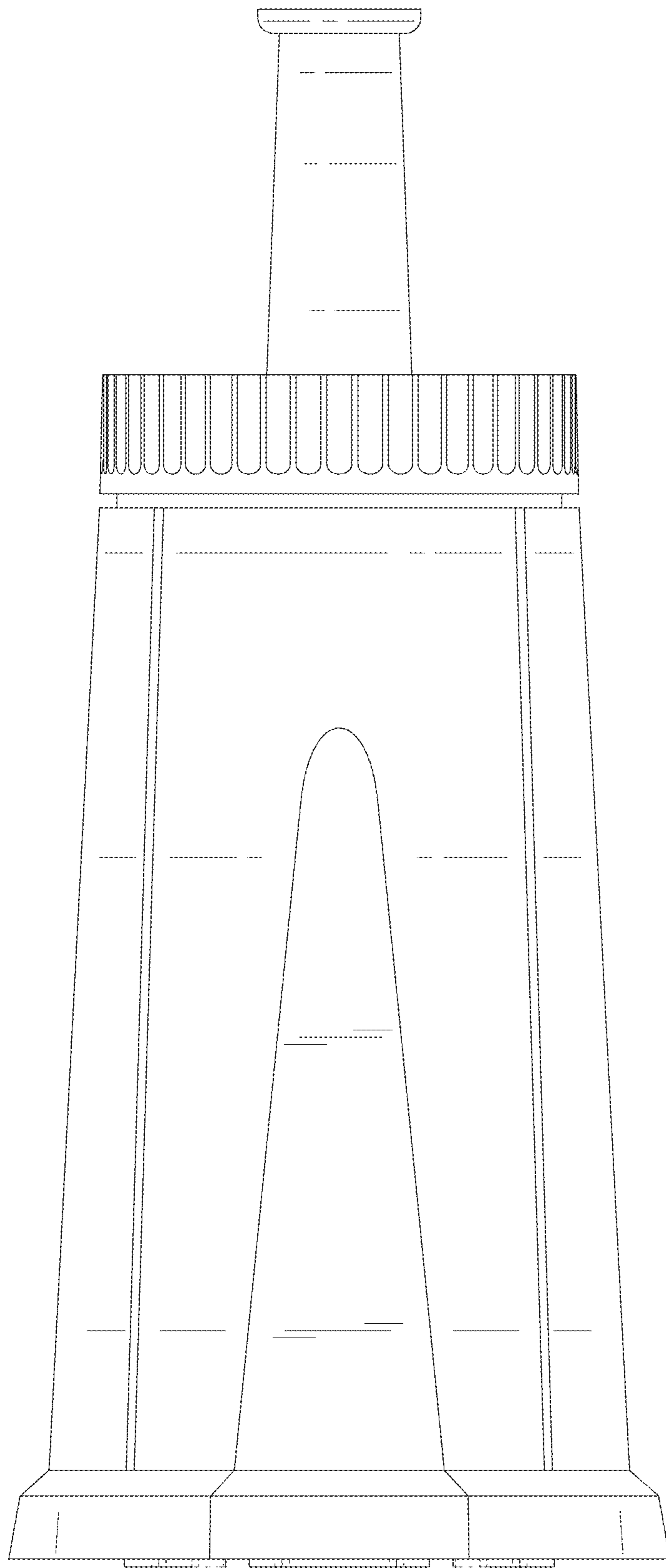


FIG. 4

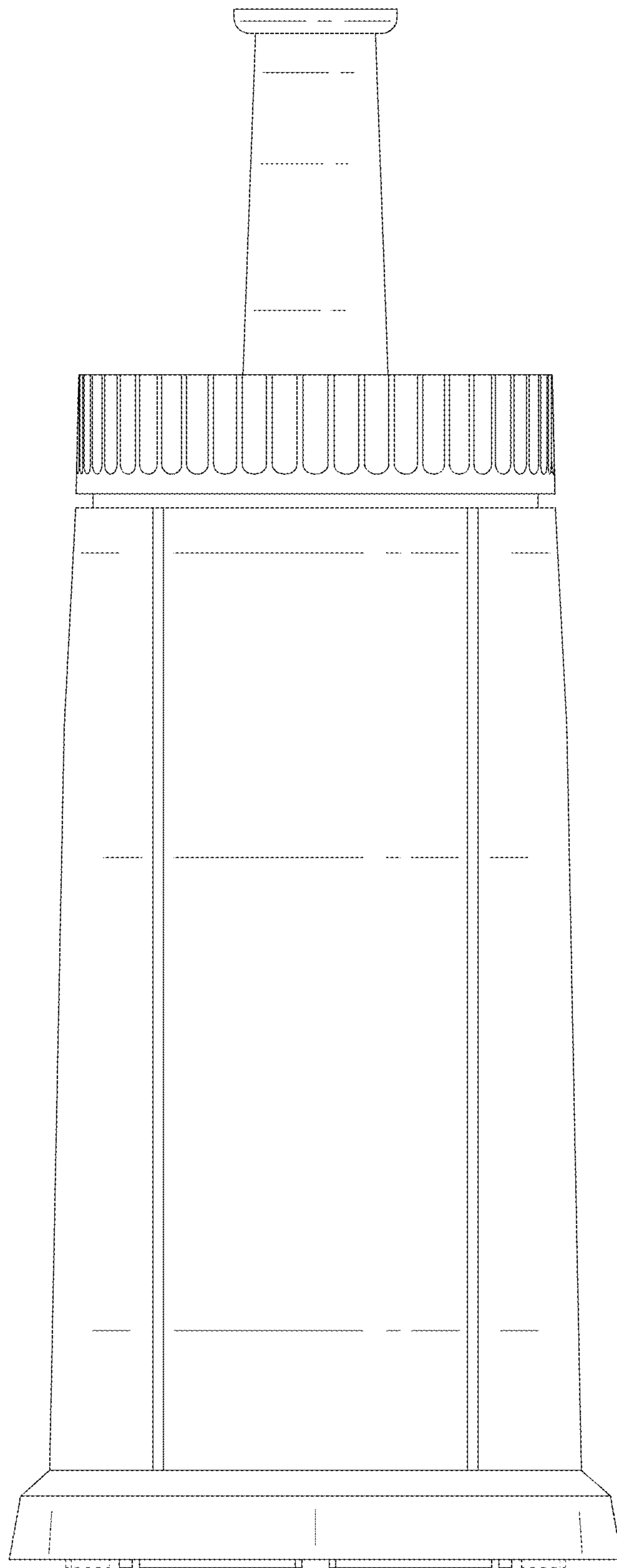


FIG. 5

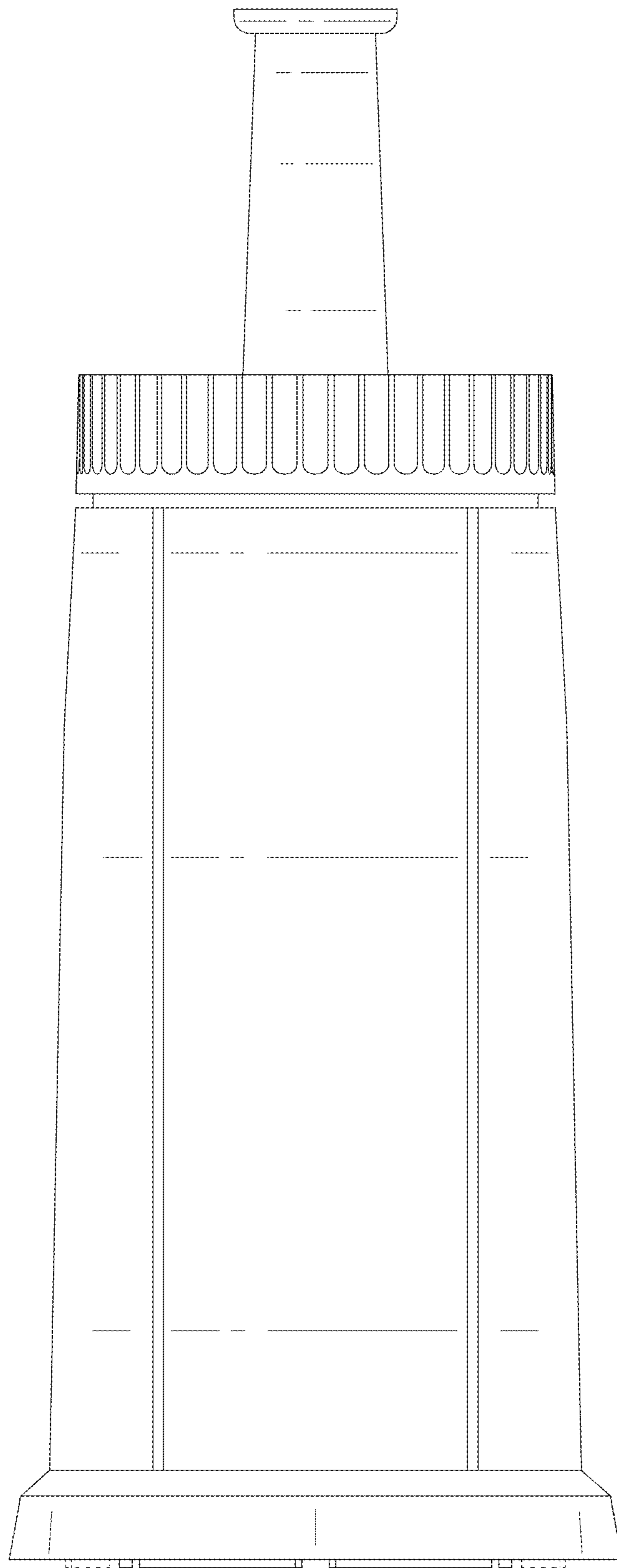


FIG. 6

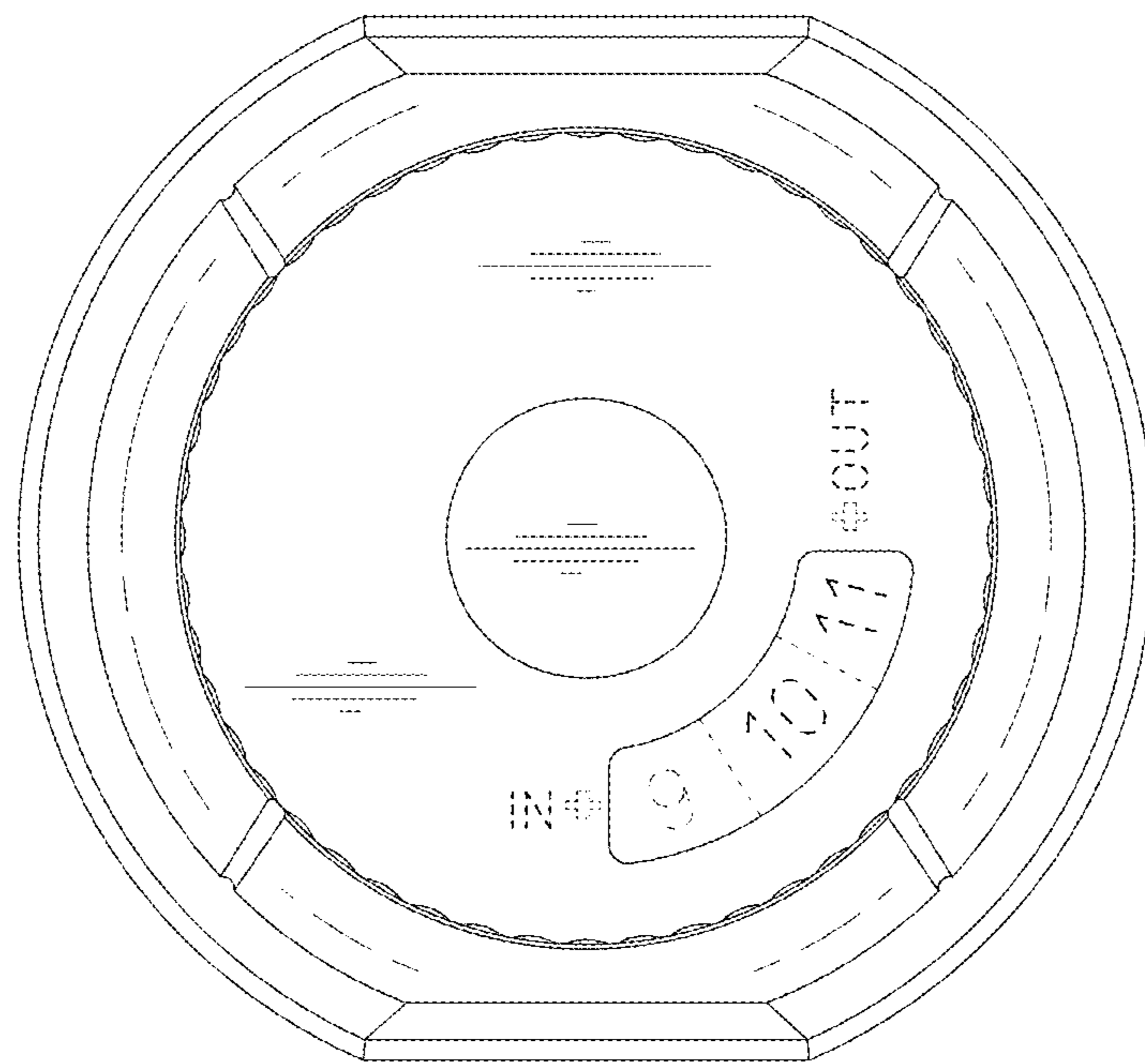


FIG. 7

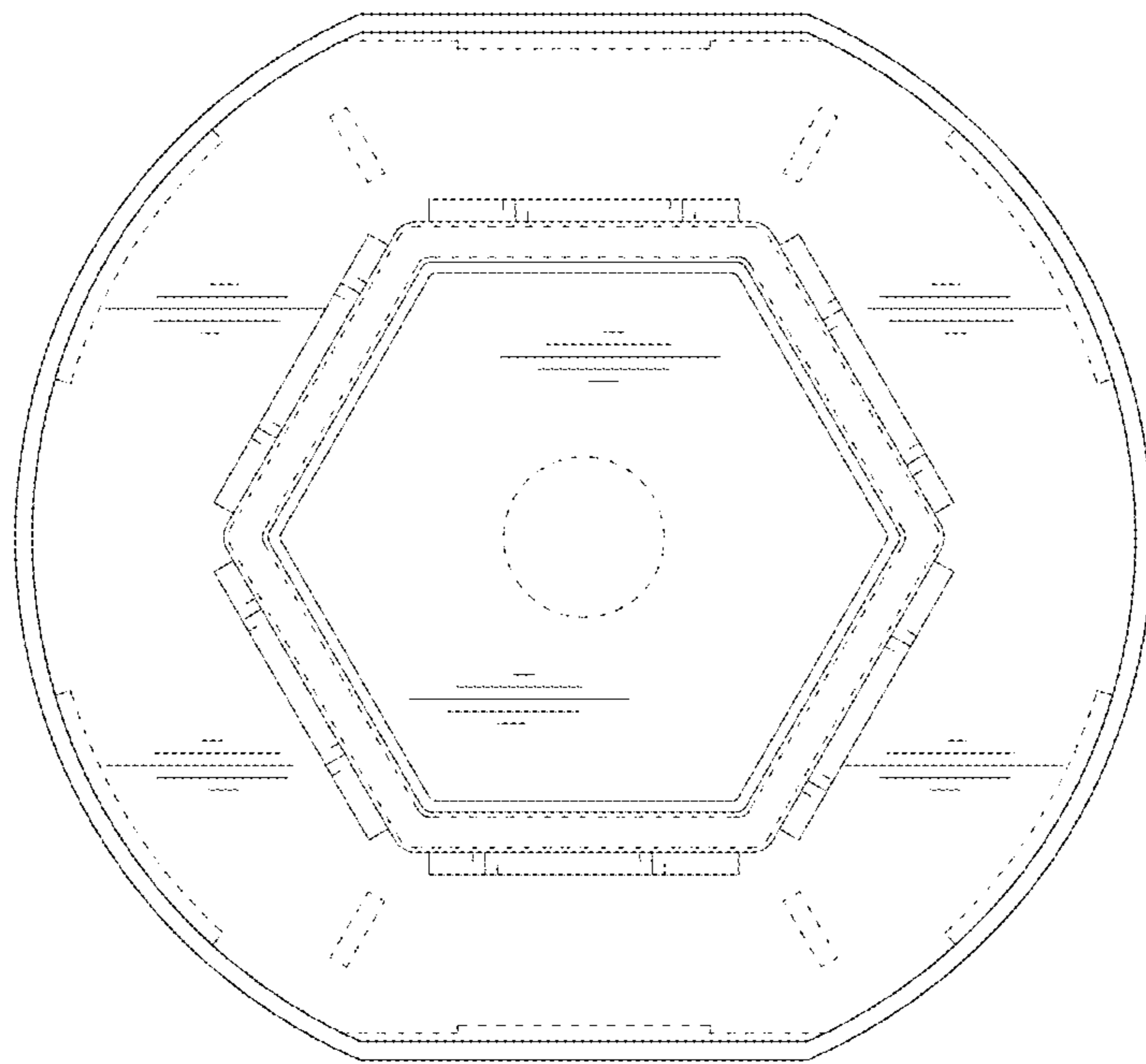


FIG. 8