



US00D945559S

(12) **United States Design Patent** (10) **Patent No.:** **US D945,559 S**
Wei (45) **Date of Patent:** **** Mar. 8, 2022**

(54) **WATER FILTER**
(71) Applicant: **Tianjin Yunda Industry and Trade Co., Ltd., Tianjin (CN)**
(72) Inventor: **Enyu Wei, Tianjin (CN)**
(73) Assignee: **TIANJIN YUNDA INDUSTRY AND TRADE CO., LTD., Tianjin (CN)**

D722,132 S * 2/2015 Foohey D23/209
D786,399 S * 5/2017 Brixius D23/209
D832,394 S * 10/2018 Sutton D23/209
D840,502 S * 2/2019 MacDonald D23/209
D847,300 S * 4/2019 Graham D23/209
10,584,040 B2 * 3/2020 Campbell C02F 1/003
10,918,982 B1 * 2/2021 Sutton B01D 29/21

(Continued)

(**) Term: **15 Years**
(21) Appl. No.: **29/715,711**
(22) Filed: **Dec. 4, 2019**

(30) **Foreign Application Priority Data**

Sep. 4, 2019 (CN) 201930486393.5

(51) **LOC (13) Cl.** **23-01**
(52) **U.S. Cl.**

USPC **D23/209**

(58) **Field of Classification Search**

USPC D23/206, 207, 209, 213, 359, 365

CPC B01D 35/30; B01D 35/153; B01D 35/306;

B01D 2201/30; C02F 1/002; C02F 1/003

See application file for complete search history.

(56) **References Cited**

U.S. PATENT DOCUMENTS

D313,832 S * 1/1991 Petrucci C02F 1/003
D23/209
D317,040 S * 5/1991 Petrucci B01D 29/21
D23/209
5,919,362 A * 7/1999 Barnes B01D 27/06
210/232
D487,914 S * 3/2004 Schulze B01D 35/147
D23/209
D582,002 S * 12/2008 Suthmann B01D 29/114
D23/209
D610,649 S * 2/2010 Kulikov B01D 27/06
D23/209
D698,005 S * 1/2014 Rowe D23/209

OTHER PUBLICATIONS

Culligan Filter found on May 13, 2021 at <https://www.amazon.com/Culligan-US-600A-Undersink-Drinking-Filtration/dp/B0002YXMG8/> (Year: 2006).*

Primary Examiner — Karen S Acker

Assistant Examiner — Jonathan E Fiencke

(74) *Attorney, Agent, or Firm* — Mei & Mark LLP

(57) **CLAIM**

The ornamental design for a water filter, as shown and described.

DESCRIPTION

FIG. 1 is a perspective view according to the present invention;

FIG. 2 is a front view thereof;

FIG. 3 is a rear view thereof;

FIG. 4 is a left view thereof;

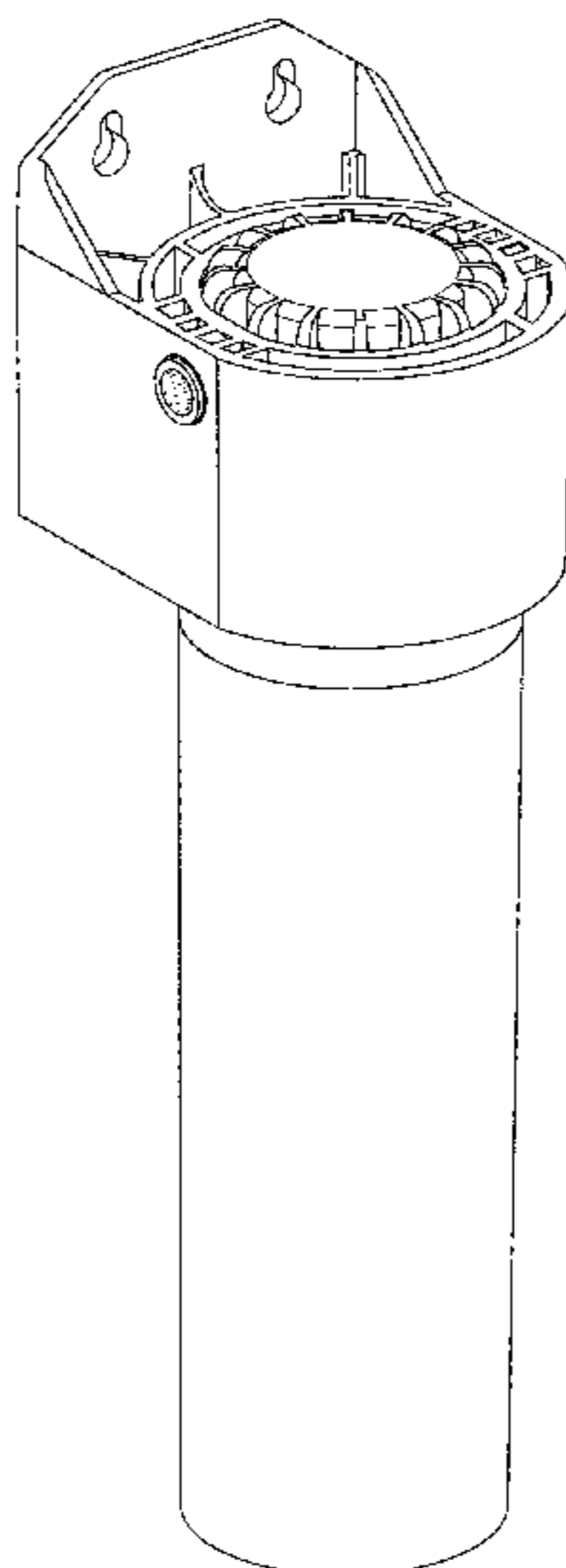
FIG. 5 is a right view thereof;

FIG. 6 is a top view thereof; and,

FIG. 7 is a bottom view of a water filter thereof.

The broken lines in FIGS. 1 and 3-5 depict portions of the water filter that form no part of the claimed design. In FIGS. 6 and 7, the broken lines and areas within and adjacent to solid lines depict portions of the water filter that form no part of the claimed design. The dot dash dot broken line in FIG. 7 denotes a boundary to the claim and forms no part thereof.

1 Claim, 4 Drawing Sheets



(56)

References Cited

U.S. PATENT DOCUMENTS

2014/0319050 A1* 10/2014 Shaffer C02F 1/003
210/493.5
2015/0182894 A1* 7/2015 Shaffer B01D 35/147
210/238
2019/0209952 A1* 7/2019 Prince B01D 29/114

* cited by examiner

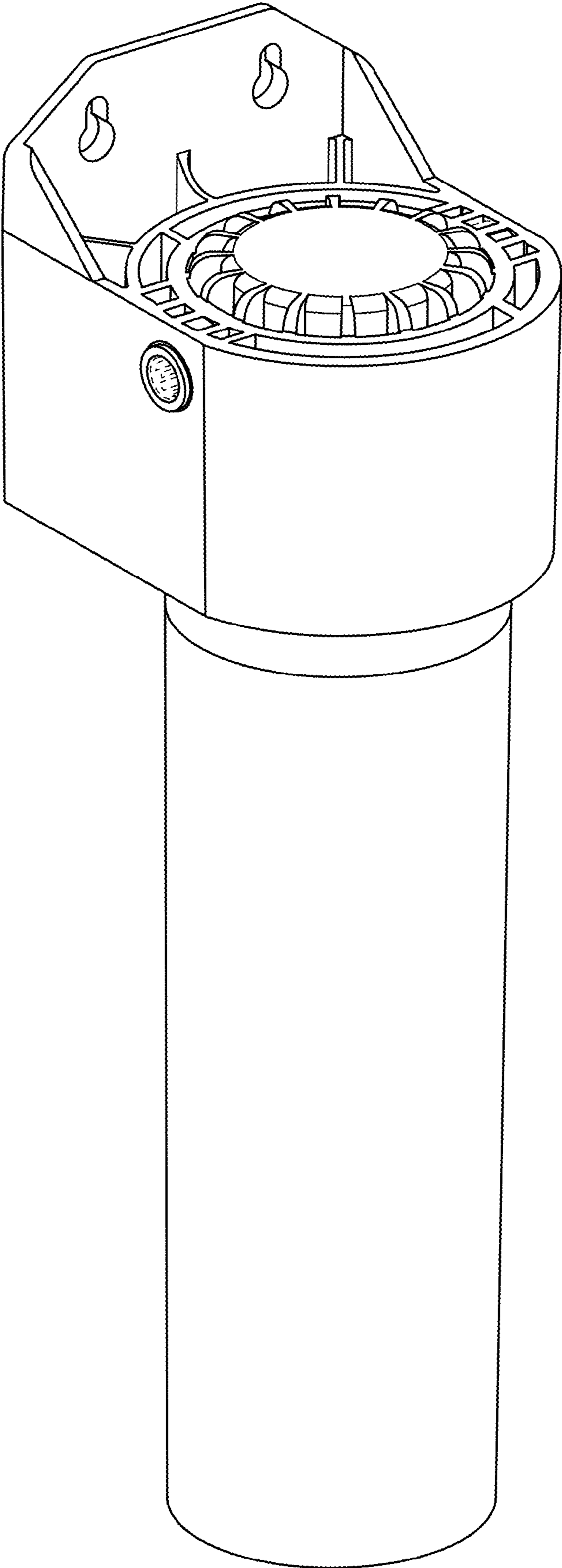


FIG. 1

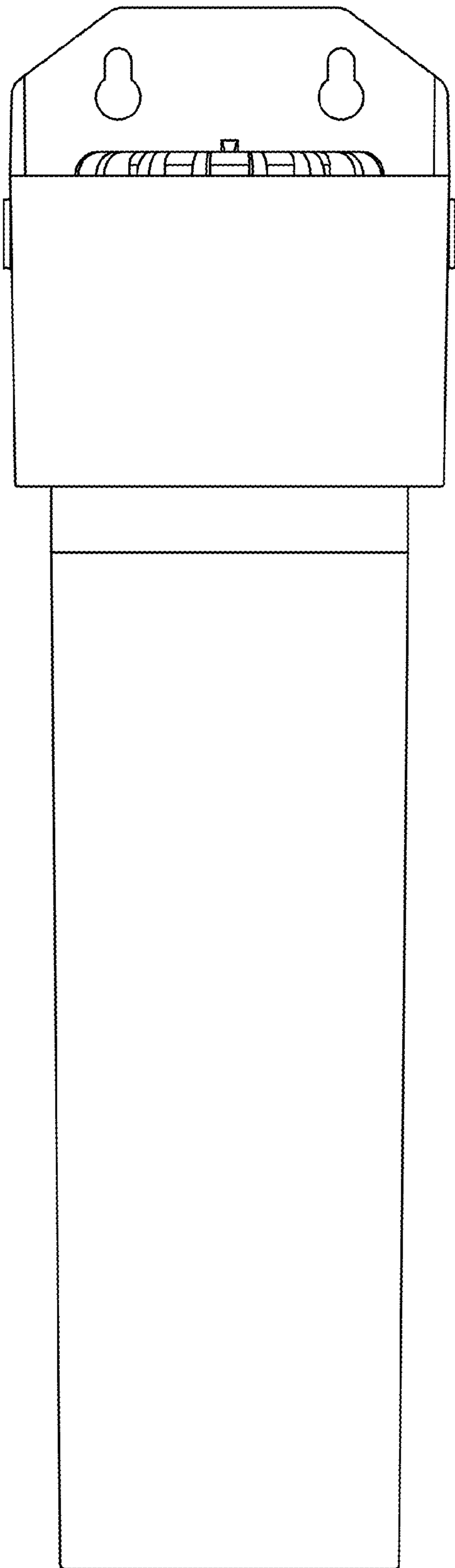


FIG. 2

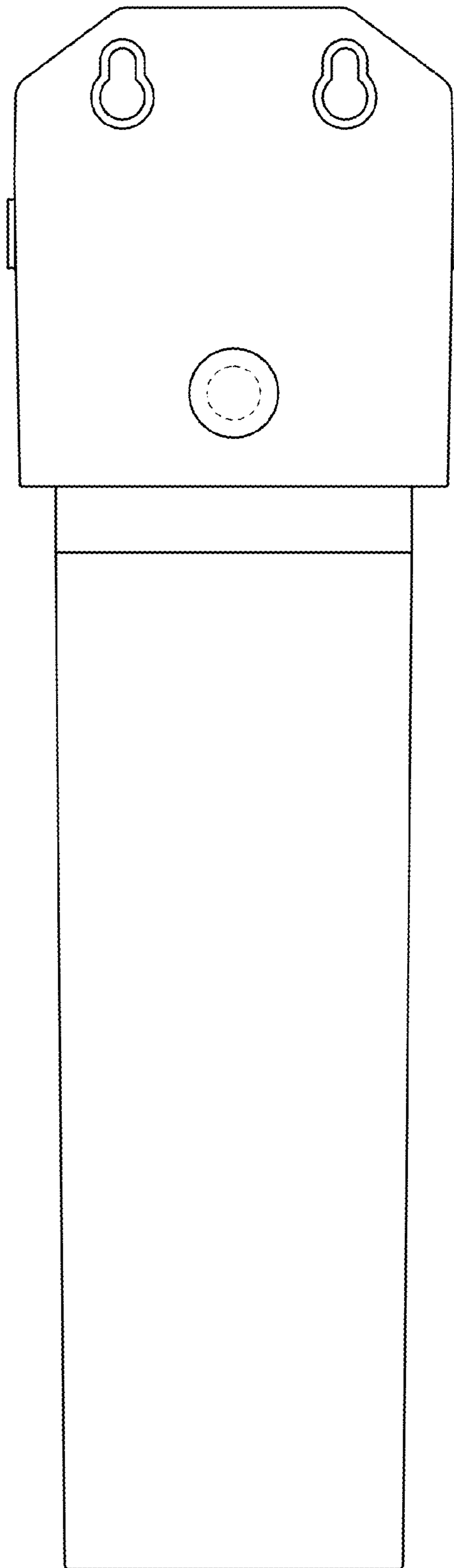


FIG. 3

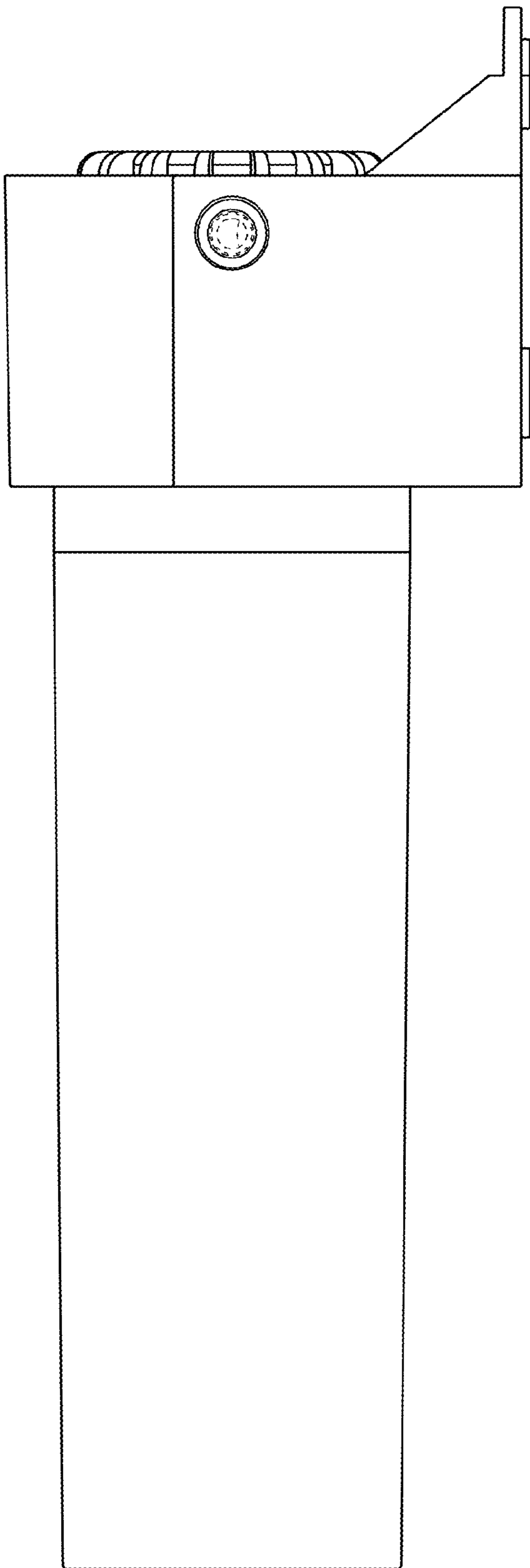


FIG. 4

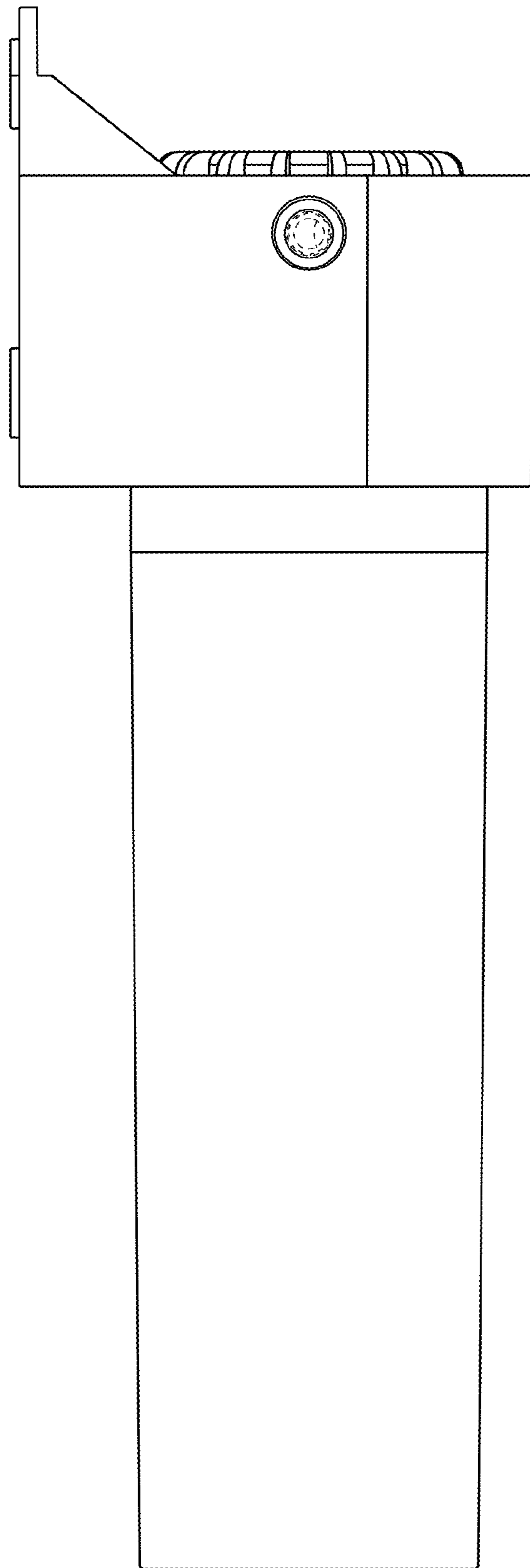


FIG. 5

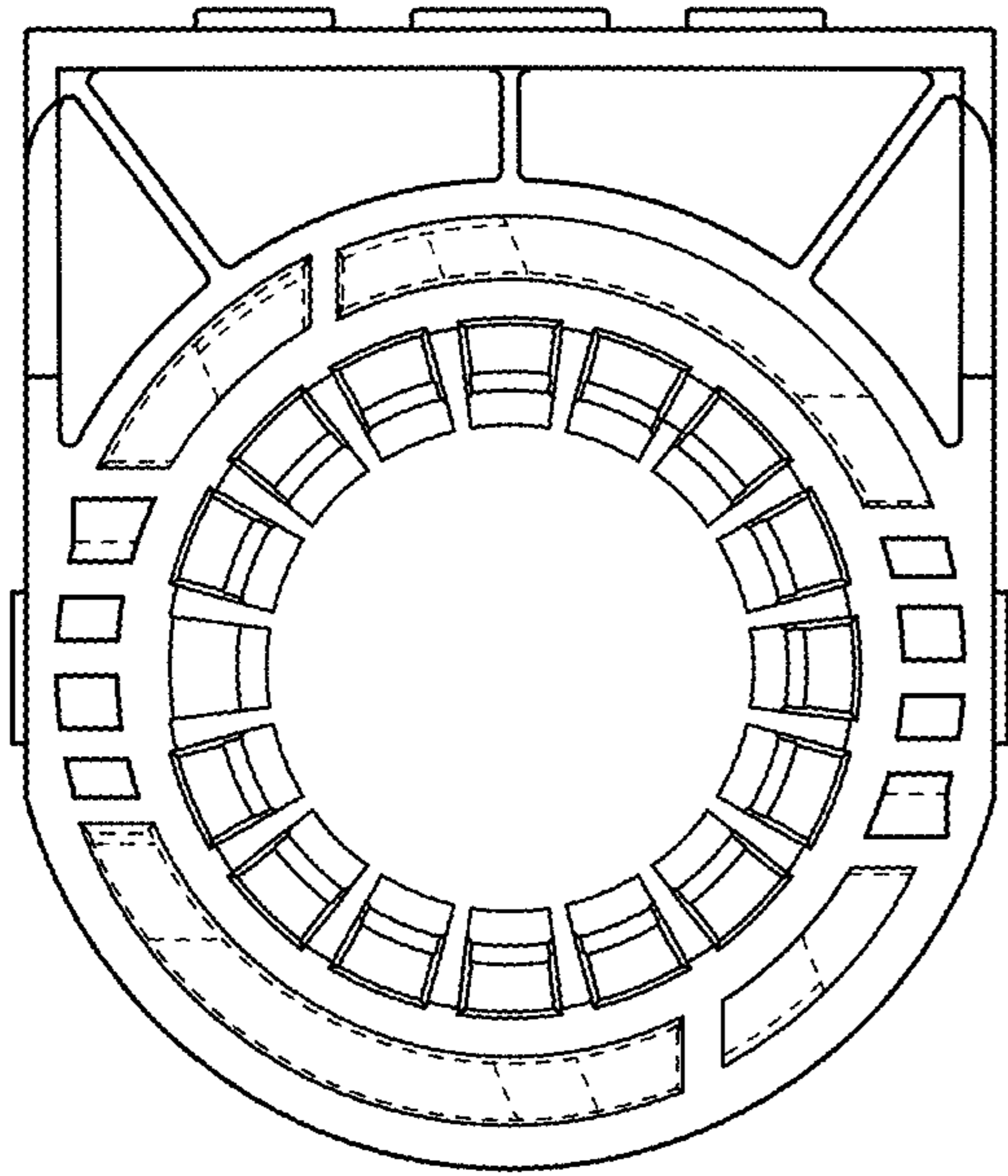


FIG. 6

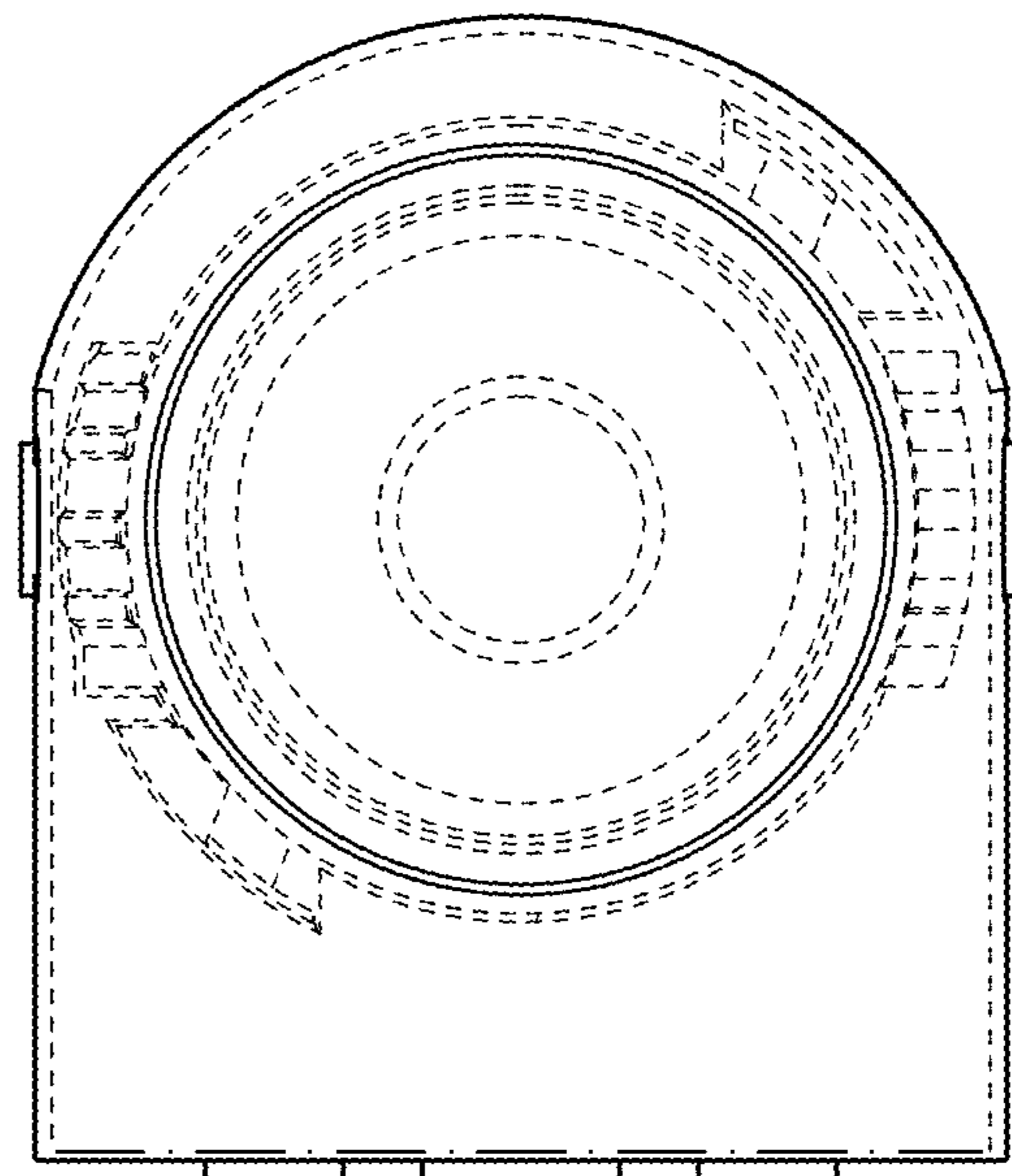


FIG. 7