



US00D945558S

(12) **United States Design Patent**
Yu

(10) **Patent No.:** **US D945,558 S**
(45) **Date of Patent:** **** Mar. 8, 2022**

(54) **CLOSED PET WATER PURIFIER FILTER**

(71) Applicant: **Shanghai Dijie Industrial Co., Ltd.**,
Shanghai (CN)

(72) Inventor: **Huan Yu**, Shanghai (CN)

(**) Term: **15 Years**

(21) Appl. No.: **29/698,565**

(22) Filed: **Jul. 18, 2019**

(51) **LOC (13) Cl.** **23-01**

(52) **U.S. Cl.**

USPC **D23/209**

(58) **Field of Classification Search**

USPC D23/207, 208, 209, 210

CPC B01D 61/00; B01D 63/00; C02F 1/002;

C02F 1/003; C02F 1/005; C02F 2307/02;

C02F 2307/04; C02F 2307/06; C02F

2307/10

See application file for complete search history.

(56) **References Cited**

U.S. PATENT DOCUMENTS

433,710	A *	8/1890	Aims	210/449
5,152,464	A *	10/1992	Farley	B05B 15/40
				239/553.3
5,549,822	A *	8/1996	Ferguson	B01D 29/055
				210/238
D406,874	S *	3/1999	Farley	D23/209
6,354,344	B1 *	3/2002	Pluta	B67D 3/0029
				141/192
6,945,289	B2 *	9/2005	Marszalec	B01D 35/153
				141/286
7,163,157	B2 *	1/2007	Goncze	G05D 23/1346
				236/12.16
D719,829	S *	12/2014	Ferber	D9/503
9,149,745	B2 *	10/2015	Senninger	C02F 1/283
D791,276	S *	7/2017	Sharratt	D23/209
D802,714	S *	11/2017	Williamson	D23/213
D859,581	S *	9/2019	Ye	D23/207

D882,727	S *	4/2020	Lee	D23/207
D892,262	S *	8/2020	Braden	D23/202
2006/0076056	A1 *	4/2006	Schmitt	E03C 1/04
				137/216
2009/0008321	A1 *	1/2009	Tanner	C02F 1/003
				210/440
2013/0213877	A1 *	8/2013	Lin	C02F 1/003
				210/338
2014/0048469	A1 *	2/2014	Wilder	B01D 29/56
				210/232

(Continued)

OTHER PUBLICATIONS

“Luxury Drinking Fountain”, Apr. 20, 2019, Bol, site visited May 17, 2021: <https://www.bol.com/nl/p/luxe-drinkfontein-kat-hond-stille-waterfontein-kattenfontein-honden-katten-fontein-1-51/9200000109375819/> (Year: 2019).*

(Continued)

Primary Examiner — Jack Reickel

Assistant Examiner — Bobby W Jones, II

(57)

CLAIM

The ornamental design for a closed pet water purifier filter, as shown and described.

DESCRIPTION

FIG. 1 is a front view of a closed pet water purifier filter showing my new design;

FIG. 2 is a rear view thereof;

FIG. 3 is a left view thereof;

FIG. 4 is a right view thereof;

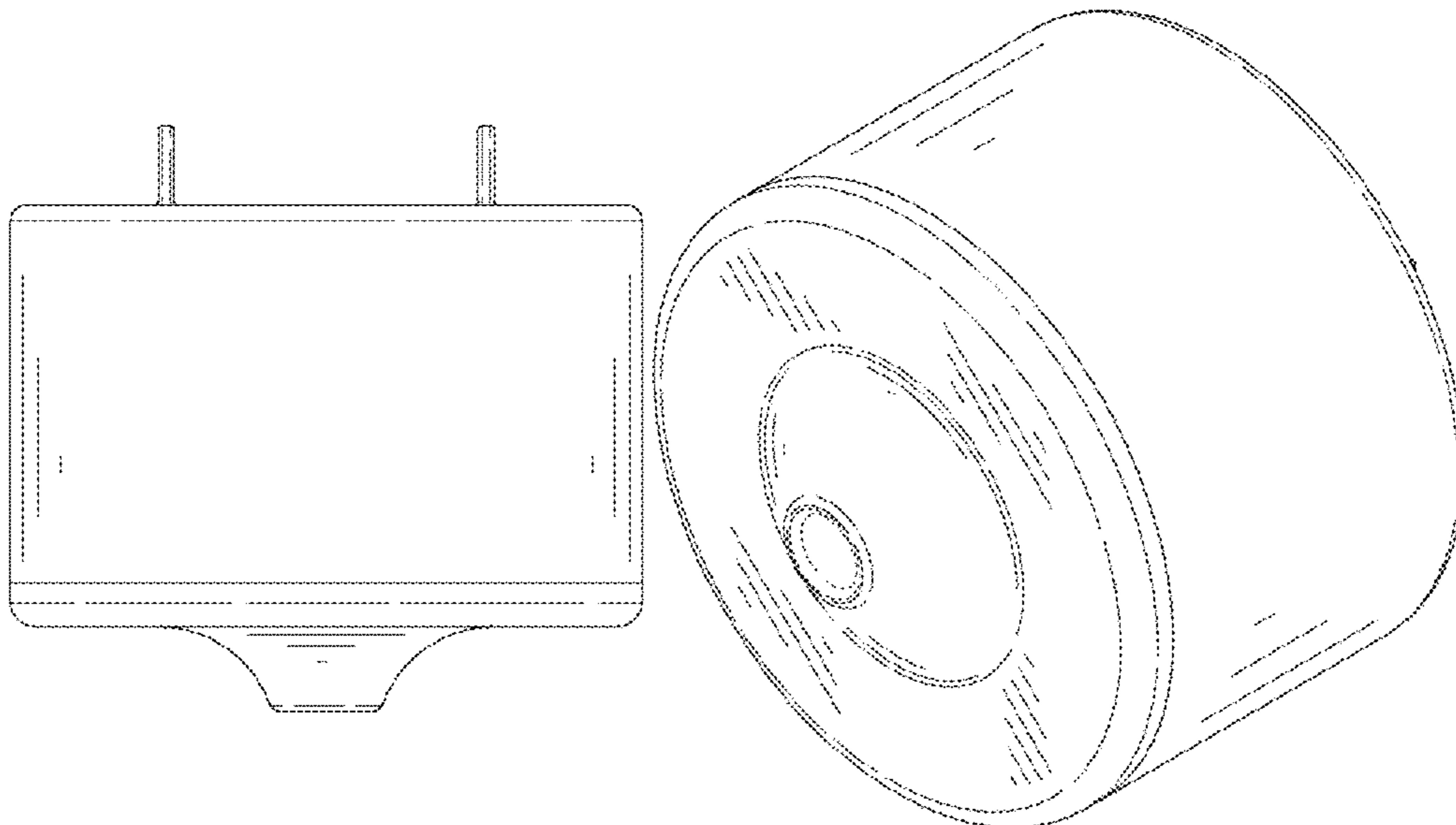
FIG. 5 is a top view thereof;

FIG. 6 is a bottom view thereof; and,

FIG. 7 is a perspective view thereof.

The broken lines shown in the drawings depict portions of the closed pet water purifier filter that form no part of the claimed design.

1 Claim, 7 Drawing Sheets



(56)

References Cited

U.S. PATENT DOCUMENTS

2014/0263066 A1* 9/2014 Senninger B01D 39/2017
210/660
2018/0065863 A1* 3/2018 Wilder C02F 1/003
2018/0207560 A1* 7/2018 Shotey C02F 1/003
2019/0099700 A1* 4/2019 Jiang C02F 1/003
2020/0254365 A1* 8/2020 Schmitt B01D 29/33

OTHER PUBLICATIONS

“Parading Pets Water Fountain” Jun. 1, 2019, Amazon, site visited
May 15, 2021: <https://www.amazon.com/dp/B07QM9JCMQ/> (Year:
2019).*

“Clearly Filtered Pitcher”, Oct. 9, 2017, Amazon, site visited May
17, 2021: <https://www.amazon.com/dp/B076B6FXT5/> (Year: 2017).*

“Aquacrest FXSCH Shower Water Filter”, Aug. 25, 2016, Amazon,
site visited May 17, 2021: [https://www.amazon.com/dp/
B01KZ2OLOS/](https://www.amazon.com/dp/B01KZ2OLOS/) (Year: 2016).*

* cited by examiner

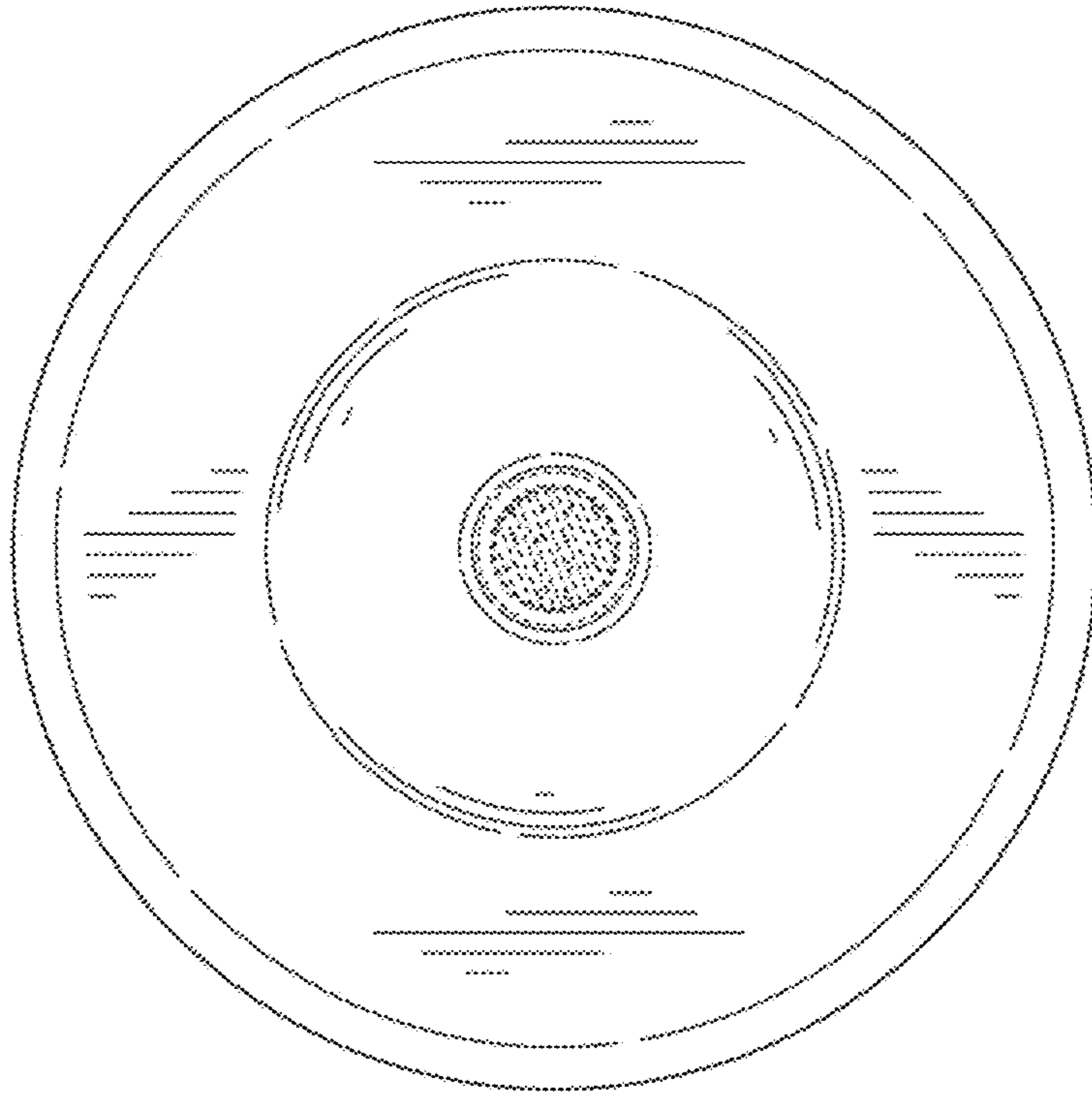


FIG. 1

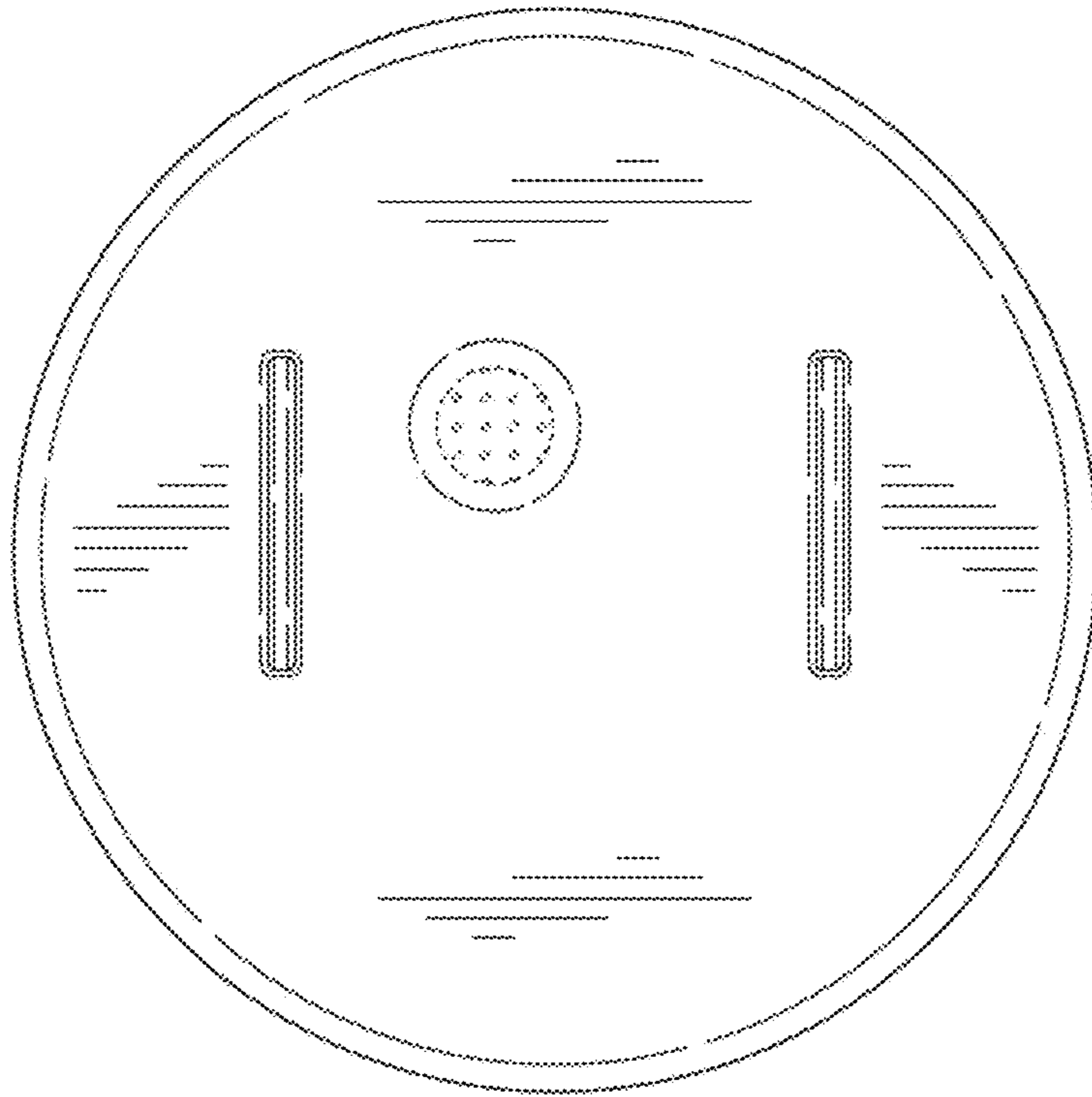


FIG. 2

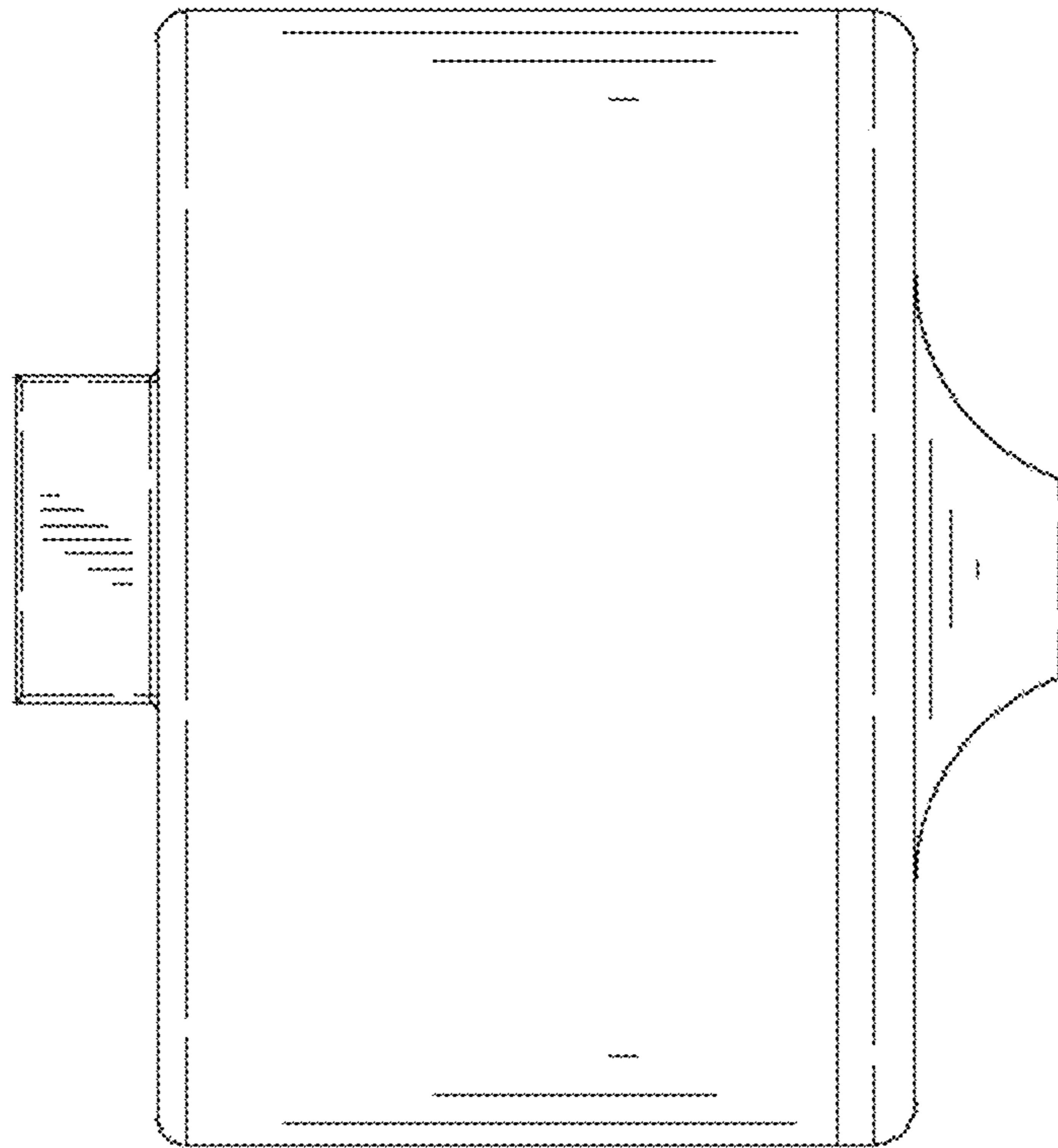


FIG. 3

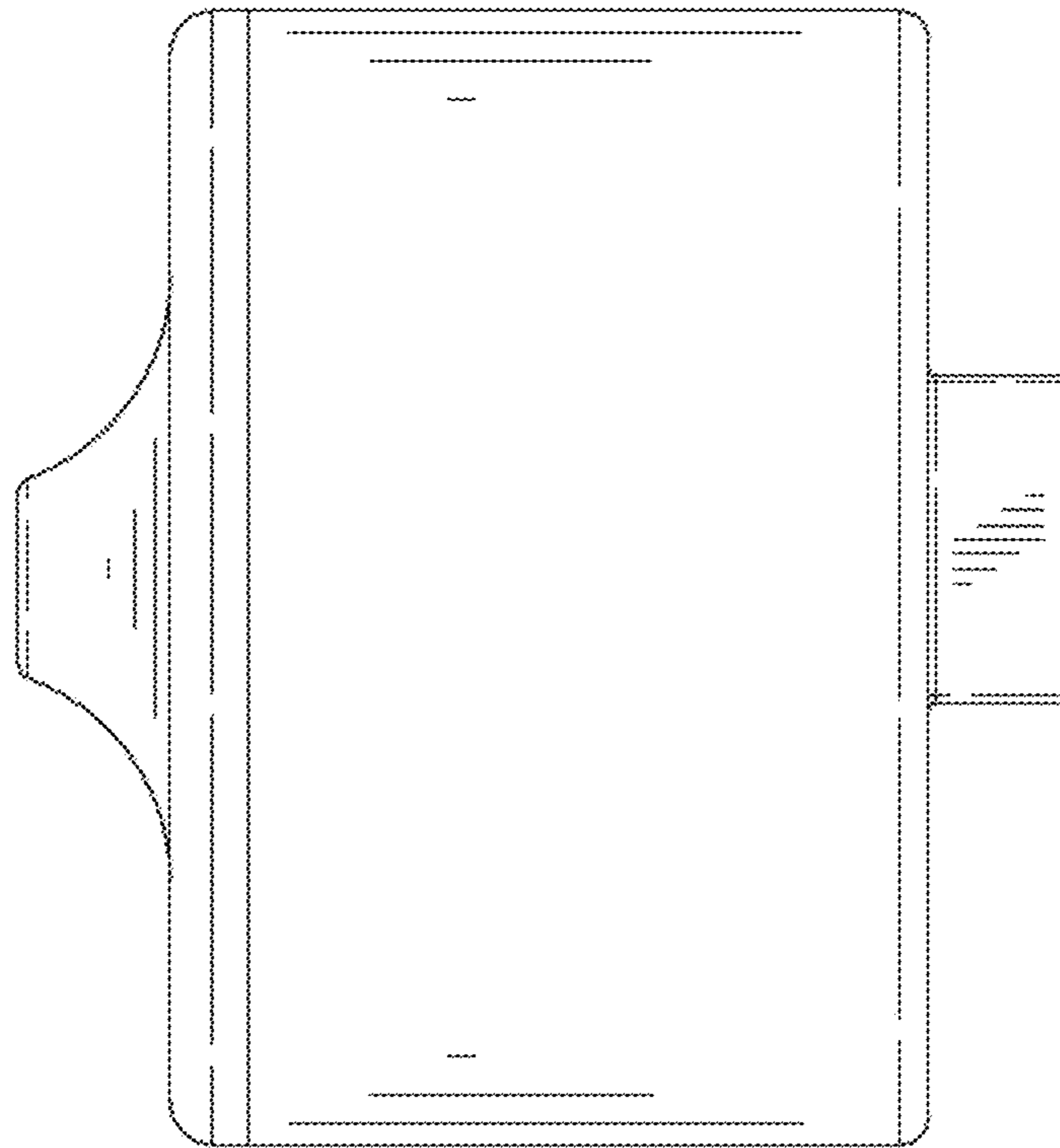


FIG. 4

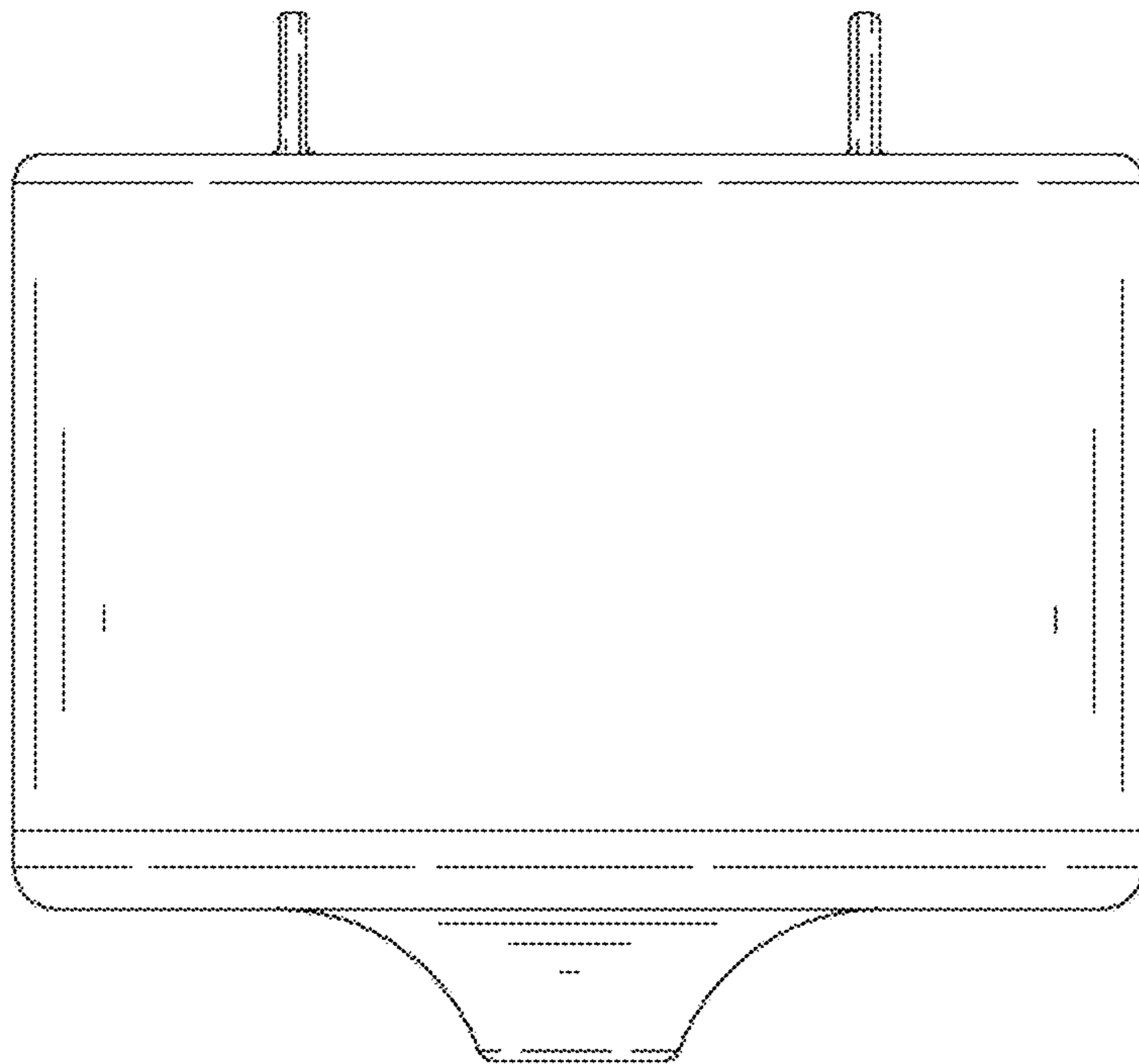


FIG. 5

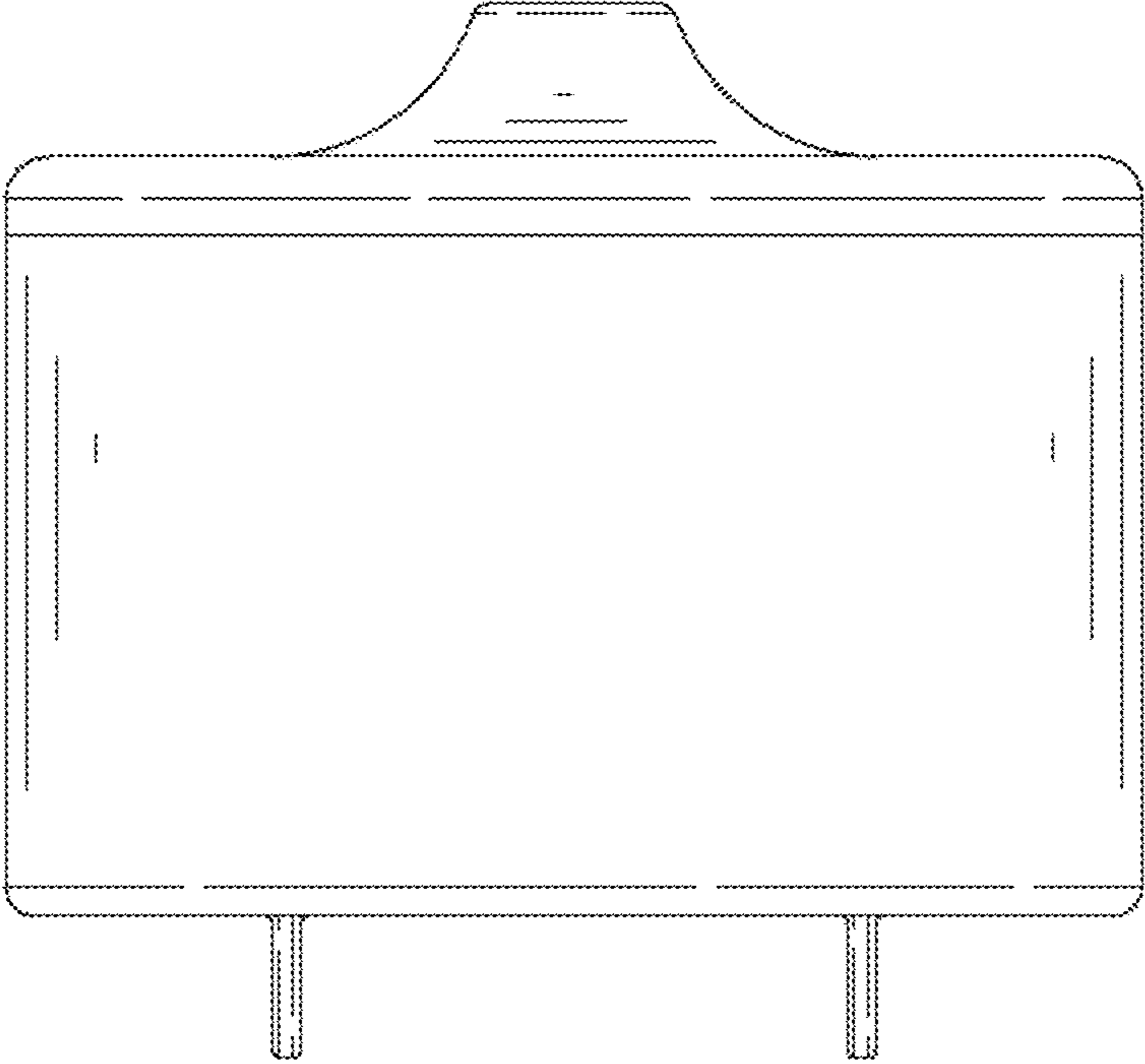


FIG. 6

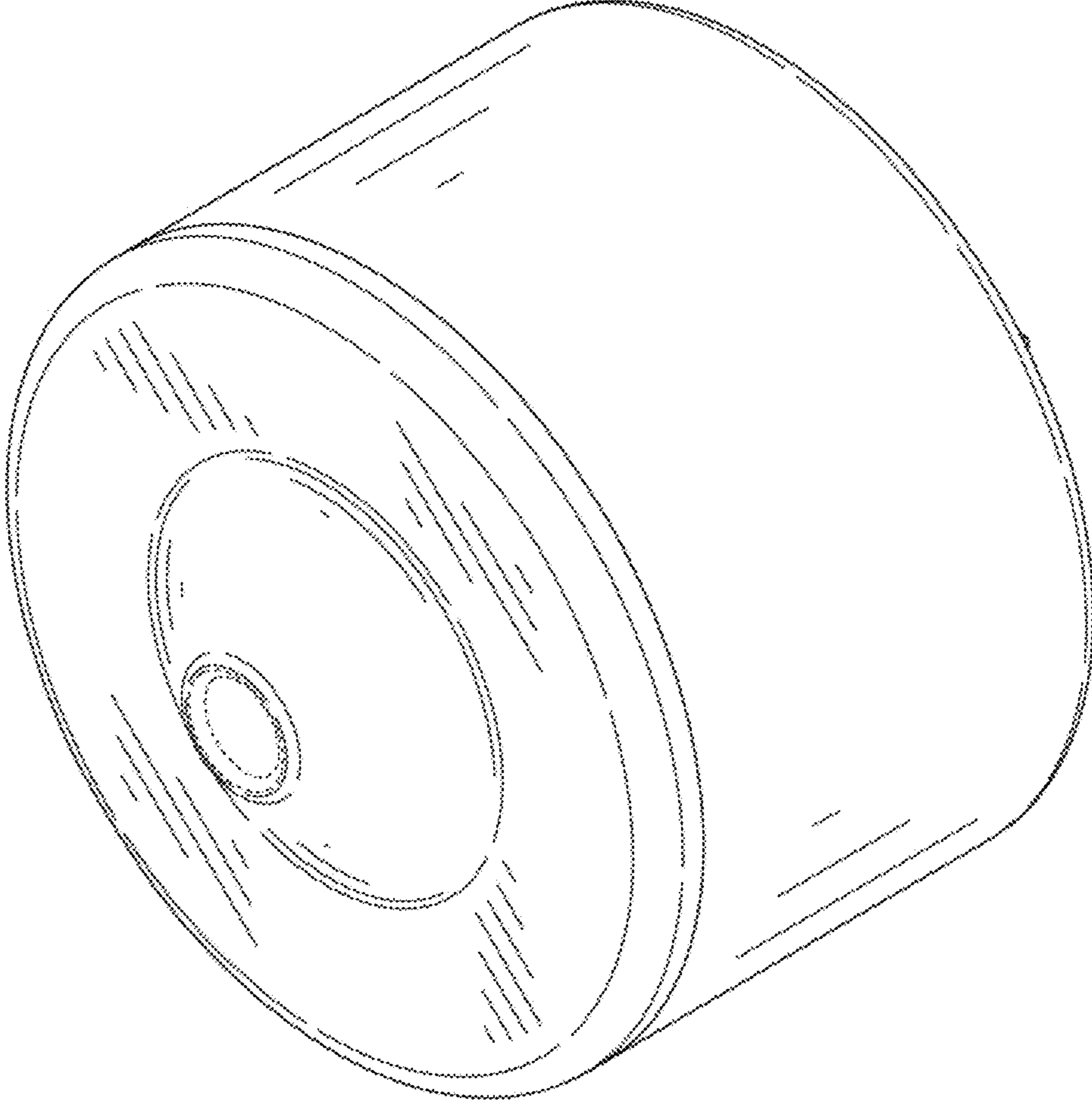


FIG. 7