



US00D945555S

(12) **United States Design Patent**  
**Tang**

(10) **Patent No.:** **US D945,555 S**  
(45) **Date of Patent:** **\*\* Mar. 8, 2022**

(54) **ULTRASONIC DOG REPELLER**

D723,654 S \* 3/2015 Liu ..... D22/120  
D869,598 S \* 12/2019 Gu ..... D22/120  
D897,485 S \* 9/2020 He ..... D22/120

(71) Applicant: **Shenzhen Yufeng Technology Co., Ltd.**, Shenzhen (CN)

(72) Inventor: **Hongcui Tang**, Shenzhen (CN)

(73) Assignee: **SHENZHEN YUFENG TECHNOLOGY CO., LTD.**, Shenzhen (CN)

(\*\*) Term: **15 Years**

(21) Appl. No.: **29/746,825**

(22) Filed: **Aug. 18, 2020**

(51) **LOC (13) Cl.** ..... **22-06**

(52) **U.S. Cl.**  
USPC ..... **D22/120**

(58) **Field of Classification Search**  
USPC ..... D22/120; D10/104.1; D23/366–367;  
D30/110–111

CPC ..... A01M 1/06; A01M 1/08; A01M 1/026;  
A01M 1/2011; A01M 23/38; A01M  
29/00; A01M 29/12; A01M 29/16; A01M  
29/34; A01M 29/28; A01M 2200/011;  
A01M 2200/012; A01M 3/05

See application file for complete search history.

(56) **References Cited**

**U.S. PATENT DOCUMENTS**

D410,062 S \* 5/1999 Jan ..... D22/120  
D435,320 S \* 12/2000 Fick ..... D30/110

**OTHER PUBLICATIONS**

[https://www.lightinthebox.com/en/p/pet-dog-ultrasonic-bark-control-device-upgraded-rechargeable-digital-bark-control-outdoor-anti-barking-dog-bark-control-sonic-bark-deterrents\\_p7812801.html?currency=USD&litb\\_from=paid\\_adwords\\_shopping&sku=1\\_6919&country\\_code=us](https://www.lightinthebox.com/en/p/pet-dog-ultrasonic-bark-control-device-upgraded-rechargeable-digital-bark-control-outdoor-anti-barking-dog-bark-control-sonic-bark-deterrents_p7812801.html?currency=USD&litb_from=paid_adwords_shopping&sku=1_6919&country_code=us) (Year: 2021).\*

\* cited by examiner

*Primary Examiner* — Catherine R Oliver-Garcia  
(74) *Attorney, Agent, or Firm* — WPAT, PC

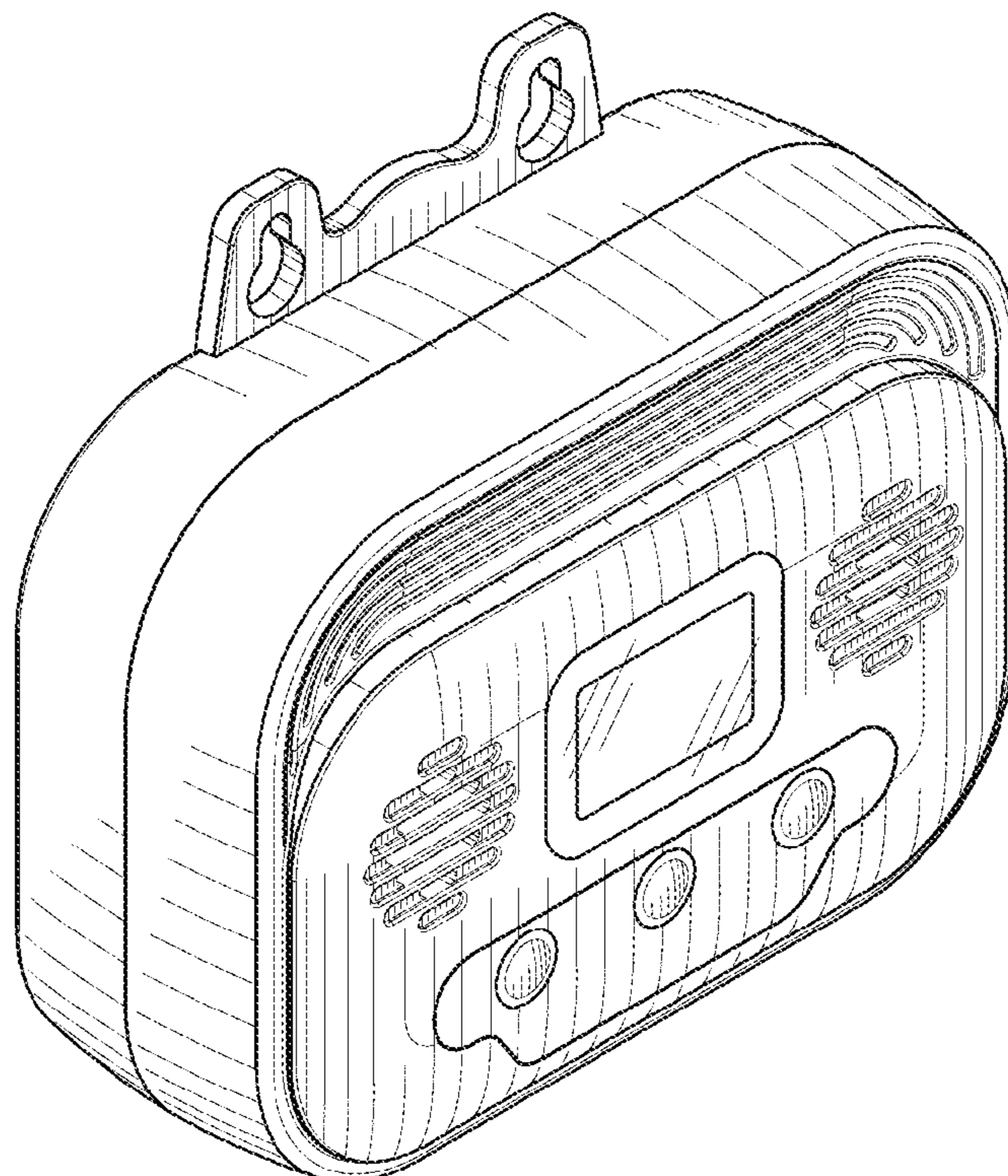
(57) **CLAIM**

The ornamental design for an ultrasonic dog repeller, as shown and described.

**DESCRIPTION**

FIG. 1 is a perspective view of an ultrasonic dog repeller, showing the new design;  
FIG. 2 is a front view thereof;  
FIG. 3 is a rear view thereof;  
FIG. 4 is a left-side view thereof;  
FIG. 5 is a right-side view thereof;  
FIG. 6 is a top view thereof; and,  
FIG. 7 is a bottom view thereof.

**1 Claim, 6 Drawing Sheets**



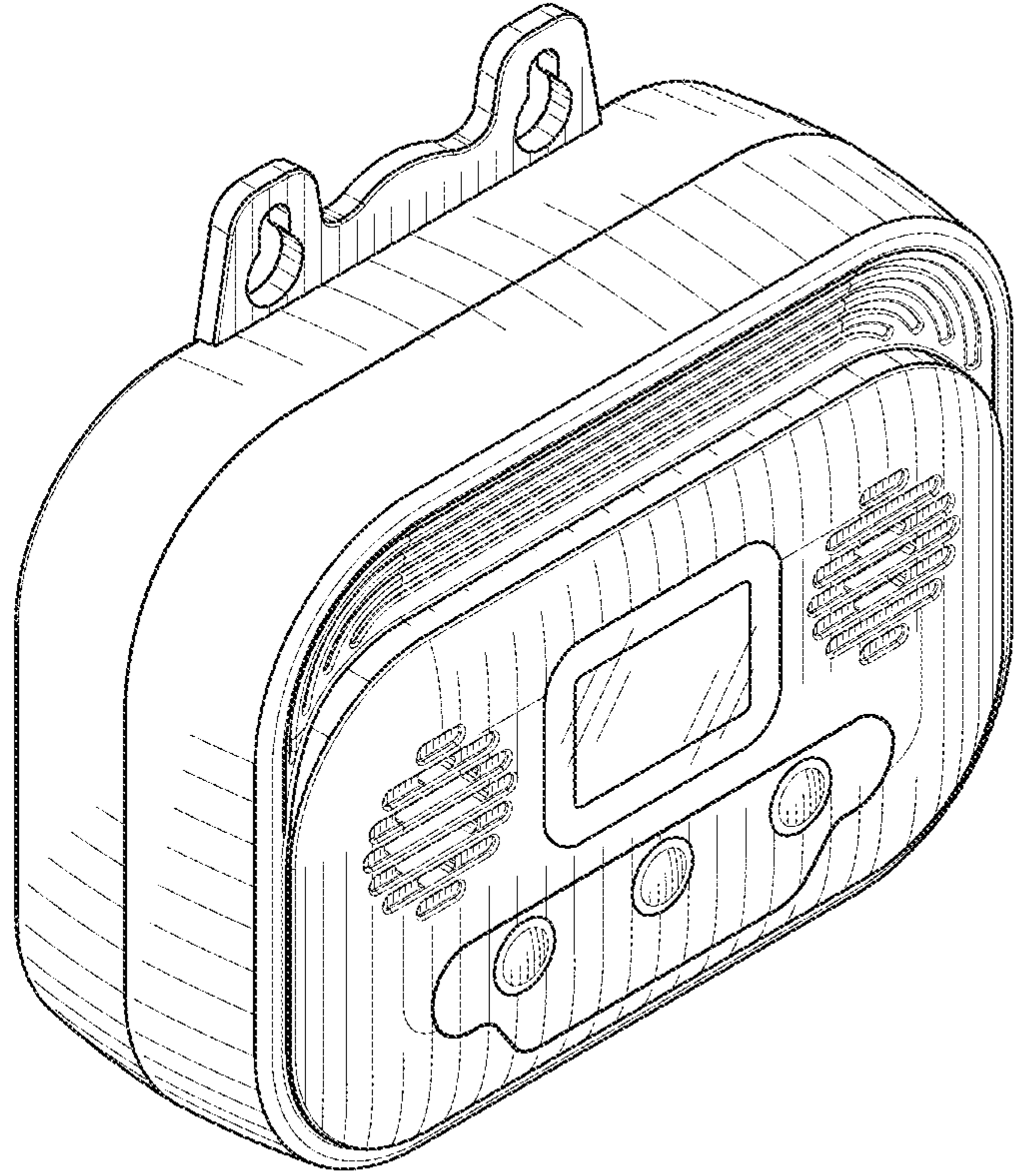


FIG. 1

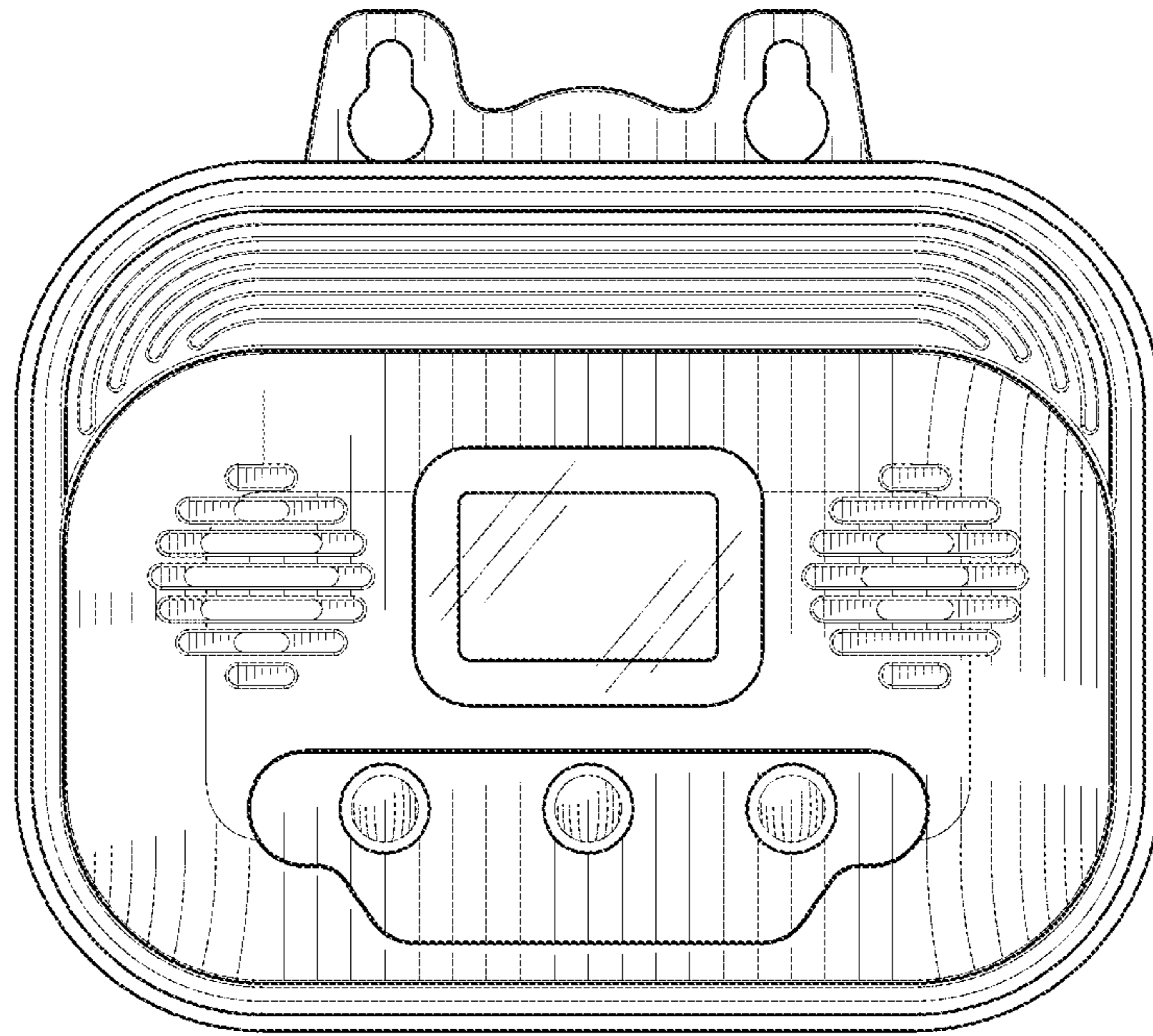


FIG. 2

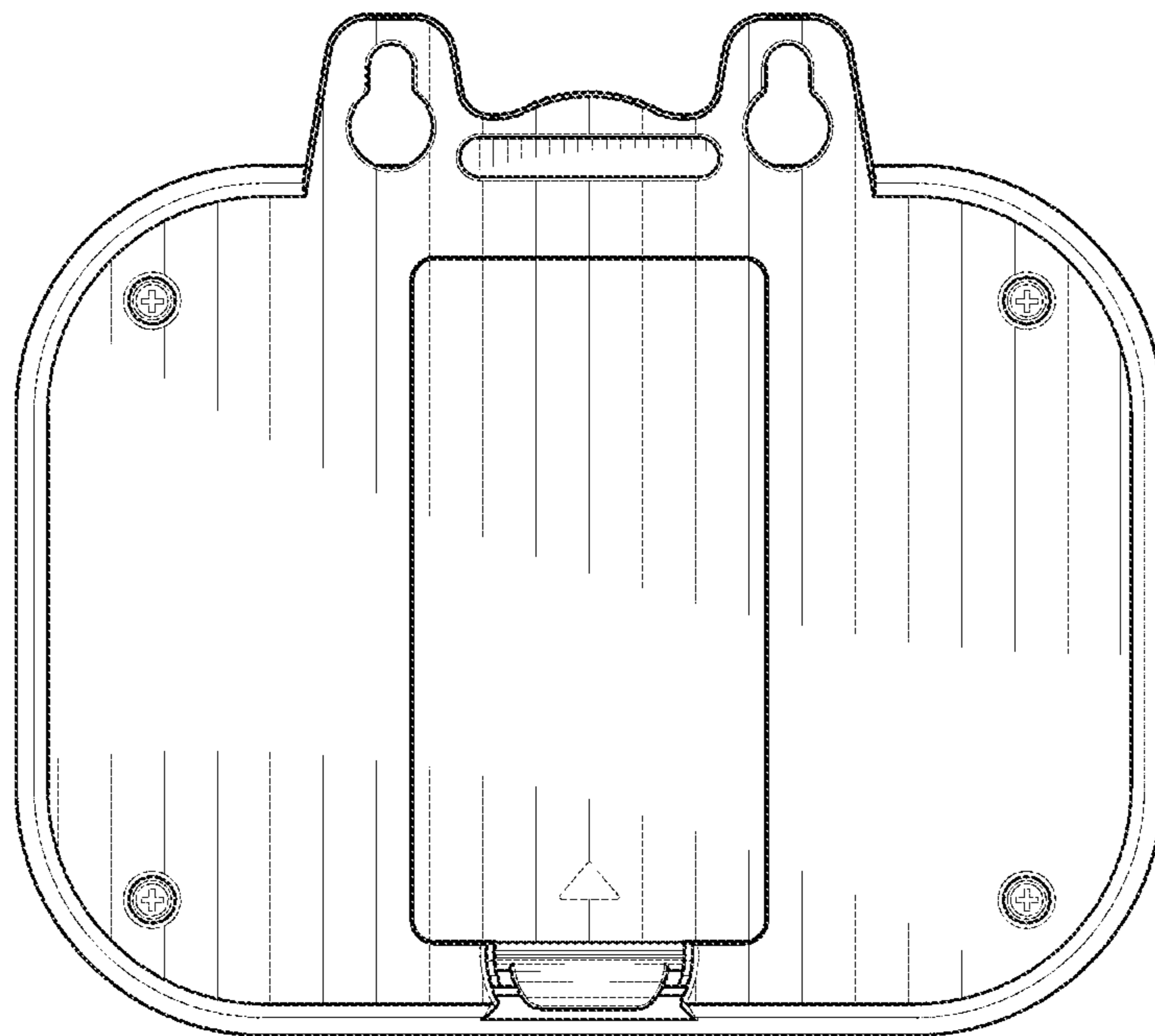


FIG. 3

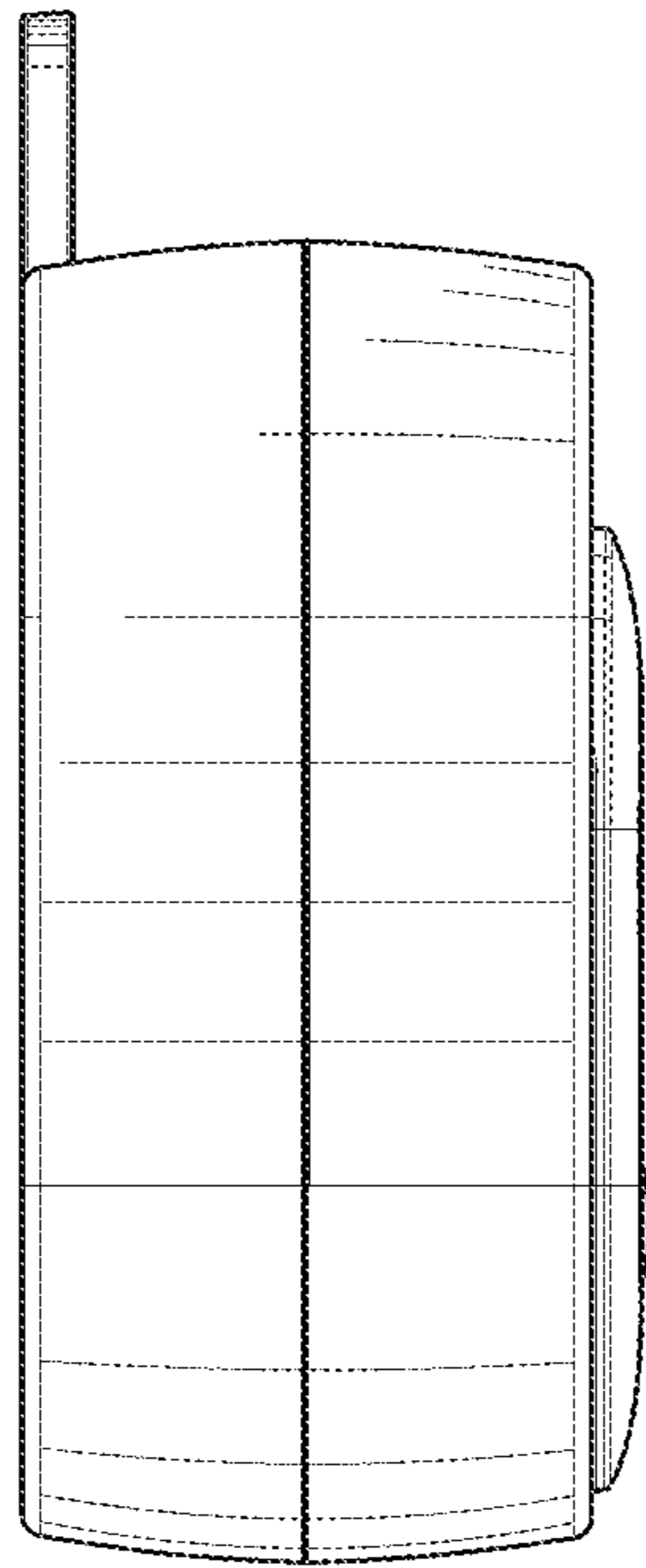


FIG. 4

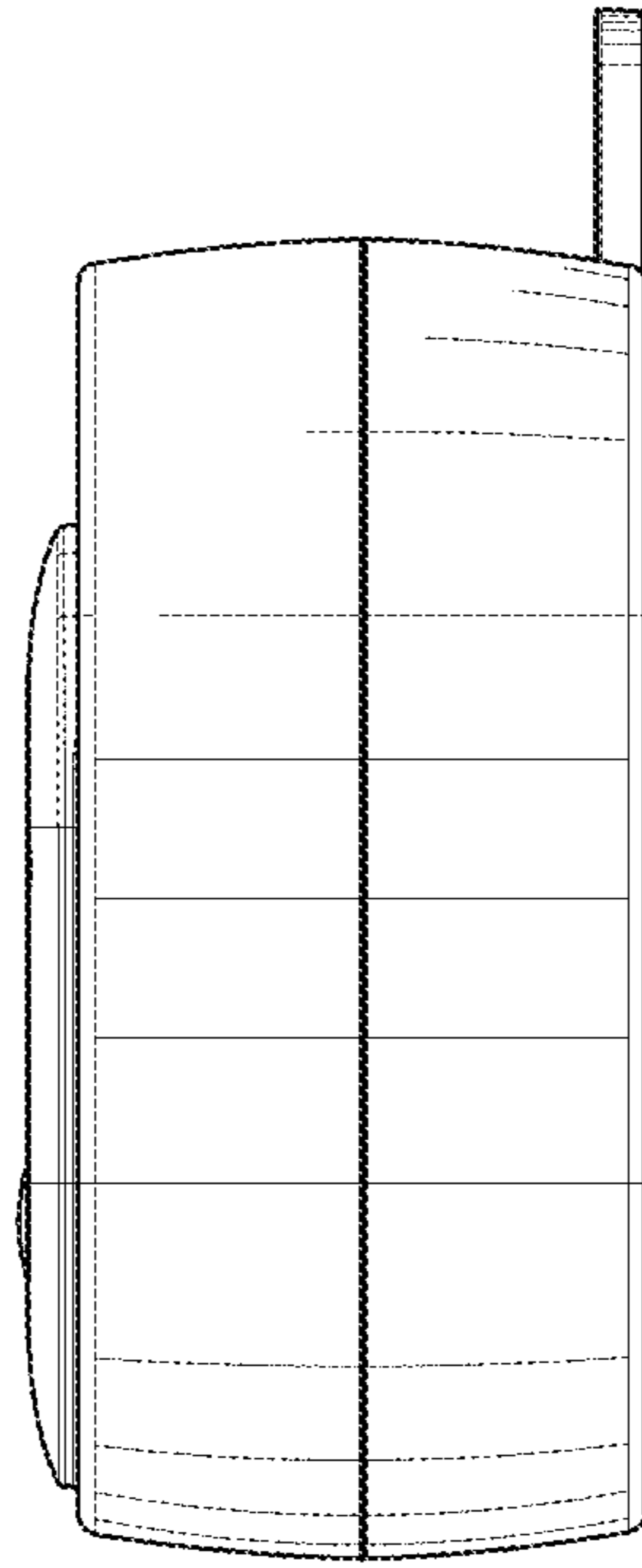


FIG. 5

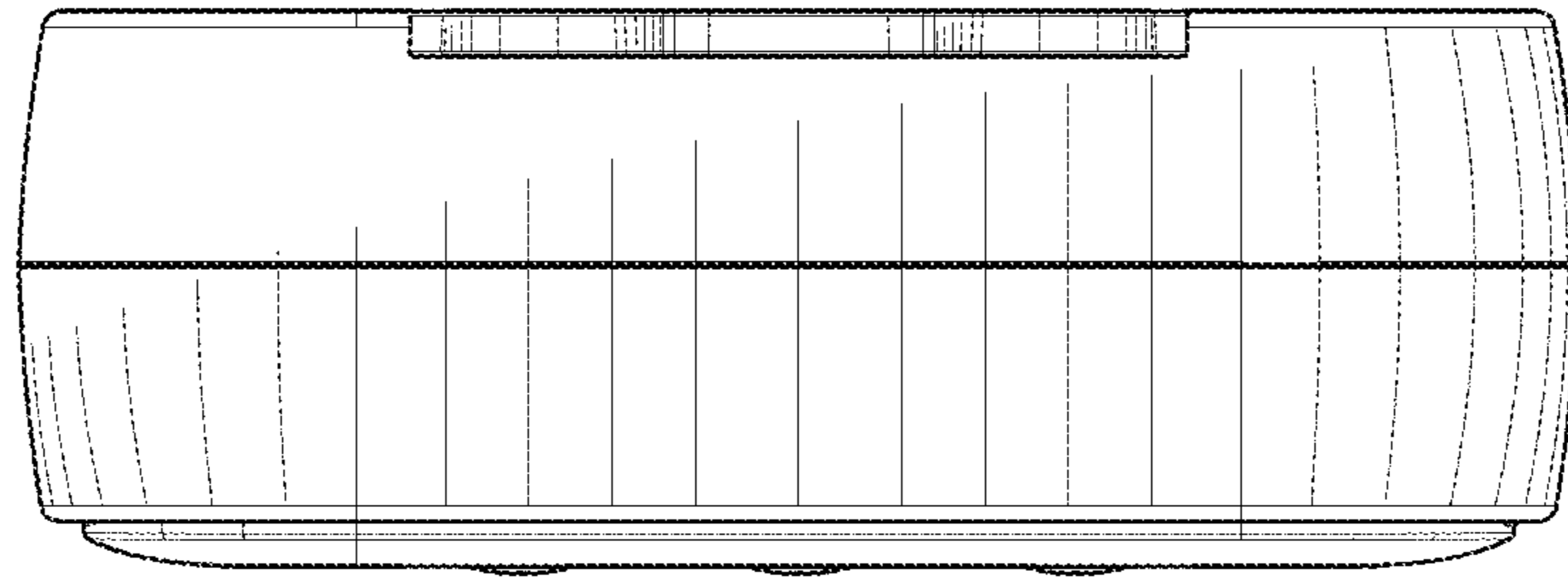


FIG. 6

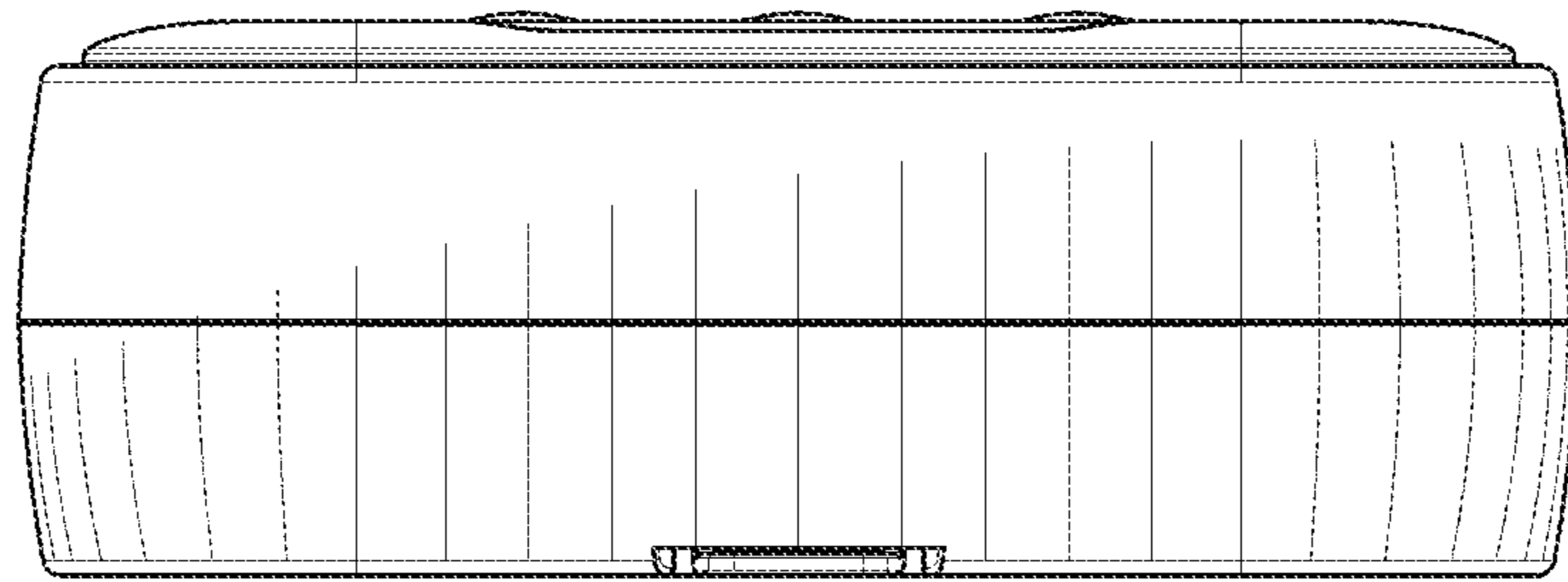


FIG. 7