



US00D945553S

(12) **United States Design Patent**  
**Drake et al.**

(10) **Patent No.:** **US D945,553 S**  
(45) **Date of Patent:** **\*\* Mar. 8, 2022**

- (54) **CHASSIS**
- (71) Applicant: **Drake Associates, Inc.**, Vero Beach, FL (US)
- (72) Inventors: **Christopher Drake**, Vero Beach, FL (US); **Leslie C. Blahut**, Vero Beach, FL (US)
- (73) Assignee: **DRAKE ASSOCIATES, INC.**, Vero Beach, FL (US)
- (\*\*) Term: **15 Years**
- (21) Appl. No.: **29/745,680**
- (22) Filed: **Aug. 7, 2020**

7,926,217 B2 4/2011 McCann  
 D662,167 S \* 6/2012 Juarez ..... D22/103  
 8,234,808 B2 8/2012 Lewis et al.  
 D722,672 S \* 2/2015 Juarez ..... D22/108  
 (Continued)

**FOREIGN PATENT DOCUMENTS**

WO 2016025534 A1 2/2016

**OTHER PUBLICATIONS**

“Athena Precision Chassis Tactical Rifle—Button Barrel” Drake Associates., posted date Oct. 25, 2019 [online], [retrieved on Oct. 21, 2021]. Retrieved from the Internet <URL: <https://drakeassociates.us/product/athena-precision-chassis-tactical-rifle-light-caliber-system-5-56-5/>> (Year: 2019).\*

(Continued)

**Related U.S. Application Data**

- (63) Continuation-in-part of application No. 16/272,836, filed on Feb. 11, 2019, now Pat. No. 10,739,107.
- (51) **LOC (13) Cl.** ..... **22-01**
- (52) **U.S. Cl.**  
USPC ..... **D22/108**
- (58) **Field of Classification Search**  
USPC ..... D22/100, 103, 108, 109, 113, 115  
CPC .... F41C 7/00; F41C 23/16; F41G 1/02; F41G 1/027; F41G 1/14; F41J 1/10; F42B 6/10; F42B 7/00; F42B 7/02; F41A 17/38  
See application file for complete search history.

*Primary Examiner* — Darlington Ly  
*Assistant Examiner* — Nasim Abdulaziz Ali  
 (74) *Attorney, Agent, or Firm* — Carter, DeLuca & Farrell LLP

(57) **CLAIM**

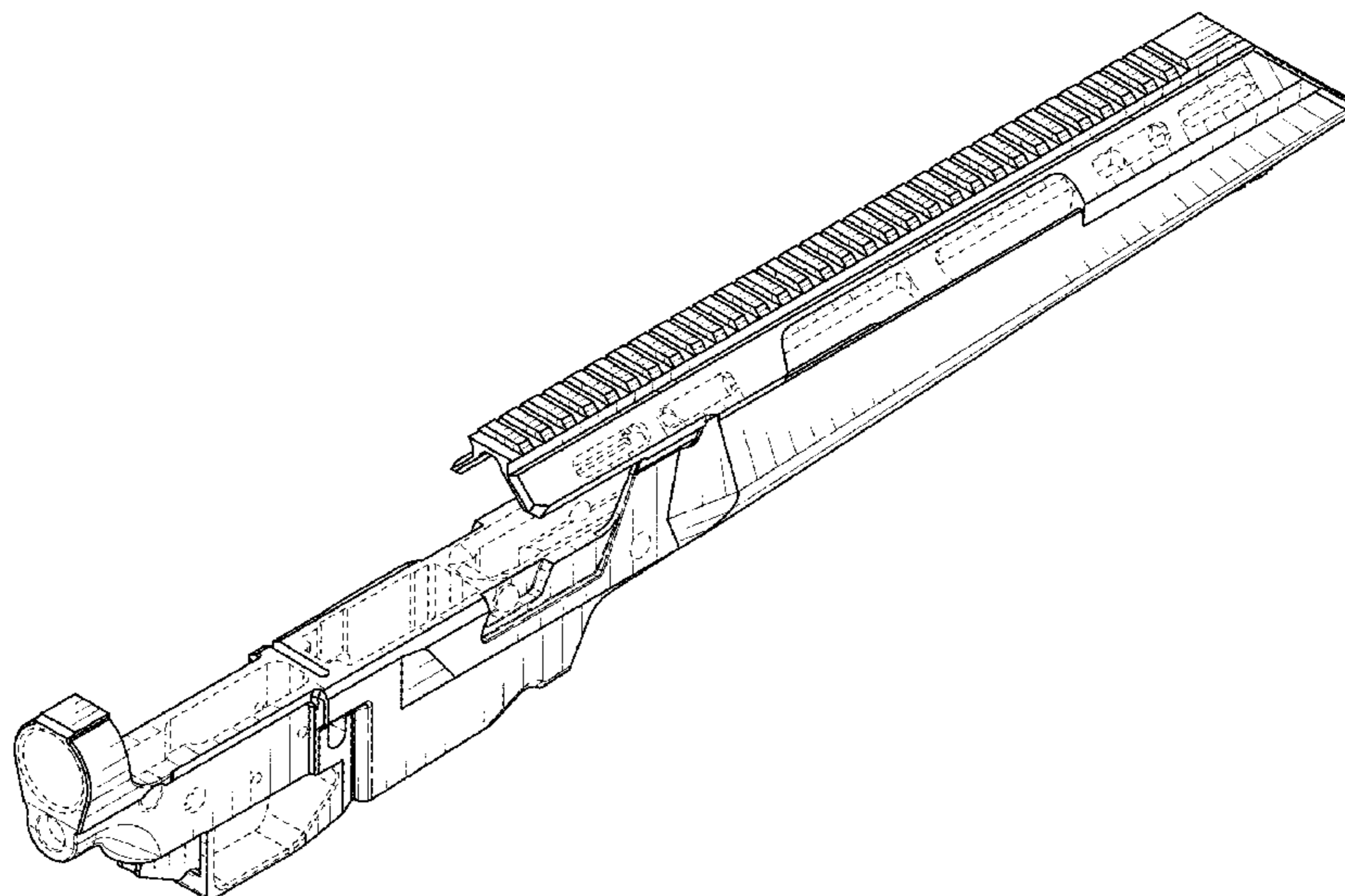
The ornamental design for a chassis, as shown and described.

**DESCRIPTION**

FIG. 1 is a top, front and left side perspective view of a chassis embodying our new design;  
 FIG. 2 is a front elevational view thereof;  
 FIG. 3 is a rear elevational view thereof;  
 FIG. 4 is a right side elevational thereof;  
 FIG. 5 is a left side elevational view thereof;  
 FIG. 6 is a top plan view thereof; and,  
 FIG. 7 is a bottom plan view thereof.  
 The broken lines shown are included for the purpose of illustrating a portion of the chassis that form no part of the claimed design.

**1 Claim, 4 Drawing Sheets**

- (56) **References Cited**  
U.S. PATENT DOCUMENTS
- |              |         |                   |
|--------------|---------|-------------------|
| 2,339,331 A  | 1/1944  | Grigg             |
| 2,717,465 A  | 9/1955  | Clark, Jr. et al. |
| 3,011,283 A  | 12/1961 | Lunn              |
| 3,340,641 A  | 9/1967  | Recker            |
| 5,711,102 A  | 1/1998  | Plaster et al.    |
| 5,873,189 A  | 2/1999  | Menke             |
| 6,637,142 B1 | 10/2003 | Reynolds          |
| 6,839,998 B1 | 1/2005  | Armstrong         |
| 7,428,795 B2 | 9/2008  | Herring           |



(56)

References Cited

U.S. PATENT DOCUMENTS

9,285,178 B2 3/2016 Sellars  
 D762,277 S \* 7/2016 Juarez ..... D22/108  
 D763,396 S \* 8/2016 Juarez ..... D22/108  
 9,534,859 B2 1/2017 Battaglia et al.  
 9,726,444 B1 8/2017 Sisk  
 9,766,025 B1 9/2017 Rood  
 9,851,175 B2 12/2017 Leasure  
 D833,563 S \* 11/2018 Snively ..... D22/108  
 10,132,583 B2 \* 11/2018 Drake ..... F41C 7/00  
 10,203,178 B2 2/2019 Drake  
 10,215,519 B2 2/2019 Drake  
 D873,366 S \* 1/2020 Smith ..... D22/103  
 D882,015 S \* 4/2020 Juarez ..... D22/108  
 10,739,107 B2 8/2020 Drake  
 2006/0272193 A1 12/2006 Zedrosser et al.  
 2007/0180750 A1 8/2007 Al-Mulla  
 2008/0244951 A1 10/2008 Picard  
 2009/0211140 A1 8/2009 Rolfe  
 2010/0162608 A1 7/2010 McCann  
 2011/0283582 A1 11/2011 Hunter et al.

2015/0192384 A1 7/2015 Ballard  
 2016/0313087 A1 10/2016 Leasure  
 2017/0219310 A1 \* 8/2017 Jones ..... F41A 3/66  
 2019/0178608 A1 \* 6/2019 Drake ..... F41C 27/00  
 2020/0284535 A1 \* 9/2020 Drake ..... F41C 23/16

OTHER PUBLICATIONS

“Athena Precision Chassis Tactical Rifle—Light Caliber System”  
 Drake Associates., posted date Oct. 17, 2019 [online], [retrieved on  
 Oct. 21, 2021]. Retrieved from the Internet <URL: [https://  
 drakeassociates.us/product/athena-precision-chassis-tactical-rifle-  
 tier-1-premier-light-caliber-system-5-56/](https://drakeassociates.us/product/athena-precision-chassis-tactical-rifle-tier-1-premier-light-caliber-system-5-56/)> (Year: 2019).\*  
 “MPA BA Ultra Lite Chassis” MPA., posted date Nov. 7, 2018  
 [online], [retrieved on Oct. 21, 2021]. Retrieved from the Internet  
 <URL: [https://masterpiecearms.com/shop/mpa-ba-ultra-lite-  
 chassis/](https://masterpiecearms.com/shop/mpa-ba-ultra-lite-chassis/)> (Year: 2018).\*  
<https://geissele.com/super-modular-rail-mk8-m-lokr.html>; retrieved  
 Feb. 12, 2020.

\* cited by examiner

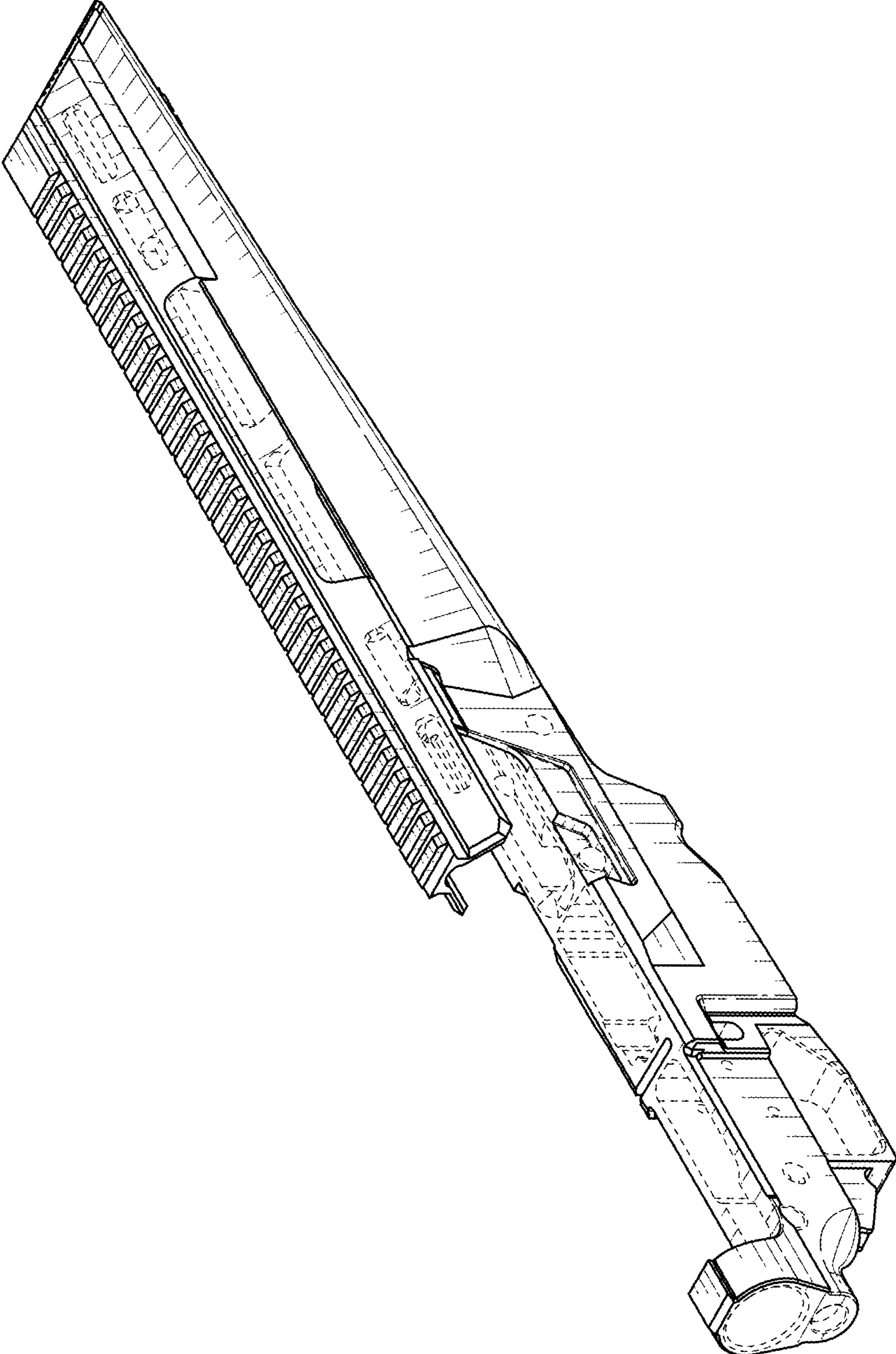


FIG. 1

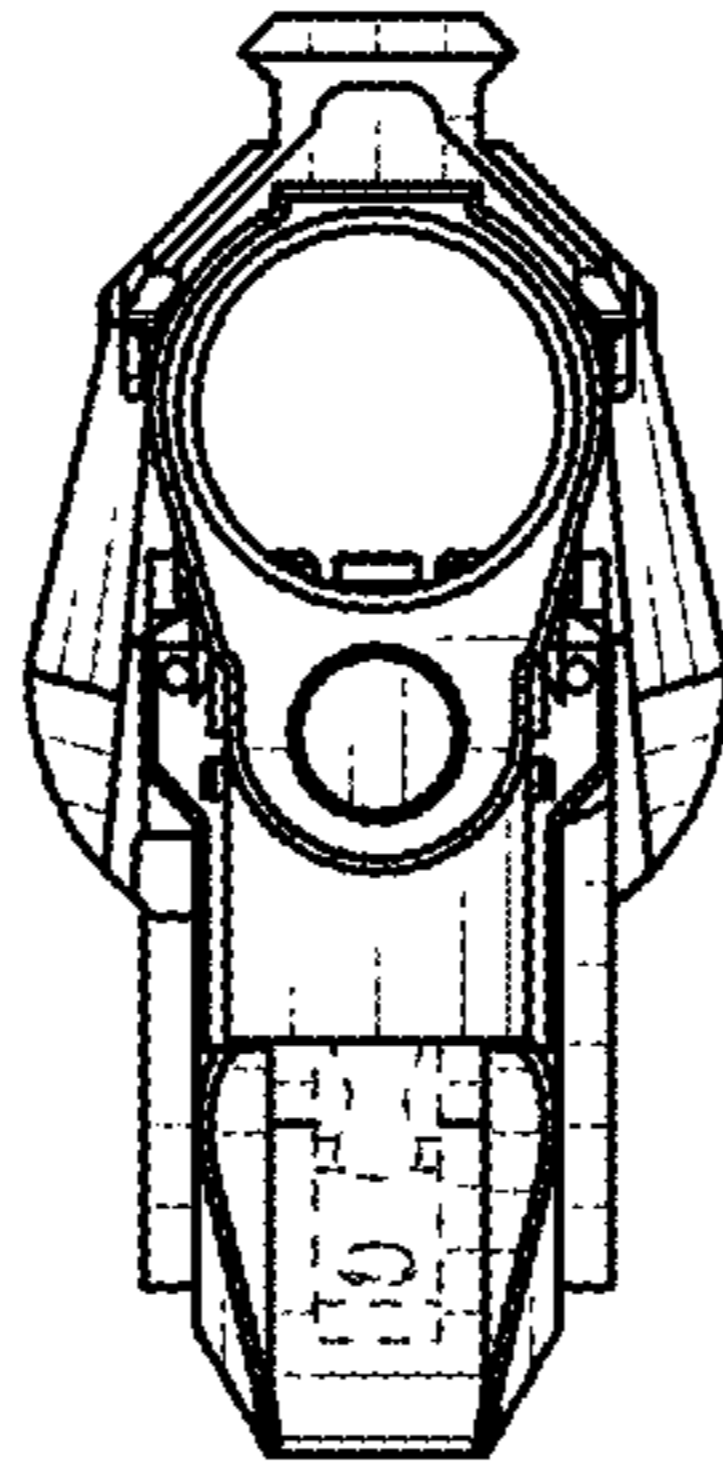


FIG. 2

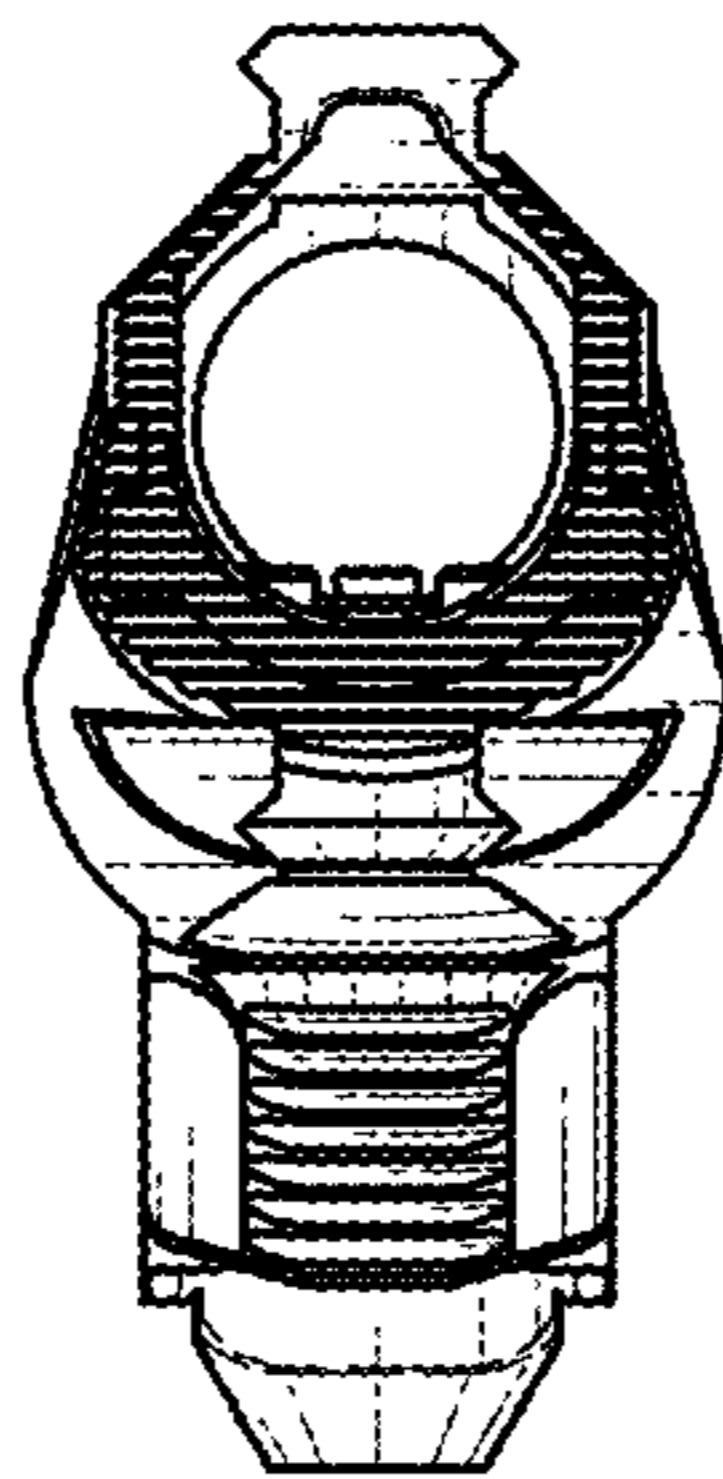


FIG. 3

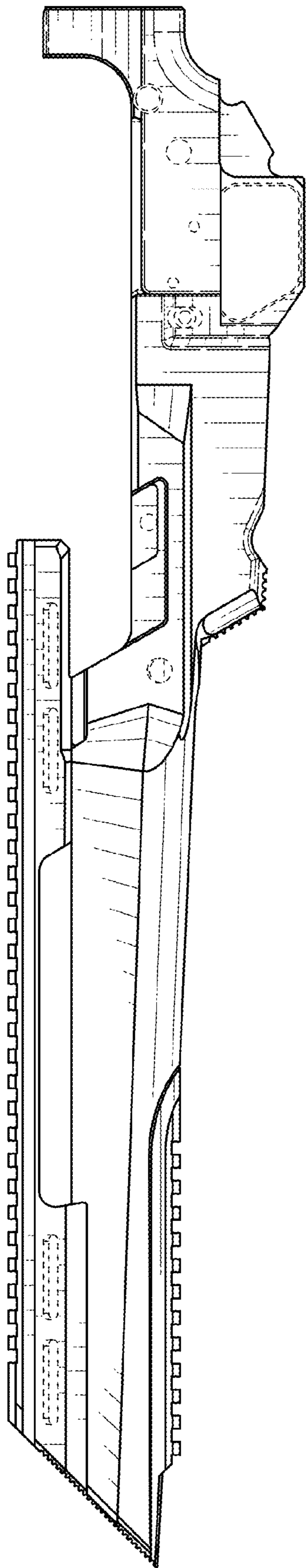


FIG. 4

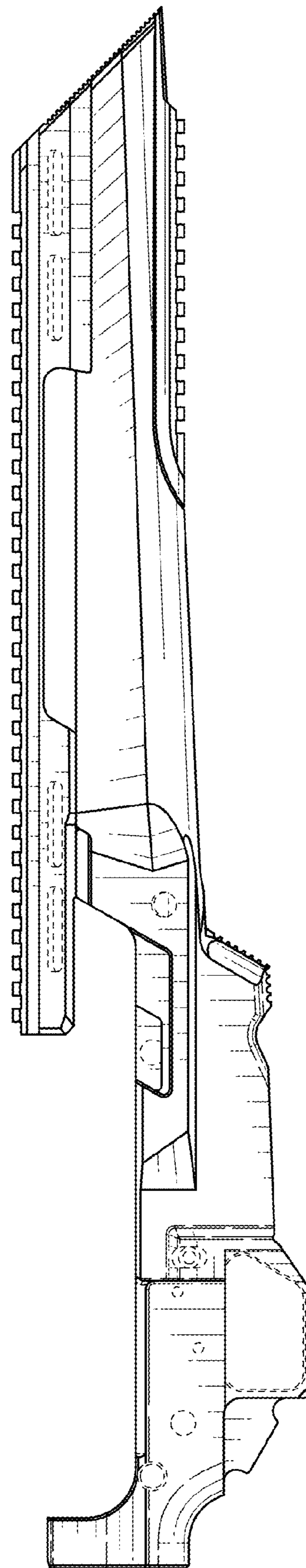


FIG. 5

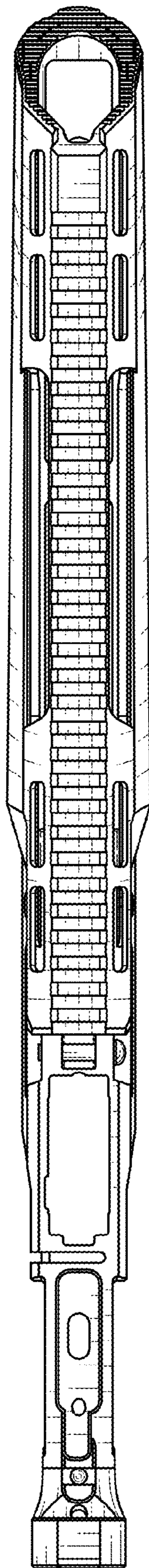


FIG. 6

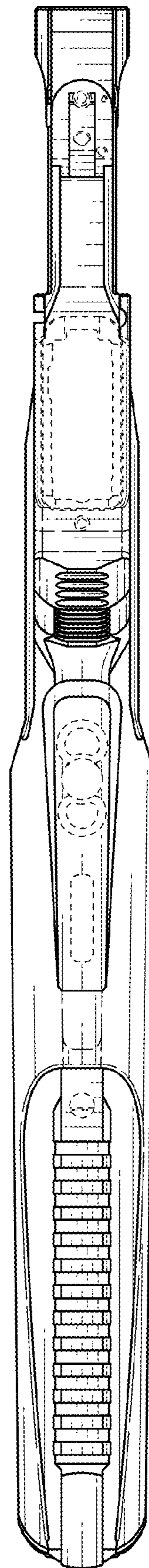


FIG. 7