



US00D945552S

(12) **United States Design Patent**
Hoffman

(10) **Patent No.:** **US D945,552 S**

(45) **Date of Patent:** **** *Mar. 8, 2022**

(54) **TIP COVER FOR TENT POLE**
(71) Applicant: **Itai Hoffman**, Beit El, IL (US)
(72) Inventor: **Itai Hoffman**, Beit El, IL (US)
(*) Notice: This patent is subject to a terminal disclaimer.
(**) Term: **15 Years**

4,951,327 A * 8/1990 Del Gorio, Sr. E04H 4/108
135/114
D315,943 S * 4/1991 Heller D21/839
D357,050 S * 4/1995 McClain D21/840
5,593,239 A * 1/1997 Sallee E04H 12/182
135/114
D466,178 S * 11/2002 Lah D21/839
D630,289 S * 1/2011 Stehly D21/839
2011/0303255 A1* 12/2011 DeLap E04H 15/60
135/114

* cited by examiner

(21) Appl. No.: **29/672,431**
(22) Filed: **Dec. 5, 2018**
(51) **LOC (13) Cl.** **21-04**
(52) **U.S. Cl.**
USPC **D21/839**
(58) **Field of Classification Search**
USPC D21/839, 840
CPC E04H 15/32; E04H 15/60; E04H 15/62
See application file for complete search history.

Primary Examiner — Cynthia M. Chin

(57) **CLAIM**

The ornamental design for a tip cover for tent pole, as shown and described.

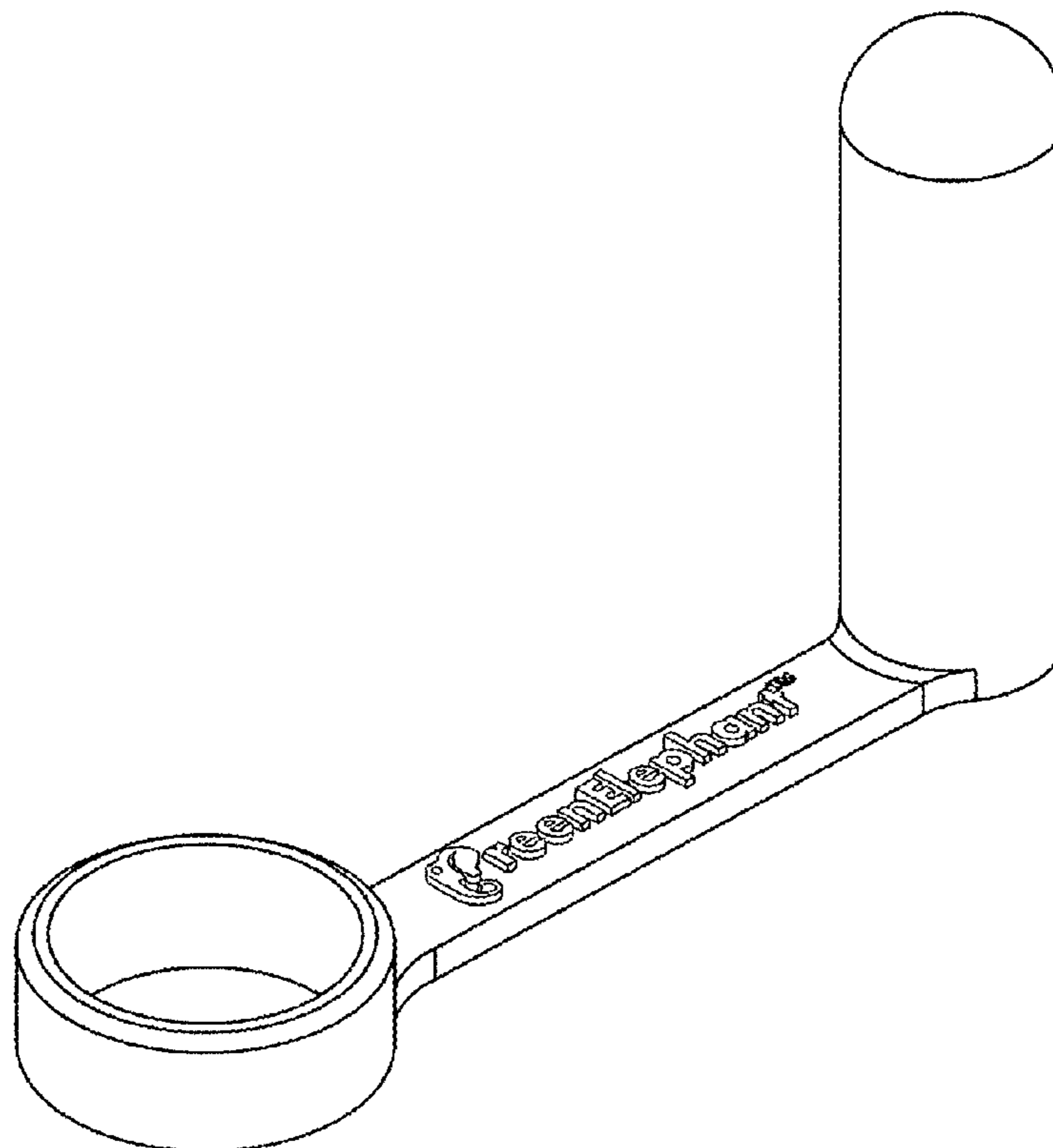
DESCRIPTION

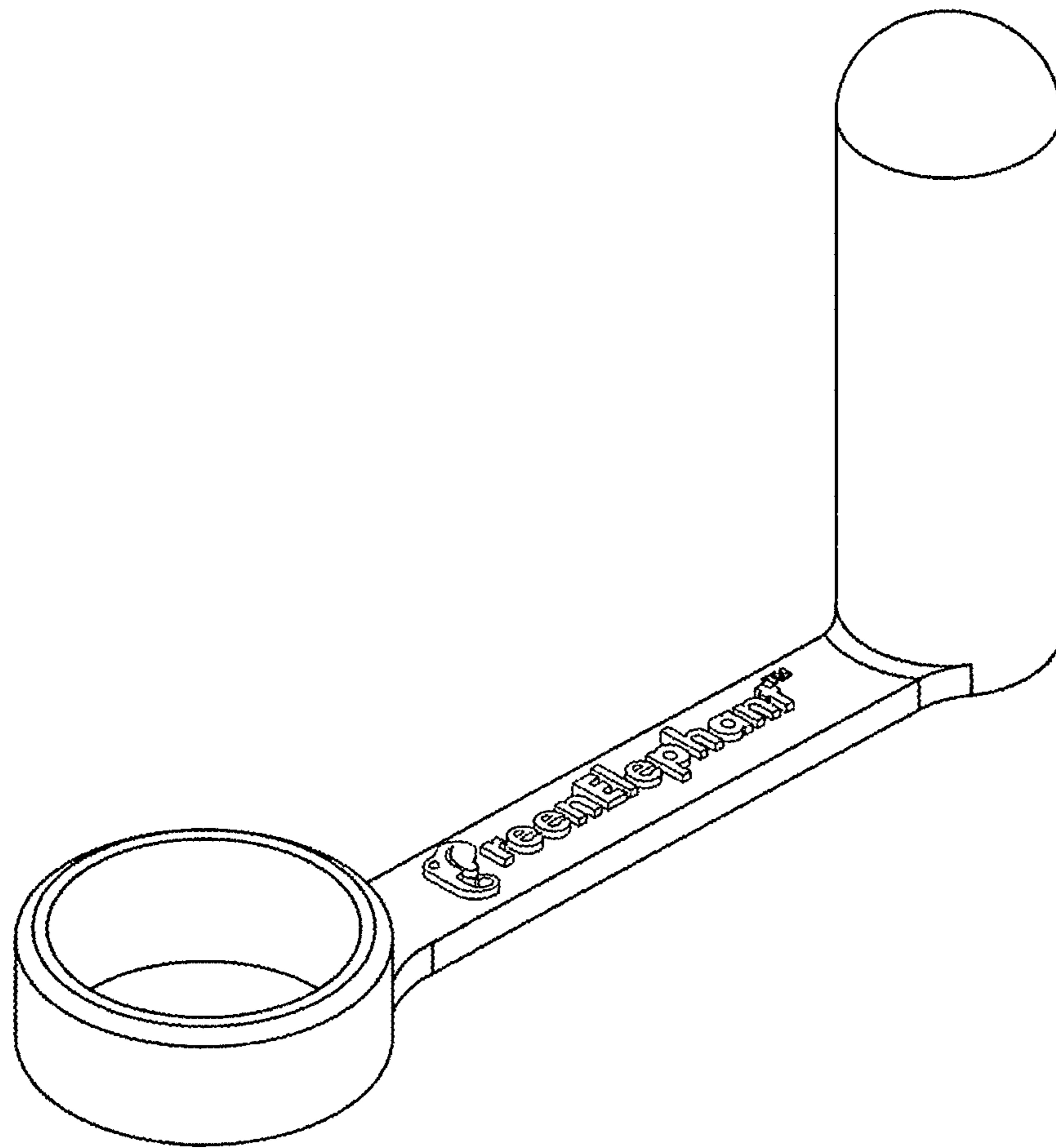
FIG. 1 is a perspective front view of tip cover for tent pole showing my new design;
FIG. 2 is a perspective bottom view;
FIG. 3 is a top view;
FIG. 4 is a bottom view;
FIG. 5 is a front view;
FIG. 6 is a rear view;
FIG. 7 is a right side view; and,
FIG. 8 is a left side view.

The word "GREEN ELEPHANT" forming part of the claimed design is a U.S. registered trademark No. 5,489,637 of Hoffman Itai.

(56) **References Cited**
U.S. PATENT DOCUMENTS
2,138,033 A * 11/1938 Marion E04H 12/182
135/114
2,591,095 A * 4/1952 Ornstein A45B 25/18
135/33.5
4,111,217 A * 9/1978 Victor E04H 15/60
135/114
D253,296 S * 10/1979 Baba D21/839
D259,654 S * 6/1981 Baba D21/839

1 Claim, 5 Drawing Sheets





.....
FIG. 1
.....

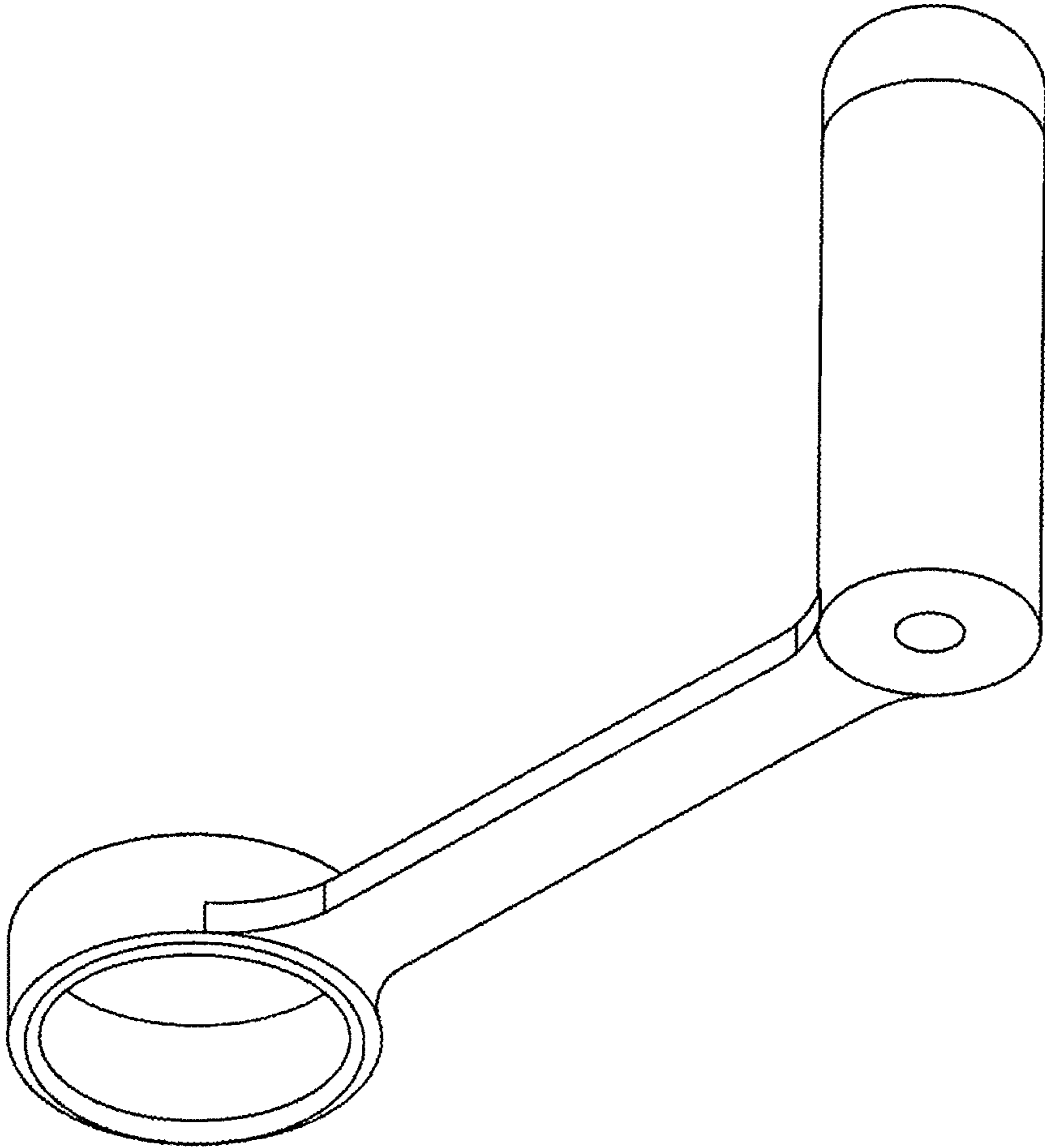


FIG. 2

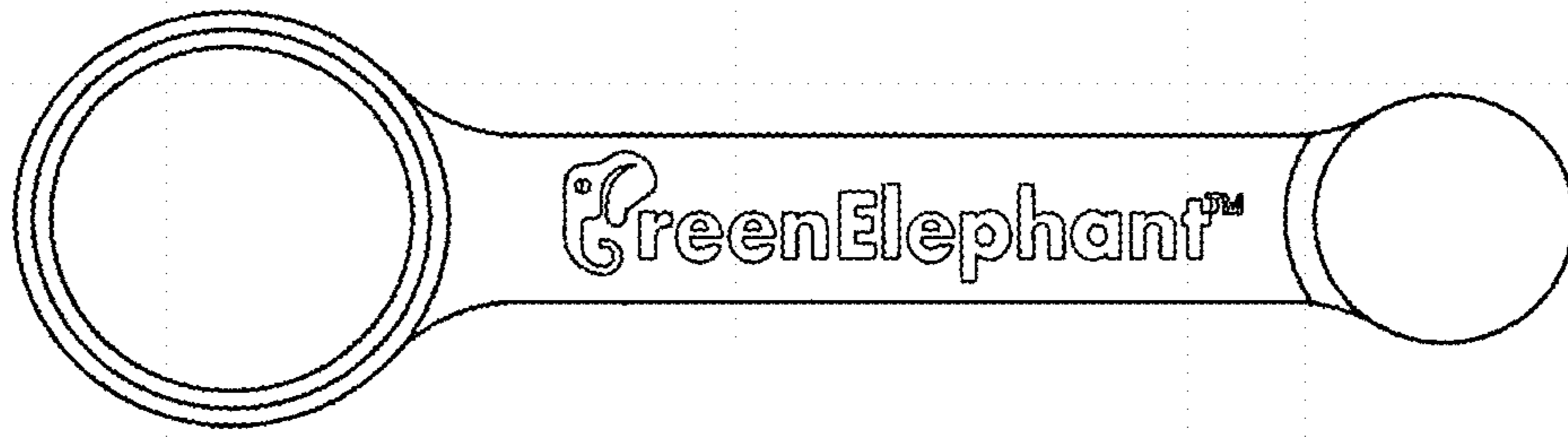


FIG. 3

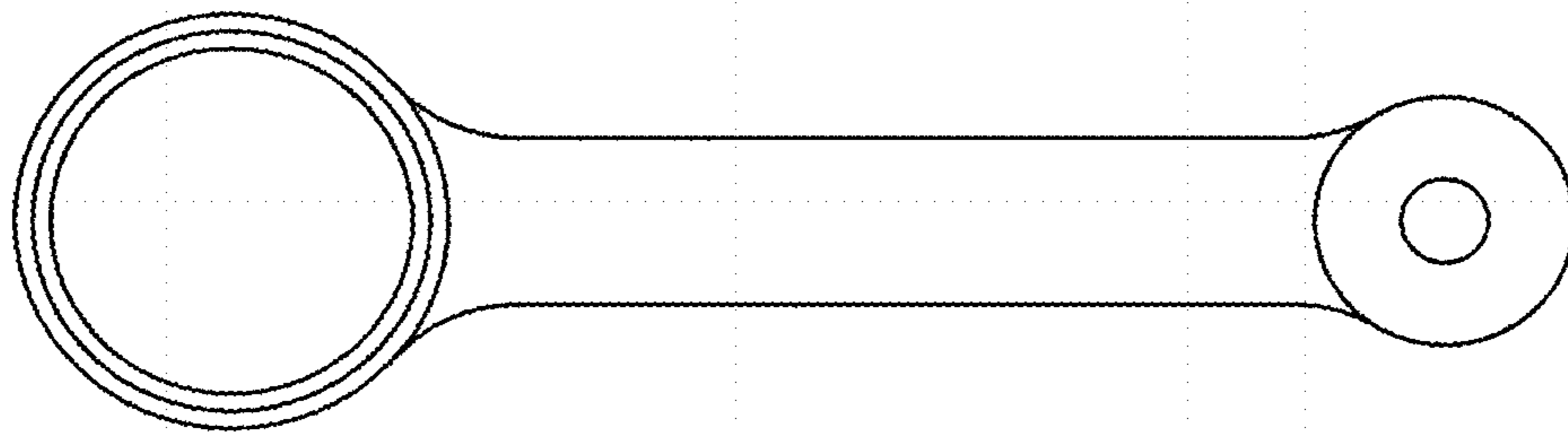


FIG. 4

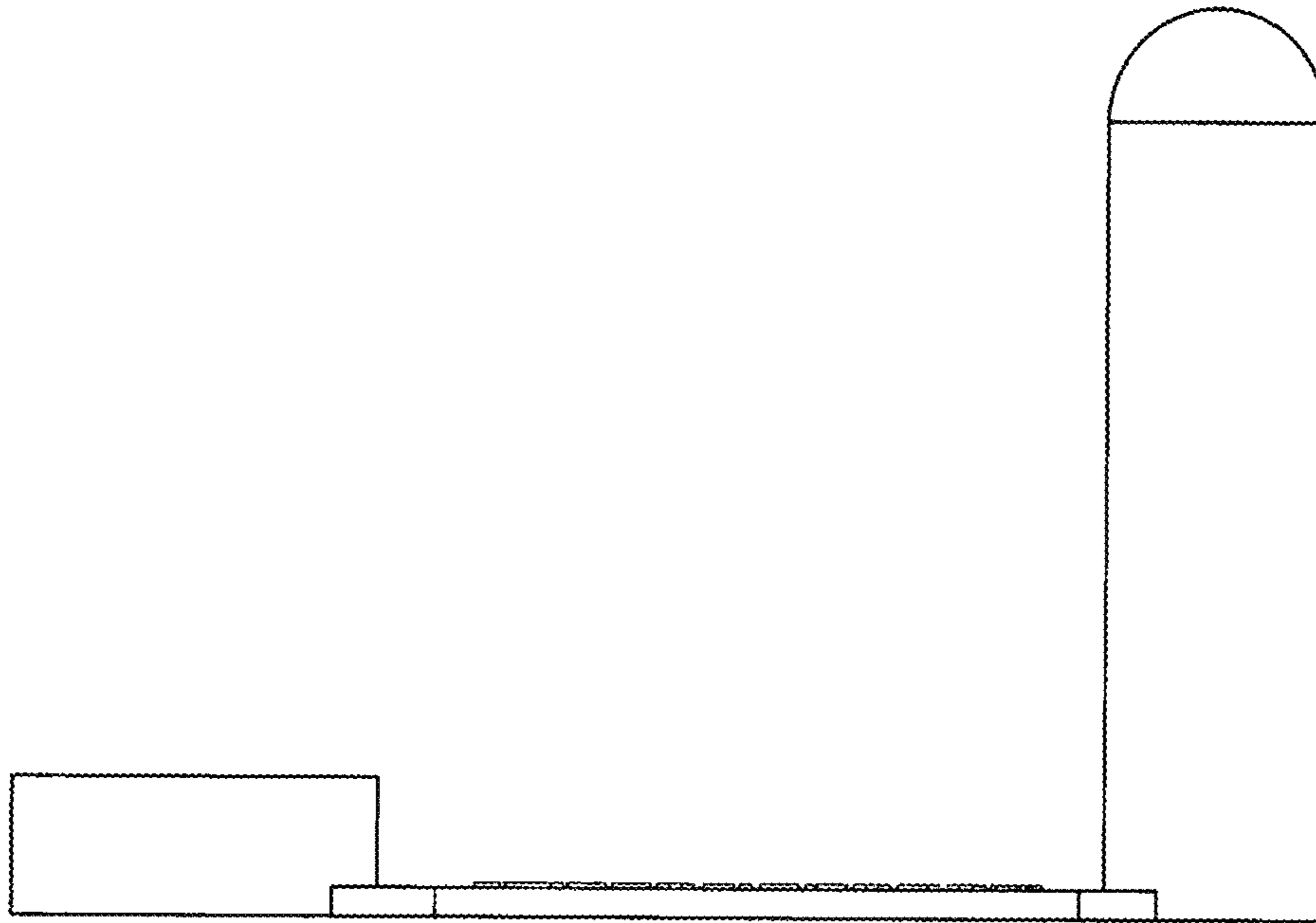


FIG. 5

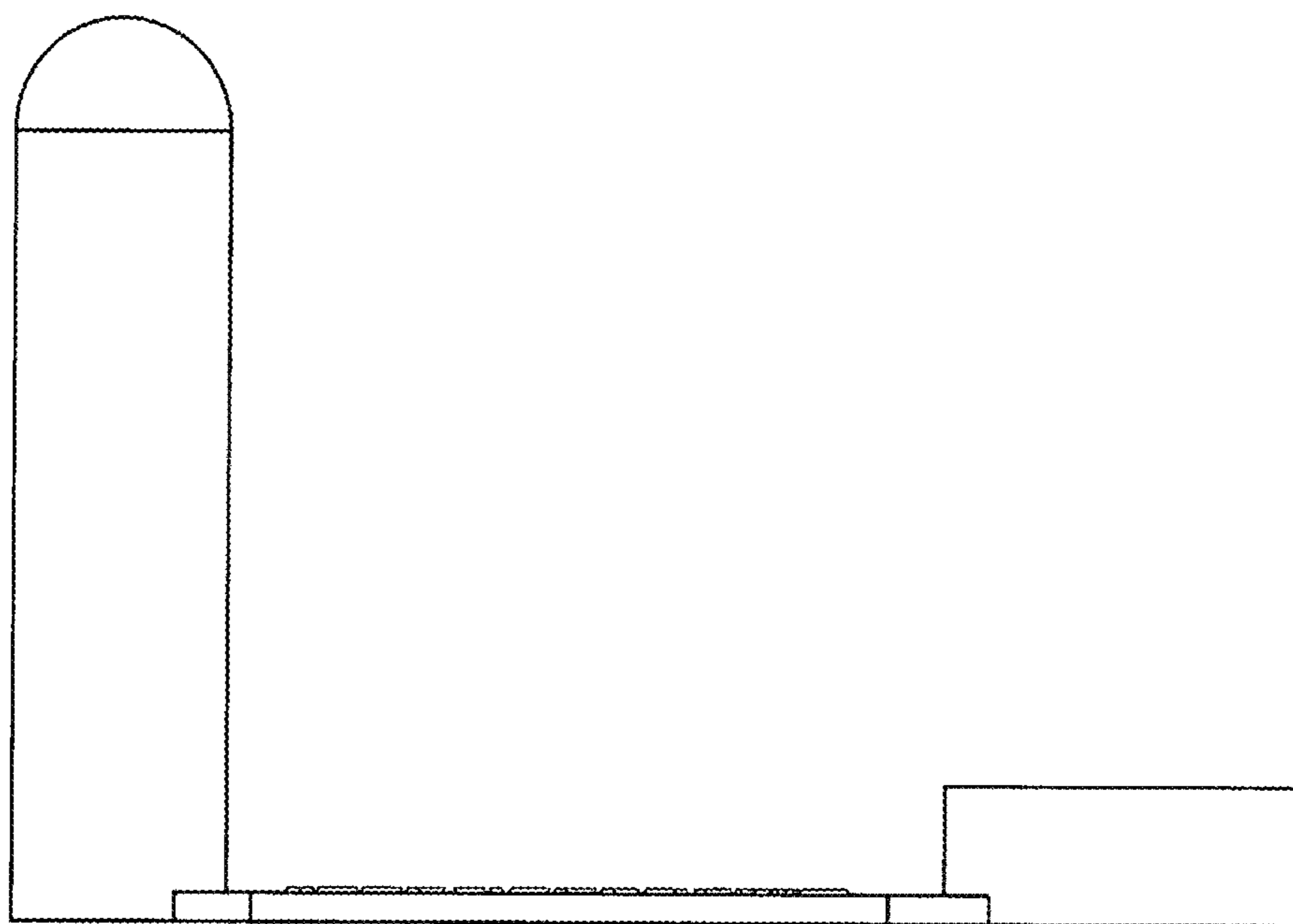


FIG. 6

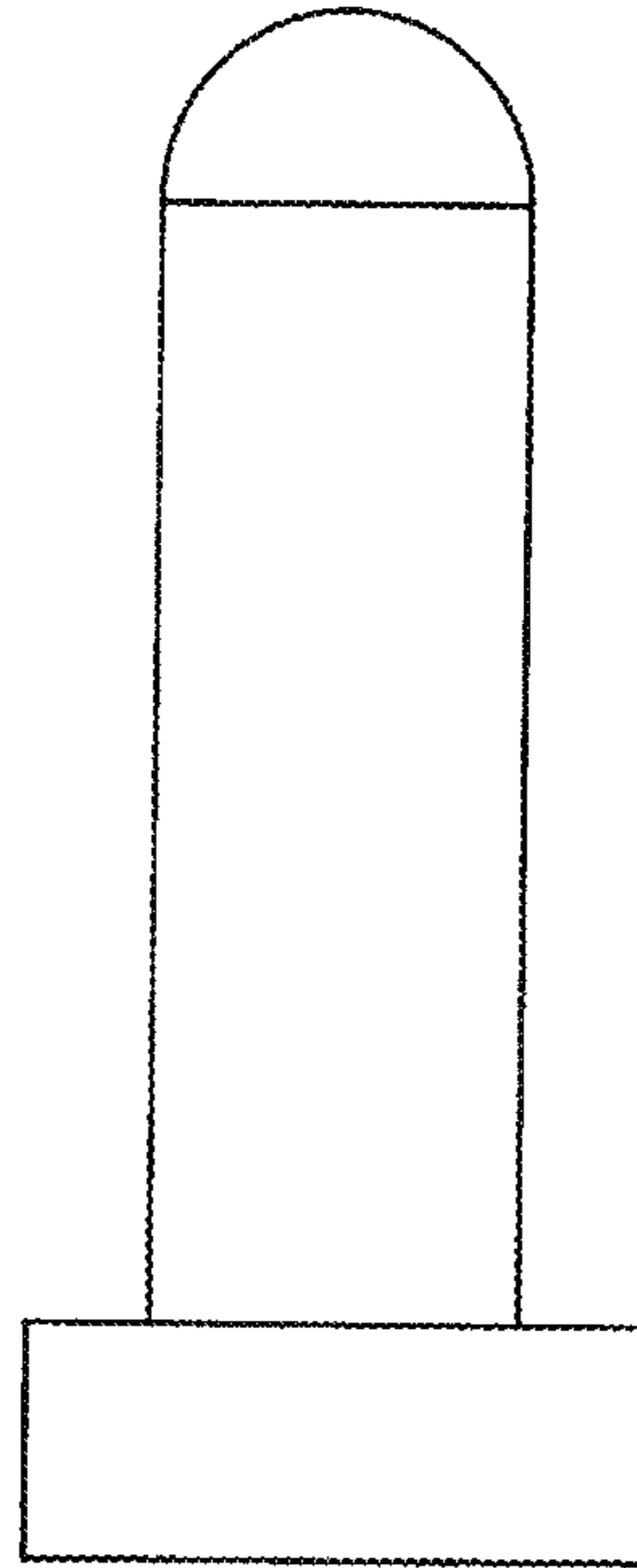


FIG. 7

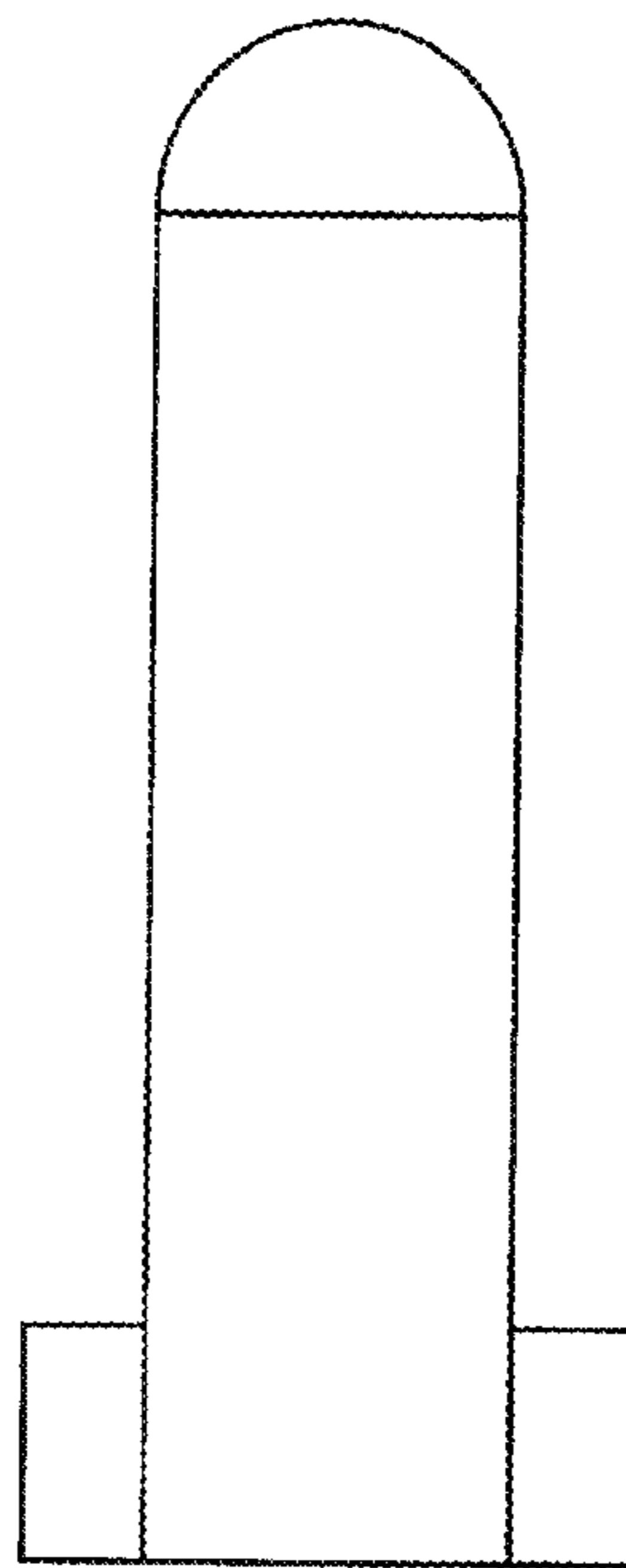


FIG. 8