



US00D945548S

(12) **United States Design Patent**
Ruggiero

(10) **Patent No.:** **US D945,548 S**

(45) **Date of Patent:** **** Mar. 8, 2022**

(54) **GOLF PUTT TRAINING AID**

(71) Applicant: **Michael Ruggiero**, Bohemia, NY (US)

(72) Inventor: **Michael Ruggiero**, Bohemia, NY (US)

(**) Term: **15 Years**

(21) Appl. No.: **29/724,908**

(22) Filed: **Feb. 20, 2020**

(51) **LOC (13) Cl.** **21-02**

(52) **U.S. Cl.**
USPC **D21/791**

(58) **Field of Classification Search**

USPC D21/789, 791, 792
CPC A63B 69/36-3605; A63B 69/3608; A63B
69/3658; A63B 69/3661-3667; A63B
69/3691; A63B 69/3694; A63B 69/3623;
A63B 69/3641; A63B 69/3676; A63B
69/3685; A63B 69/3697; A63B 57/10-20
See application file for complete search history.

(56) **References Cited**

U.S. PATENT DOCUMENTS

2,858,133	A *	10/1958	Self	A63B 69/3685 473/229
D199,127	S *	9/1964	Nelson	D21/791
D354,107	S *	1/1995	Kueng	D21/791
D369,846	S *	5/1996	Jones	D10/65
D384,385	S *	9/1997	Farage	D21/791
D385,007	S *	10/1997	Perrin	D21/792
D387,836	S *	12/1997	Farnsworth	D21/791
D397,395	S *	8/1998	Massey	D21/791
D460,139	S *	7/2002	Bradbury	D21/792
D461,517	S *	8/2002	Morgan	D21/791
D462,734	S *	9/2002	Pelz	D21/792

(Continued)

Primary Examiner — Mitchell I. Siegel

(74) *Attorney, Agent, or Firm* — Betsy Kingsbury Dowd,
Esq.; BKDowd Law, P.C.

(57) **CLAIM**

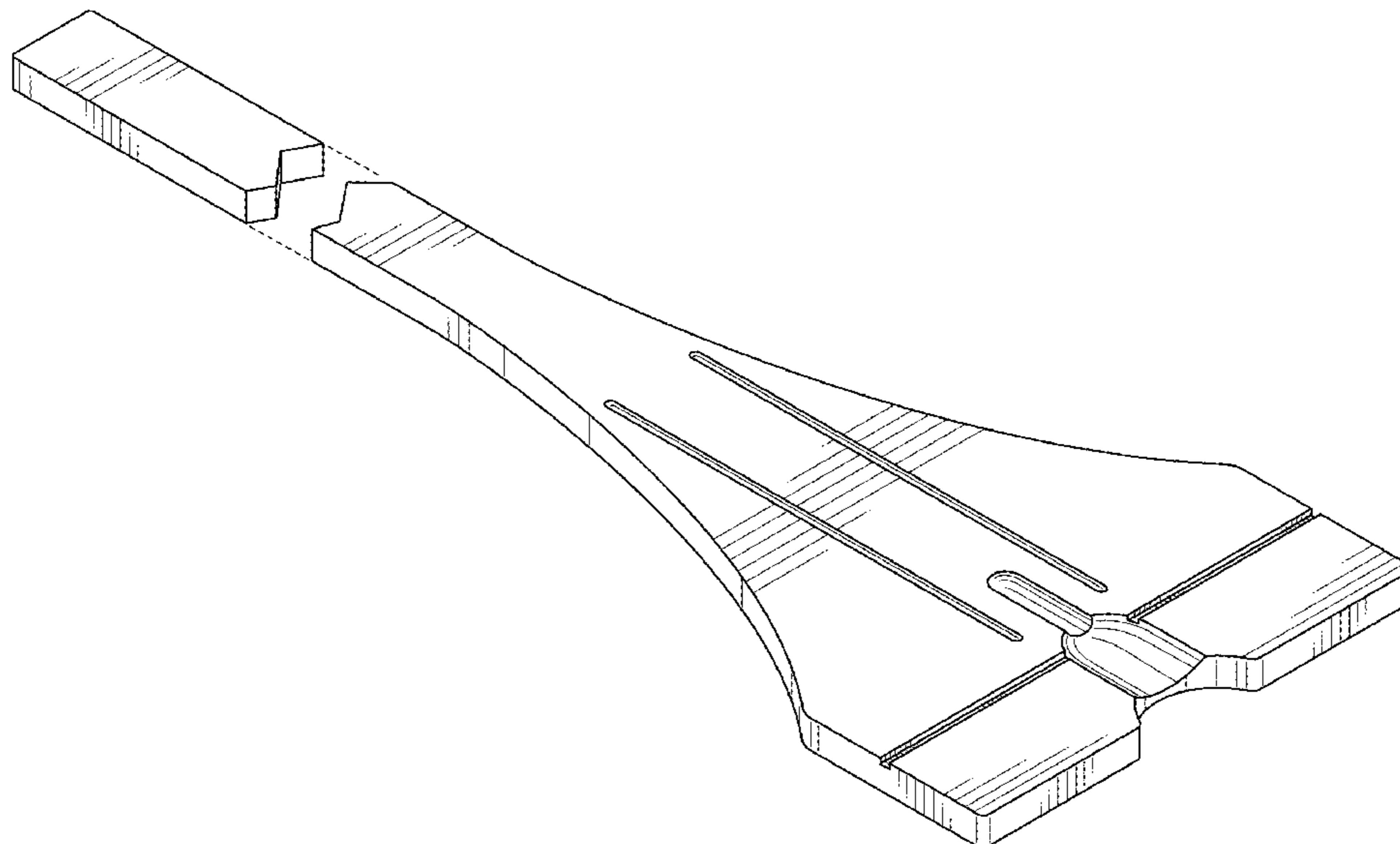
The ornamental design for a golf putt training aid, as depicted and described.

DESCRIPTION

FIG. 1 is a top, left perspective view of a first embodiment of a golf putt training aid depicting my new design; FIG. 2 is a top view of the golf putt training aid depicted in FIG. 1; FIG. 3 is a bottom view of the golf putt training aid depicted in FIG. 1; FIG. 4 is a left side view of the golf putt training aid depicted in FIG. 1; FIG. 5 is a right side view of the golf putt training aid depicted in FIG. 1; FIG. 6 is a back view of the golf putt training aid depicted in FIG. 1; and FIG. 7 is a front view of the golf putt training aid depicted in FIG. 1; and FIG. 8 is a top, left perspective view of a second embodiment of a golf putt training aid depicting my new design; FIG. 9 is a top view of the golf putt training aid depicted in FIG. 8; FIG. 10 is a bottom view of the golf putt training aid depicted in FIG. 8; FIG. 11 is a left side view of the golf putt training aid depicted in FIG. 8; FIG. 12 is a right side view of the golf putt training aid depicted in FIG. 8; FIG. 13 is a back view of the golf putt training aid depicted in FIG. 8; and, FIG. 14 is a front view of the golf putt training aid depicted in FIG. 8.

The broken lines shown on the drawings form no part of the claimed design.
Portions of the claimed design are shown separated to indicate indeterminate length.

1 Claim, 8 Drawing Sheets



(56)

References Cited

U.S. PATENT DOCUMENTS

D520,096	S *	5/2006	Prestwich	D21/791
D534,233	S *	12/2006	Bullock	D21/792
D550,319	S *	9/2007	Peterson	D21/791
D558,849	S *	1/2008	Taira	D21/791
D635,214	S *	3/2011	Johansen	D21/791
D640,763	S *	6/2011	Jones	D21/789
D672,001	S *	12/2012	Whitfield	D21/791
D692,512	S *	10/2013	Fanfelle	D21/791
D697,158	S *	1/2014	Wilkie	D21/791
D720,827	S *	1/2015	Hiroki	D21/791
D722,124	S *	2/2015	Dalesandro	D21/791
D723,124	S *	2/2015	Hiroki	D21/791
D732,130	S *	6/2015	Covino	D21/791
D756,477	S *	5/2016	Chorne	D21/791
D776,773	S *	1/2017	Elshebini	D21/791
D812,172	S *	3/2018	Herbst	D21/791
D859,555	S *	9/2019	Freund	A63B 69/3676
				D21/791
D908,828	S *	1/2021	Whitfield	D21/791
10,994,185	B2 *	5/2021	Walton	A63B 57/10
D930,101	S *	9/2021	Woodhouse	D21/791
2009/0124404	A1 *	5/2009	Taira	A63B 69/3676
				473/157

* cited by examiner

FIG. 1

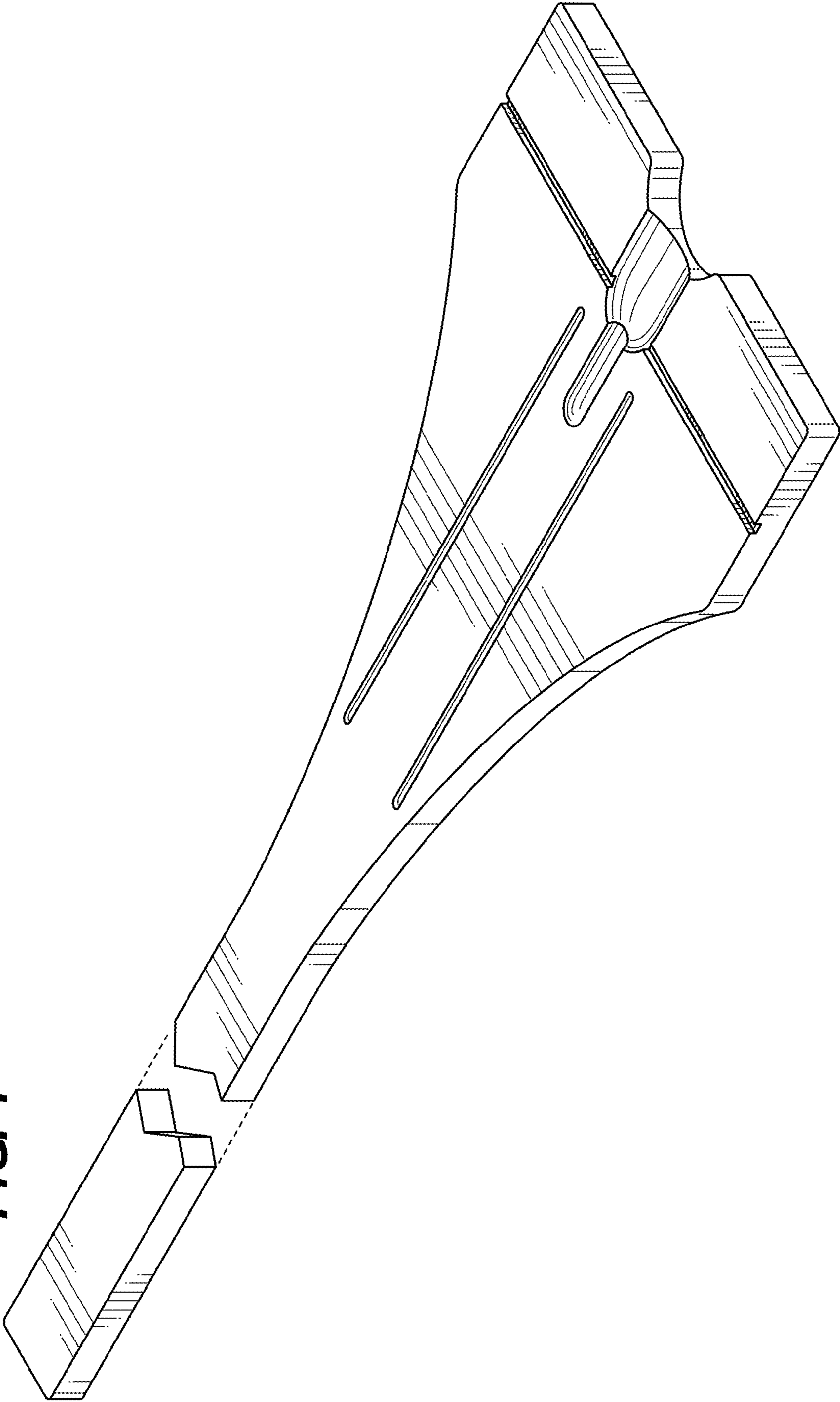


FIG. 2

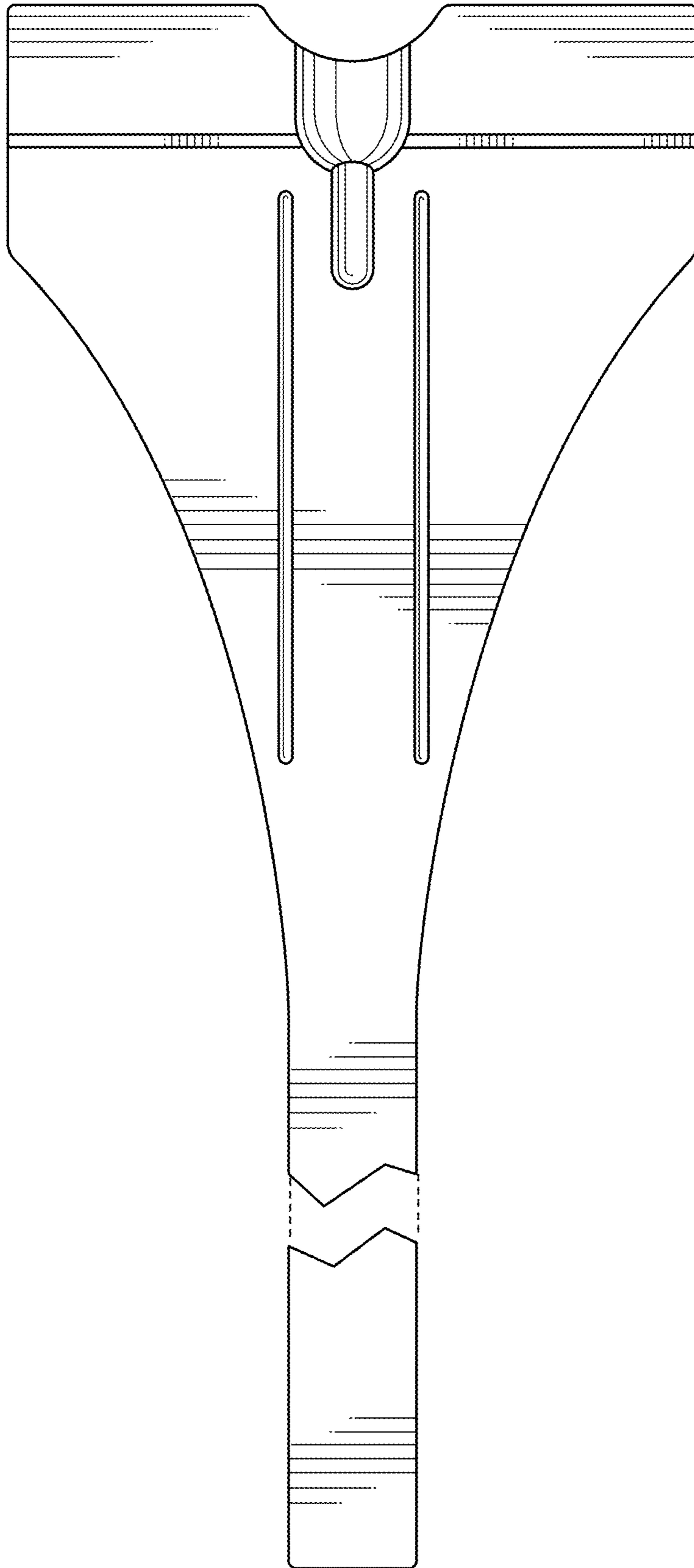


FIG. 3

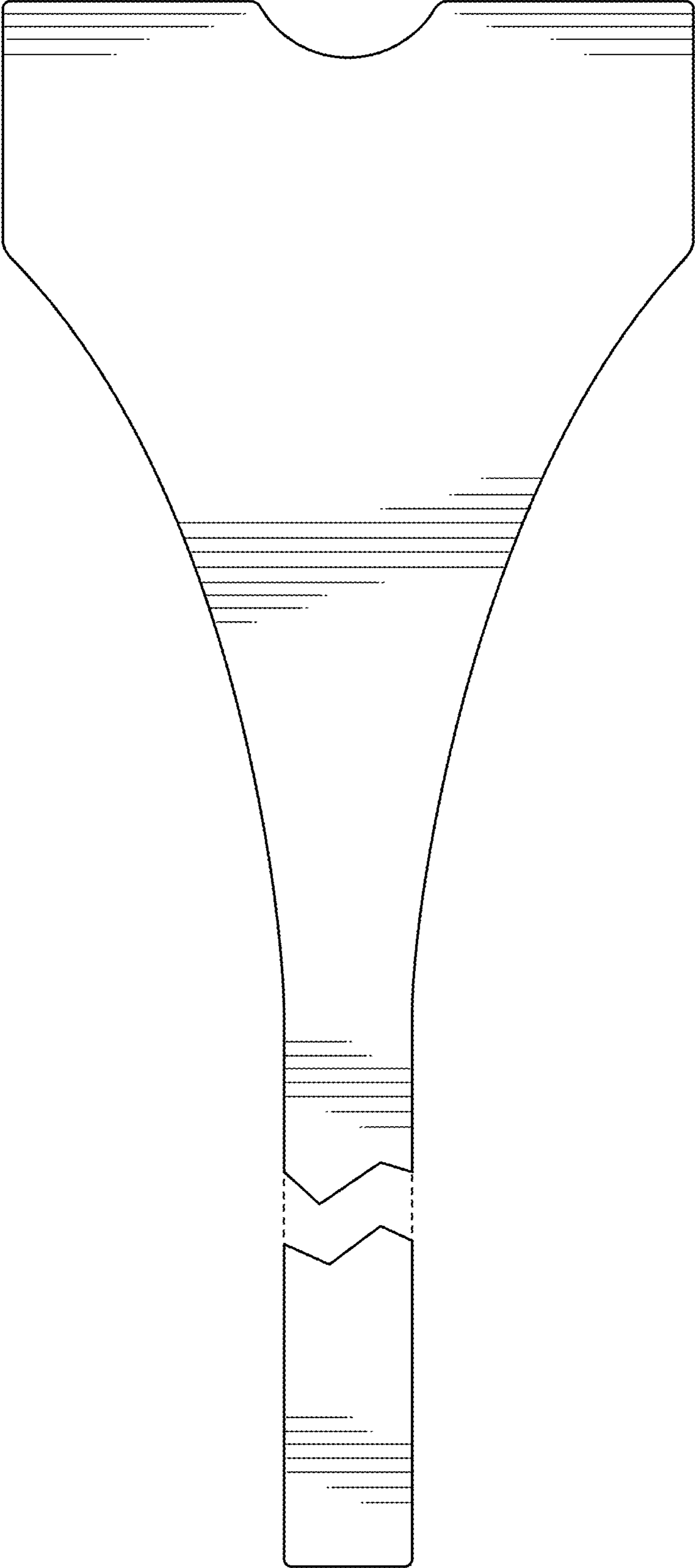


FIG. 4

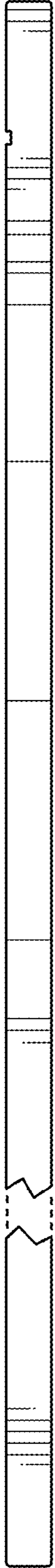


FIG. 5

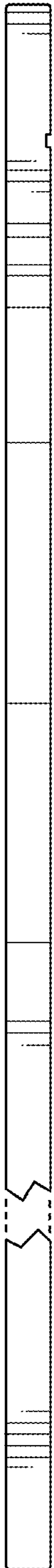


FIG. 6



FIG. 7



FIG. 8

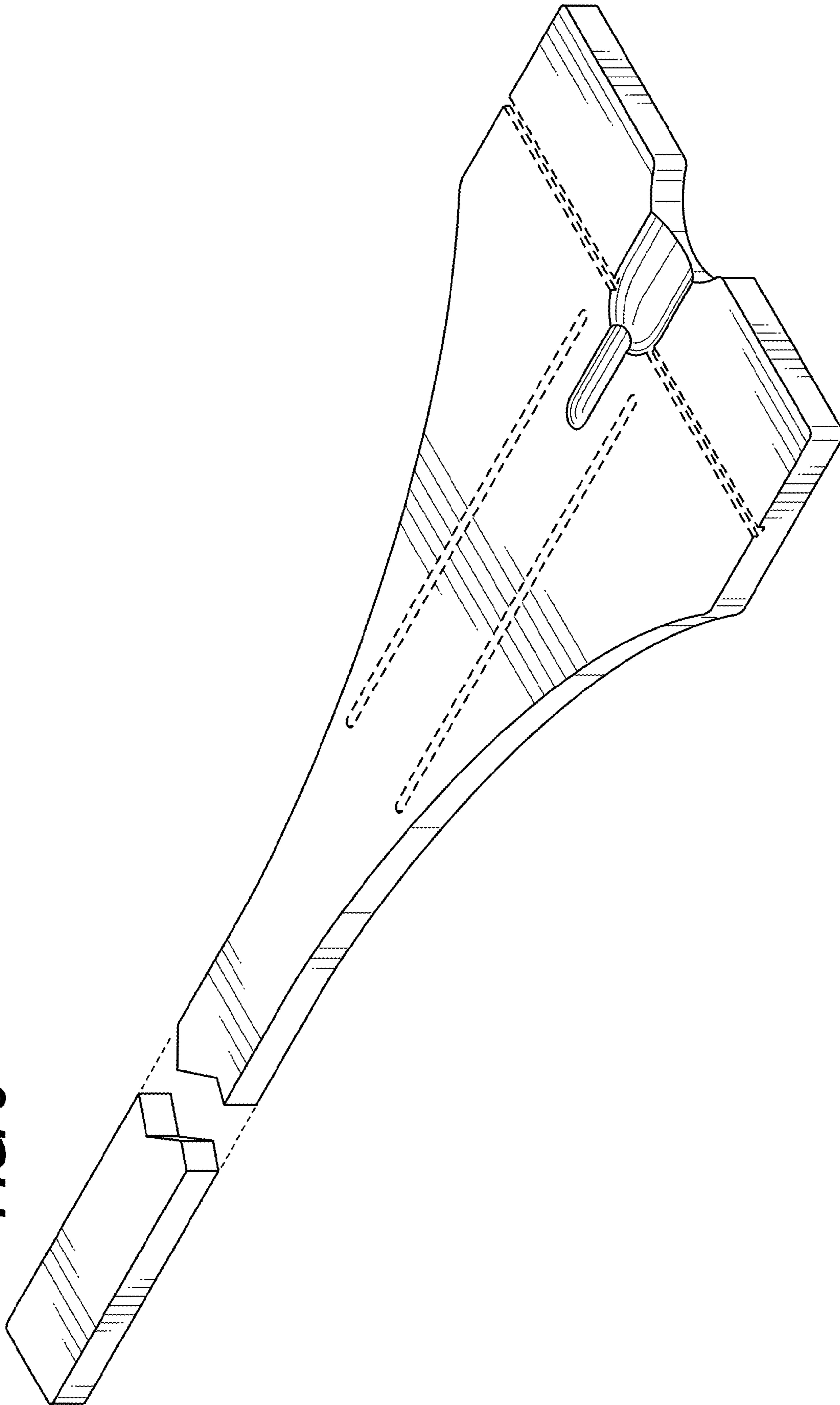


FIG. 9

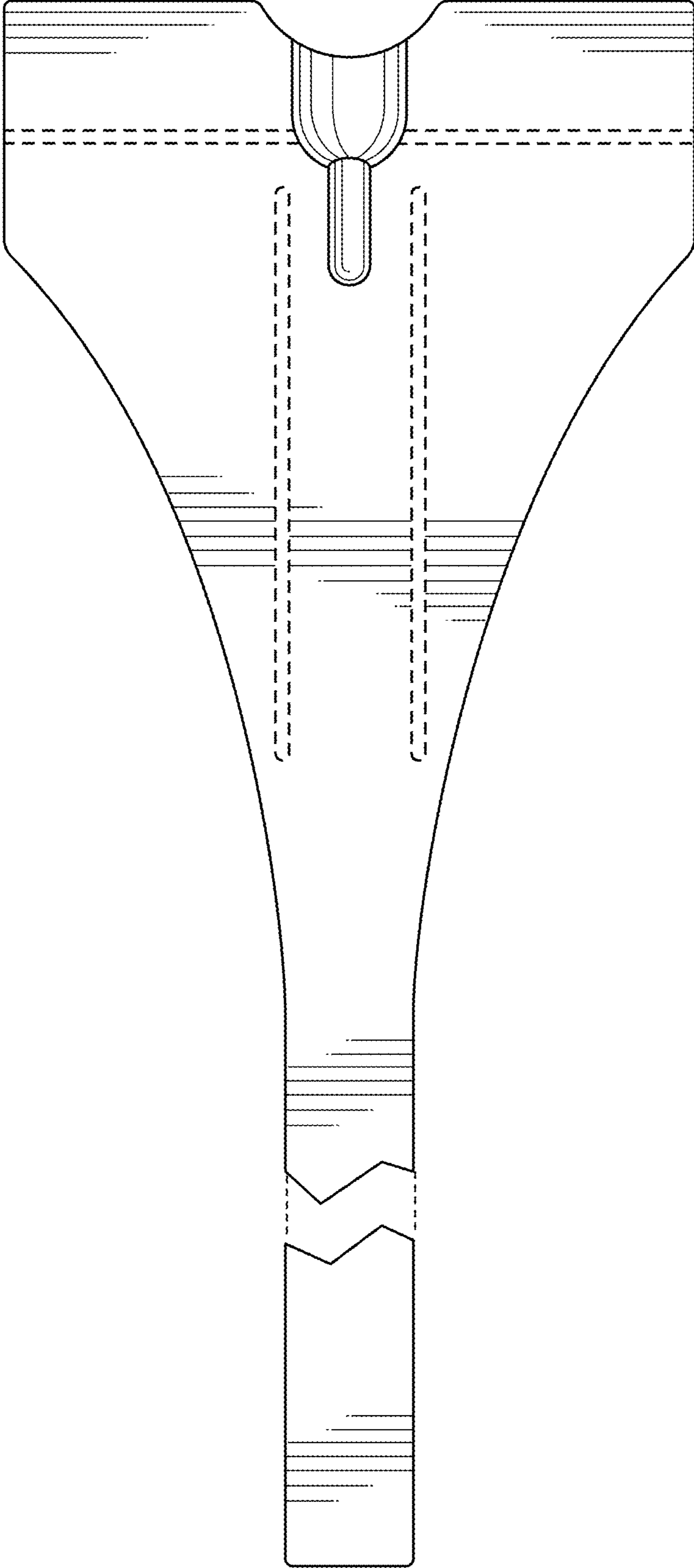


FIG. 10

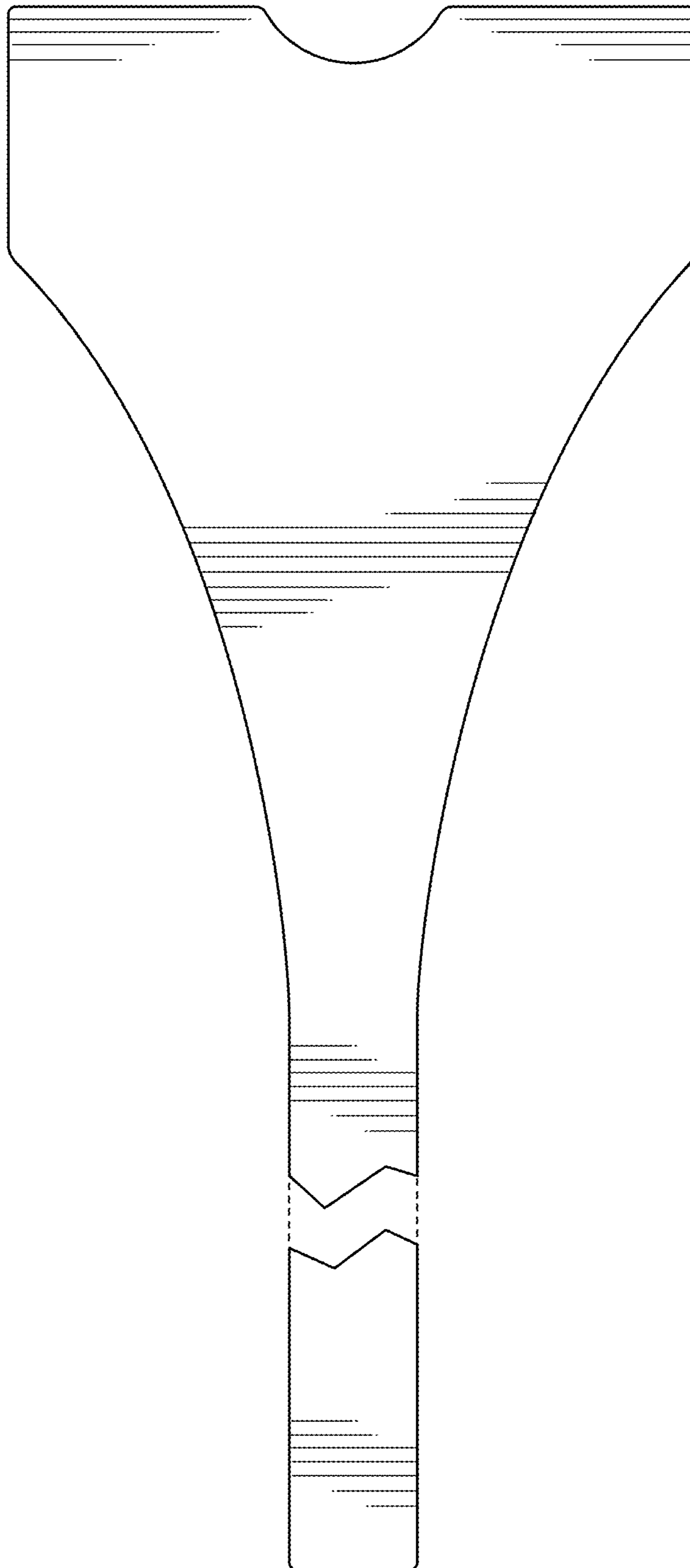


FIG. 11

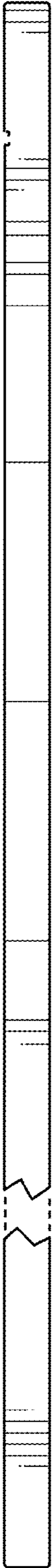


FIG. 12



FIG. 13



FIG. 14

