



US00D945542S

(12) **United States Design Patent**
Andrews

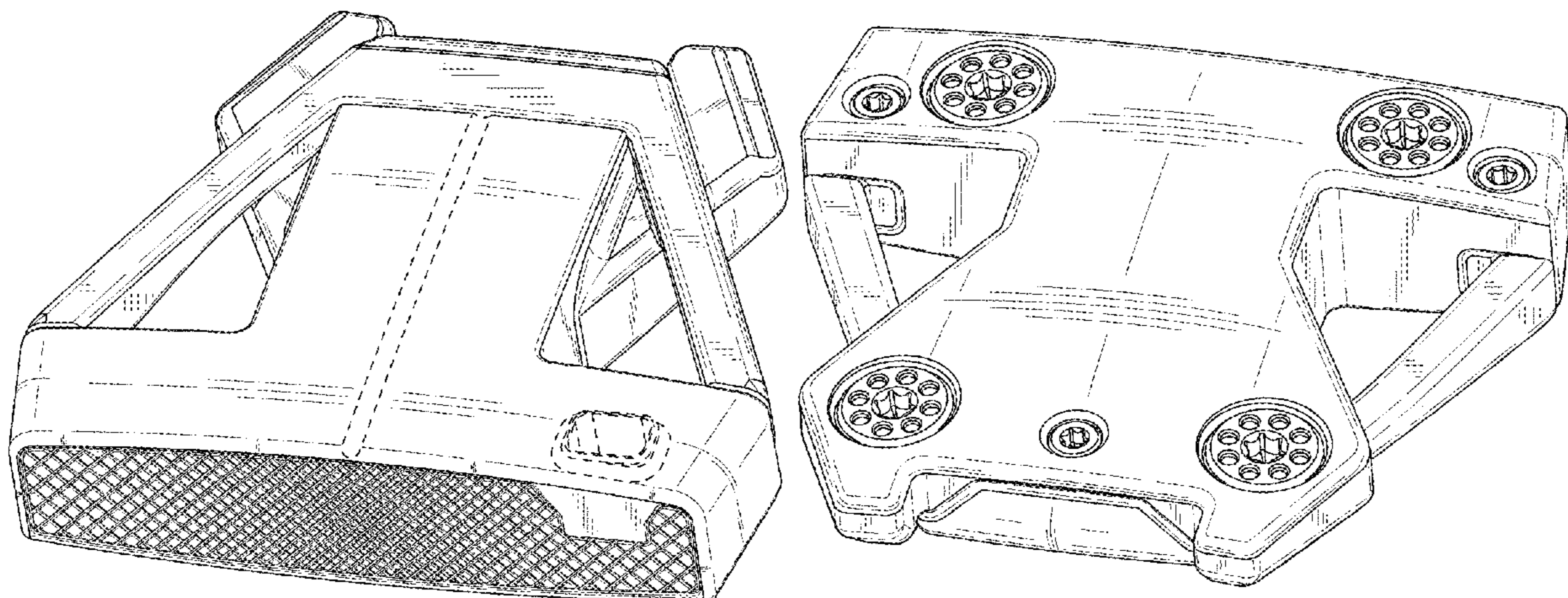
(10) **Patent No.:** **US D945,542 S**
(45) **Date of Patent:** **** Mar. 8, 2022**

- (54) **GOLF CLUB HEAD**
- (71) Applicant: **PARSONS XTREME GOLF, LLC,**
Scottsdale, AZ (US)
- (72) Inventor: **Matthew T. Andrews,** Tempe, AZ (US)
- (73) Assignee: **PARSONS XTREME GOLF, LLC,**
Scottsdale, AZ (US)
- (**) Term: **15 Years**
- (21) Appl. No.: **29/739,598**
- (22) Filed: **Jun. 26, 2020**
- (51) **LOC (13) Cl.** **21-02**
- (52) **U.S. Cl.**
USPC **D21/736**
- (58) **Field of Classification Search**
USPC D21/736-746, 759
CPC A63B 53/00; A63B 53/04; A63B 53/007;
A63B 53/065; A63B 53/048; A63B
60/00; A63B 60/04
See application file for complete search history.

5,390,919 A	2/1995	Stubbs et al.
D356,131 S	3/1995	Trimble
D360,444 S	7/1995	Takahashi et al.
5,429,366 A	7/1995	McCabe
D363,101 S	10/1995	Sturm
D364,665 S	11/1995	Goodrich
D365,864 S	1/1996	Sturm
5,489,097 A	2/1996	Simmons
D368,751 S	4/1996	Rife
D369,393 S	4/1996	Takahashi et al.
5,571,053 A	11/1996	Lane
D378,688 S	4/1997	Cameron
D380,514 S	7/1997	Markley
D385,609 S	10/1997	Cameron
5,683,307 A	11/1997	Rife
D388,143 S	12/1997	Huan-Chiang
D389,207 S	1/1998	Cameron
D398,685 S	9/1998	Masuda
5,807,190 A	9/1998	Krumme et al.
D399,290 S	10/1998	Sizemore, Jr.
D399,911 S	10/1998	Nicolette et al.
5,839,974 A	11/1998	McAllister
D405,836 S	2/1999	Nicolette et al.
D409,701 S	5/1999	Ashcraft et al.
D411,275 S	6/1999	Bottema et al.
5,924,938 A	7/1999	Hines
D415,809 S	10/1999	Bottema et al.
D416,062 S	11/1999	Solheim et al.
D416,969 S	11/1999	Solheim et al.
D416,970 S	11/1999	Solheim et al.
6,007,434 A	12/1999	Baker et al.
D421,473 S	3/2000	Solheim et al.
D422,655 S	4/2000	Hicks
6,050,903 A	4/2000	Lake
D426,276 S	6/2000	Besnard et al.
6,089,993 A	7/2000	Woodward et al.
D429,302 S	8/2000	Antonious
6,110,057 A	8/2000	McKinnon
D430,914 S	9/2000	Antonious
D431,853 S	10/2000	Antonious
D431,854 S	10/2000	Cameron
D432,192 S	10/2000	Hicks
D436,151 S	1/2001	Nicolette et al.
D437,374 S	2/2001	Cameron
D441,820 S	5/2001	Nicolette et al.
D443,668 S	6/2001	Nicolette et al.
D443,905 S	6/2001	Nicolette et al.
D444,833 S	7/2001	Wells et al.
D444,835 S	7/2001	Wahl et al.
6,257,994 B1	7/2001	Antonious
6,264,571 B1	7/2001	Lekavich
D449,664 S	10/2001	Beebe et al.
D449,865 S	10/2001	Fife, Jr. et al.

(56) **References Cited**
U.S. PATENT DOCUMENTS

723,534 A	3/1903	Knight
922,444 A	5/1909	Youds
1,094,599 A	4/1914	Samson
D57,980 S	5/1921	Kraeuter
D63,284 S	11/1923	Challis
RE19,178 E	5/1934	Spiker
4,043,562 A	8/1977	Shillington
D248,783 S	8/1978	Long
4,340,230 A	7/1982	Churchward
D281,092 S	10/1985	Mills
4,754,977 A	7/1988	Sahm
4,869,507 A	9/1989	Sahm
4,964,641 A	10/1990	Miesch et al.
D313,451 S	1/1991	Shearer
D335,317 S	5/1993	Shearer
D335,692 S	5/1993	Antonious
D336,757 S	6/1993	Antonious
5,275,412 A	1/1994	Innes
D350,582 S	9/1994	Miansian et al.



US D945,542 S

D450,799 S	11/2001	Nicolette et al.	D643,892 S	8/2011	McGrorty
D451,973 S	12/2001	Wells et al.	D645,104 S	9/2011	Nicolette et al.
6,348,014 B1	2/2002	Chiu	8,096,039 B2	1/2012	Soracco et al.
6,354,959 B1	3/2002	Nicolette et al.	D653,718 S	2/2012	Stokke et al.
6,394,910 B1	5/2002	McCarthy	D655,361 S	3/2012	Ramsauer
D472,949 S	4/2003	Serrano	D661,753 S	6/2012	Cameron et al.
D474,821 S	5/2003	Wells et al.	D666,260 S	8/2012	Cynn
D474,949 S	5/2003	Schaffeld et al.	D672,418 S	12/2012	Rollinson
D482,087 S	11/2003	Burrows	8,371,958 B2	2/2013	Treadwell
6,652,390 B2	11/2003	Bradford	8,376,878 B2	2/2013	Bennett et al.
D483,086 S	12/2003	Schweigert et al.	D688,339 S	8/2013	Hilton et al.
D486,539 S	2/2004	Burrows	D688,341 S	8/2013	Rollinson
D486,872 S	2/2004	Schweigert et al.	D691,226 S	10/2013	Hilton et al.
D488,200 S	4/2004	Olsavsky et al.	8,608,590 B2	12/2013	Hackel et al.
D490,487 S	5/2004	Burrows	D699,308 S	2/2014	Rollinson
D498,276 S	11/2004	Schweigert et al.	8,696,492 B1	4/2014	Hocknell et al.
D500,823 S	1/2005	Aldrich	D704,782 S	5/2014	Rollinson
6,902,496 B2	6/2005	Solheim et al.	8,721,472 B2	5/2014	Kuan et al.
D511,801 S	11/2005	Garcia	8,790,193 B2	7/2014	Serrano et al.
D512,114 S	11/2005	Garcia	D711,483 S	8/2014	Wong
D512,116 S	11/2005	Mirafflor et al.	D715,388 S	10/2014	Serrano et al.
6,988,955 B2	1/2006	Stoakes	D722,350 S	2/2015	Schweiger
6,988,956 B2	1/2006	Cover et al.	D722,351 S	2/2015	Parsons et al.
D520,088 S	5/2006	Parr	D722,352 S	2/2015	Nicolette et al.
D531,242 S	10/2006	Adams	D723,120 S	2/2015	Nicolette
7,125,341 B1	10/2006	D'Eath	D724,164 S	3/2015	Schweigert et al.
D532,067 S	11/2006	Soracco et al.	D725,208 S	3/2015	Schweigert
7,153,220 B2	12/2006	Lo	D726,265 S	4/2015	Nicolette
D534,595 S	1/2007	Hasebe	D726,846 S	4/2015	Schweigert
7,156,752 B1	1/2007	Bennett	D730,462 S	5/2015	Becktor et al.
D536,401 S	2/2007	Kawami	D732,122 S	6/2015	Becktor
D536,403 S	2/2007	Kawami	D732,618 S	6/2015	Becktor et al.
D537,898 S	3/2007	Kuan et al.	D733,234 S	6/2015	Nicolette
D538,371 S	3/2007	Kawami	D735,283 S	7/2015	Solheim et al.
7,204,765 B2	4/2007	Cover et al.	D738,447 S	9/2015	Schweigert
D542,869 S	5/2007	Adams	D738,449 S	9/2015	Schweigert
D543,598 S	5/2007	Kuan et al.	D739,487 S	9/2015	Schweigert
D543,601 S	5/2007	Kawami	D741,426 S	10/2015	Schweigert
D555,219 S	11/2007	Lin	D746,926 S	1/2016	Parsons et al.
D556,277 S	11/2007	Broom	D748,213 S	1/2016	Parsons et al.
7,309,297 B1	12/2007	Solari	D748,215 S	1/2016	Parsons et al.
D561,854 S	2/2008	Morris	9,233,283 B2	1/2016	Schweigert
7,331,876 B2	2/2008	Klein	9,265,996 B1	2/2016	Abbott et al.
7,351,162 B2	4/2008	Soracco et al.	D752,697 S	3/2016	Claveran
D569,461 S	5/2008	Morris	D753,252 S	4/2016	Schweigert
D569,930 S	5/2008	Nehrbas	9,440,124 B2	9/2016	Parsons et al.
7,396,289 B2	7/2008	Soracco et al.	9,498,685 B2	11/2016	Abbott et al.
D577,085 S	9/2008	Nicolette et al.	9,566,484 B1	2/2017	Abbott et al.
D577,086 S	9/2008	Nicolette et al.	D783,745 S *	4/2017	Chen D21/743
D579,506 S	10/2008	Nicolette et al.	D791,891 S	7/2017	Davis
D579,995 S	11/2008	Nicolette et al.	D794,146 S	8/2017	Davis
D582,497 S	12/2008	Rollinson	D798,975 S	10/2017	Becktor
7,473,189 B2	1/2009	Schweigert et al.	D798,976 S	10/2017	Becktor
7,491,131 B2	2/2009	Vinton	D798,977 S	10/2017	Becktor
D594,921 S	6/2009	Bettinardi	D798,978 S	10/2017	Becktor
D595,370 S *	6/2009	Ines D21/736	D798,979 S	10/2017	Becktor
D595,793 S	7/2009	Rollinson	D798,980 S	10/2017	Becktor
D599,425 S	9/2009	Laub	D798,981 S	10/2017	Becktor et al.
D599,867 S	9/2009	Teramoto	D799,619 S	10/2017	Becktor et al.
D600,295 S *	9/2009	Meeks D21/744	D802,073 S	11/2017	Toulon
D600,763 S	9/2009	Cameron	D812,163 S	3/2018	Kroloff
D601,214 S	9/2009	Serrano et al.	9,987,530 B2	6/2018	Jertson et al.
D606,139 S *	12/2009	Ines D21/736	D824,462 S *	7/2018	Bruschi D21/736
D607,951 S	1/2010	Teramoto	D835,217 S *	12/2018	Nicolette D21/736
7,744,485 B2	6/2010	Jones et al.	D837,911 S *	1/2019	Bruschi D21/736
D620,993 S	8/2010	Laub	10,173,105 B2	1/2019	Myers et al.
D621,461 S	8/2010	Serrano et al.	D839,977 S	2/2019	Rollinson et al.
D623,709 S	9/2010	Serrano et al.	D844,085 S *	3/2019	Nicolette D21/743
D631,925 S	2/2011	Broom	D844,723 S *	4/2019	Nicolette D21/743
7,887,432 B2	2/2011	Jones et al.	D877,831 S *	3/2020	Cameron D21/736
D633,964 S	3/2011	Teramoto	D892,243 S *	8/2020	Rollinson D21/743
7,909,707 B2	3/2011	Klein	D895,037 S *	9/2020	Clarke D21/736
7,918,745 B2	4/2011	Morris et al.	D907,730 S *	1/2021	Rollinson D21/759
7,927,226 B1	4/2011	Twitty	D909,504 S *	2/2021	Schweigert D21/736
D638,891 S	5/2011	Nicolette et al.	D919,722 S *	5/2021	Parsons D21/736
7,942,758 B2	5/2011	Nakamura	D921,141 S *	6/2021	Wang D21/744
D639,369 S	6/2011	Miyamichi	D924,993 S *	7/2021	Rollinson D21/759
D642,643 S	8/2011	Nicolette et al.	D924,994 S *	7/2021	Rollinson D21/759
D643,485 S	8/2011	Nicolette et al.	D924,995 S *	7/2021	Rollinson D21/759

D931,962 S *	9/2021	Wang	D21/743
2004/0138003 A1	7/2004	Grace	
2004/0180730 A1	9/2004	Franklin et al.	
2006/0052178 A1	3/2006	Franklin et al.	
2006/0094522 A1	5/2006	Tang et al.	
2006/0223649 A1	10/2006	Rife	
2007/0129163 A1	6/2007	Solari	
2007/0135229 A1	6/2007	Lo et al.	
2007/0142122 A1	6/2007	Bonneau	
2007/0207875 A1	9/2007	Kuan et al.	
2007/0238548 A1	10/2007	Johnson	
2008/0139333 A1	6/2008	Klein	
2008/0146372 A1	6/2008	John	
2008/0176672 A1	7/2008	Roach et al.	
2009/0029800 A1	1/2009	Jones et al.	
2010/0255922 A1	10/2010	Lueders	
2011/0165959 A1	7/2011	Klein	
2013/0165256 A1	6/2013	Stevenson	
2013/0210537 A1	8/2013	Ainscough et al.	
2015/0057100 A1	2/2015	Serrano et al.	
2015/0258390 A1	9/2015	DeFrancesco, Jr.	
2015/0306477 A1	10/2015	Parsons et al.	
2016/0016050 A1	1/2016	Rife	
2018/0001163 A1	1/2018	Becktor et al.	

FOREIGN PATENT DOCUMENTS

JP	2004223184 A	8/2004
JP	2005160691 A	6/2005
KR	200377377 Y1	3/2005
KR	200403045 Y1	12/2005
KR	20100065481 A	6/2010
KR	101773069 B1	8/2017

OTHER PUBLICATIONS

International Search Report and Written Opinion issued in connection with corresponding application No. PCT/US15/27841 dated Jul. 30, 2015 (14 pages).

Plugged In Golf (2015 Bettinardi Putters Review) [online]. Mar. 3, 2015, [retrieve Nov. 25, 2019] Retrieve from the internet: .

TourSpecGolf (Gold's Factory Multi Weighted Custom Putter), Published Nov. 20, 2010 [http://blog.tourSpecgolf.com/golds-factory-multi-weighted-custom-putter/], Retrieved May 17, 2020.

U.S. Appl. No. 29/523,587, Schweigert, "Golf Club Head," filed Apr. 10, 2015.

* cited by examiner

Primary Examiner — Mitchell I. Siegel

(57)

CLAIM

The ornamental design for a golf club head, as shown and described.

DESCRIPTION

FIG. 1 is a top perspective view of a golf club head; FIG. 2 is a bottom perspective view of the golf club head of FIG. 1; FIG. 3 is a front elevational view of the golf club head of FIG. 1; FIG. 4 is a rear elevational view of the golf club head of FIG. 1; FIG. 5 is a top view of the golf club head of FIG. 1; FIG. 6 is a bottom view of the golf club head of FIG. 1; FIG. 7 is a left side view of the golf club head of FIG. 1; FIG. 8 is a right side view of the golf club head of FIG. 1; FIG. 9 is a top perspective view of a second embodiment of a golf club head; FIG. 10 is a bottom perspective view of the golf club head of FIG. 9; FIG. 11 is a front elevational view of the golf club head of FIG. 9; FIG. 12 is a rear elevational view of the golf club head of FIG. 9; FIG. 13 is a top view of the golf club head of FIG. 9; FIG. 14 is a bottom view of the golf club head of FIG. 9; FIG. 15 is a left side view of the golf club head of FIG. 9; FIG. 16 is a right side view of the golf club head of FIG. 9; FIG. 17 is a top perspective view of a third embodiment of a golf club head; FIG. 18 is a bottom perspective view of the golf club head of FIG. 17; FIG. 19 is a front elevational view of the golf club head of FIG. 17; FIG. 20 is a rear elevational view of the golf club head of FIG. 17; FIG. 21 is a top view of the golf club head of FIG. 17; FIG. 22 is a bottom view of the golf club head of FIG. 17; FIG. 23 is a left side view of the golf club head of FIG. 17; and, FIG. 24 is a right side view of the golf club head of FIG. 17. The broken line showing is included for the purpose of illustrating unclaimed subject matter and forms no part of the claimed design.

1 Claim, 12 Drawing Sheets

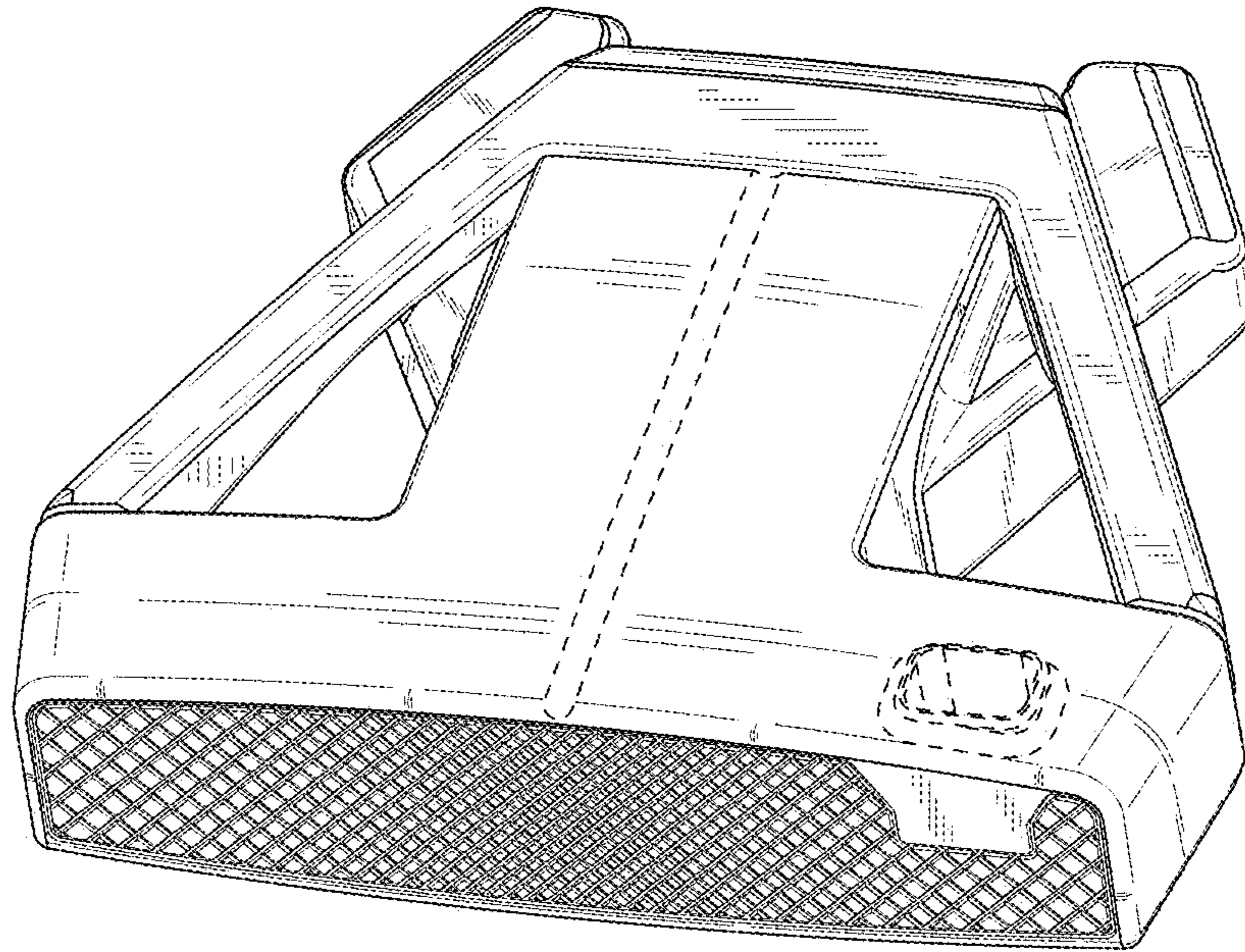


FIG. 1

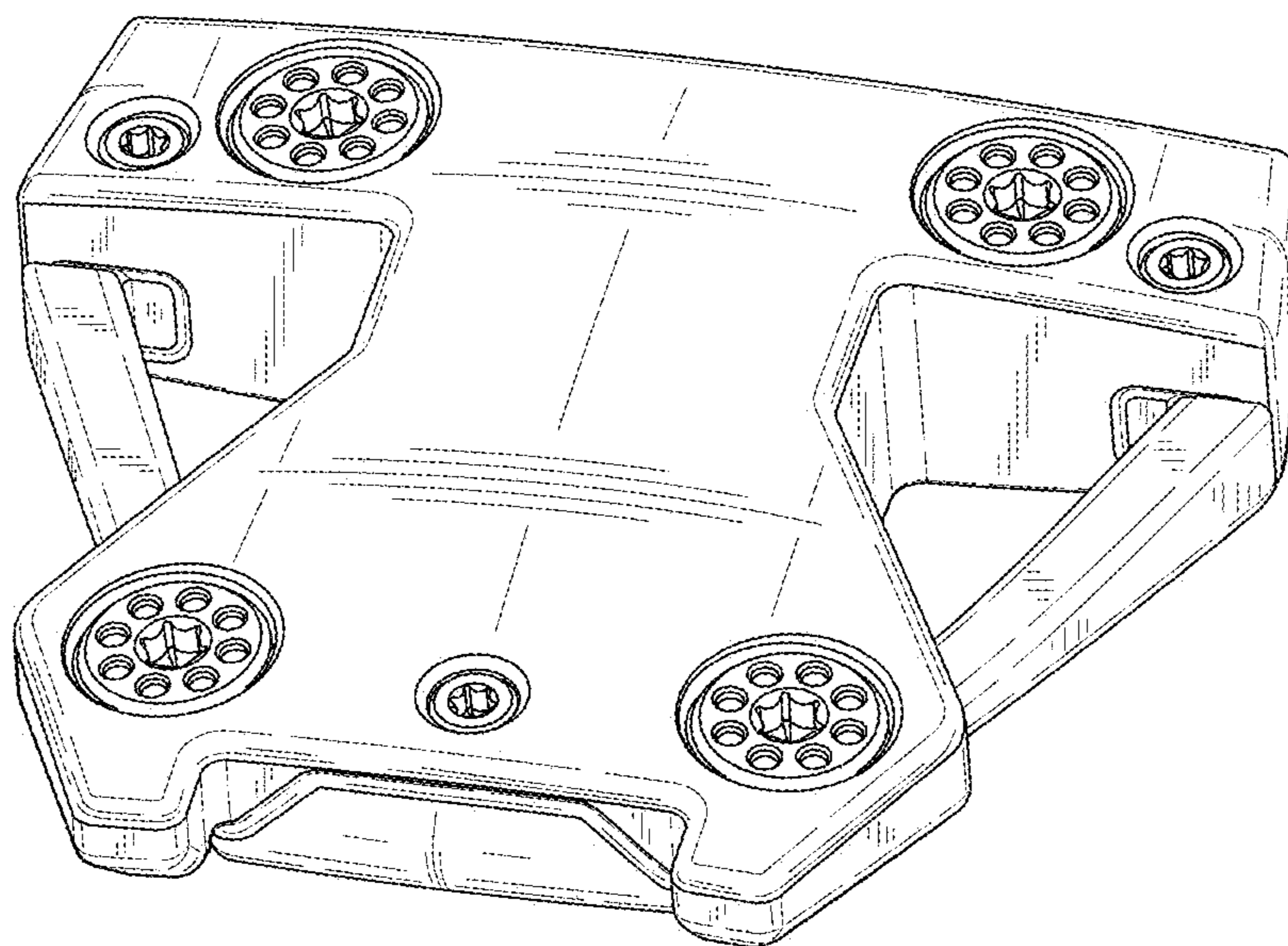


FIG. 2

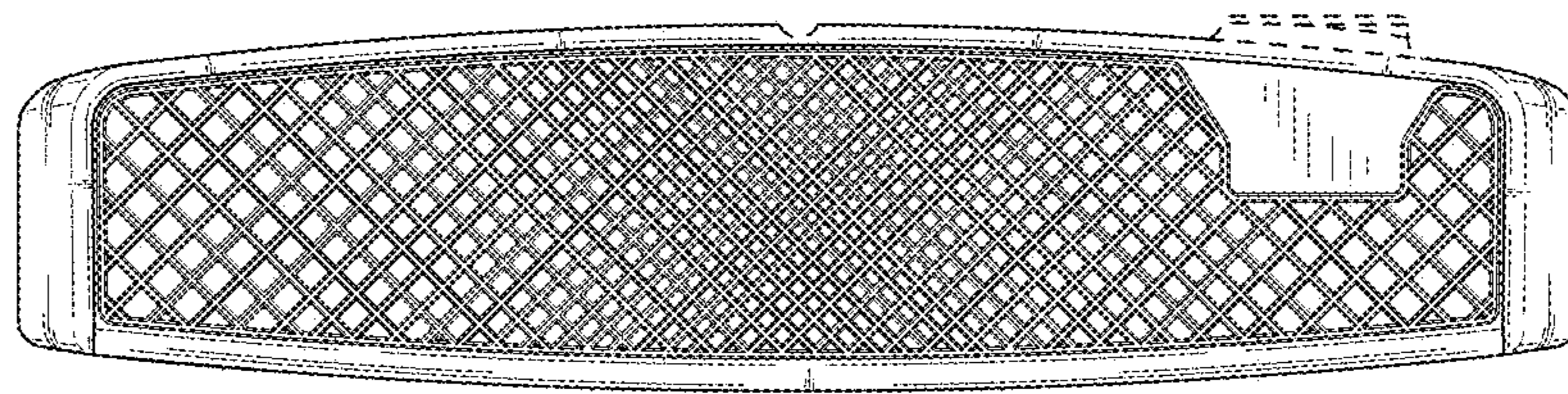


FIG. 3

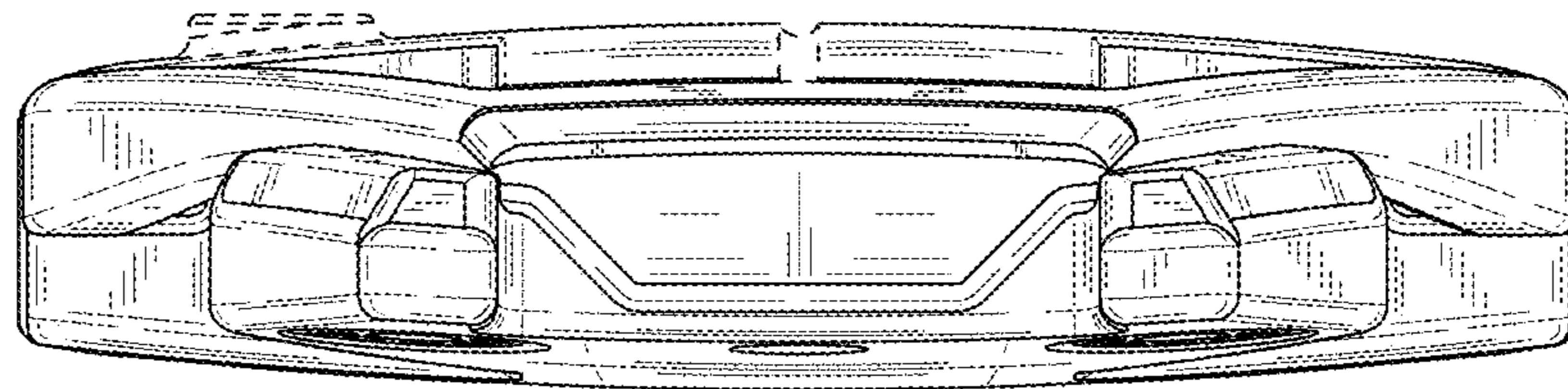


FIG. 4

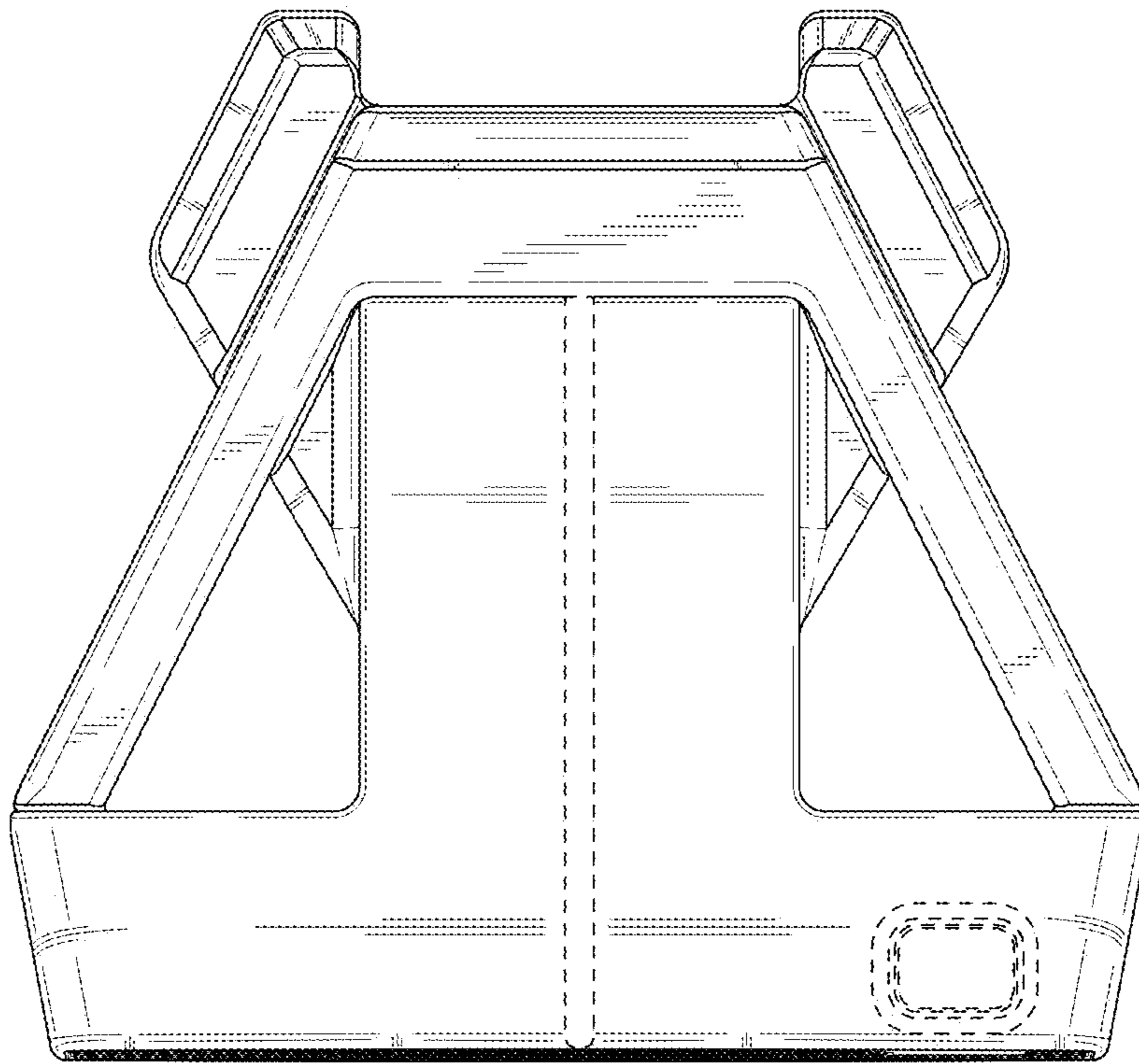


FIG. 5

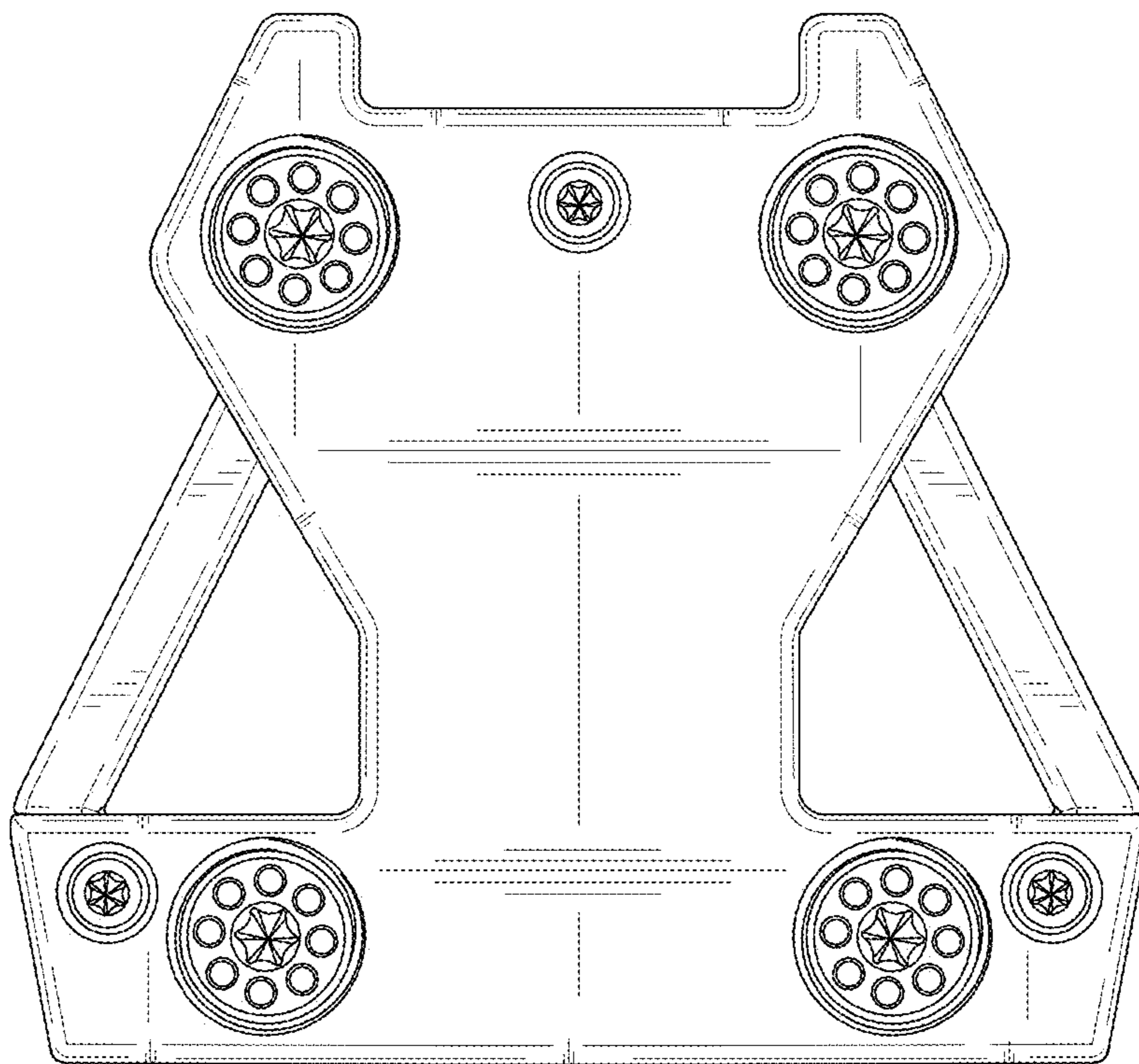


FIG. 6

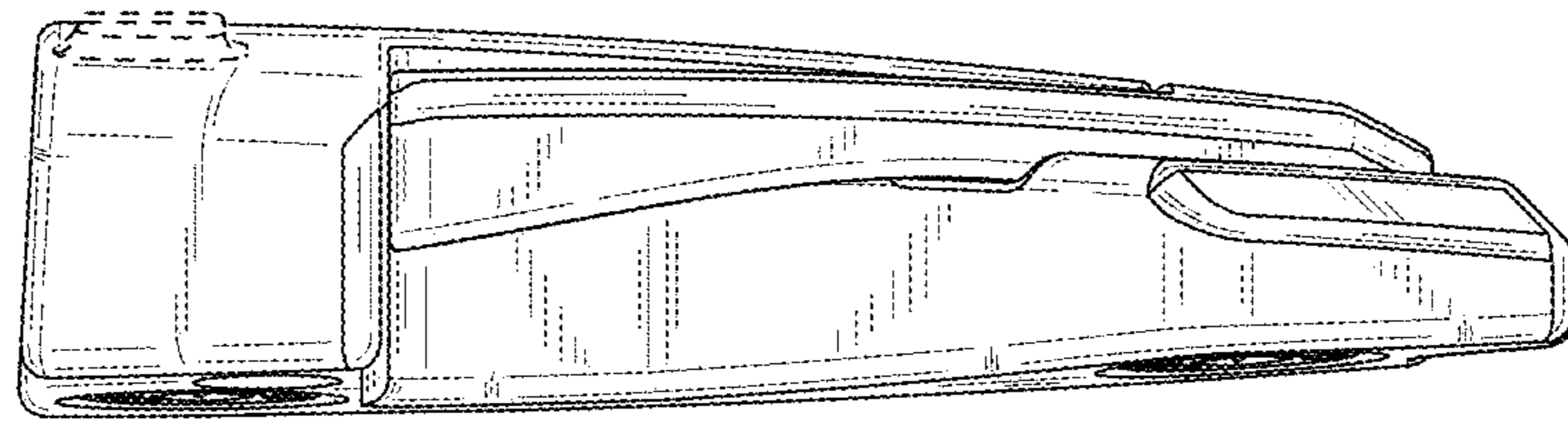


FIG. 7

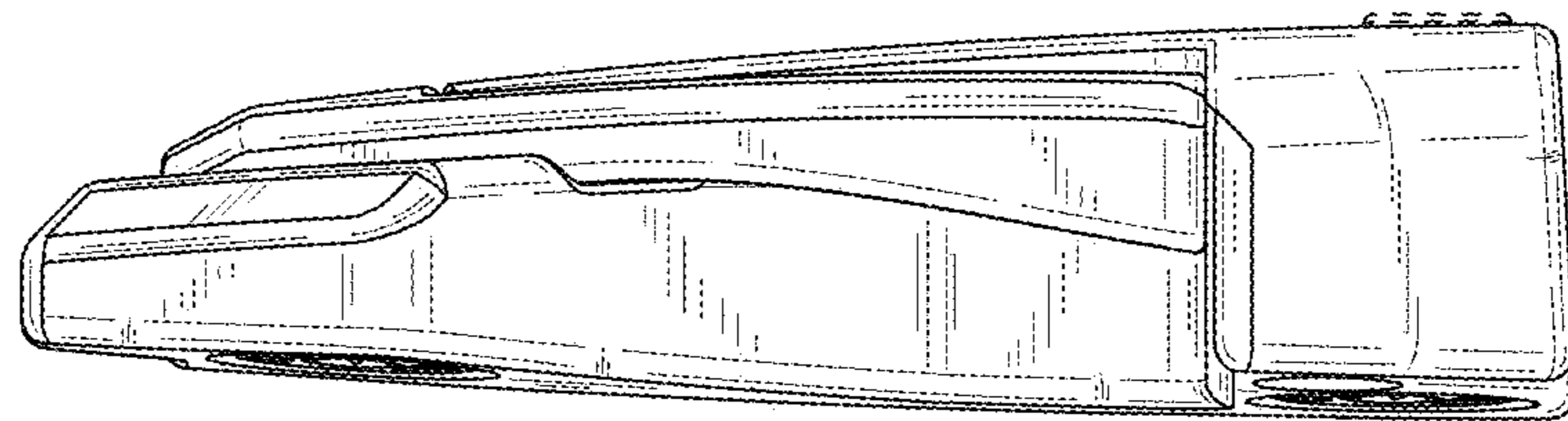


FIG. 8

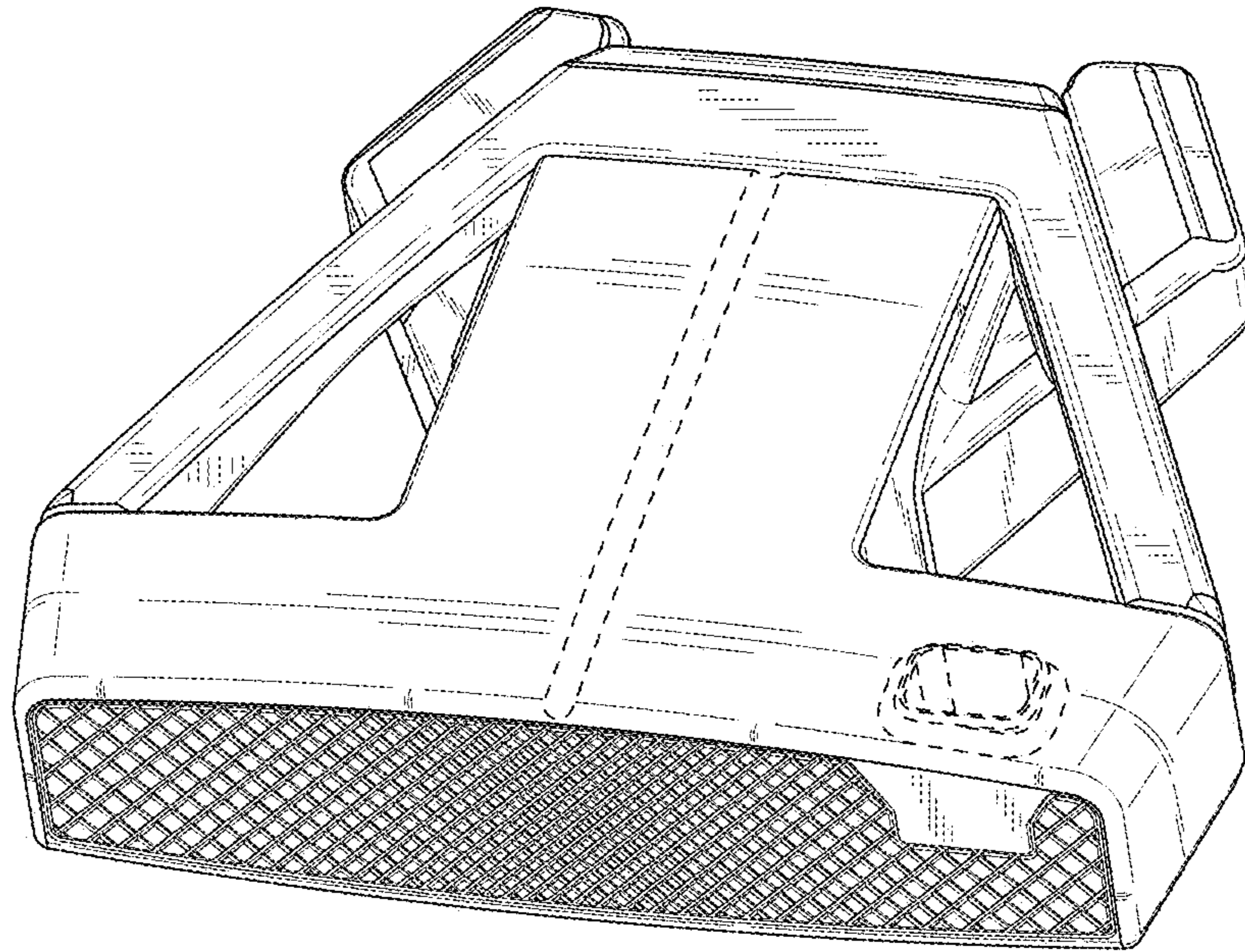


FIG. 9

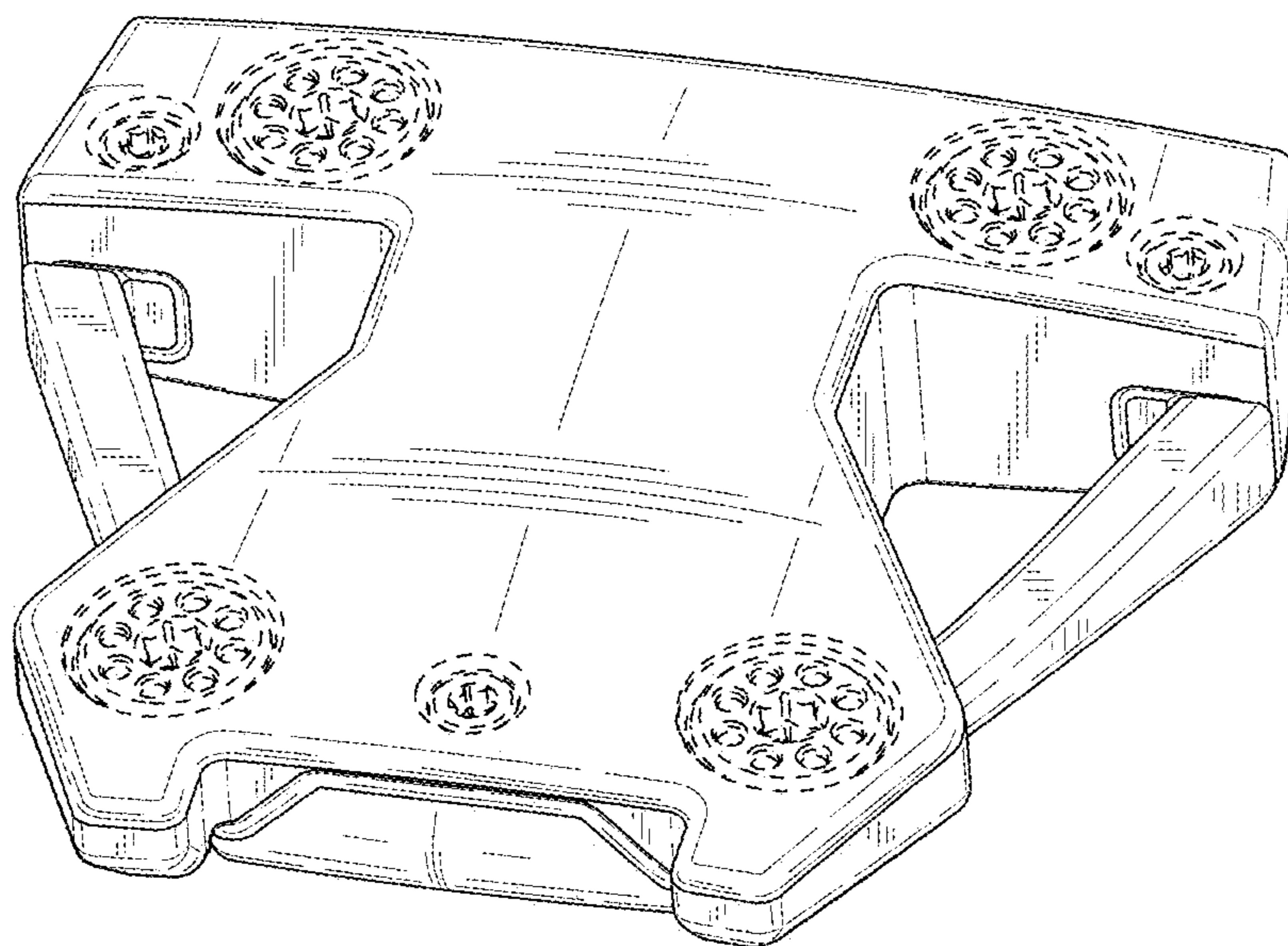


FIG. 10

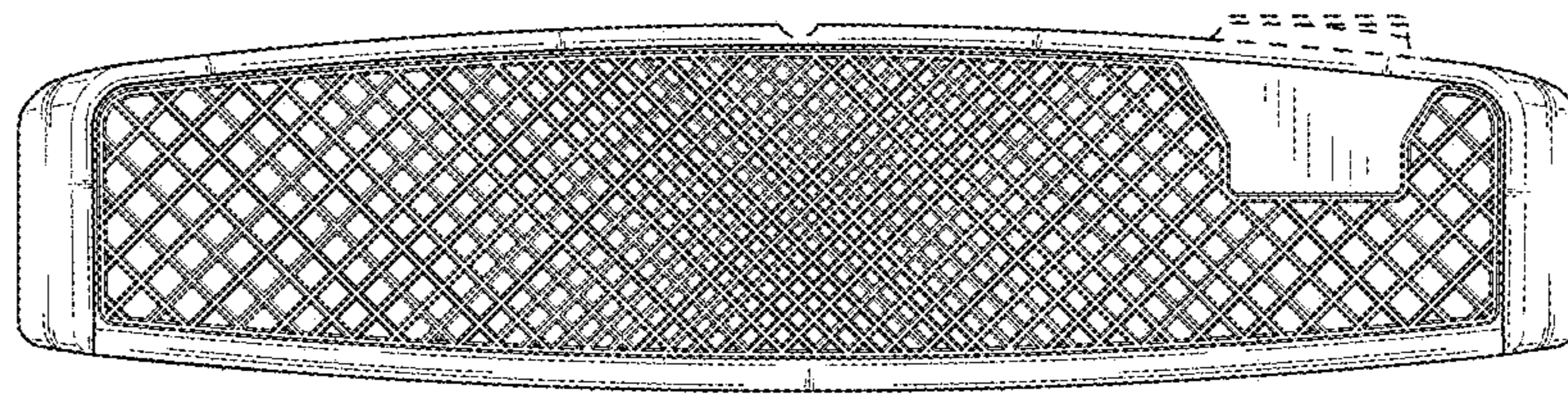


FIG. 11

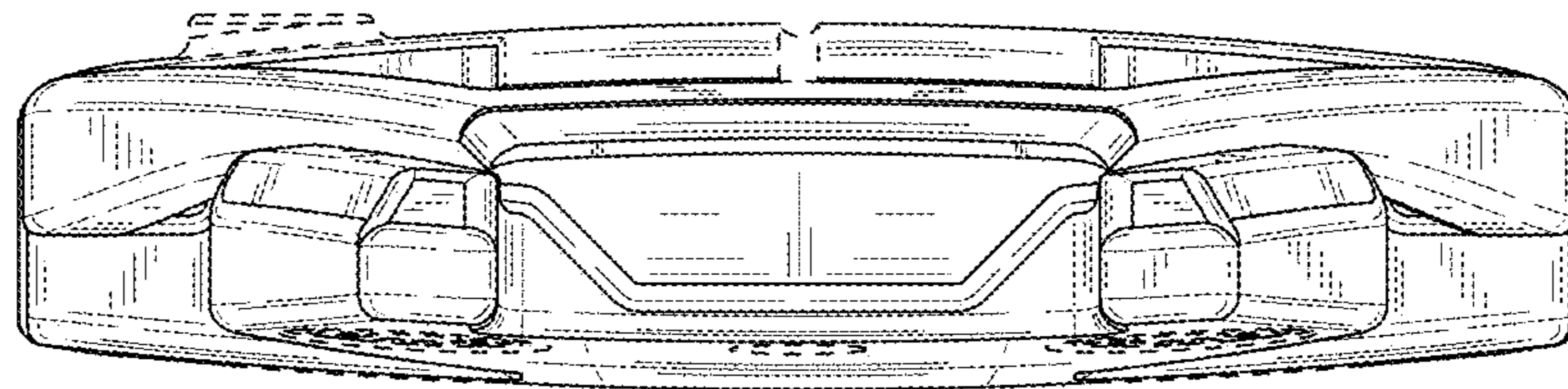


FIG. 12

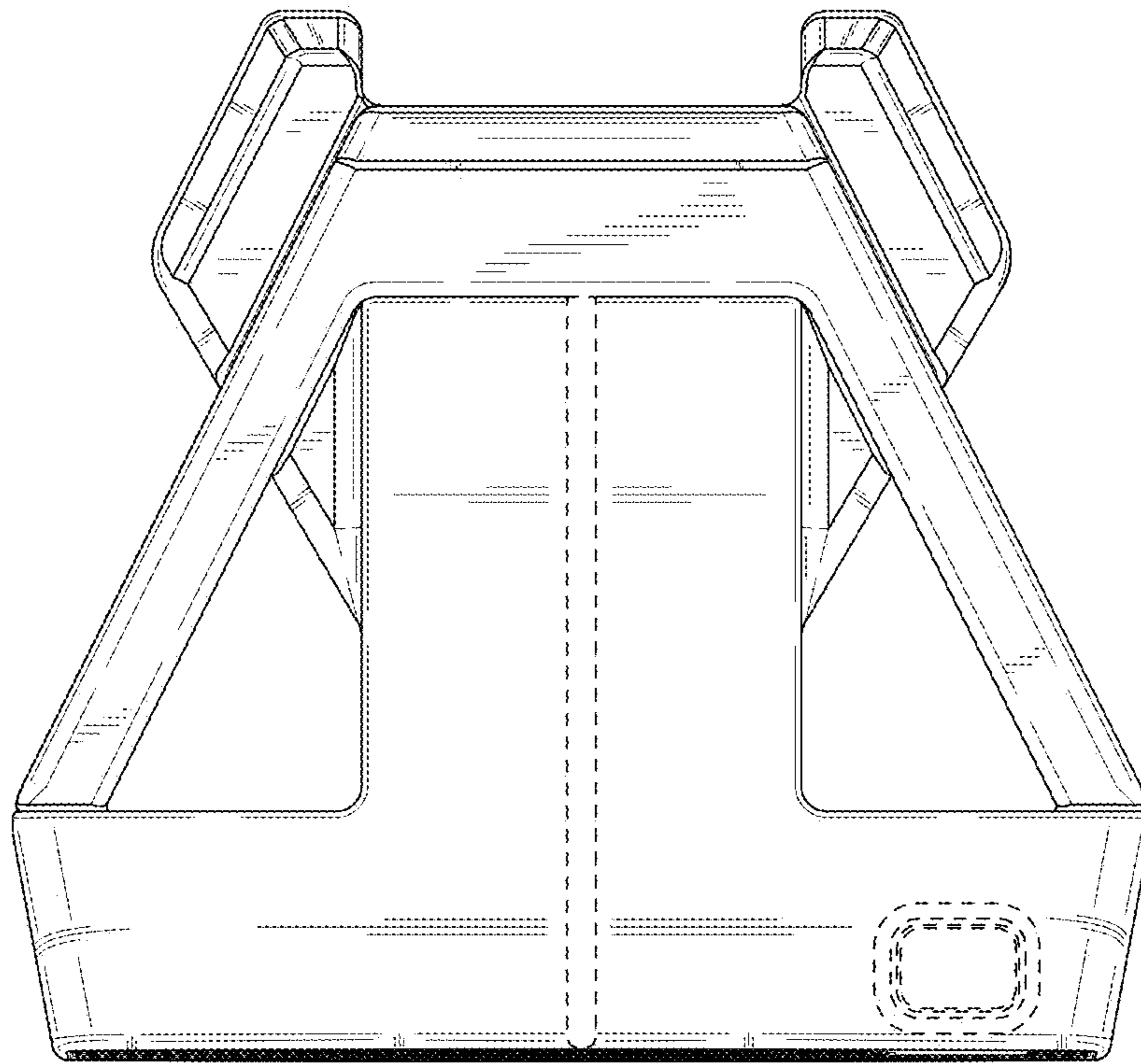


FIG. 13

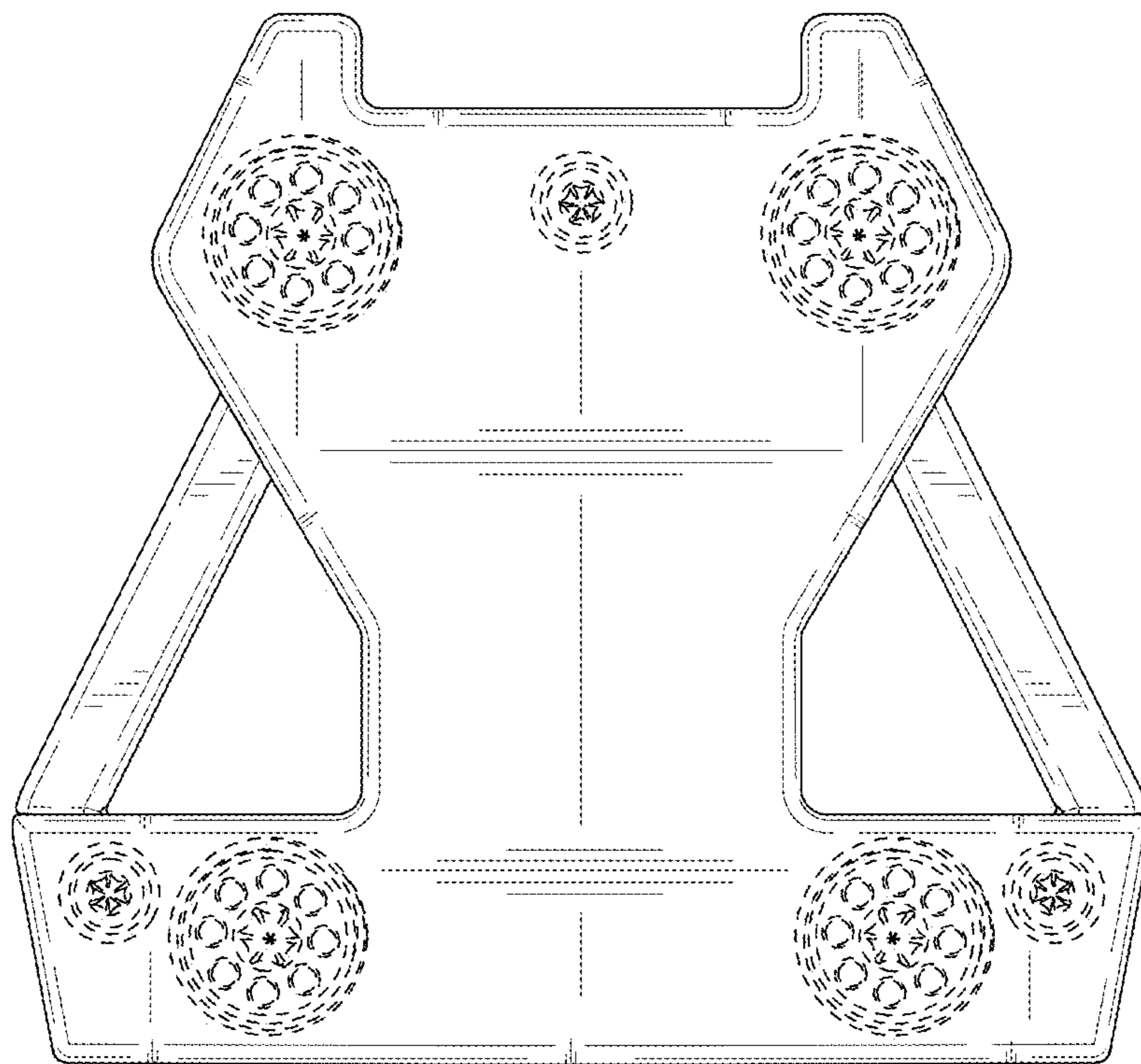


FIG. 14

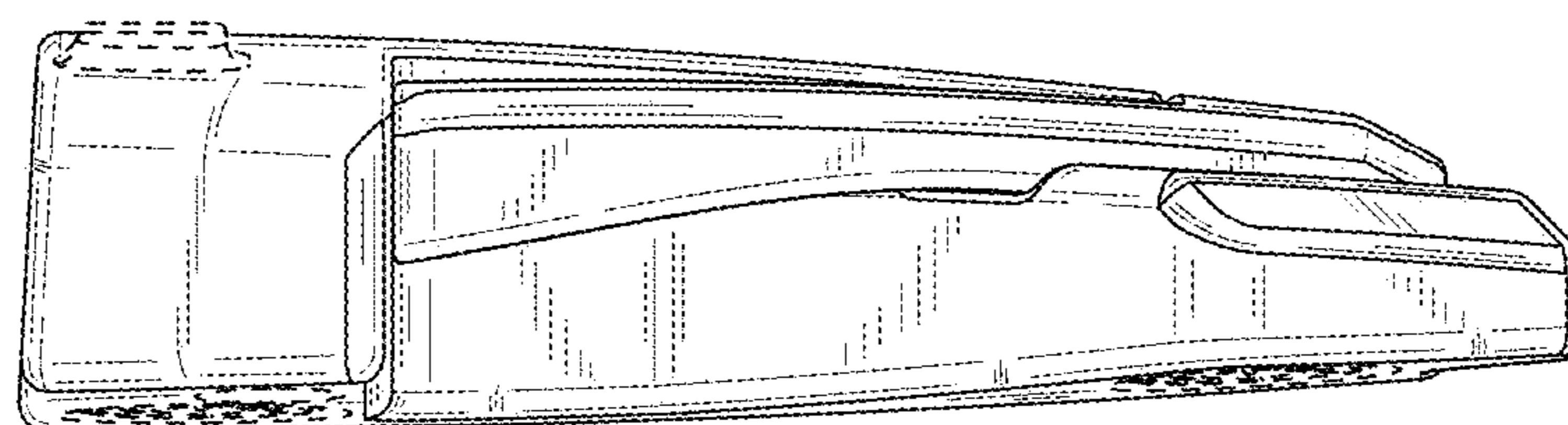


FIG. 15

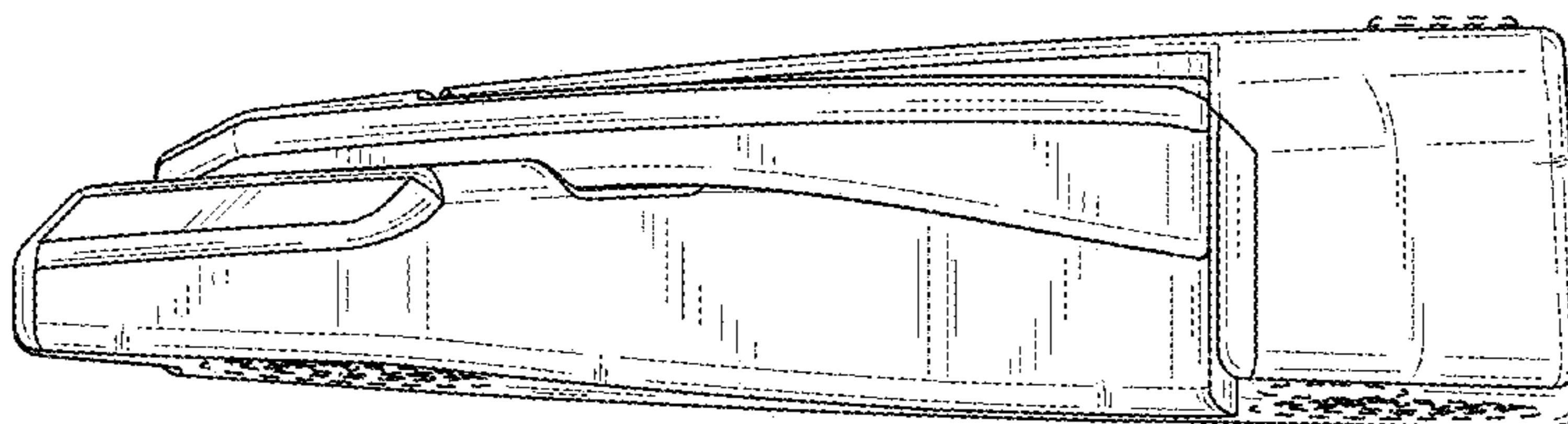


FIG. 16

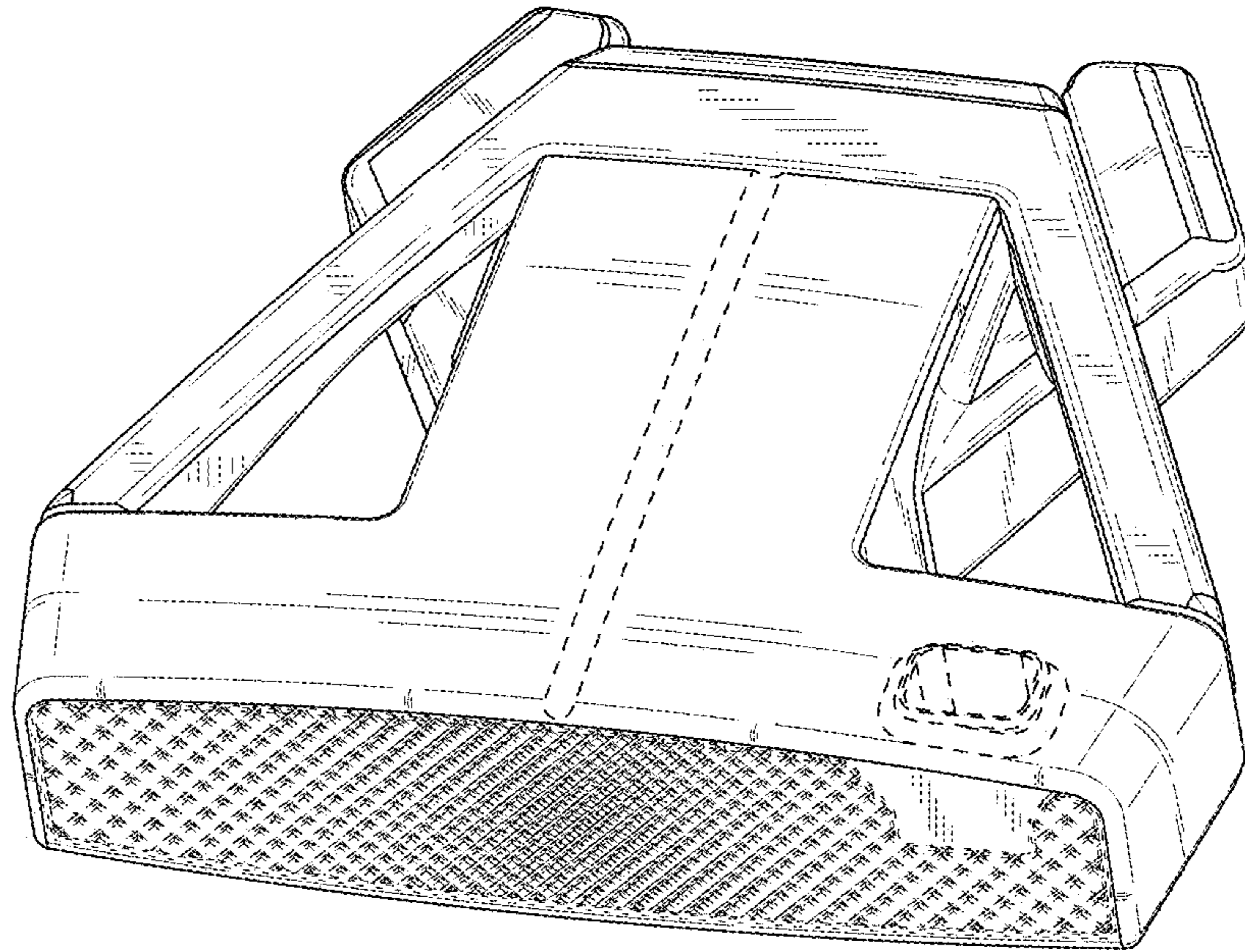


FIG. 17

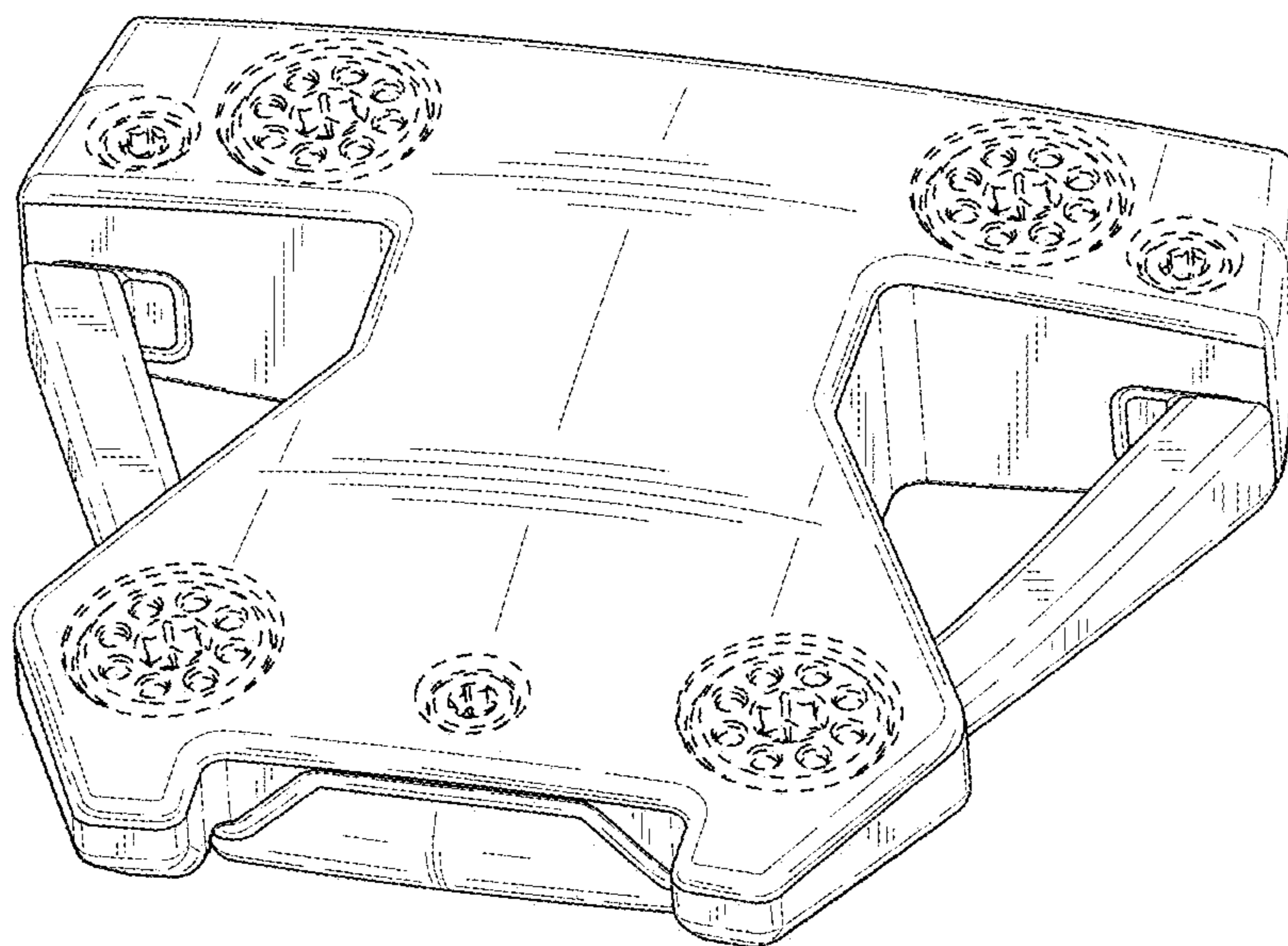


FIG. 18

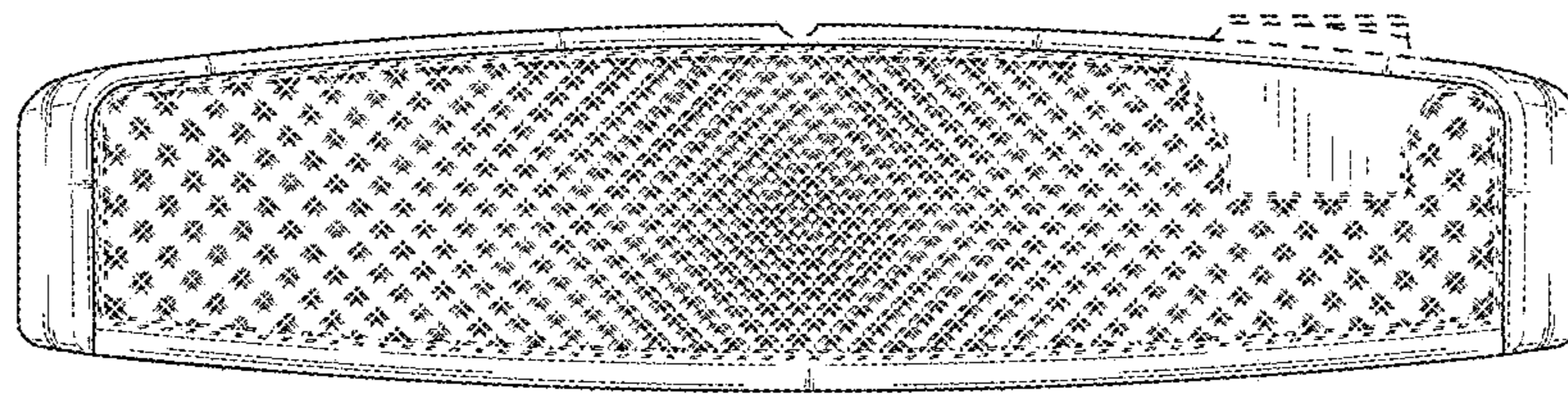


FIG. 19

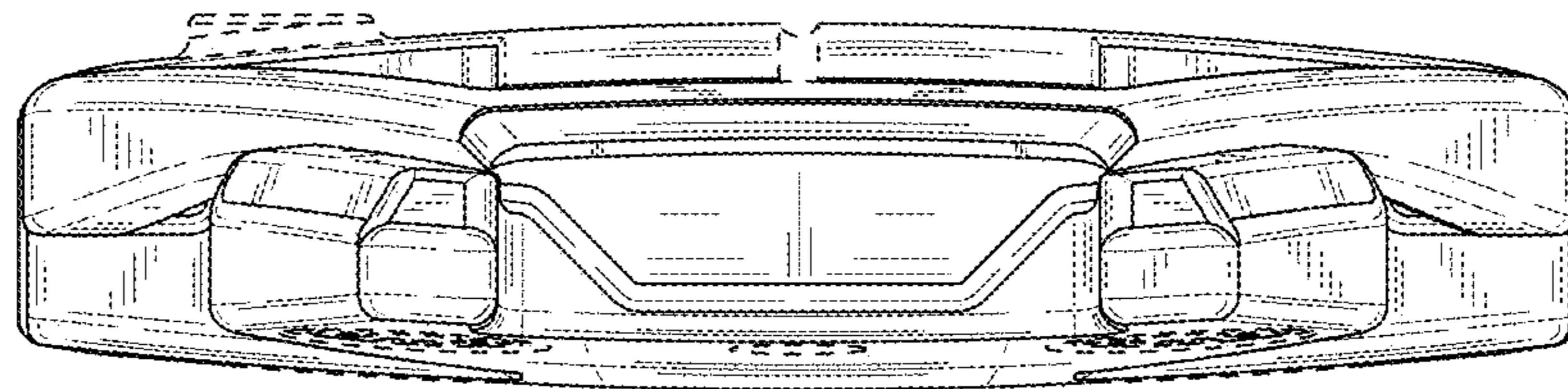


FIG. 20

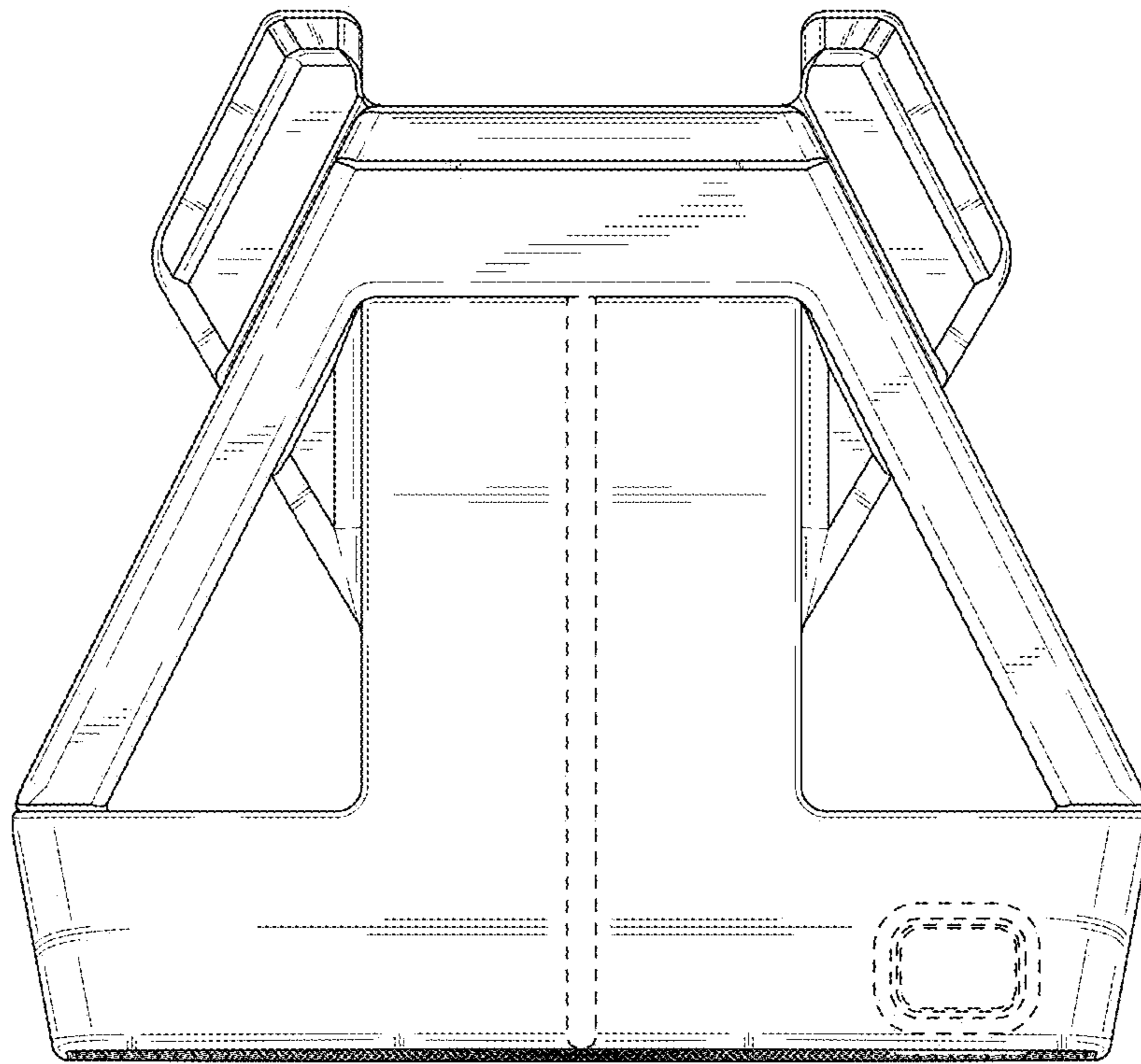


FIG. 21

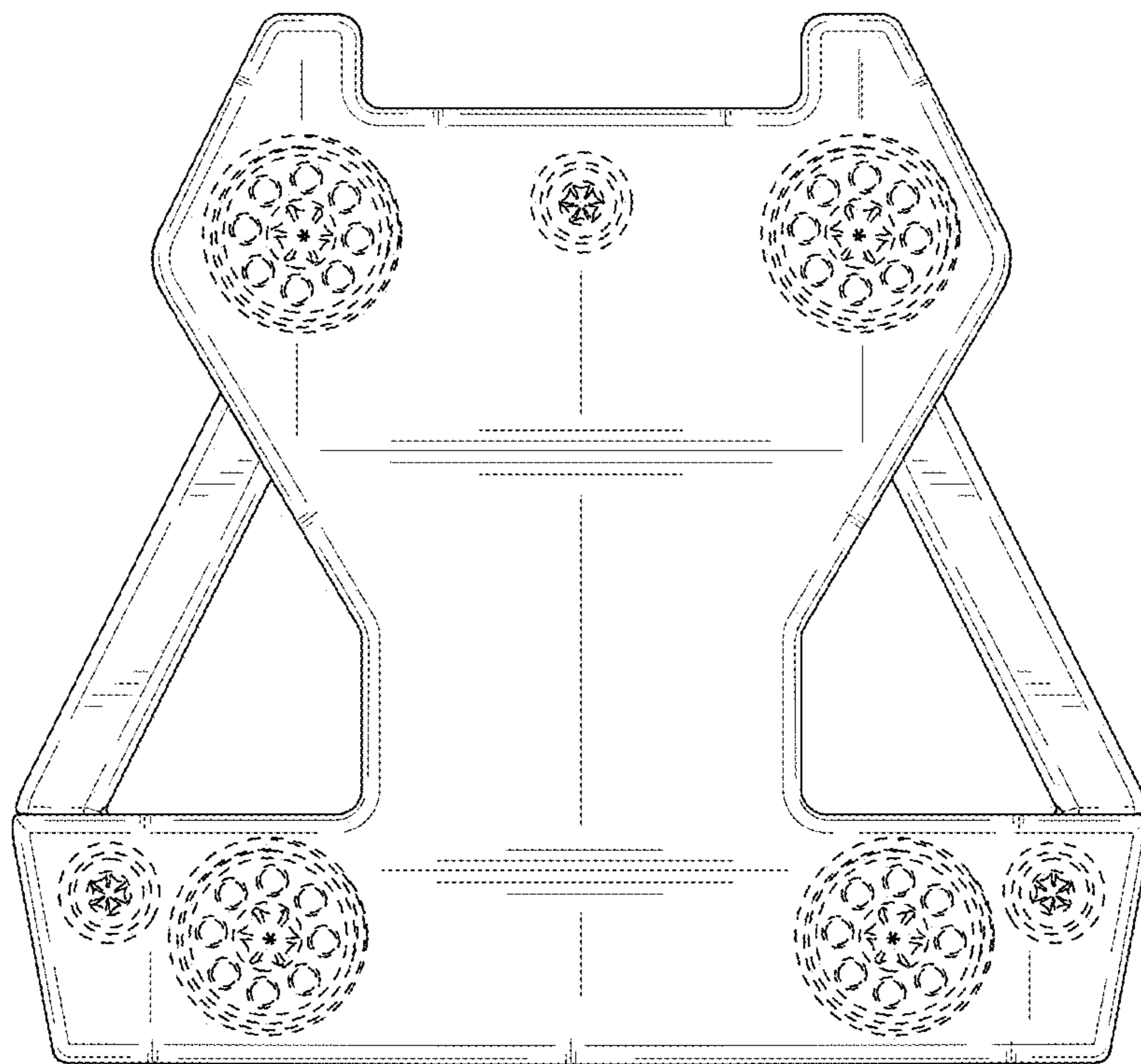


FIG. 22

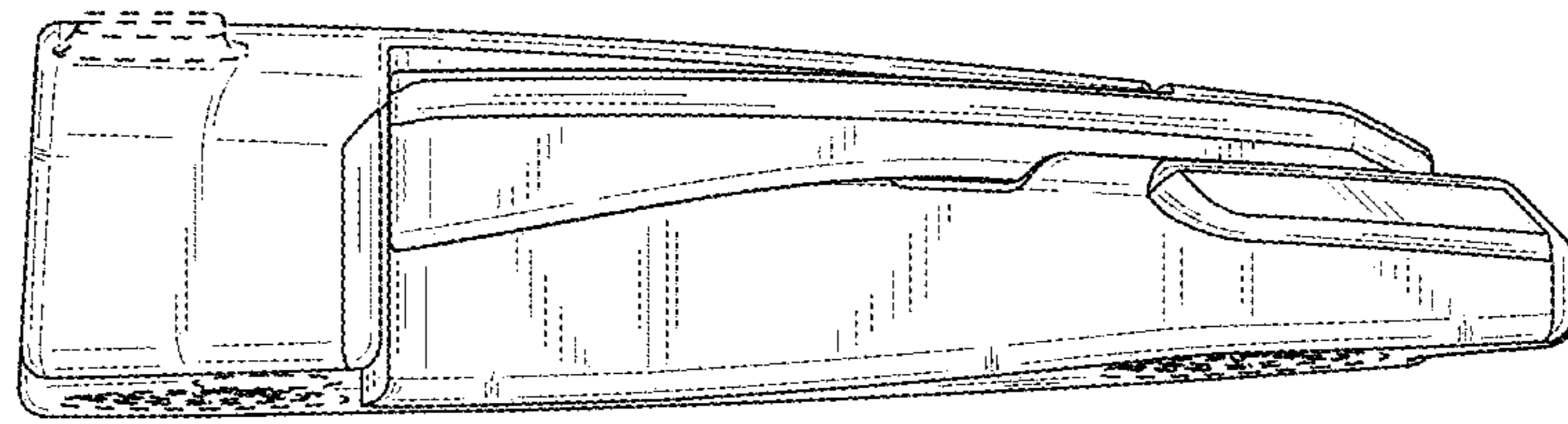


FIG. 23

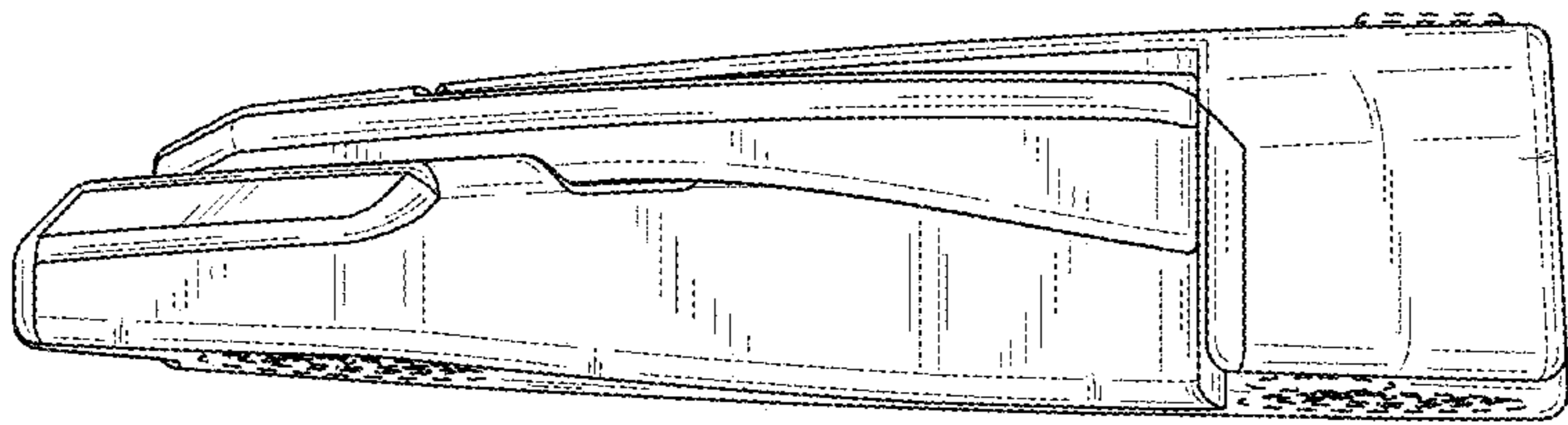


FIG. 24