



US00D945541S

(12) **United States Design Patent**  
**Dunahay**

(10) **Patent No.:** **US D945,541 S**  
(45) **Date of Patent:** **\*\* Mar. 8, 2022**

- (54) **BARBELL JACK**
- (71) Applicant: **Coulter Ventures, LLC**, Columbus, OH (US)
- (72) Inventor: **Nash Dunahay**, Columbus, OH (US)
- (73) Assignee: **Coulter Ventures, LLC.**, Columbus, OH (US)
- (\*\*) Term: **15 Years**
- (21) Appl. No.: **29/647,986**
- (22) Filed: **May 17, 2018**
- (51) **LOC (13) Cl.** ..... **21-02**
- (52) **U.S. Cl.**  
USPC ..... **D21/688**
- (58) **Field of Classification Search**  
USPC ..... 248/339, 302, 303, 340, 175; 224/268, 224/267, 247, 575, 605, 615, 666, 922; 482/104, 105, 106, 108, 109, 94, 142, 93, 482/139, 127, 50, 92, 40, 96, 46; D21/690, 686, 694, 689, 680, 681; D6/552; D29/120.1; D9/457, 434; D3/215  
CPC ..... A63B 21/078; A63B 21/0724; A63B 21/0728; A63B 21/072; A63B 21/0783; A63B 21/4047  
See application file for complete search history.

- 2008/0248930 A1\* 10/2008 Hoole ..... A63B 21/0724 482/104
- 2011/0183818 A1\* 7/2011 Mitchell ..... A63B 21/0724 482/104
- 2012/0225756 A1\* 9/2012 Reyes ..... A63B 21/078 482/104
- 2015/0157894 A1\* 6/2015 Rulli ..... A63B 21/078 482/104

**OTHER PUBLICATIONS**

Product listing for Rogue Deadlift Bar Jack; From: <http://web.archive.org/web/20170429213658/https://www.roguefitness.com/bar-jack>; dated Jun. 15, 2014, accessed Nov. 2, 2021.

\* cited by examiner

*Primary Examiner* — Ryan Harvey  
(74) *Attorney, Agent, or Firm* — Banner & Witcoff, Ltd.

(57) **CLAIM**

The ornamental design for a barbell jack, as shown and described.

**DESCRIPTION**

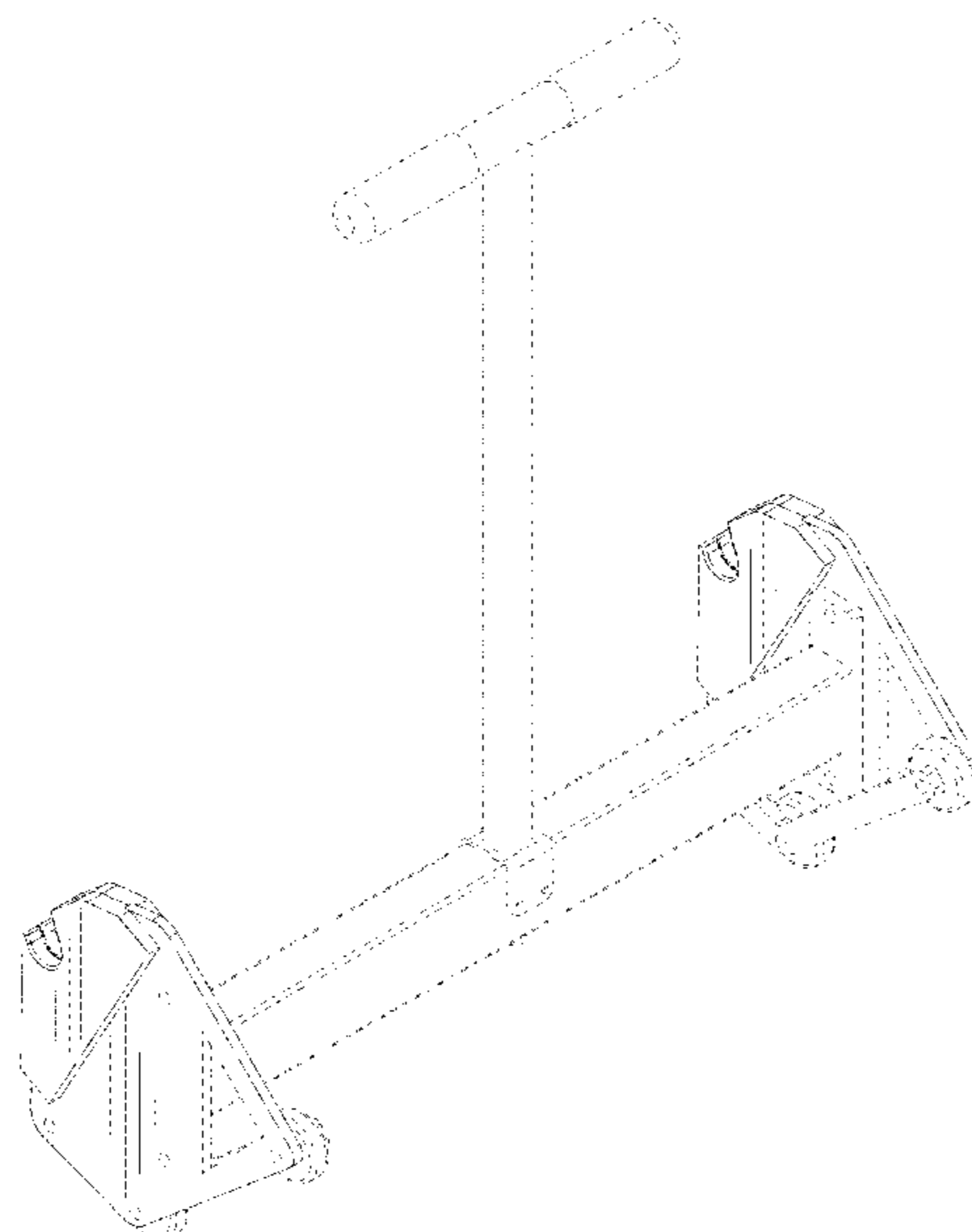
FIG. 1 of the drawings is a rear, left, top perspective view of a barbell jack showing our new design;  
FIG. 2 of the drawings is a bottom, right, front perspective view thereof;  
FIG. 3 of the drawings is a front view thereof;  
FIG. 4 of the drawings is a rear view thereof;  
FIG. 5 of the drawings is a left side view thereof;  
FIG. 6 of the drawings is a right side view thereof;  
FIG. 7 of the drawings is a top view thereof;  
FIG. 8 of the drawings is a bottom view thereof; and,  
FIG. 9 of the drawings is a rear, left, top perspective view of the barbell jack shown in exemplary use holding a barbell. The even-length broken lines depicting the remainder of the barbell jack show portions forming no part of the claimed design.

**1 Claim, 9 Drawing Sheets**

(56) **References Cited**

**U.S. PATENT DOCUMENTS**

- D272,375 S \* 1/1984 Fuller, Sr. .... D21/694
- 7,674,208 B2 \* 3/2010 Hoole ..... A63B 21/0724 482/104
- 8,926,481 B2 \* 1/2015 Moore ..... A63B 21/0724 482/104
- D843,517 S \* 3/2019 Anderson ..... D21/688
- D844,719 S \* 4/2019 Longazel ..... D21/688



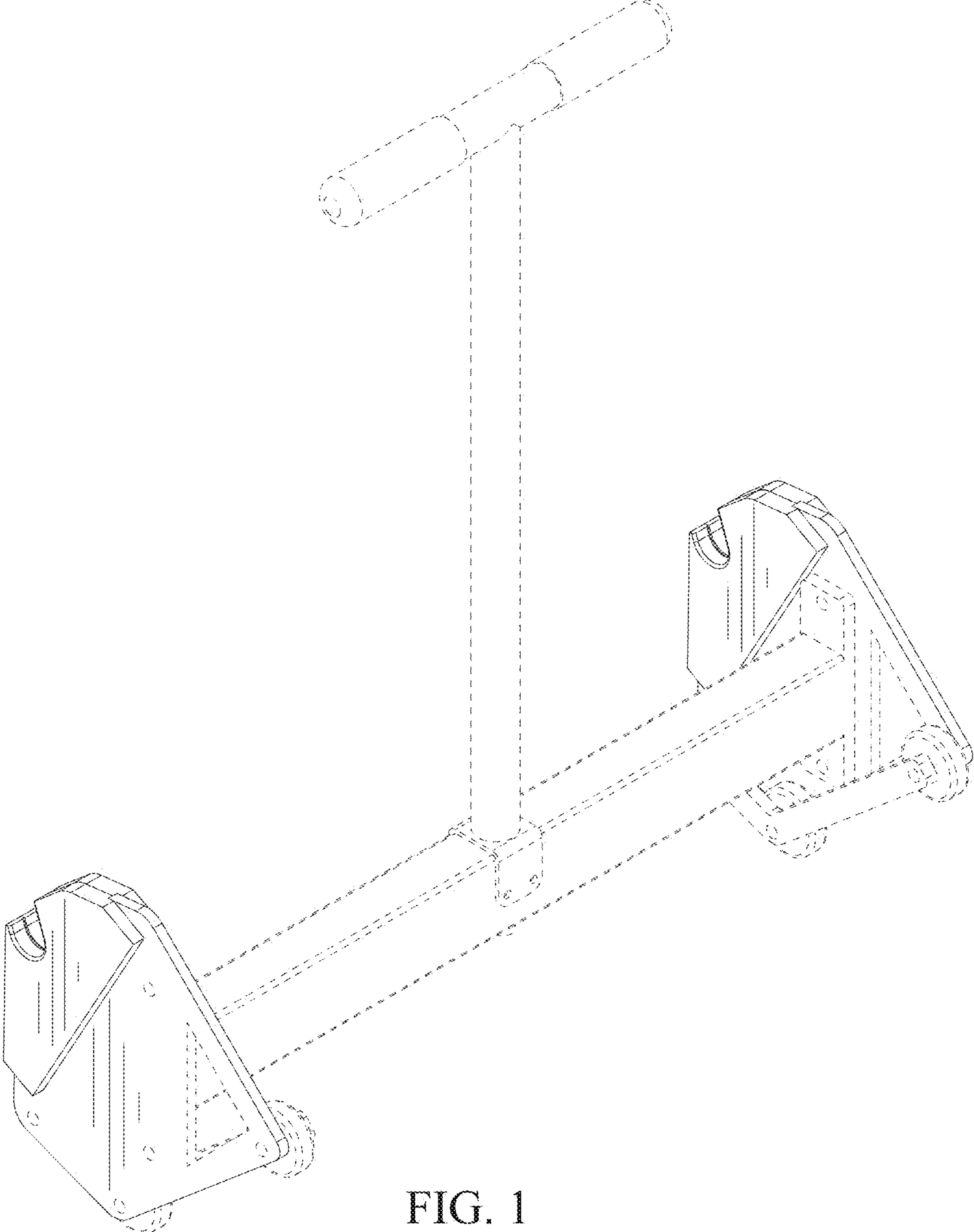


FIG. 1

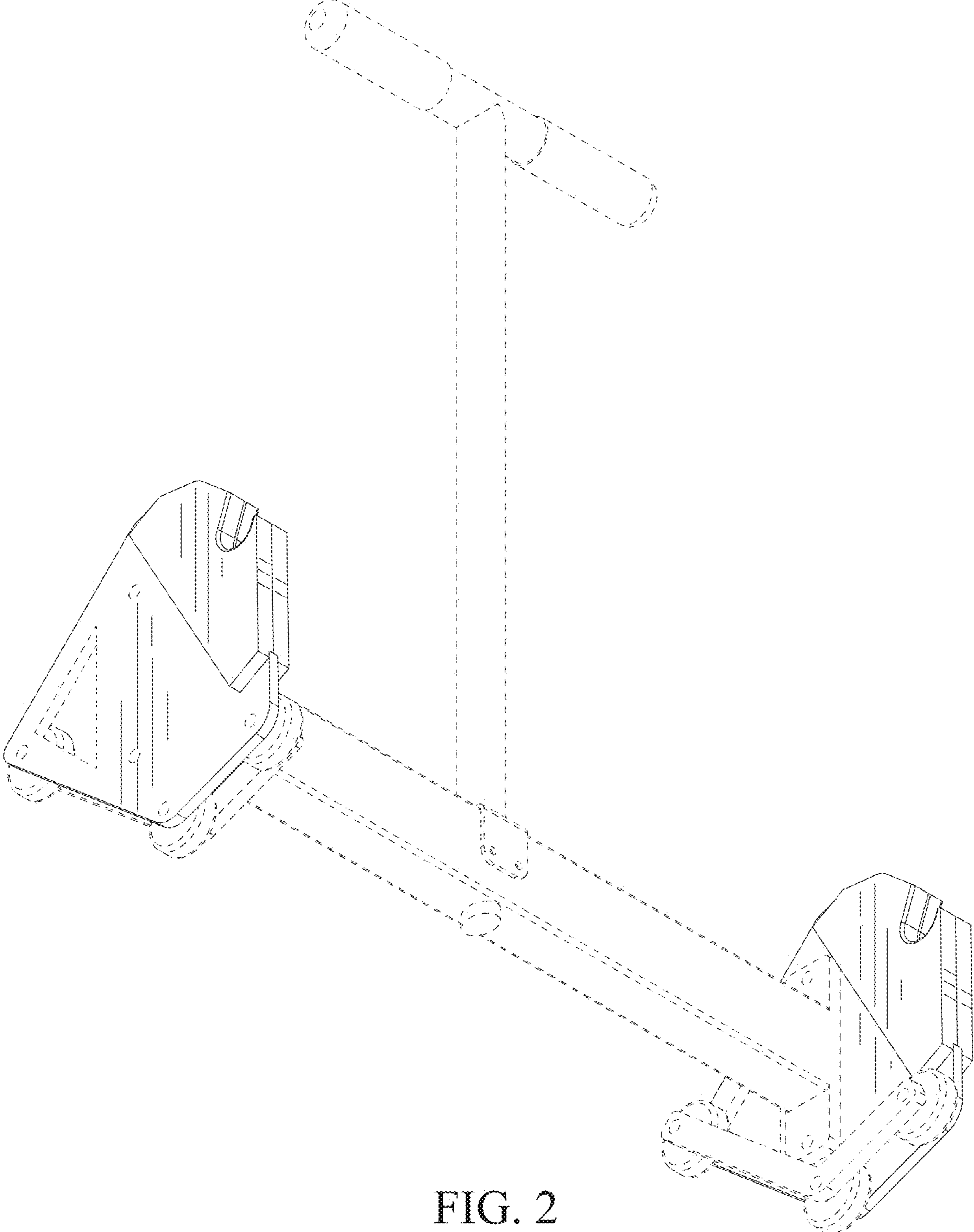


FIG. 2

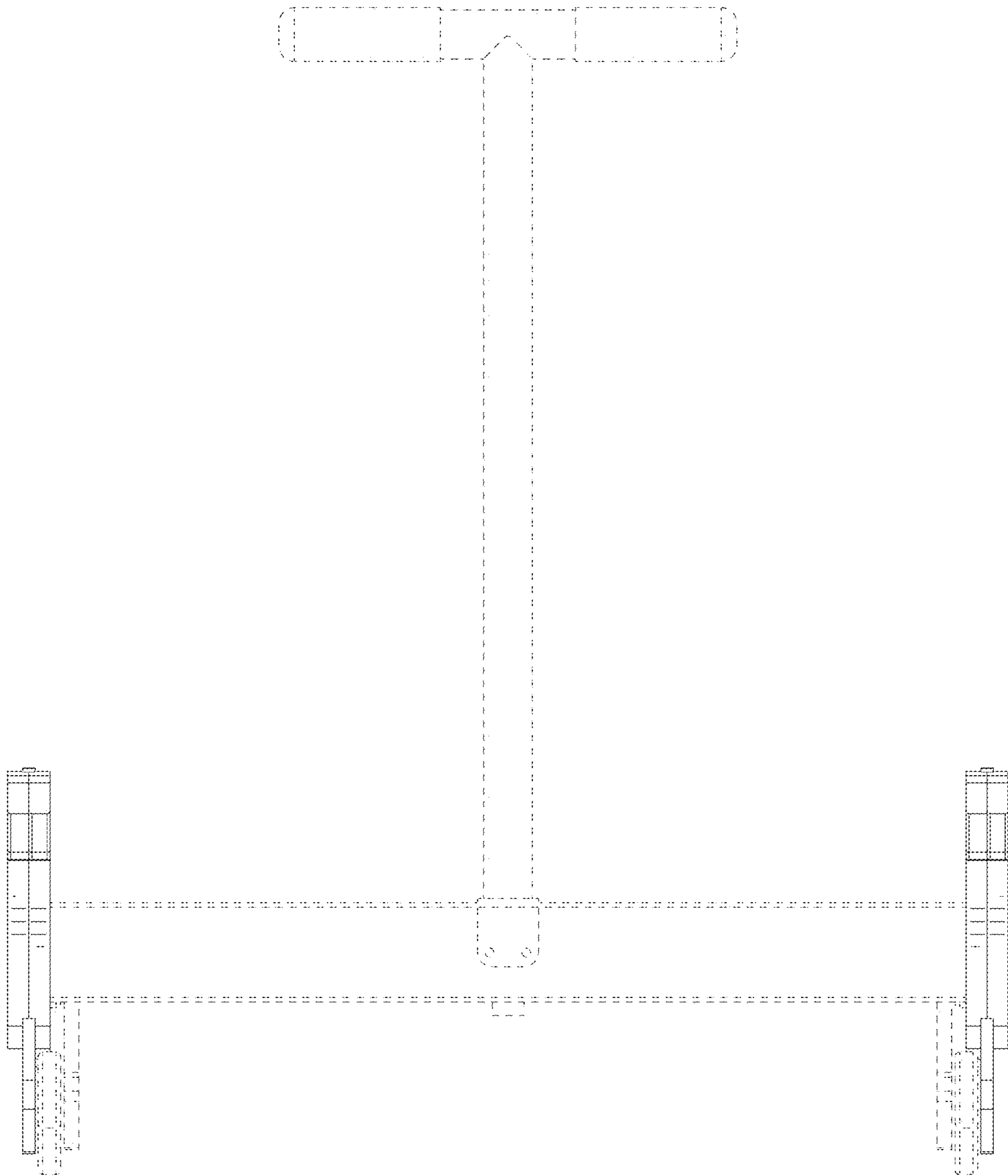


FIG. 3

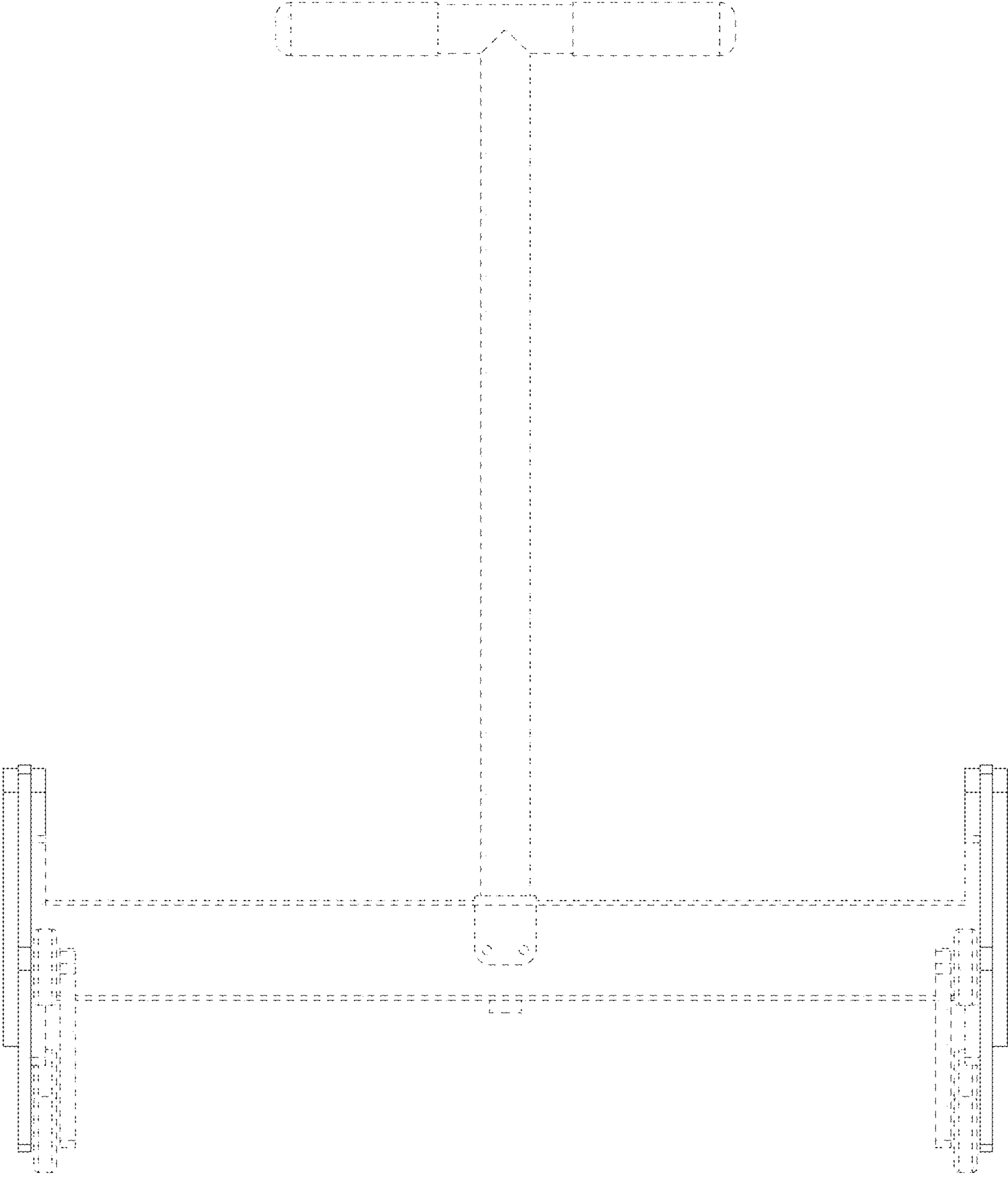


FIG. 4

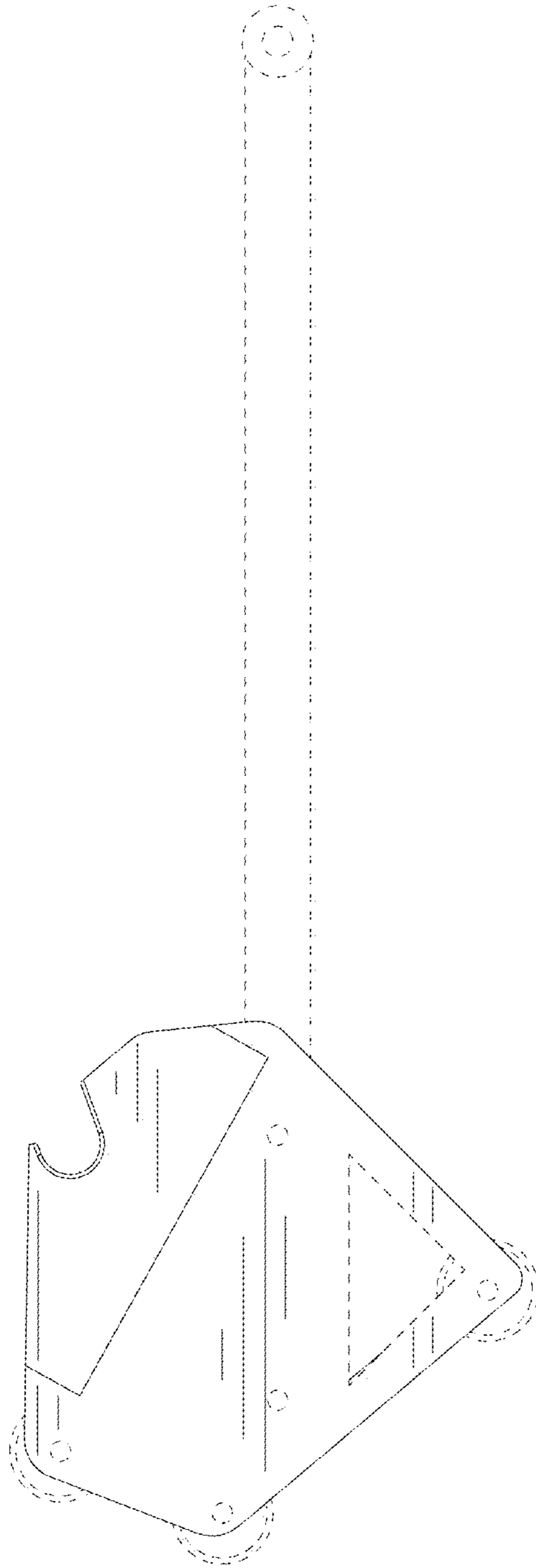


FIG. 5

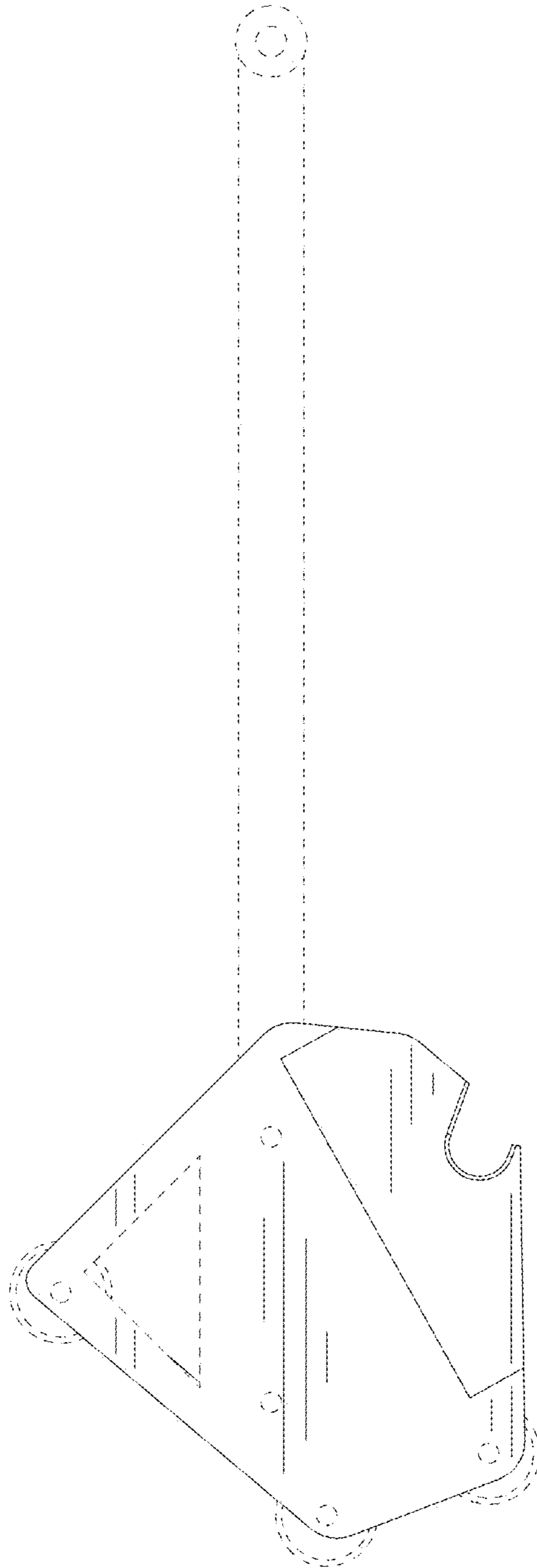


FIG. 6

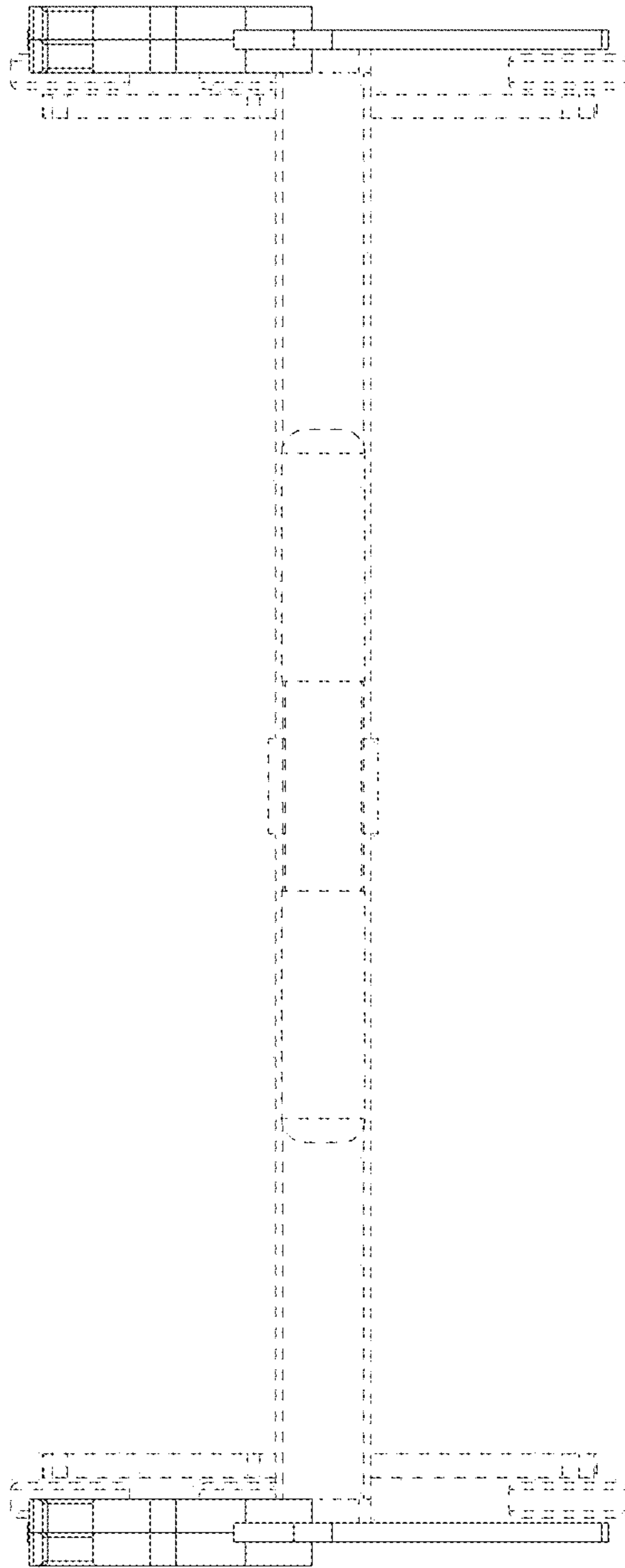


FIG. 7



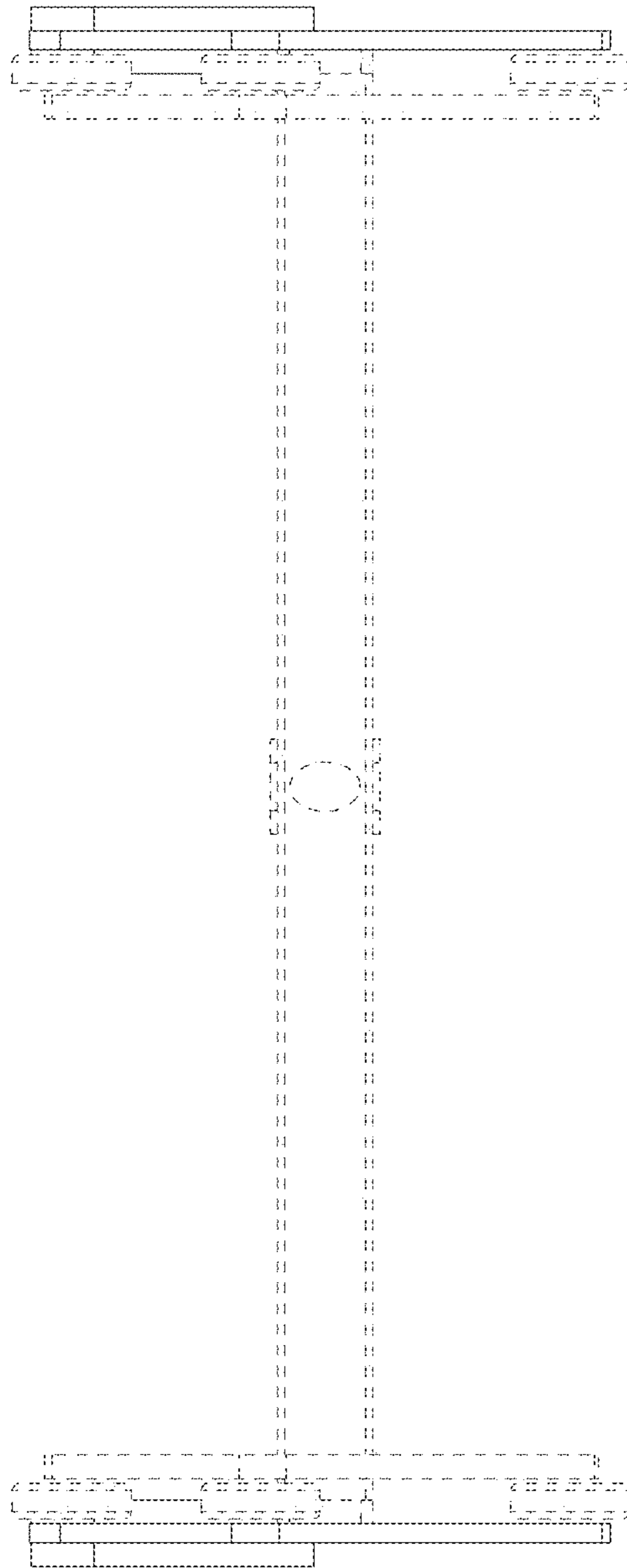


FIG. 8

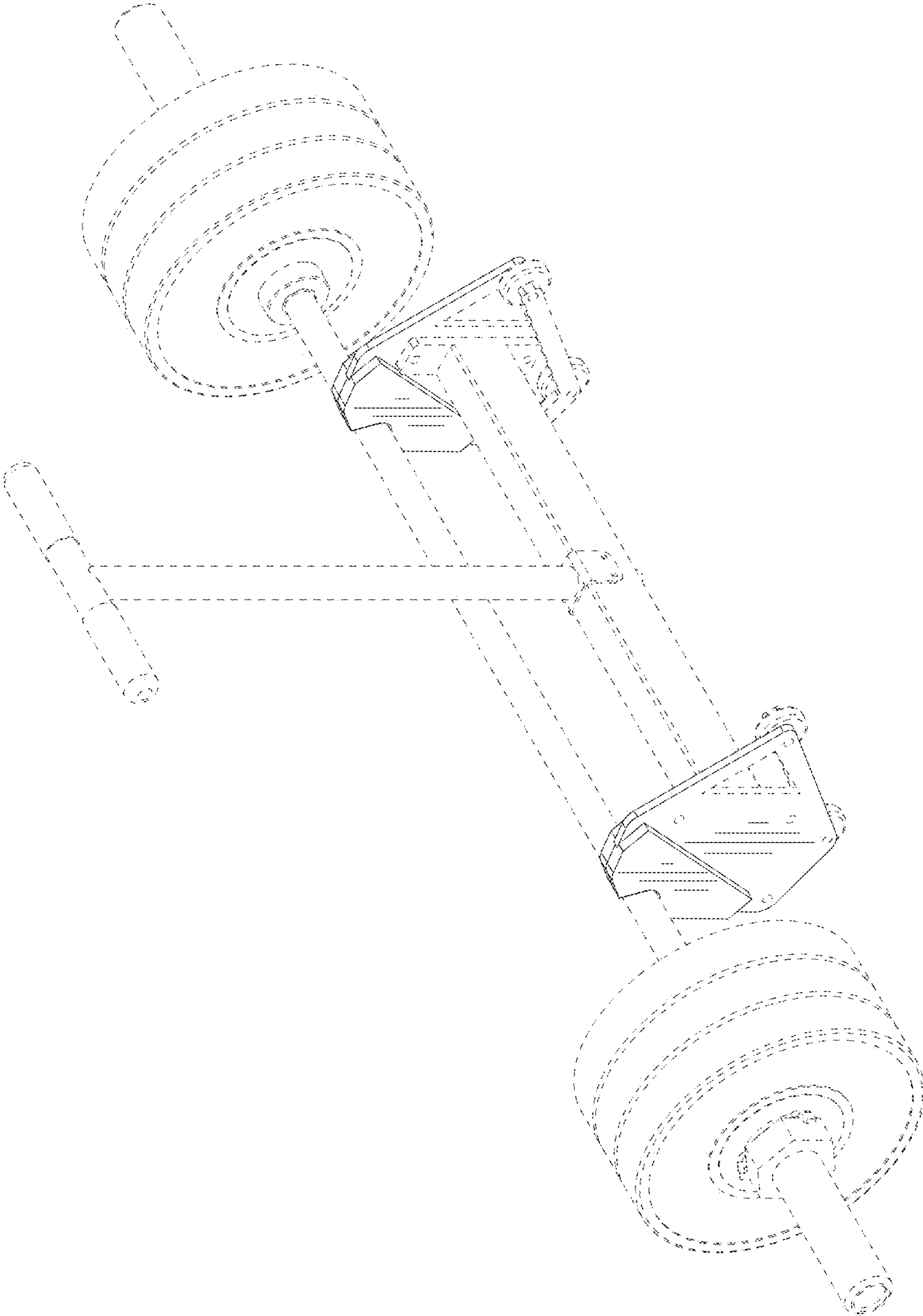


FIG. 9