



US00D945538S

(12) **United States Design Patent**  
**Chen**

(10) **Patent No.:** **US D945,538 S**

(45) **Date of Patent:** **\*\* Mar. 8, 2022**

(54) **ELLIPTICAL MACHINE**

(71) Applicant: **Zhongshan Shengdongli Fitness Equipment Co., Ltd., Zhongshan (CN)**

(72) Inventor: **Yongjun Chen, Zhongshan (CN)**

(73) Assignee: **Zhongshan Shengdongli Fitness Equipment Co., Ltd., Zhongshan (CN)**

(\*\*) Term: **15 Years**

(21) Appl. No.: **29/691,058**

(22) Filed: **May 14, 2019**

(51) **LOC (13) Cl.** ..... **21-01**

(52) **U.S. Cl.**  
USPC ..... **D21/670**

(58) **Field of Classification Search**  
USPC ..... D21/670, 686–691, 694–695; D6/349,  
D6/353–355, 368  
See application file for complete search history.

(56) **References Cited**

**U.S. PATENT DOCUMENTS**

6,918,857	B2 *	7/2005	Chen	.....	A63B 22/0056	482/53
D514,635	S *	2/2006	Hsiao	.....	D21/670	
D519,583	S *	4/2006	Chen	.....	D21/668	
7,637,849	B2 *	12/2009	Chen	.....	A63B 22/0012	482/52
7,878,948	B2 *	2/2011	Chen	.....	A63B 22/0066	482/52
8,152,698	B1 *	4/2012	Chen	.....	A63B 22/14	482/53
D781,383	S *	3/2017	Ho	.....	D21/670	
D781,384	S *	3/2017	Ho	.....	D21/670	
D793,494	S *	8/2017	Mansfield	.....	D21/668	
D822,773	S *	7/2018	Khubani	.....	D21/668	

D908,179	S *	1/2021	Hsieh	.....	D21/670	
2003/0017916	A1 *	1/2003	Juan	.....	A63B 23/0429	482/51
2005/0070403	A1 *	3/2005	Yu	.....	A63B 22/0056	482/53

(Continued)

**OTHER PUBLICATIONS**

“DeskCycle Ellipse Under Desk Elliptical Machine” Jan. 3, 2019, site visited Sep. 24, 2021: [https://www.amazon.com/DeskCycle-Ellipse-Under-Elliptical-Black/dp/B07MBQ19Z2/\(Year:2019\).\\*](https://www.amazon.com/DeskCycle-Ellipse-Under-Elliptical-Black/dp/B07MBQ19Z2/(Year:2019).*)

(Continued)

*Primary Examiner* — Michael C Stout

*Assistant Examiner* — Melvin L Davis

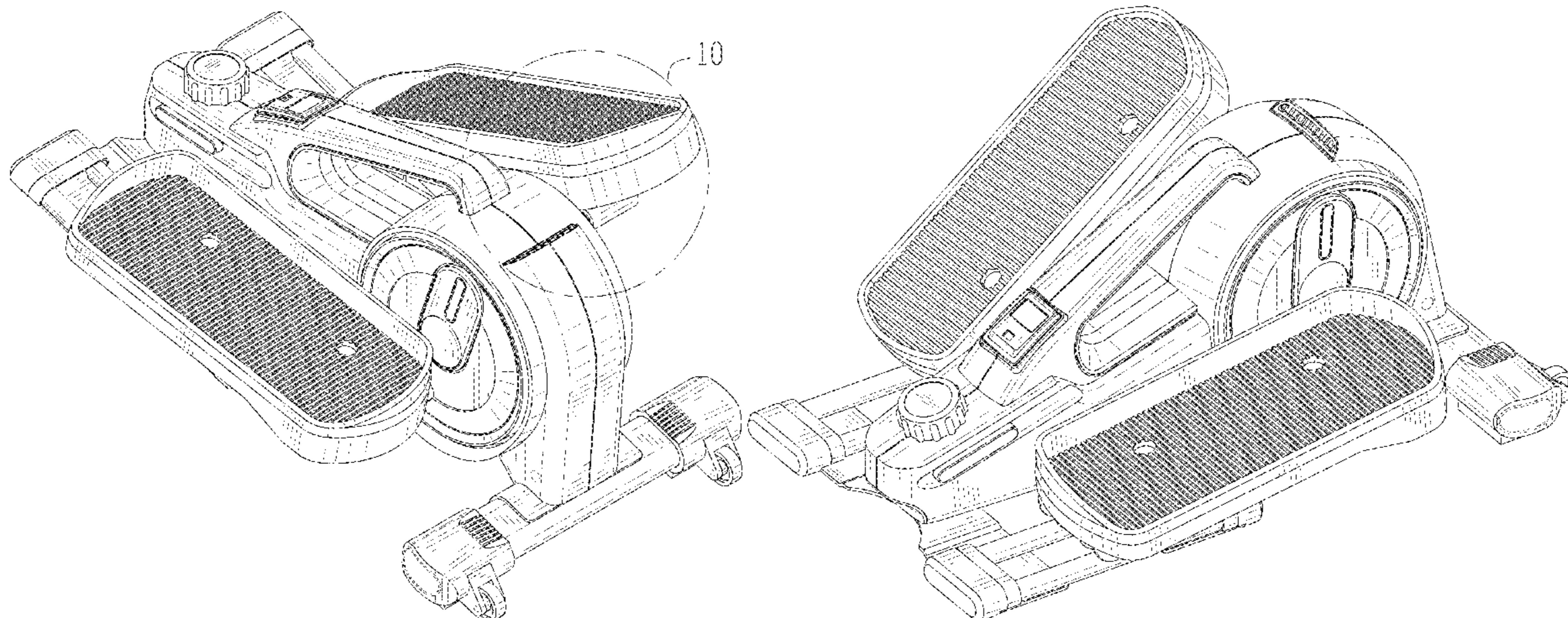
(57) **CLAIM**

The ornamental design for an elliptical machine, as shown and described.

**DESCRIPTION**

FIG. 1 is a top, front and left side perspective view of an elliptical machine showing my new design; FIG. 2 is a top, rear and left side perspective view thereof; FIG. 3 is a bottom, front and left side perspective view thereof; FIG. 4 is a front elevational view thereof; FIG. 5 is a rear elevational view thereof; FIG. 6 is a left side view thereof; FIG. 7 is a right side view thereof; FIG. 8 is a top plan view thereof; FIG. 9 is a bottom plan view thereof; FIG. 10 is an enlarged view of portion 10 in FIG. 1; FIG. 11 is an enlarged view of portion 11 in FIG. 3; and, FIG. 12 is an enlarged view of portion 12 in FIG. 5. The broken lines in the drawings depict portions of the elliptical machine which form no part of the claimed design.

**1 Claim, 12 Drawing Sheets**



(56)

**References Cited**

U.S. PATENT DOCUMENTS

2005/0227818 A1\* 10/2005 Liao ..... A63B 21/4047  
482/53  
2013/0045838 A1\* 2/2013 Ho ..... A63B 21/0552  
482/52  
2017/0120103 A1\* 5/2017 Ho ..... A63B 22/0664  
2018/0015321 A1\* 1/2018 Ho ..... A63B 21/00069  
2018/0056105 A1\* 3/2018 Ho ..... A63B 21/045

OTHER PUBLICATIONS

“Cubii JR1 Seated Under Desk Elliptical Machine” Nov. 20, 2018,  
site visited Sep. 24, 2021: <https://www.amazon.com/dp/B074F1S194/>  
(Year: 2018).\*

\* cited by examiner

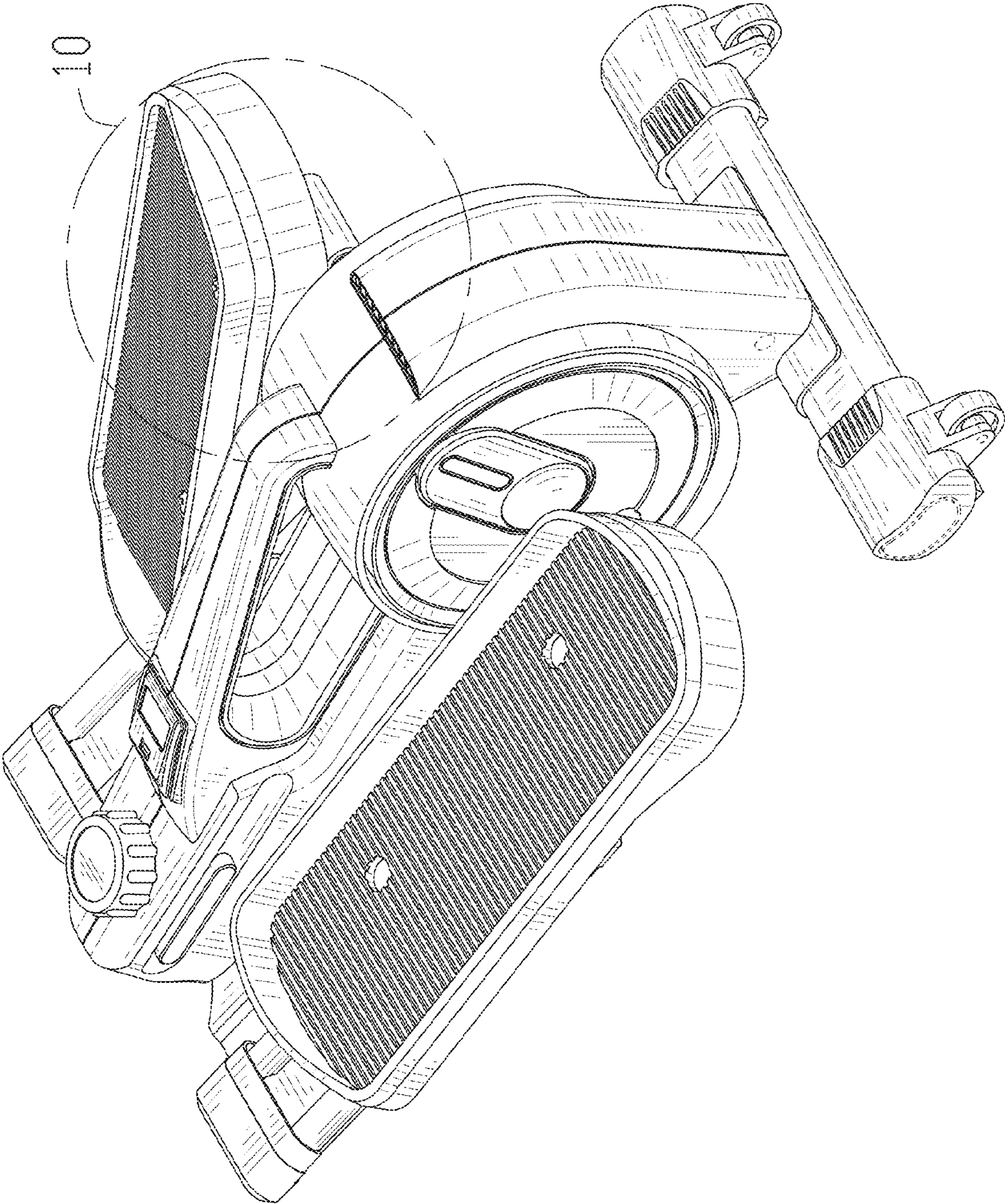


FIG. 1

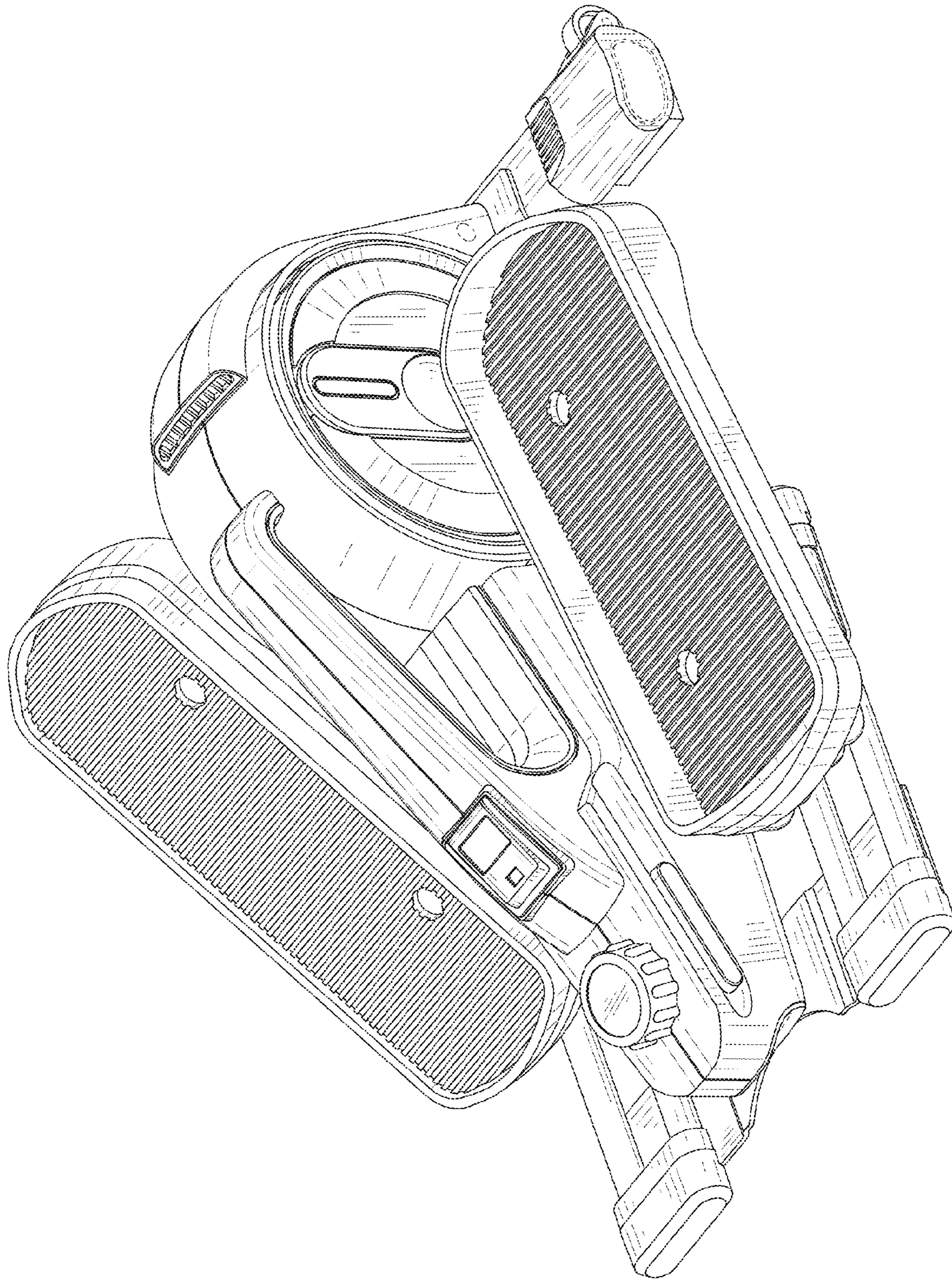


FIG. 2

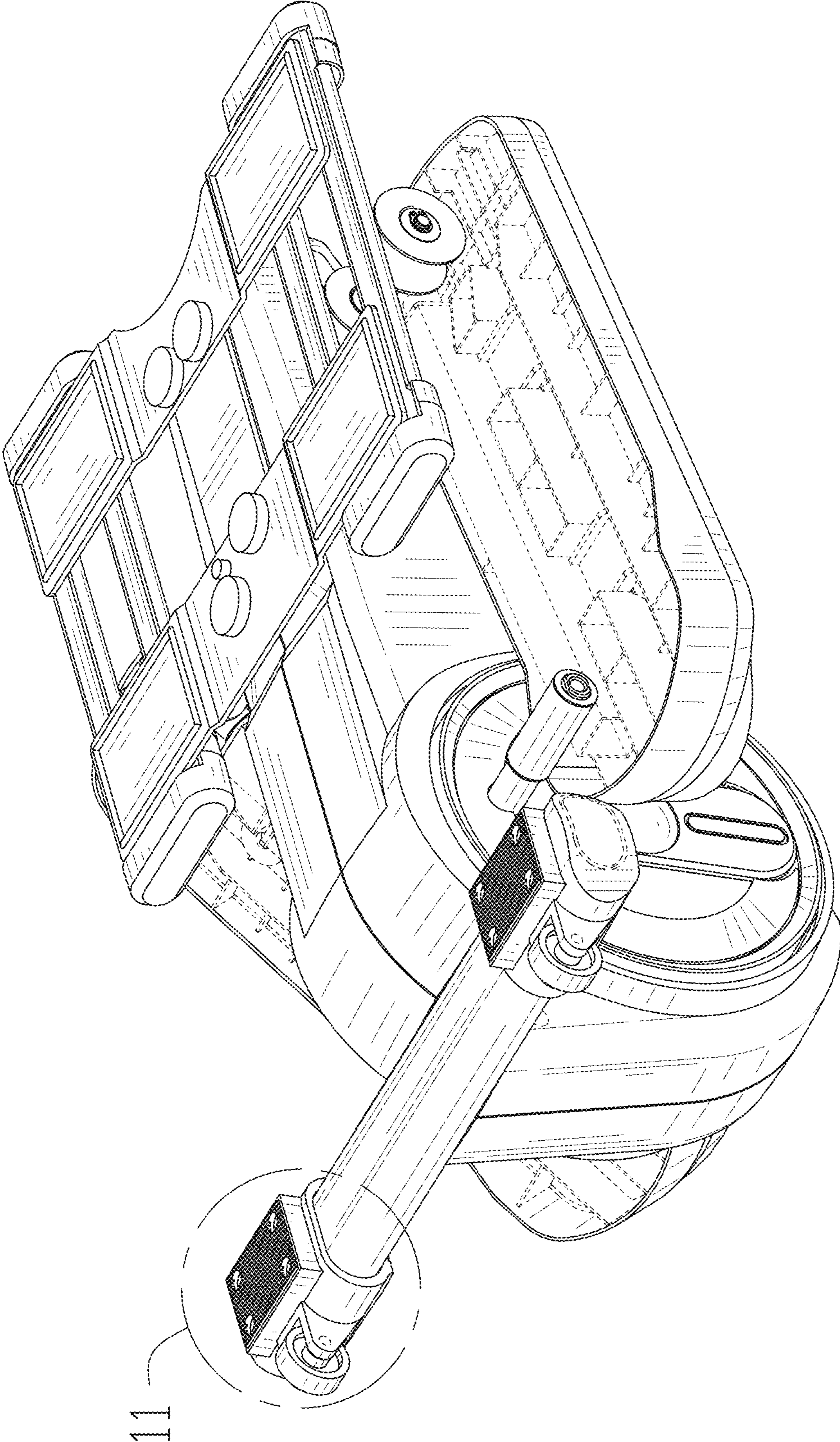


FIG. 3

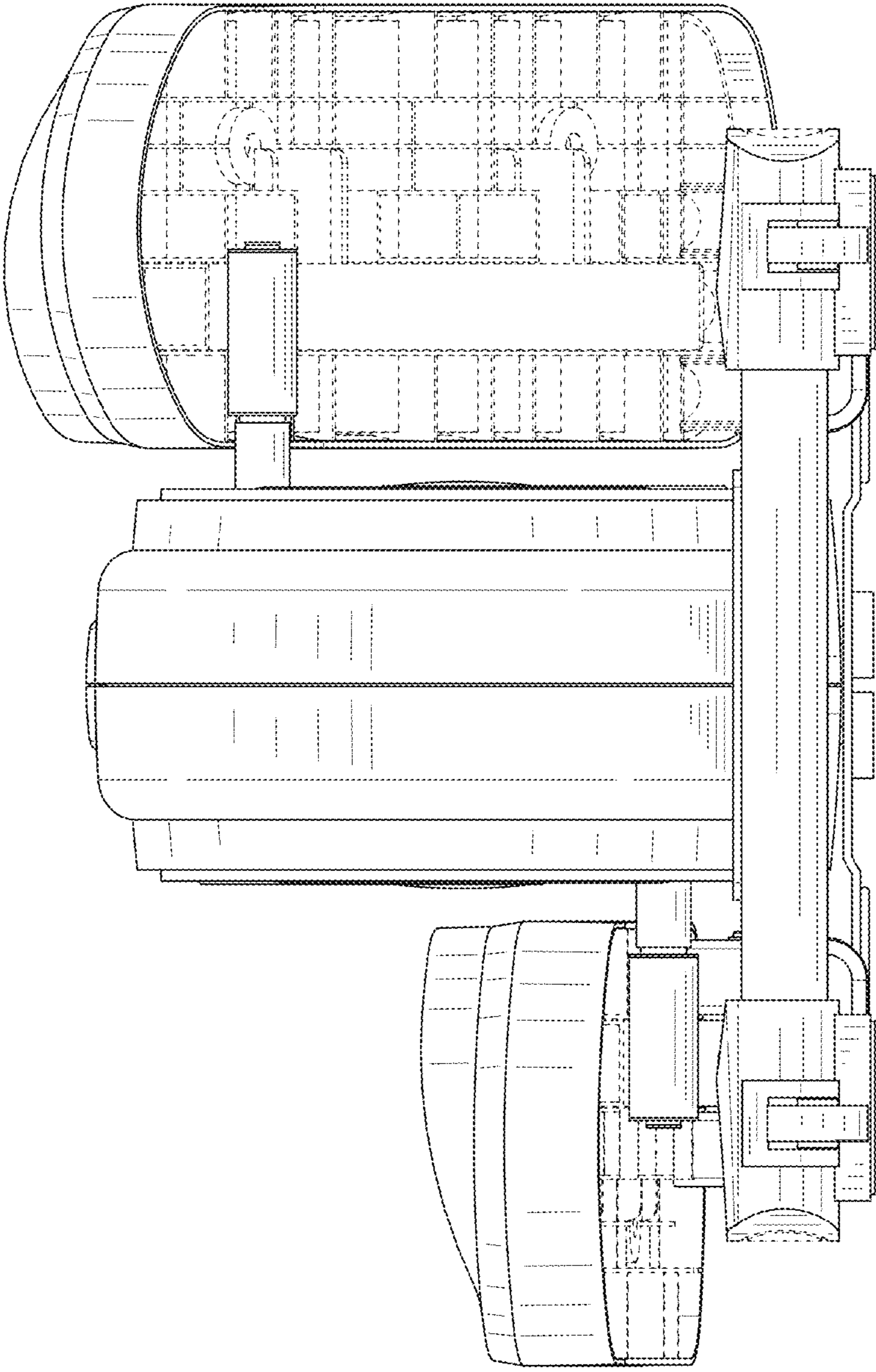


FIG. 4

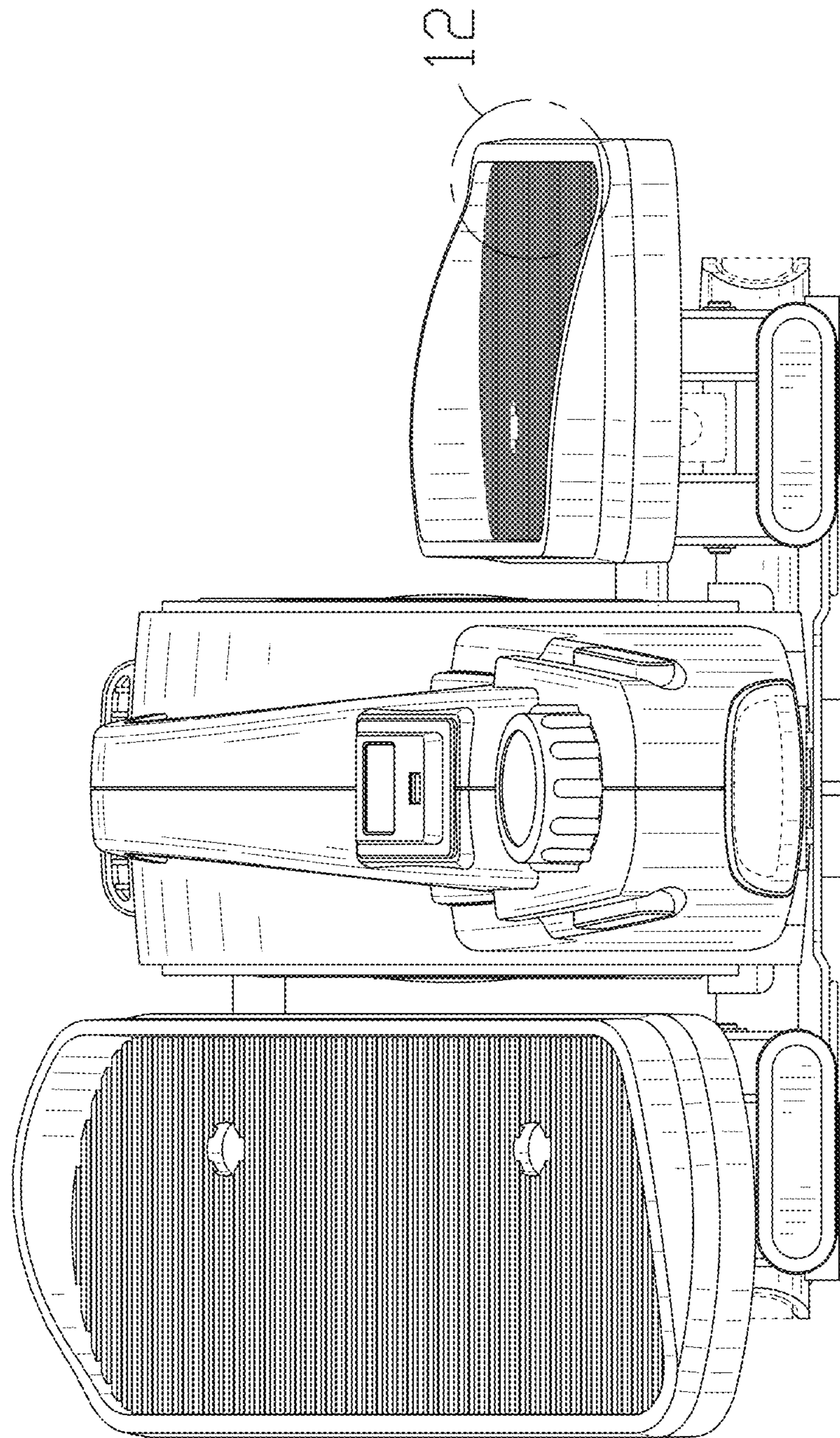


FIG. 5

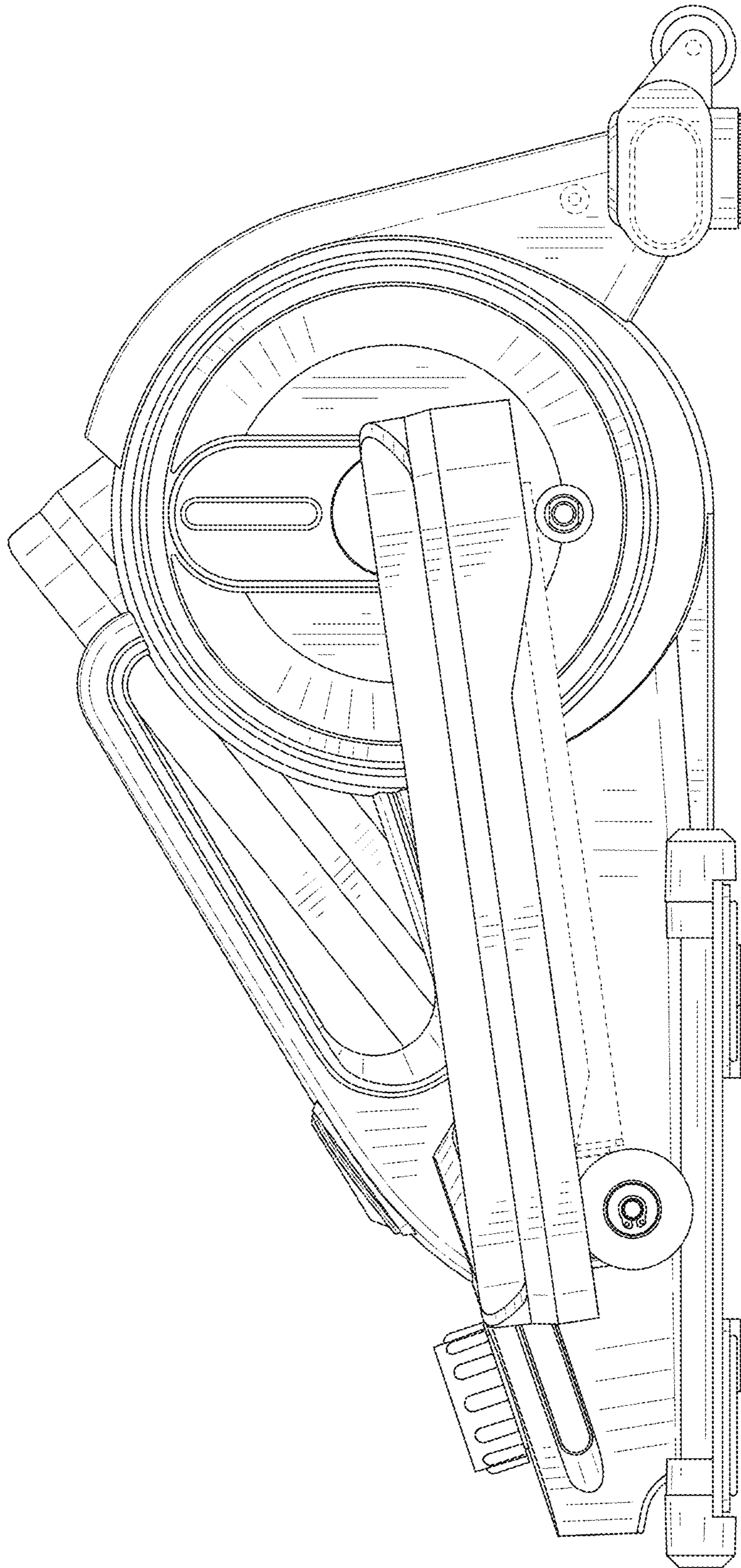


FIG. 6



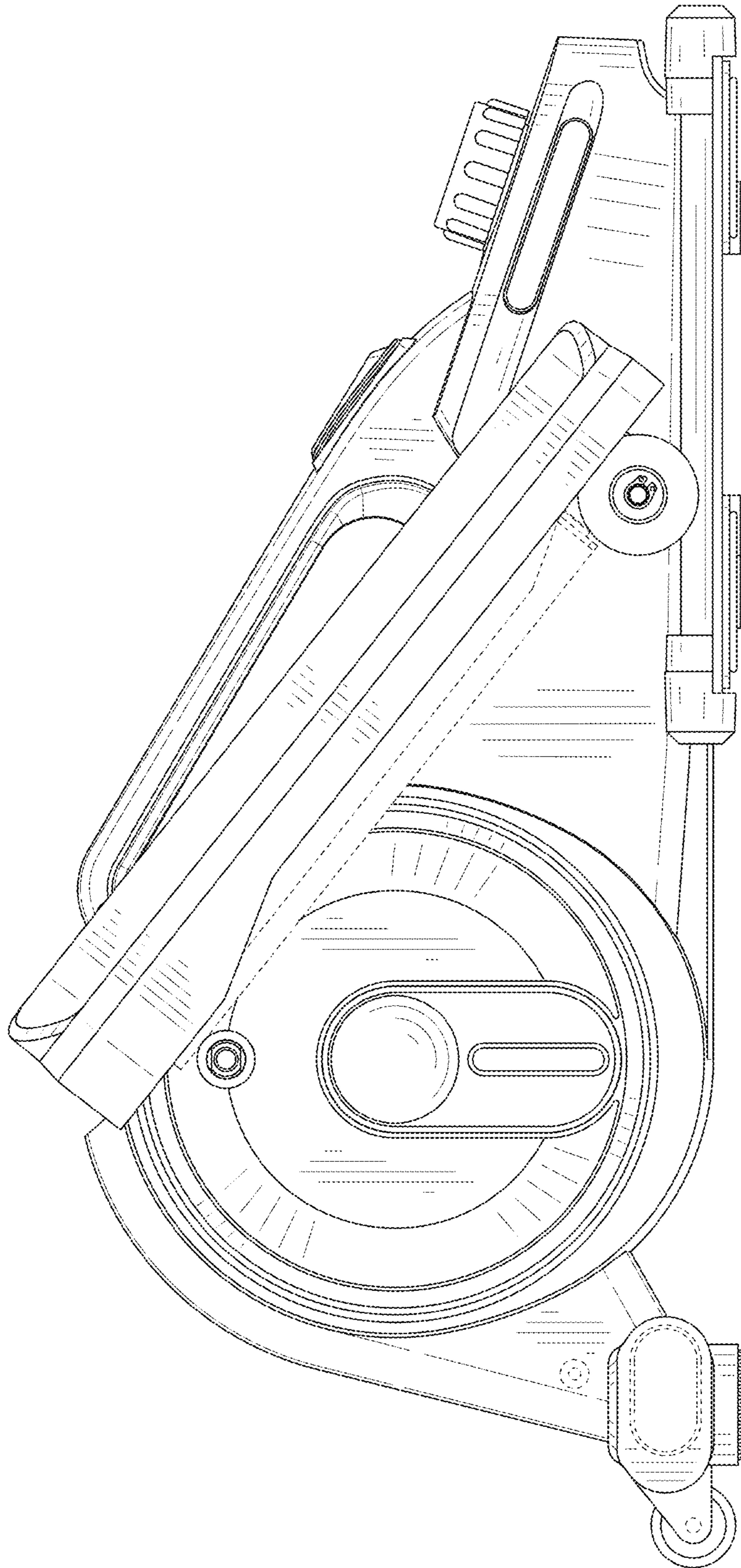


FIG. 7

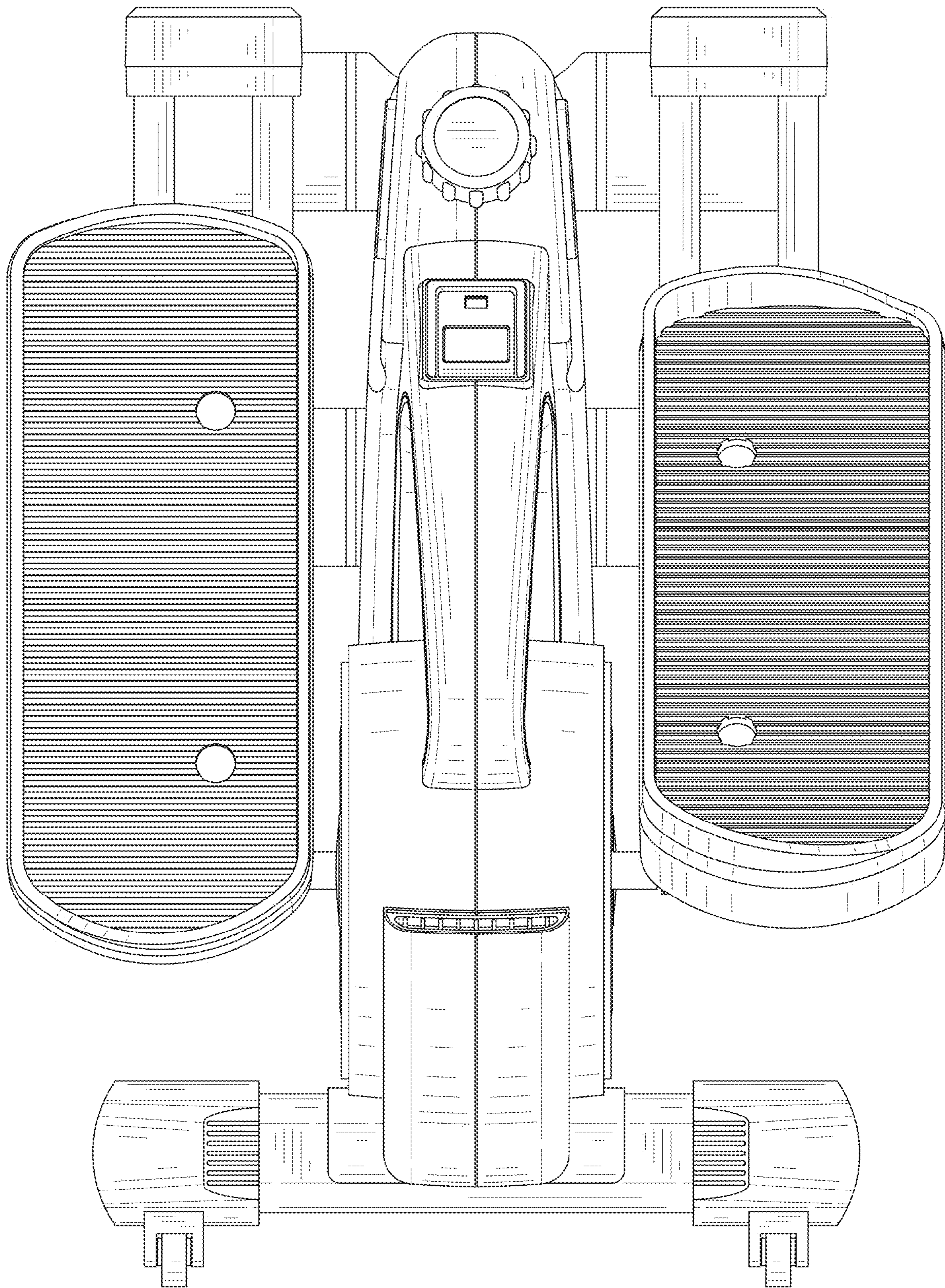


FIG. 8

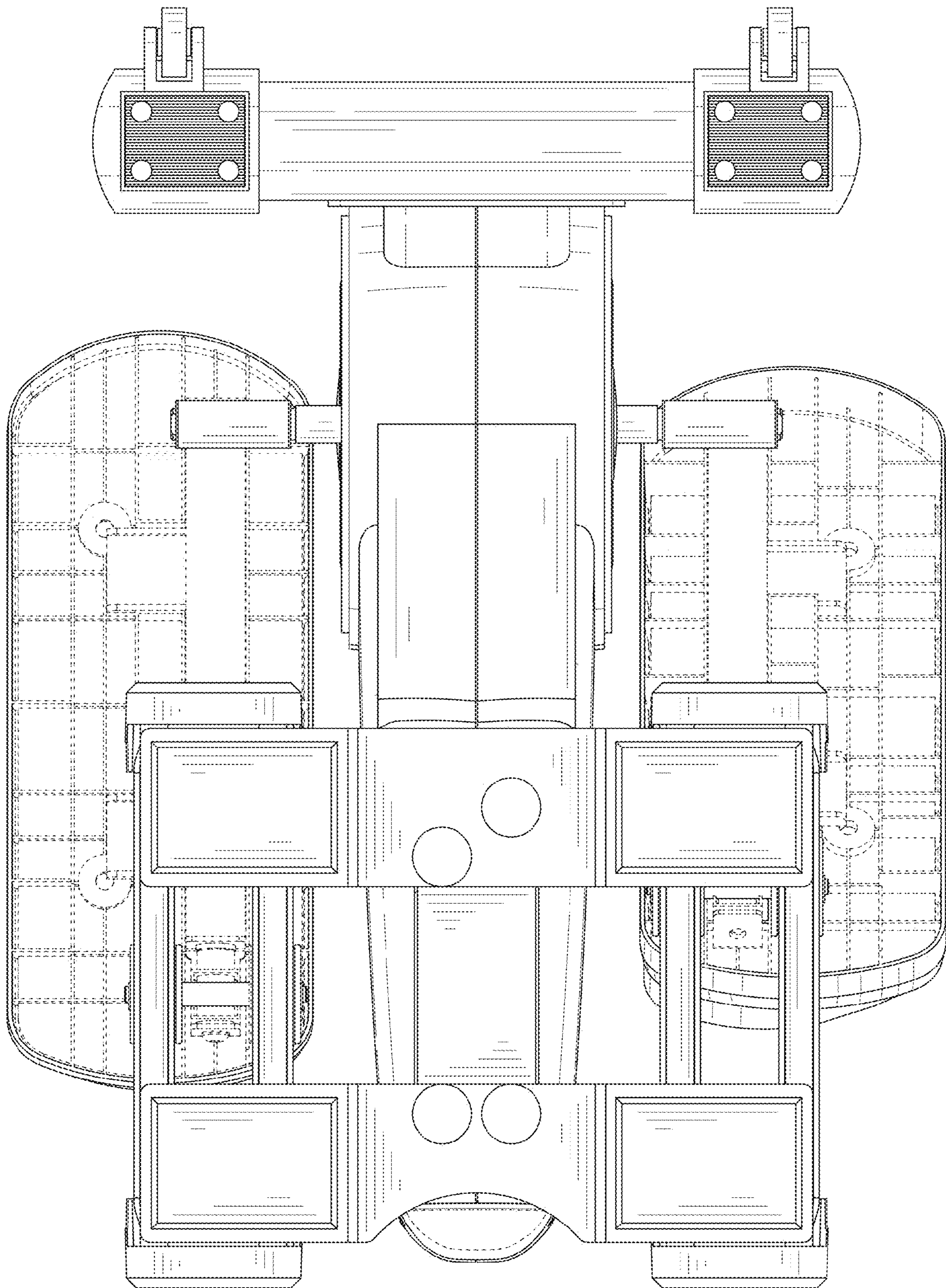


FIG. 9

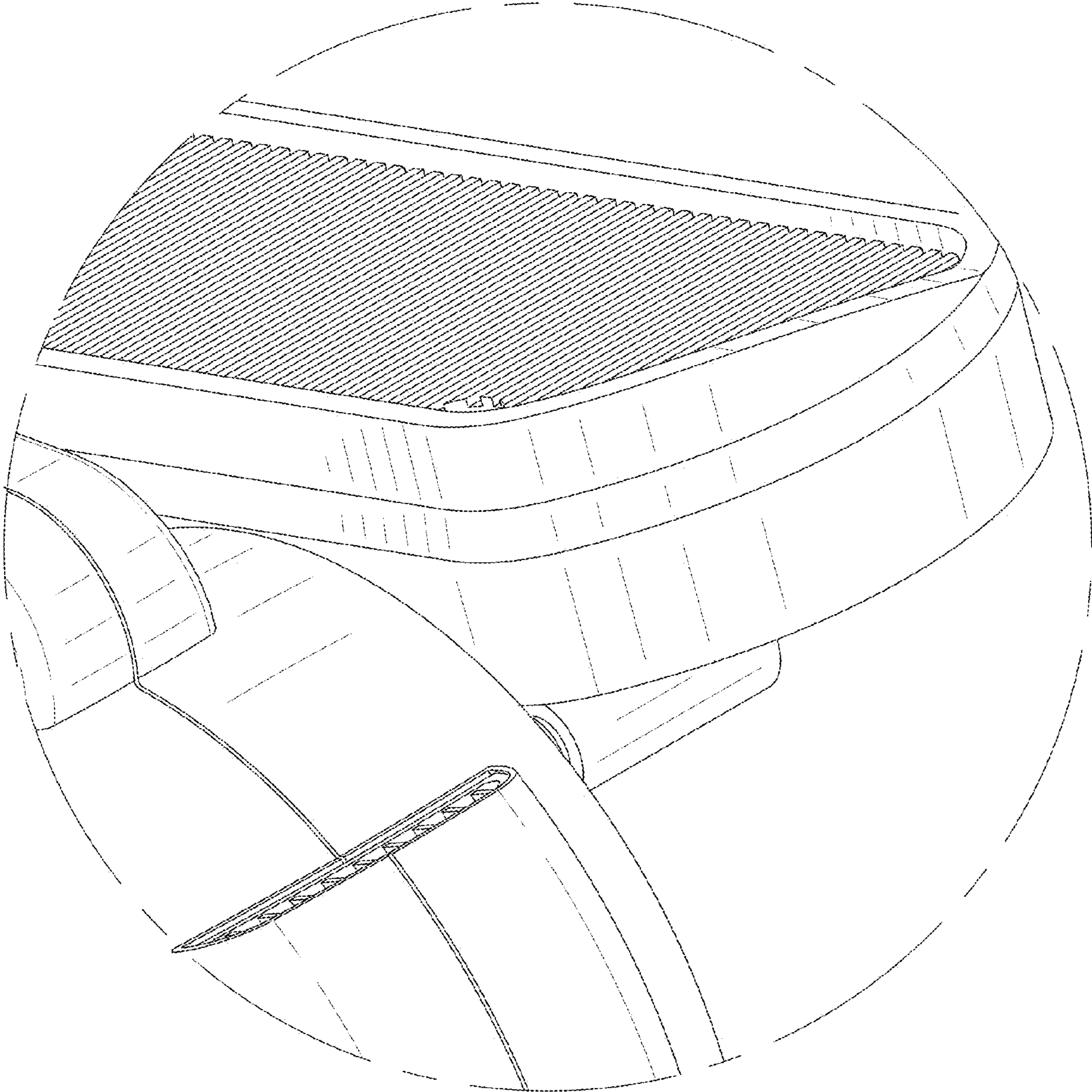


FIG. 10

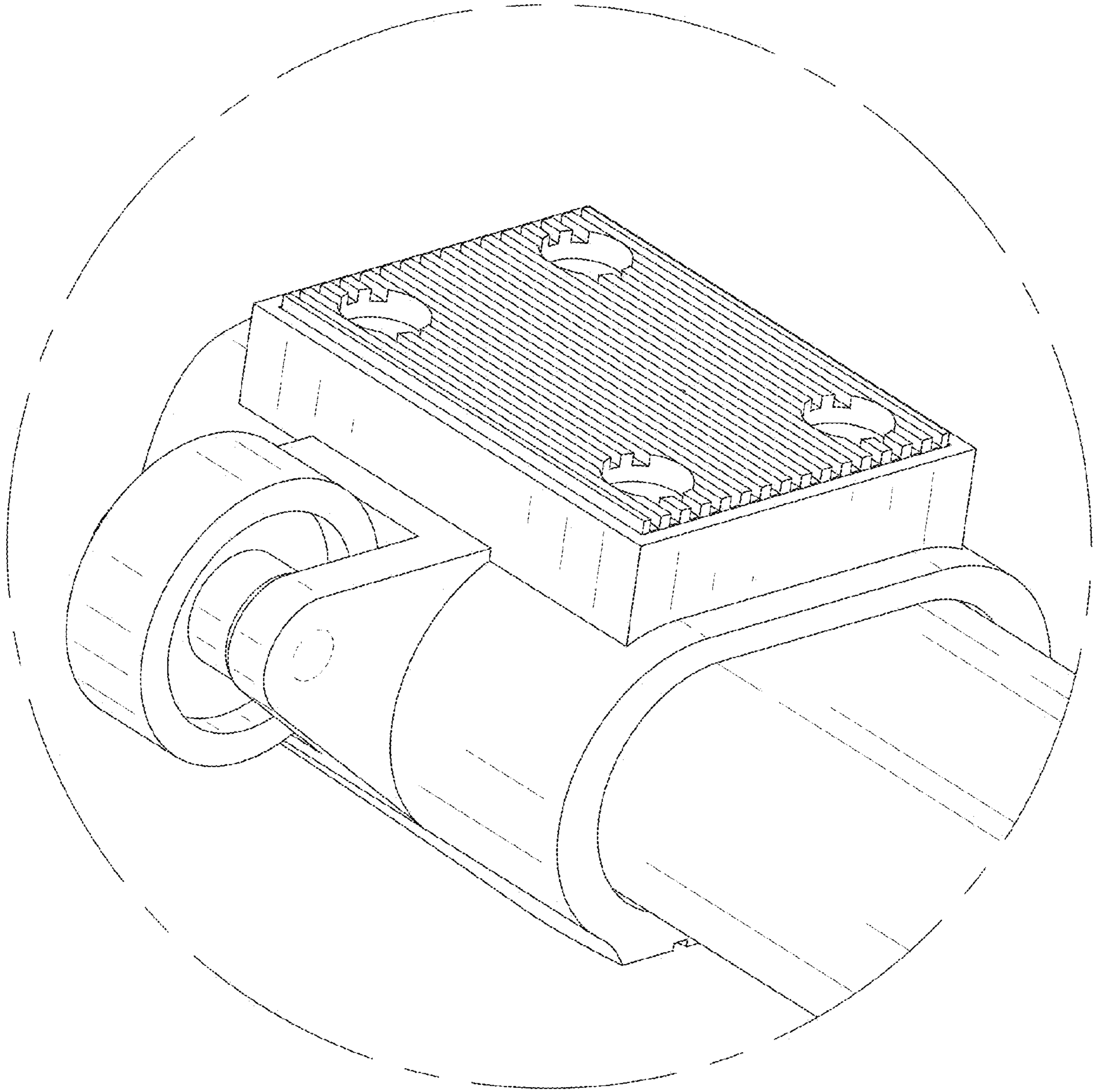


FIG. 11

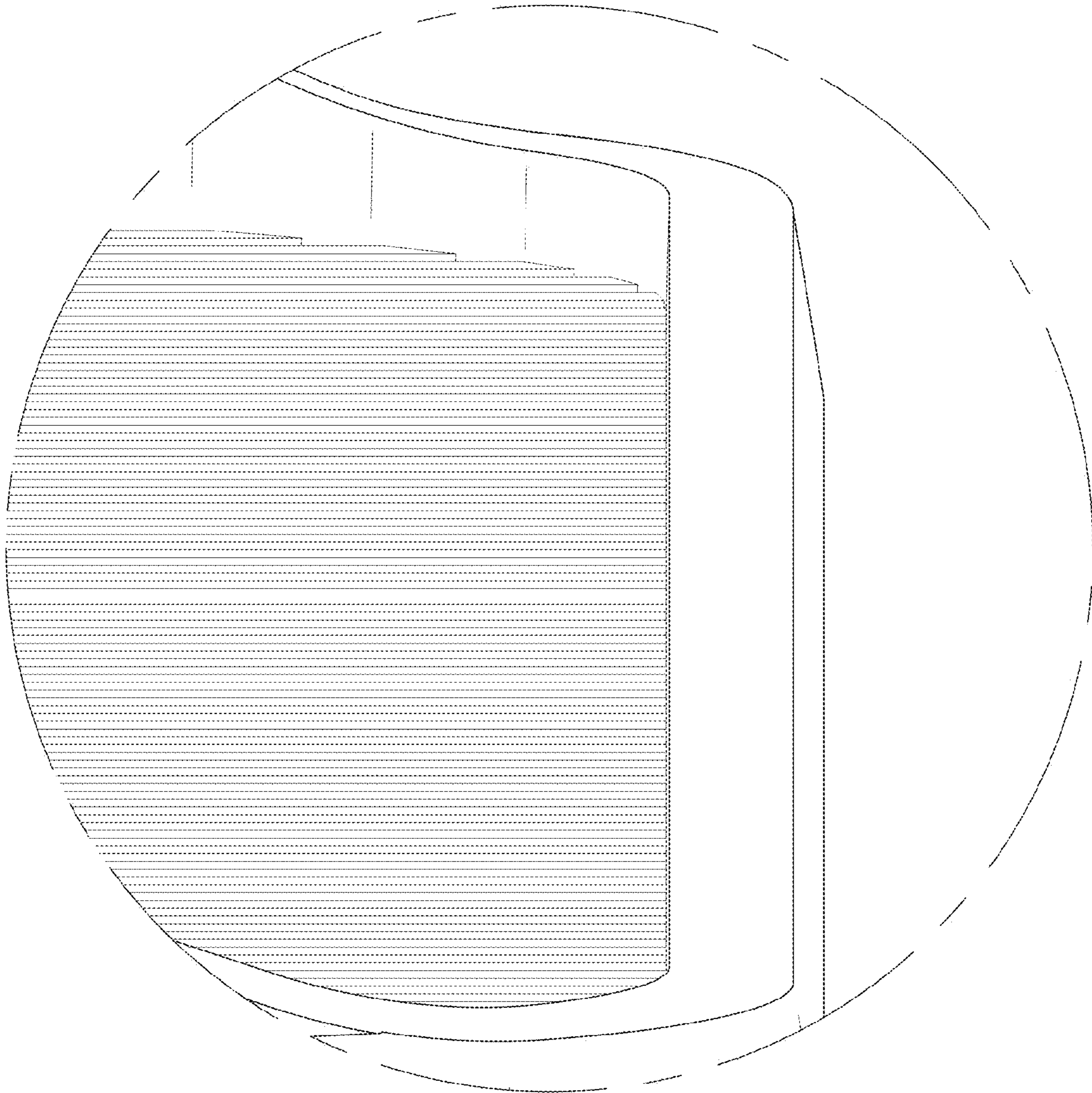


FIG. 12