



(12) **United States Design Patent** (10) **Patent No.:** **US D945,533 S**  
**Liang et al.** (45) **Date of Patent:** **\*\* Mar. 8, 2022**

(54) **BOUNCE ENTERTAINER FOR CHILDREN**

FOREIGN PATENT DOCUMENTS

(71) Applicant: **KIDS2, INC.**, Atlanta, GA (US)

AU 712729 B2 5/1999  
 AU 5291300 A 12/2000

(72) Inventors: **Kevin Liang**, Zhongshan (CN); **Kin Biu Yip**, Hong Kong (CN)

(Continued)

(73) Assignee: **KIDS2, INC.**, Atlanta, GA (US)

OTHER PUBLICATIONS

(\*\*) Term: **15 Years**

Bright Starts Bounce Baby, Published Nov. 13, 2020 [online], [retrieved on Oct. 15, 2021]. Retrieved from the Internet: [https://www.amazon.com/Bright-Starts-Bounce-Activity-Playful/dp/B08NGB57SM/ref=sr\\_1\\_1?dchild=1&keywords=B08NGB57SM&qid=1634345557&sr=8-1&th=1](https://www.amazon.com/Bright-Starts-Bounce-Activity-Playful/dp/B08NGB57SM/ref=sr_1_1?dchild=1&keywords=B08NGB57SM&qid=1634345557&sr=8-1&th=1) (Year: 2020).\*

(21) Appl. No.: **29/737,706**

(Continued)

(22) Filed: **Jun. 11, 2020**

(51) **LOC (13) Cl.** ..... **21-01**

*Primary Examiner* — Cary M Robinson

(52) **U.S. Cl.**

*Assistant Examiner* — Adam C Mager

USPC ..... **D21/412**

(74) *Attorney, Agent, or Firm* — Gardner Groff & Greenwald, PC

(58) **Field of Classification Search**

USPC ..... D12/128, 129, 130, 131, 132, 133; D21/412, 419, 420, 476; D6/331, 333, D6/334, 339, 340, 341, 342, 344, 345, D6/347, 348

(57) **CLAIM**

The ornamental design for a bounce entertainer for children, substantially as shown and described.

CPC ..... A47D 1/004; A47D 1/008; A47D 1/0081; A47D 1/0085; A47D 1/02; A47D 1/04; A47D 1/06; A47D 1/08; A47D 1/10; A47D 13/102; A47D 13/105; A47D 13/107; A47D 3/001; A47D 15/00; A47D 11/002; A63H 33/006; B62B 7/04; B62B 9/20

**DESCRIPTION**

See application file for complete search history.

FIG. 1 is a first perspective view of a bounce entertainer for children according to the design.

FIG. 2 is a second perspective view of the bounce entertainer of FIG. 1.

FIG. 3 is a front view of the bounce entertainer of FIG. 1.

FIG. 4 is a back view of the bounce entertainer of FIG. 1.

FIG. 5 is a first side view of the bounce entertainer of FIG. 1.

FIG. 6 is a second side view of the bounce entertainer of FIG. 1.

FIG. 7 is a top view of the bounce entertainer of FIG. 1; and, FIG. 8 is a bottom view of the bounce entertainer of FIG. 1.

The broken lines in the drawings illustrate portions of the bounce entertainer for children and form no part of the claimed design.

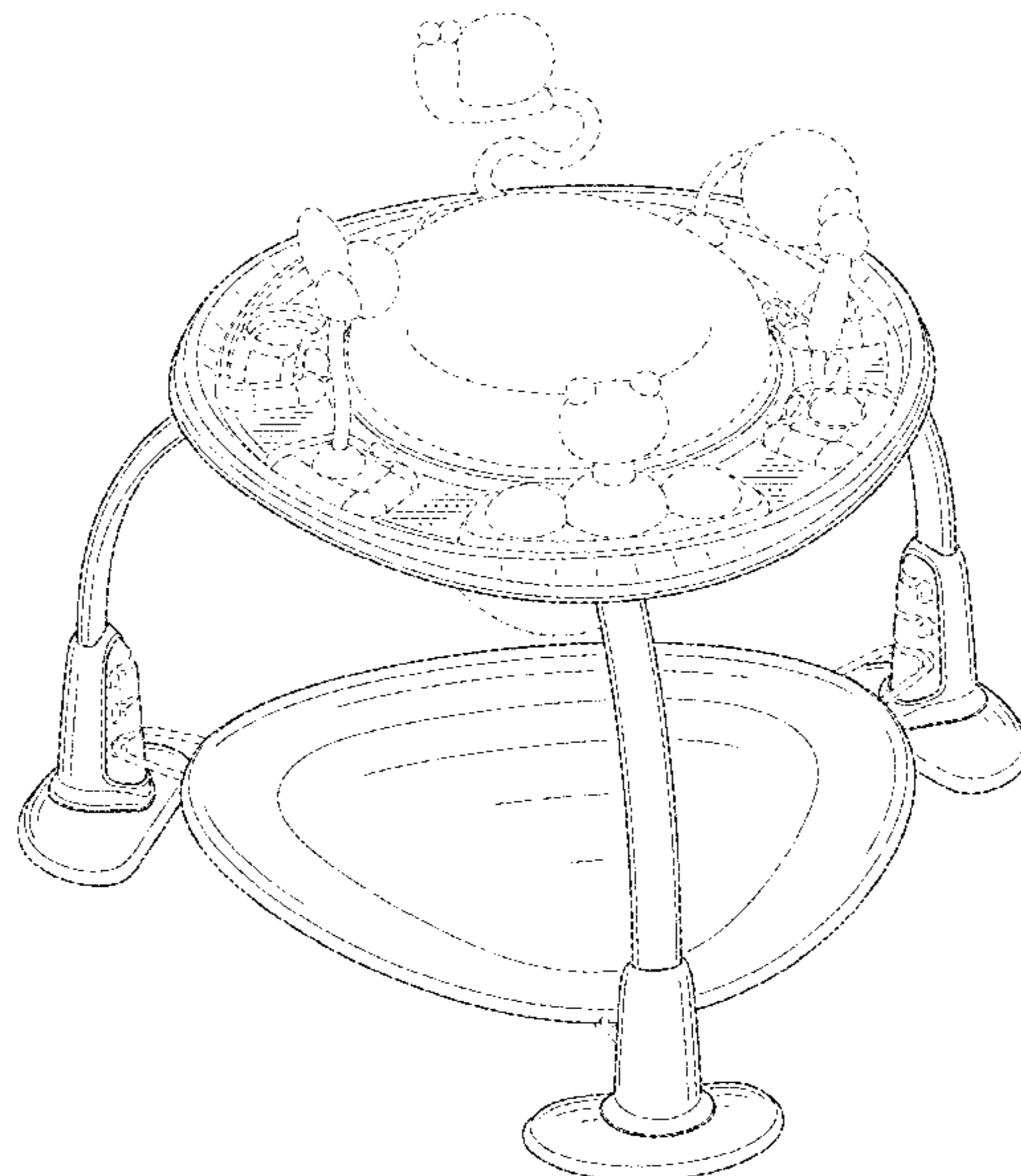
(56) **References Cited**

U.S. PATENT DOCUMENTS

2,606,593 A 8/1952 Beurskens  
 3,195,890 A 7/1965 Salls  
 3,701,529 A 10/1972 Kruthaupt  
 3,886,607 A 6/1975 Dunn  
 4,037,834 A 7/1977 Oaks

(Continued)

**1 Claim, 5 Drawing Sheets**



(56)

References Cited

U.S. PATENT DOCUMENTS

4,743,008 A 5/1988 Fermaglich et al.  
 4,836,530 A 6/1989 Stanley, Jr.  
 4,900,011 A 2/1990 Nolet  
 5,080,383 A 1/1992 Hsieh  
 5,211,607 A 5/1993 Fermaglich et al.  
 5,279,852 A 1/1994 Clough et al.  
 5,302,163 A 4/1994 Fermaglich et al.  
 5,380,023 A 1/1995 McBee  
 D355,939 S \* 2/1995 Meeker ..... D12/129  
 5,411,279 A 5/1995 Magid  
 D369,685 S \* 5/1996 Meeker ..... D21/412  
 5,518,475 A 5/1996 Garland  
 5,569,131 A 10/1996 Giulianelli  
 5,575,738 A 11/1996 Millington et al.  
 D378,554 S \* 3/1997 Meeker ..... D12/425  
 5,688,211 A 11/1997 Myers  
 5,690,383 A 11/1997 Meeker  
 5,700,201 A \* 12/1997 Bellows ..... A47D 13/107  
 297/137  
 D390,888 S \* 2/1998 Meeker ..... D21/414  
 D391,309 S \* 2/1998 Meeker ..... D21/412  
 5,728,030 A \* 3/1998 Hsieh ..... A47D 13/043  
 472/15  
 D395,467 S \* 6/1998 Bellows ..... D12/130  
 5,788,606 A 8/1998 Rich  
 5,813,681 A 9/1998 Saint et al.  
 5,921,567 A 7/1999 Brown  
 5,934,747 A 8/1999 Garland  
 5,984,837 A 11/1999 Weaver et al.  
 6,000,750 A 12/1999 Rossman et al.  
 6,053,845 A 4/2000 Publicover et al.  
 D429,116 S 8/2000 Mount  
 6,110,074 A 8/2000 Tacquet  
 6,174,266 B1 1/2001 Merrill  
 6,299,247 B1 \* 10/2001 Meeker ..... A47D 13/102  
 297/137  
 6,375,599 B1 4/2002 Brown  
 6,386,563 B1 \* 5/2002 Chen ..... A47D 13/043  
 280/87.051  
 6,560,795 B2 5/2003 Hsia  
 6,637,814 B1 10/2003 Bellows et al.  
 6,675,413 B2 1/2004 Hsia  
 6,676,475 B1 1/2004 Henderson et al.  
 6,682,139 B2 1/2004 Bellows et al.  
 6,715,826 B2 4/2004 Bellows et al.  
 6,817,864 B1 \* 11/2004 Martinez ..... A47D 13/08  
 434/258  
 7,044,892 B2 5/2006 Stern et al.  
 7,244,165 B2 7/2007 Gubitosi et al.  
 7,287,768 B2 \* 10/2007 Myers ..... A47D 13/107  
 280/87.051  
 7,297,089 B2 11/2007 Chen  
 7,523,984 B2 \* 4/2009 Steininger ..... A47D 3/001  
 297/16.1  
 7,614,979 B2 11/2009 Thomson et al.  
 8,944,514 B2 \* 2/2015 Tadin ..... A47D 3/001  
 297/440.11  
 9,185,994 B2 \* 11/2015 Burns ..... A47D 15/00  
 9,204,733 B2 12/2015 Welch et al.

9,701,331 B2 \* 7/2017 Burns ..... B62B 7/04  
 10,342,361 B2 \* 7/2019 Cotirla ..... A47D 1/008  
 D868,900 S \* 12/2019 Healy ..... A63H 33/006  
 D21/419  
 10,736,437 B2 \* 8/2020 Goh ..... A47D 1/02  
 10,959,539 B2 \* 3/2021 Renno ..... A47D 13/043  
 D921,763 S \* 6/2021 Aslan ..... D21/412  
 2002/0027382 A1 \* 3/2002 Bellows ..... A63H 33/00  
 297/135  
 2002/0043825 A1 \* 4/2002 Bellows ..... A47D 3/001  
 297/137  
 2003/0071495 A1 4/2003 Bellows et al.  
 2003/0071496 A1 4/2003 Bellows et al.  
 2004/0075231 A1 \* 4/2004 Hou ..... A47D 13/043  
 280/87.051  
 2004/0253903 A1 \* 12/2004 Fair ..... A63H 33/006  
 446/227  
 2005/0140185 A1 \* 6/2005 McClintock ..... A47D 3/005  
 297/136  
 2005/0264088 A1 \* 12/2005 Tadin ..... A47D 3/001  
 297/488  
 2007/0236056 A1 \* 10/2007 Steininger ..... A47D 3/001  
 297/136  
 2012/0261957 A1 \* 10/2012 Tadin ..... A47D 3/001  
 297/250.1  
 2012/0326409 A1 \* 12/2012 Corso ..... A47D 13/043  
 280/87.051  
 2013/0072081 A1 \* 3/2013 Goszewski ..... A47D 13/107  
 446/71  
 2017/0232355 A1 \* 8/2017 Healy ..... A47D 3/001  
 446/227  
 2018/0035824 A1 \* 2/2018 Goh ..... A47D 13/107  
 2018/0317668 A1 \* 11/2018 Cotirla ..... A47D 15/00  
 2020/0121095 A1 \* 4/2020 Cheng ..... A47D 3/001  
 2020/0397146 A1 \* 12/2020 Lodato ..... A47D 1/08

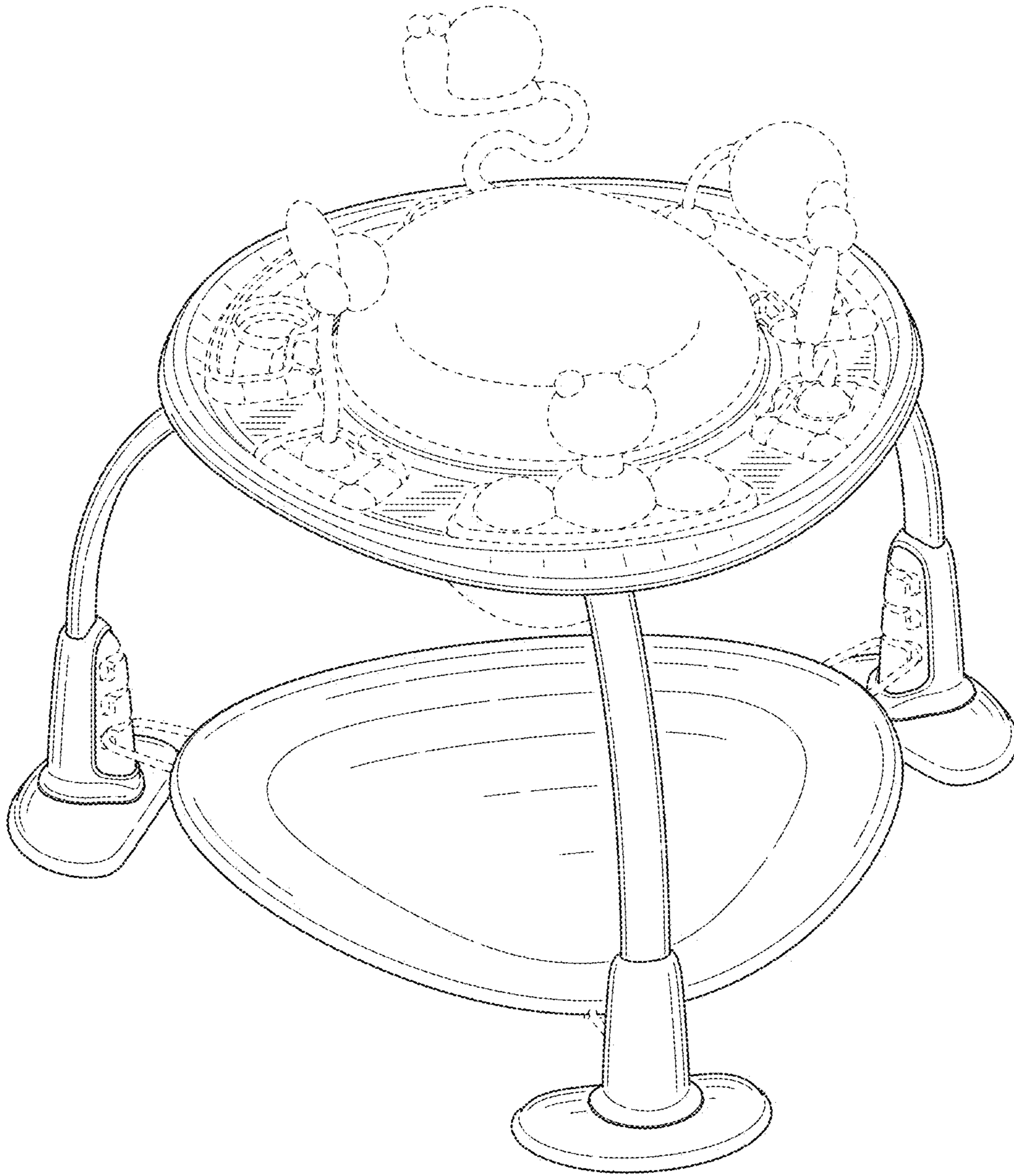
FOREIGN PATENT DOCUMENTS

CA 2298276 A1 \* 4/1995 ..... A47D 13/102  
 CA 2253784 A1 5/1997  
 CN 1981674 A 6/2007  
 CN 103826503 A 5/2014  
 CN 108786124 A \* 11/2018 ..... A47D 11/002  
 DE 19681629 C2 3/2001  
 EP 0275497 A1 7/1988  
 GB 2259858 A 3/1993  
 GB 2321402 A 3/2000  
 GB 2336306 A 3/2000  
 GB 2508549 A 6/2014  
 GB 2513469 A 10/2014  
 WO 1997017118 A1 5/1997  
 WO 2000071220 A2 11/2000  
 WO WO-2005117663 A1 \* 12/2005 ..... A63B 5/11  
 WO 2013039975 A2 3/2013  
 WO WO-2016125026 A1 \* 8/2016 ..... A47D 1/02

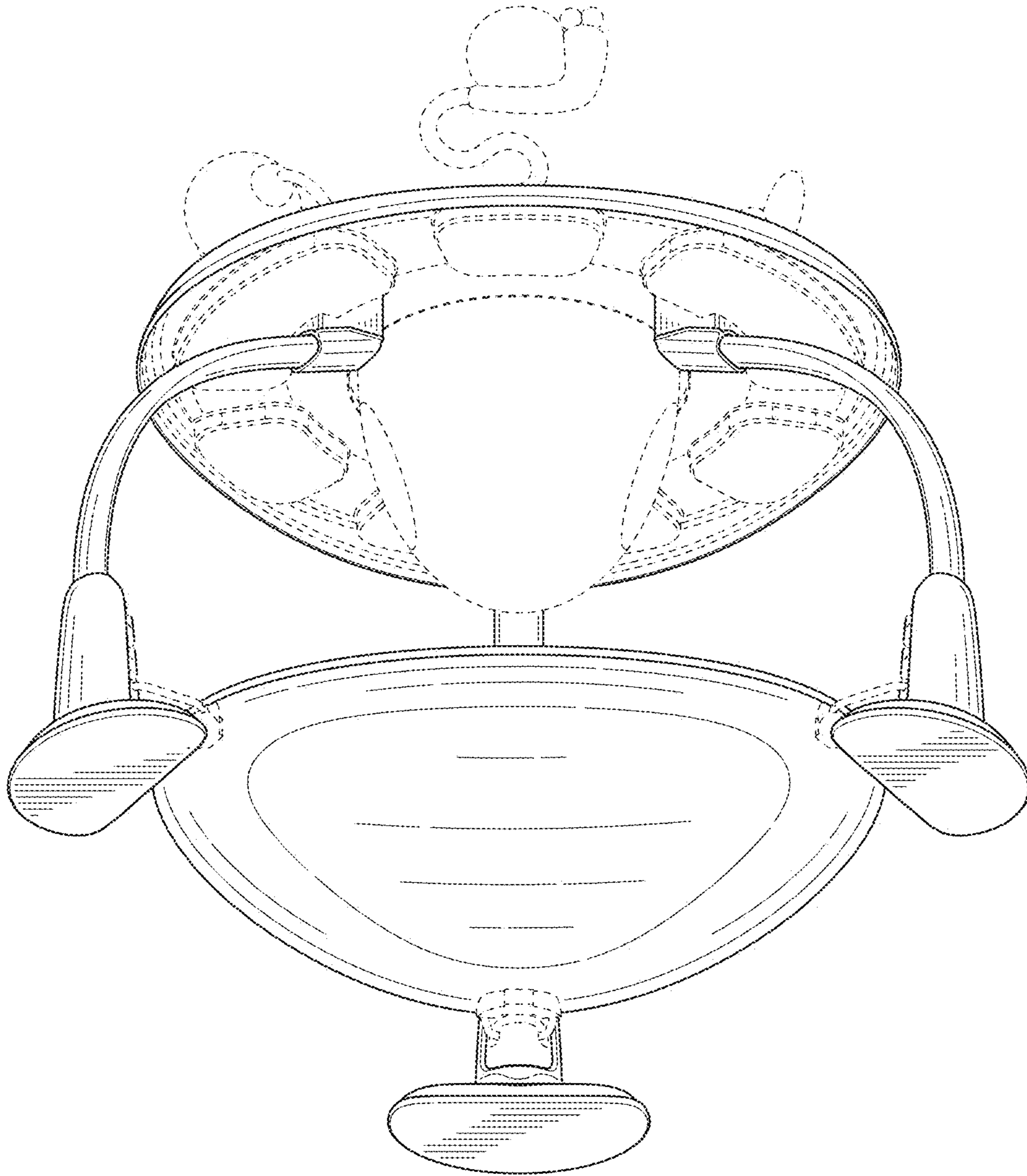
OTHER PUBLICATIONS

PCT Search Report for Application PCT/US2005/018219, filed May 25, 2005.

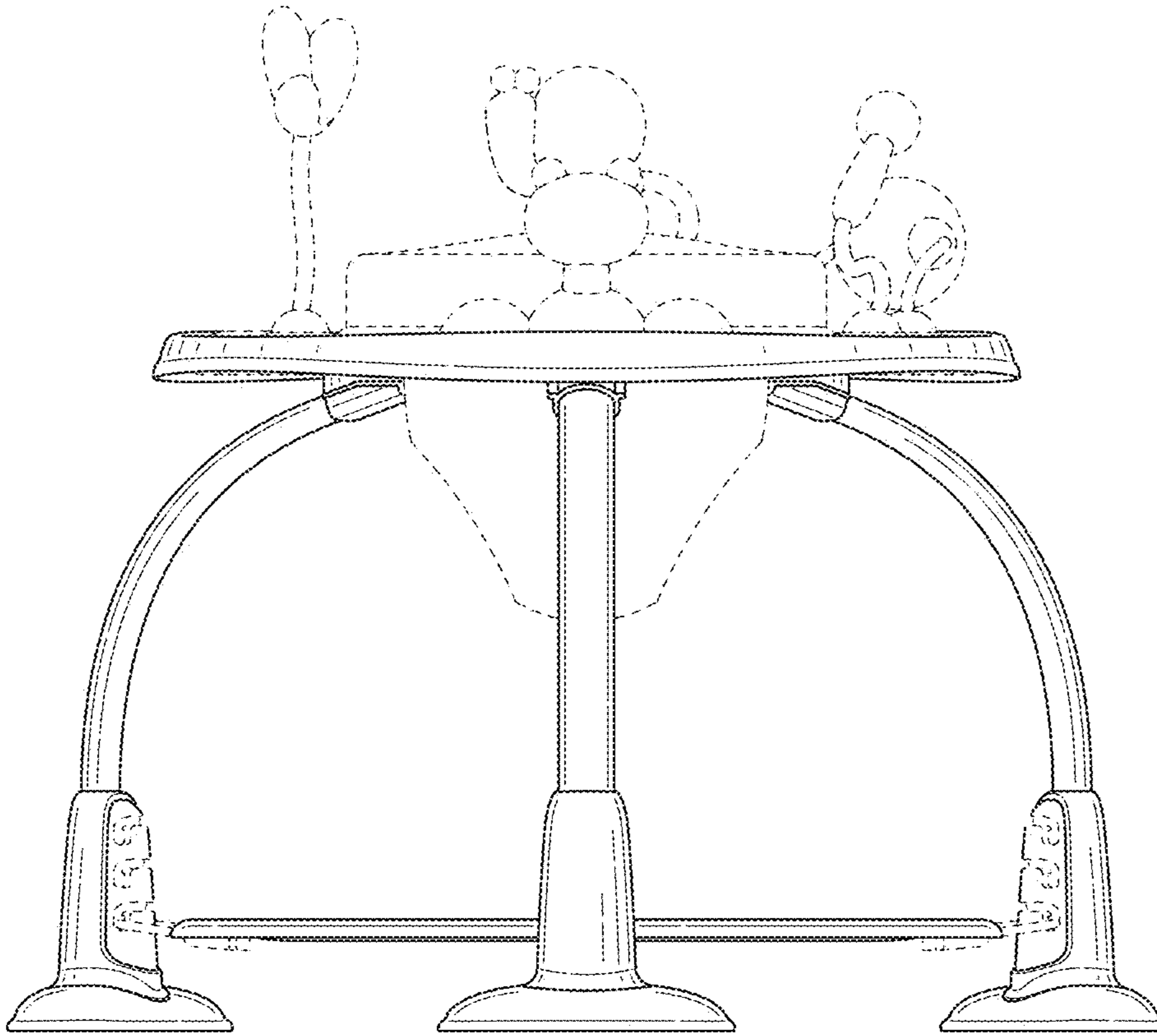
\* cited by examiner



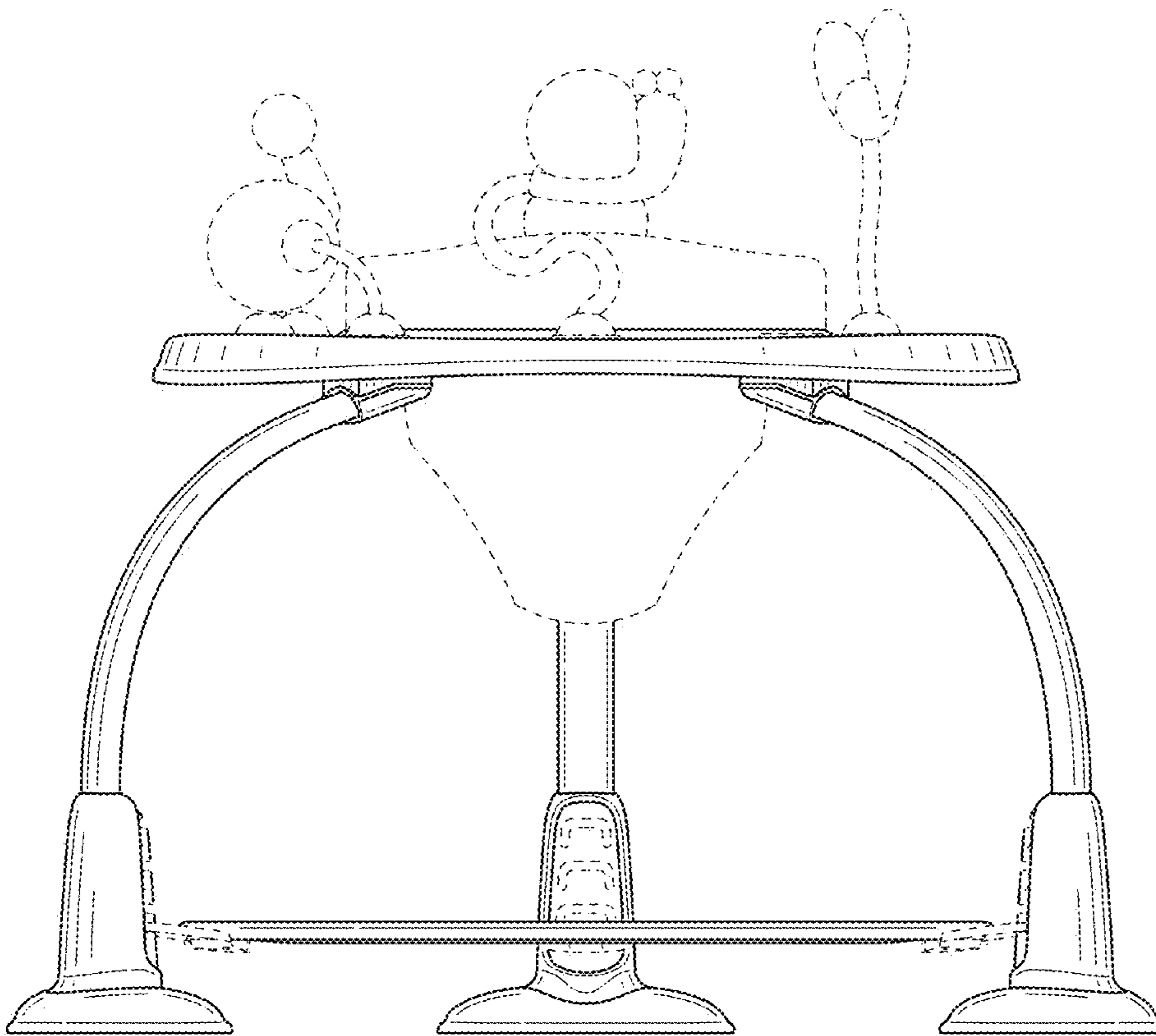
*FIG. 1*



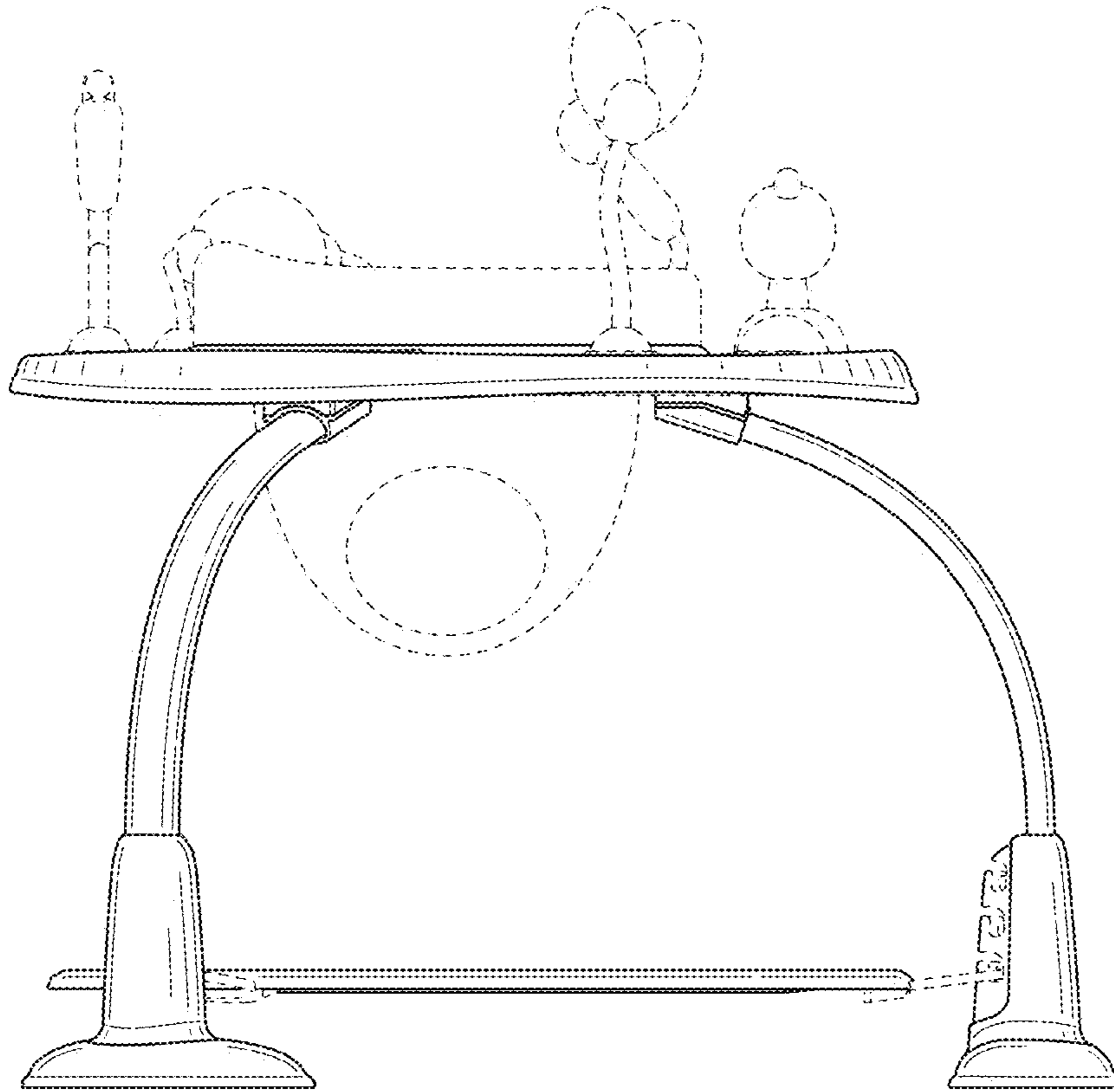
*FIG. 2*



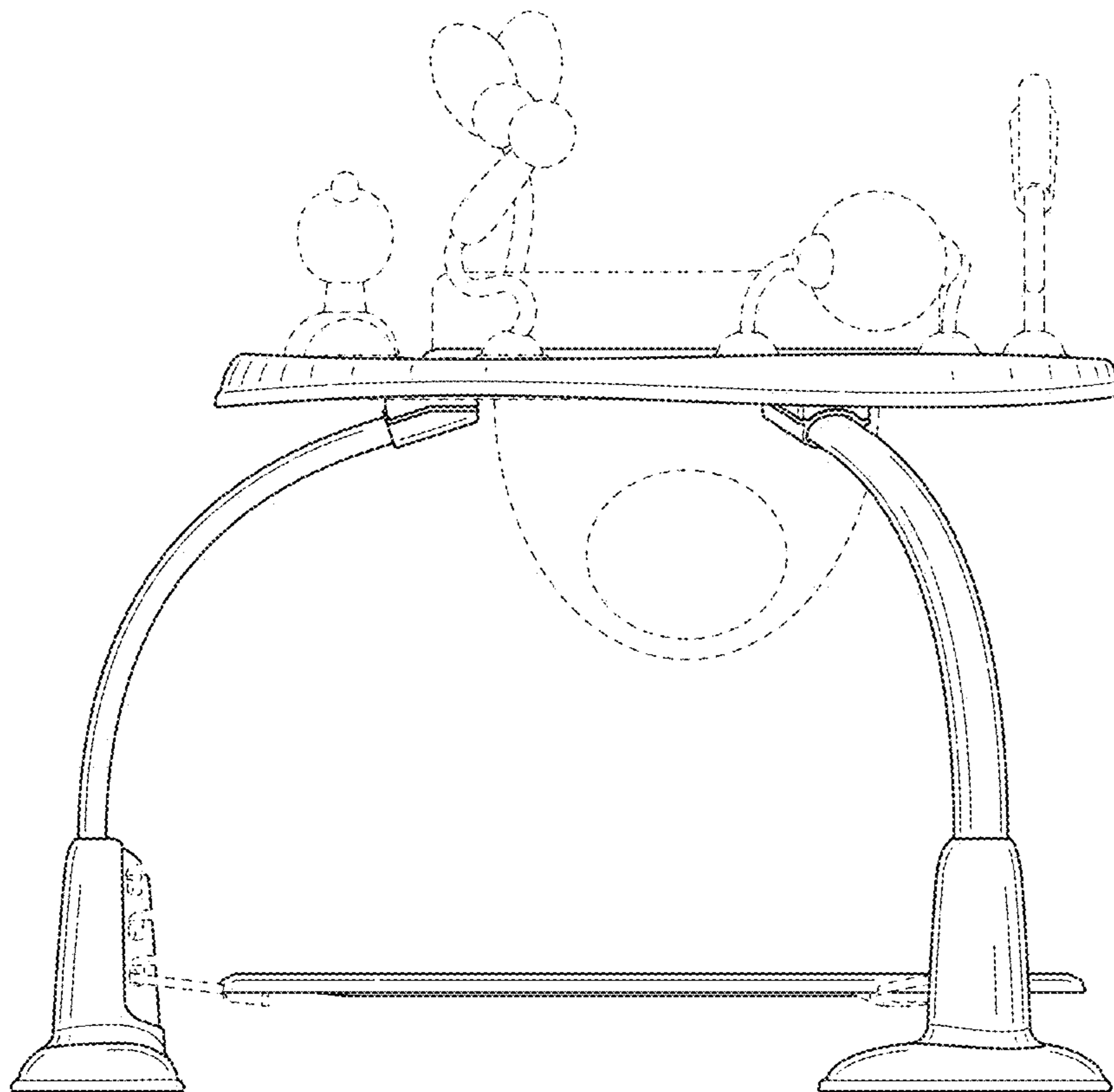
*FIG. 3*



*FIG. 4*

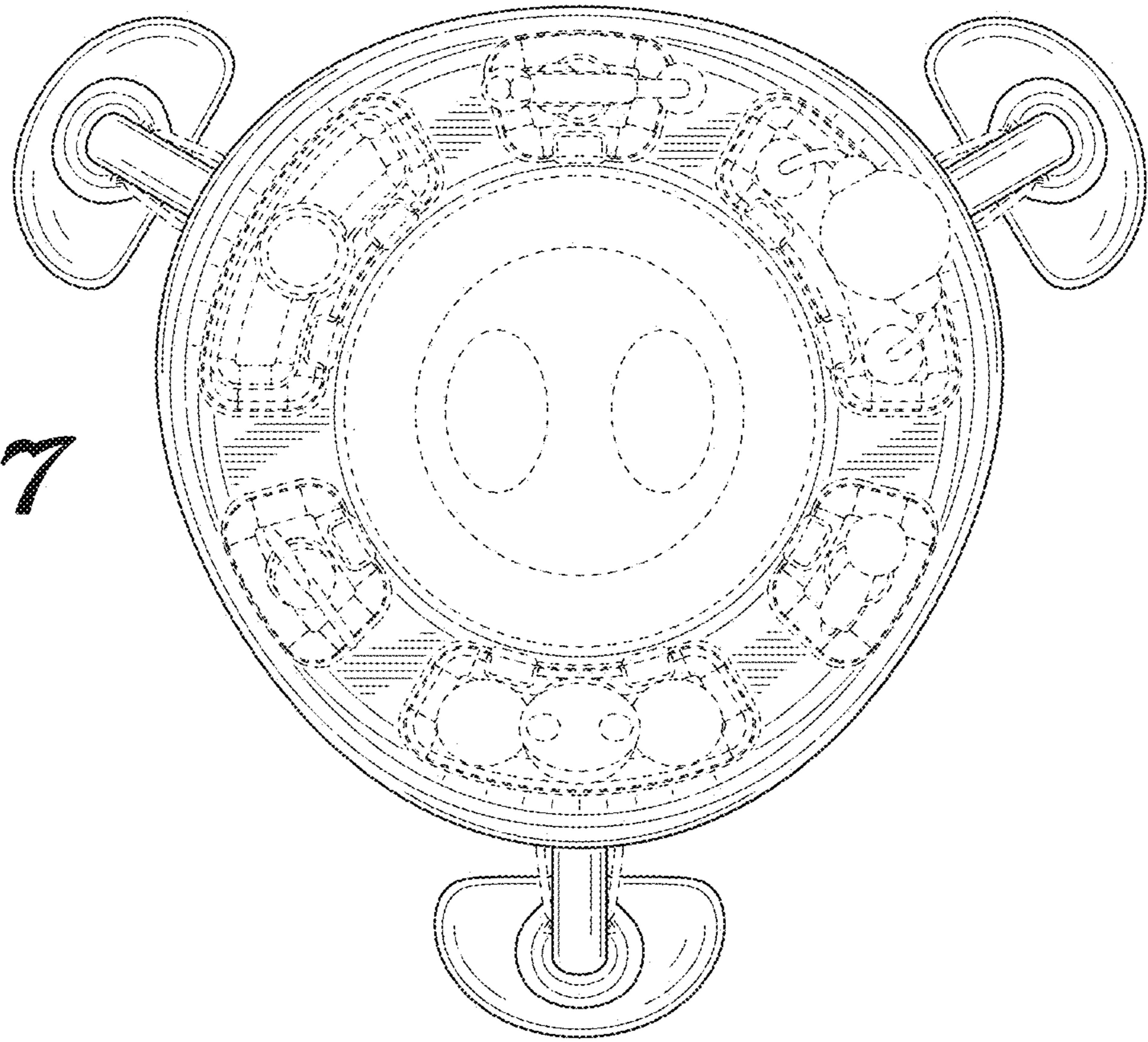


*FIG. 5*



*FIG. 6*

*FIG. 7*



*FIG. 8*

