



US00D945531S

(12) **United States Design Patent**  
**Wen**

(10) **Patent No.:** **US D945,531 S**  
(45) **Date of Patent:** **\*\* Mar. 8, 2022**

(54) **GAME CONTROLLER**

(71) Applicant: **Huanyun Wen**, Guangdong (CN)

(72) Inventor: **Huanyun Wen**, Guangdong (CN)

(\*\*) Term: **15 Years**

(21) Appl. No.: **29/739,372**

(22) Filed: **Jun. 24, 2020**

(51) **LOC (13) Cl.** ..... **21-01**

(52) **U.S. Cl.**  
USPC ..... **D21/333**

(58) **Field of Classification Search**

USPC ..... D12/126, 175, 176, 177; D14/399, 400,  
D14/401, 402, 414, 413, 416, 412, 419,  
D14/563, 566; D21/320, 324-333  
CPC ..... A63F 13/02; A63F 13/06; A63F 13/24;  
A63F 13/98; A63F 13/235; A63F 13/245;  
A63F 13/803; B60R 21/05; B60R 21/203;  
B62D 1/04

See application file for complete search history.

(56) **References Cited**

**U.S. PATENT DOCUMENTS**

D410,970	S	*	6/1999	Larian	.....	D21/329
D522,516	S	*	6/2006	Hussaini	.....	D14/414
D615,131	S	*	5/2010	Biheller	.....	D21/333
D766,147	S	*	9/2016	Ritchie	.....	D12/176
D795,963	S	*	8/2017	Sakai	.....	D21/333
D899,328	S	*	10/2020	Roo-Clefas	.....	D12/176
10,868,436	B1	*	12/2020	Chen	.....	A63F 13/24
D912,155	S	*	3/2021	Yang	.....	D21/333
D933,554	S	*	10/2021	Jenkins	.....	D12/176
D935,963	S	*	11/2021	Hamada	.....	D12/176
2001/0049302	A1	*	12/2001	Hagiwara	.....	A63F 13/02
2007/0265078	A1	*	11/2007	Yu	.....	A63F 13/06
2007/0265079	A1	*	11/2007	Yu	.....	A63F 13/803
2011/0281649	A1	*	11/2011	Jaouen	.....	A63F 13/245

**FOREIGN PATENT DOCUMENTS**

CN 306963717 \* 11/2021

**OTHER PUBLICATIONS**

Numskull Nintendo Switch Joy-Con Steering Wheel Table Attachment, first available Oct. 7, 2021, amazon.com [online], site visited Dec. 9, 2021], Available from internet URL: <https://amzn.to/31Qb9NC> (Year: 2021).\*

\* cited by examiner

*Primary Examiner* — Janice Patyk

*Assistant Examiner* — Salamah Jordan

(74) *Attorney, Agent, or Firm* — Novoclaims Patent Services LLC; Mei Lin Wong

(57) **CLAIM**

The ornamental design for a game controller, as shown and described.

**DESCRIPTION**

FIG. 1 is a perspective view of a game controller showing my new design;

FIG. 2 is a rear perspective view thereof;

FIG. 3 is a front view thereof;

FIG. 4 is a rear view thereof;

FIG. 5 is a left side view thereof;

FIG. 6 is a right side view thereof;

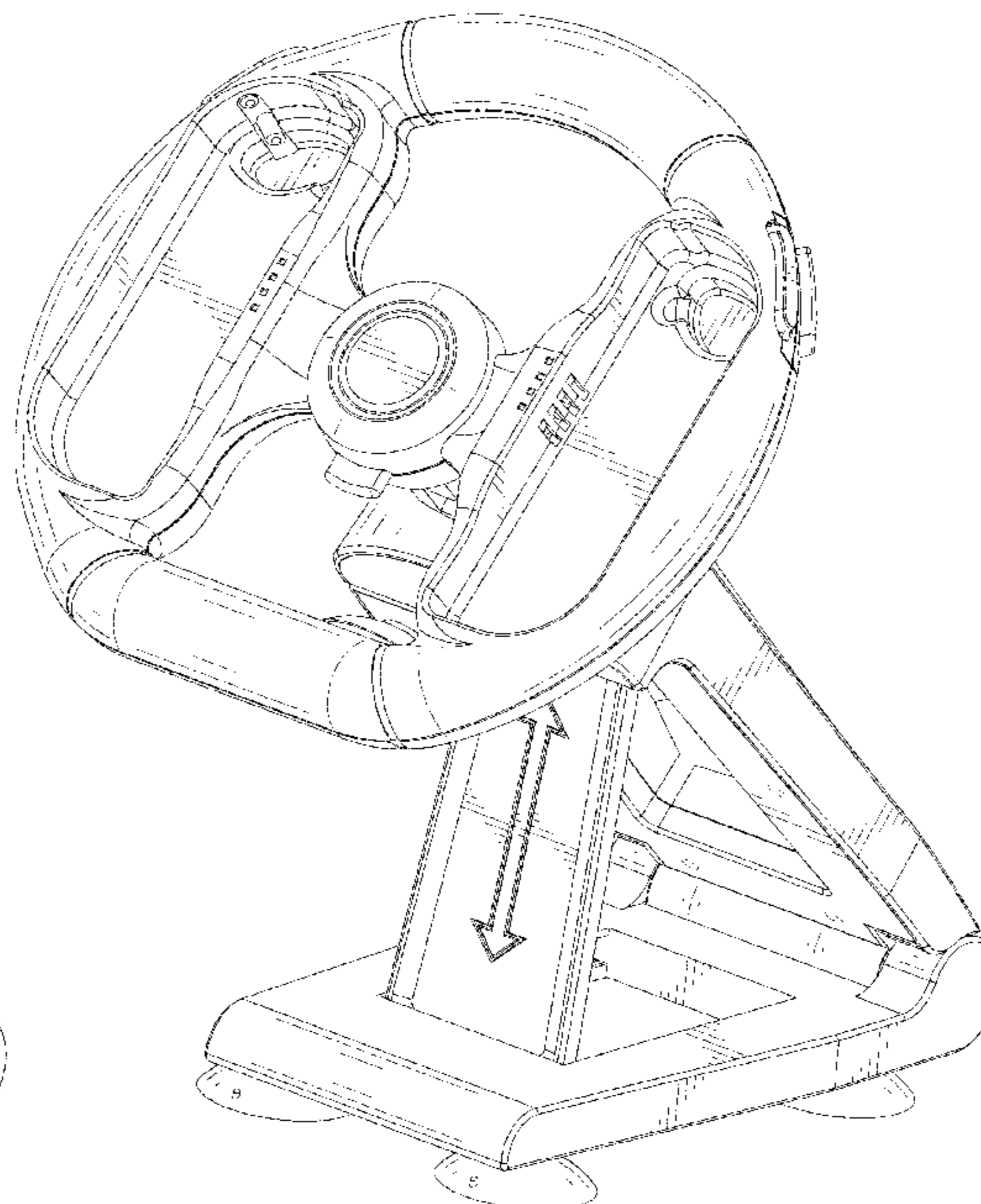
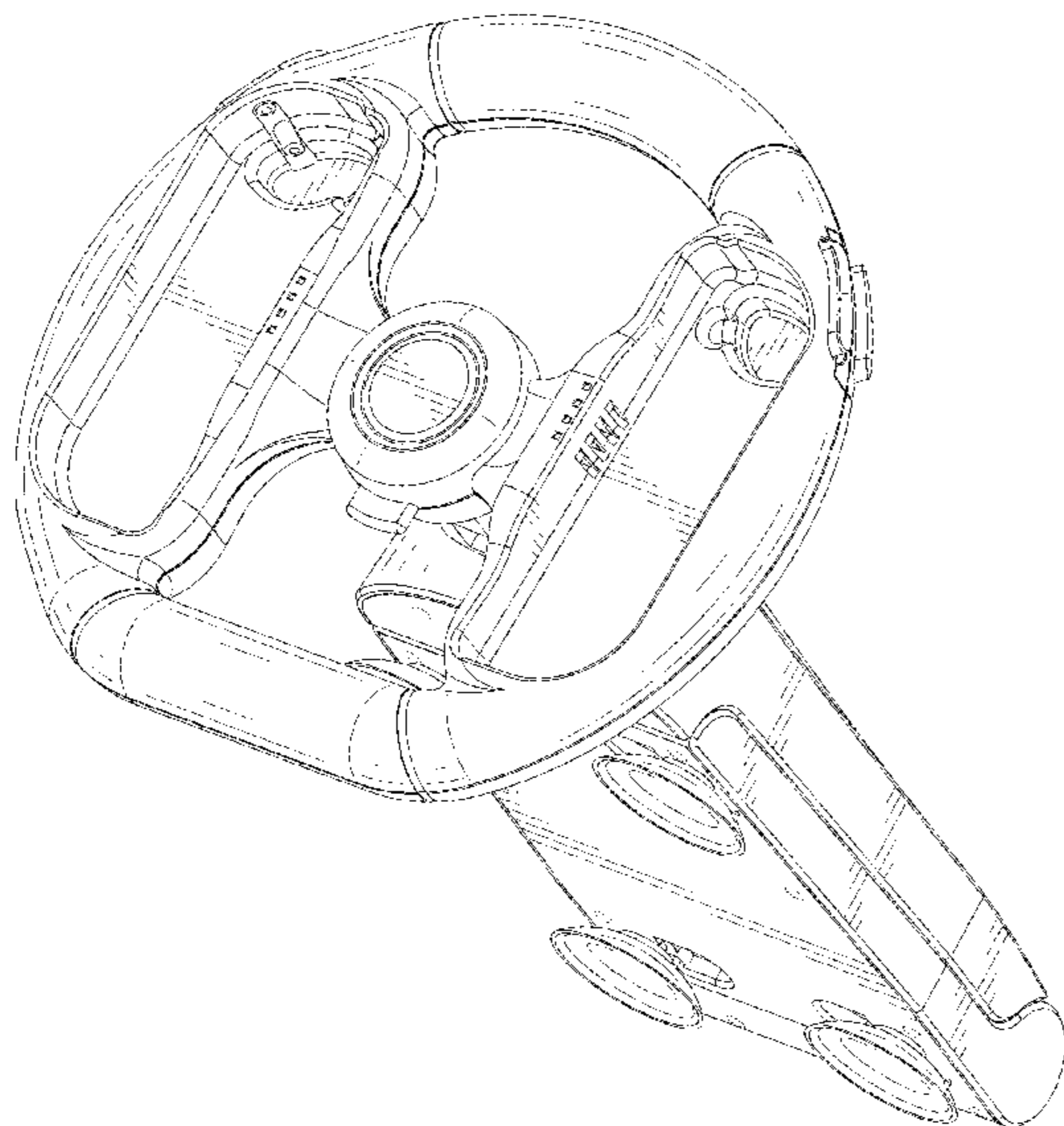
FIG. 7 is a top view thereof;

FIG. 8 is a bottom view thereof; and,

FIG. 9 is a perspective view thereof, shown in an open position.

The broken lines in the drawings depict portion of the game controller that form no part of the claimed design.

**1 Claim, 9 Drawing Sheets**



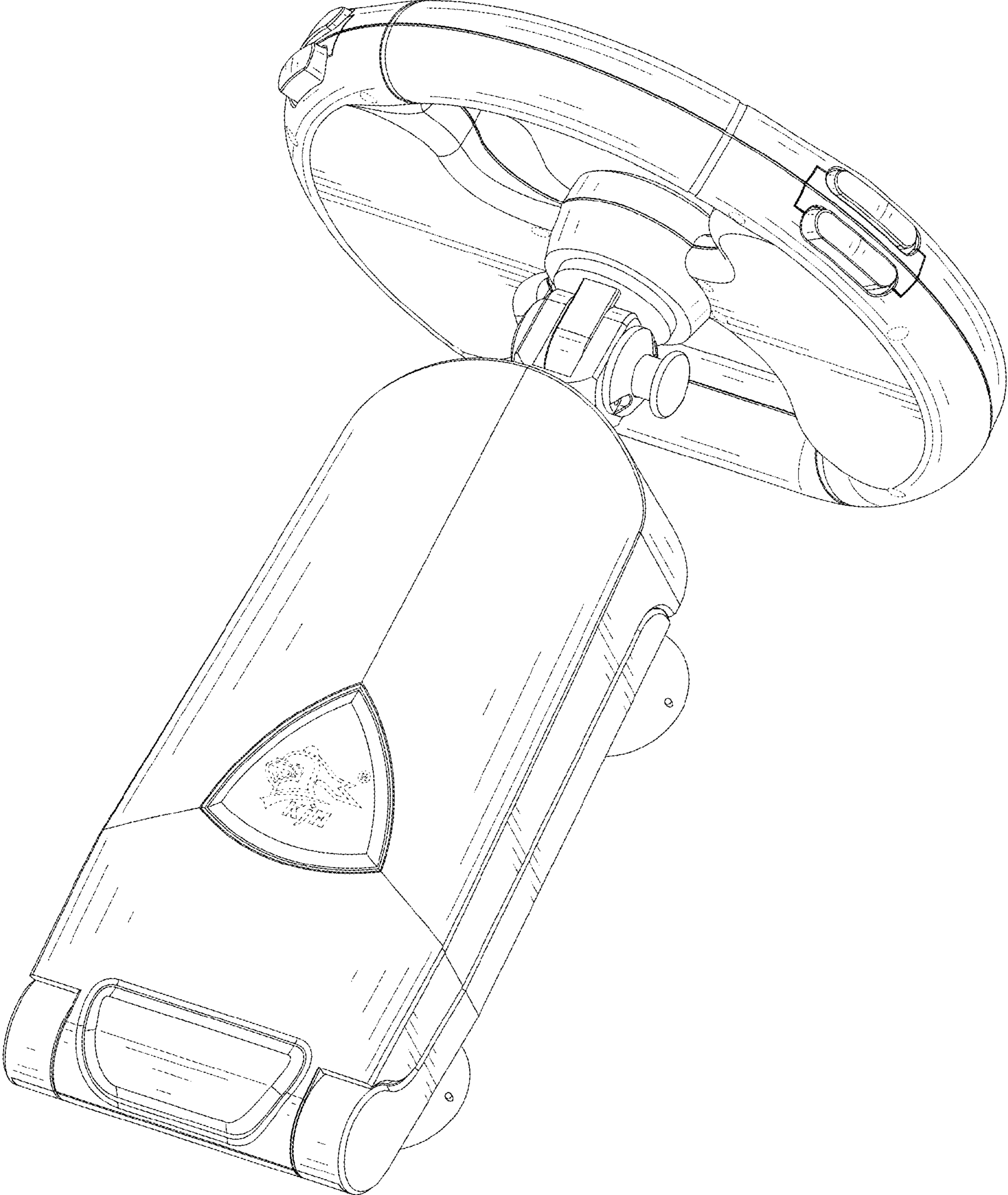


FIG.1



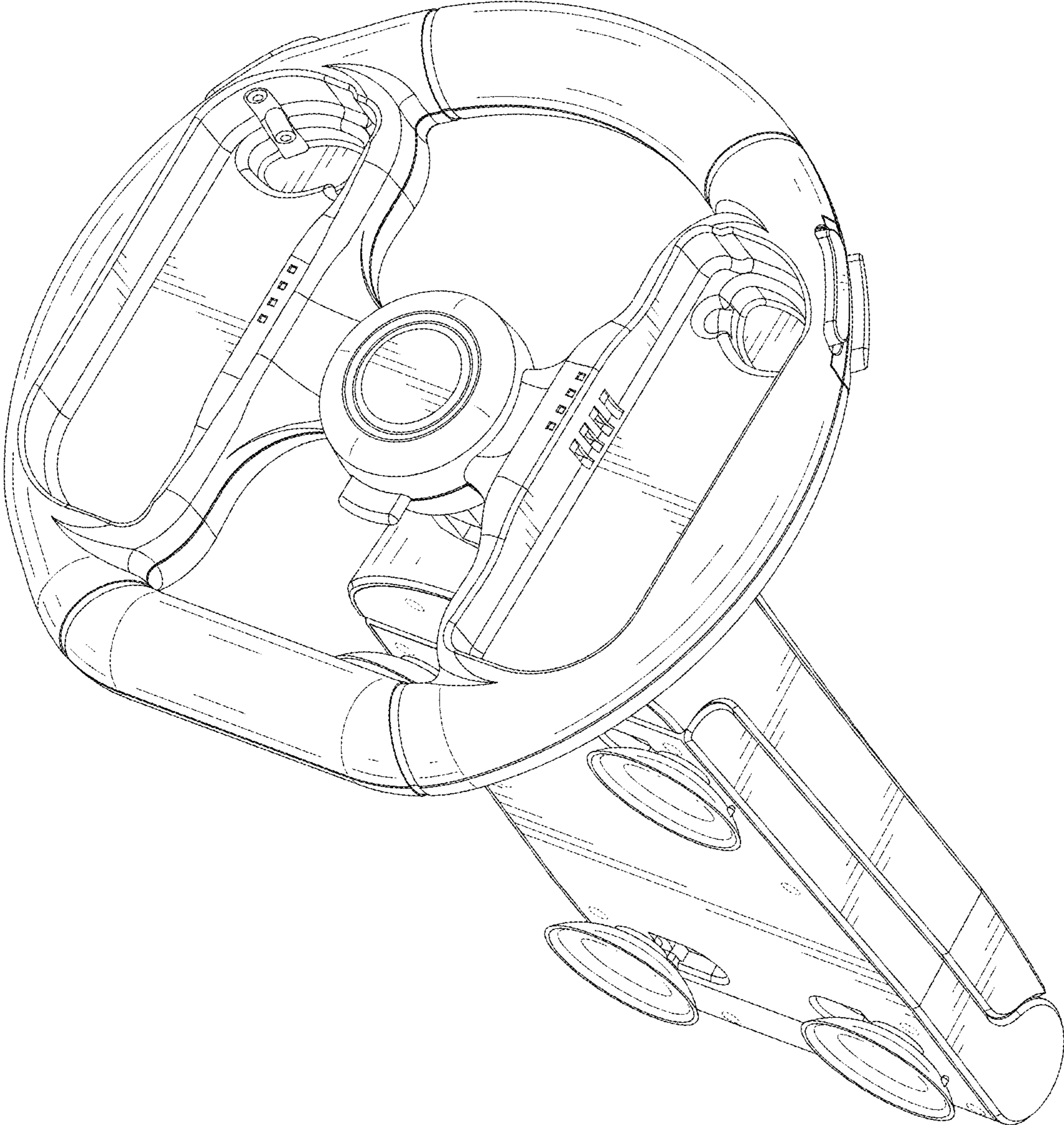


FIG.2

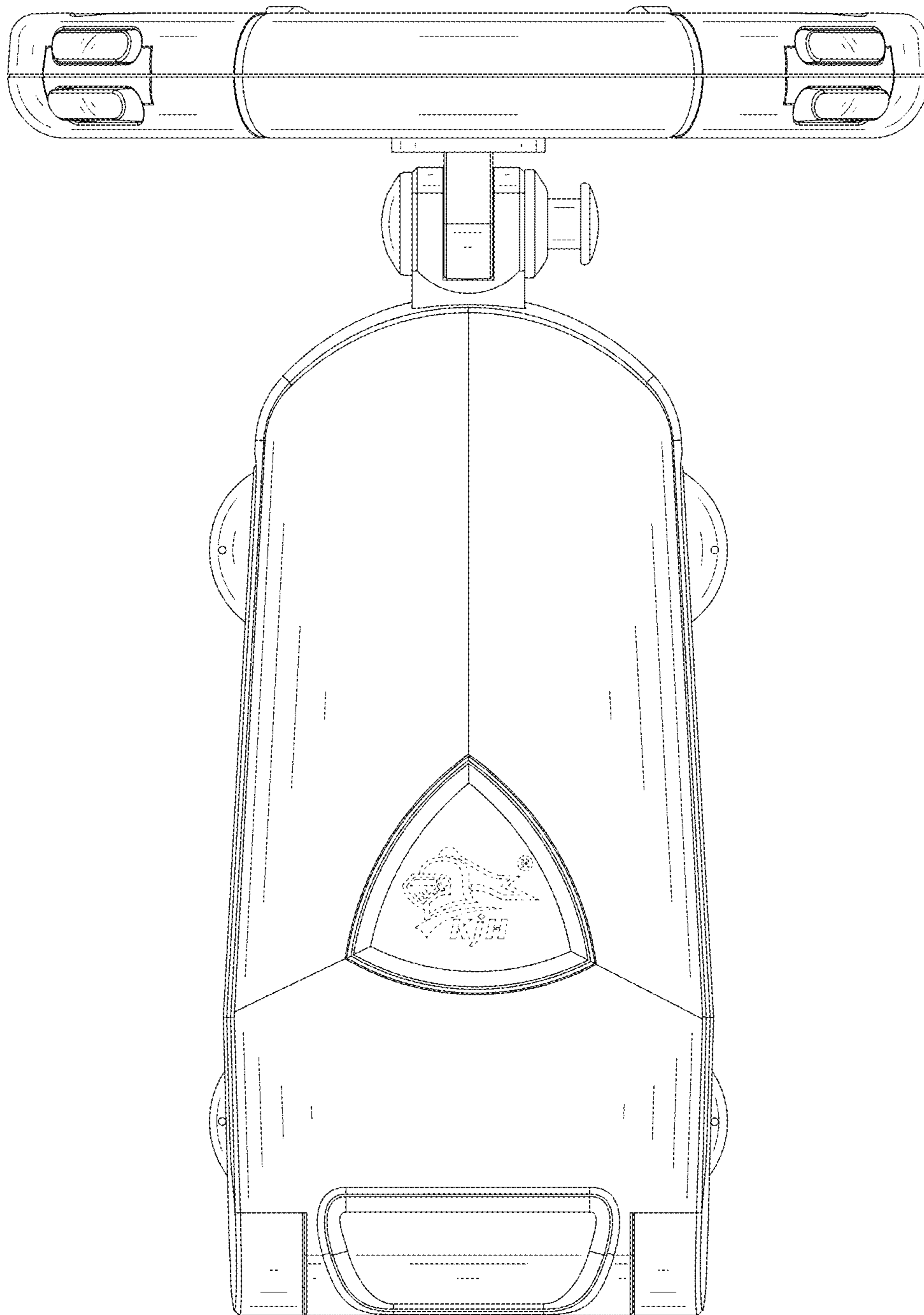


FIG.3

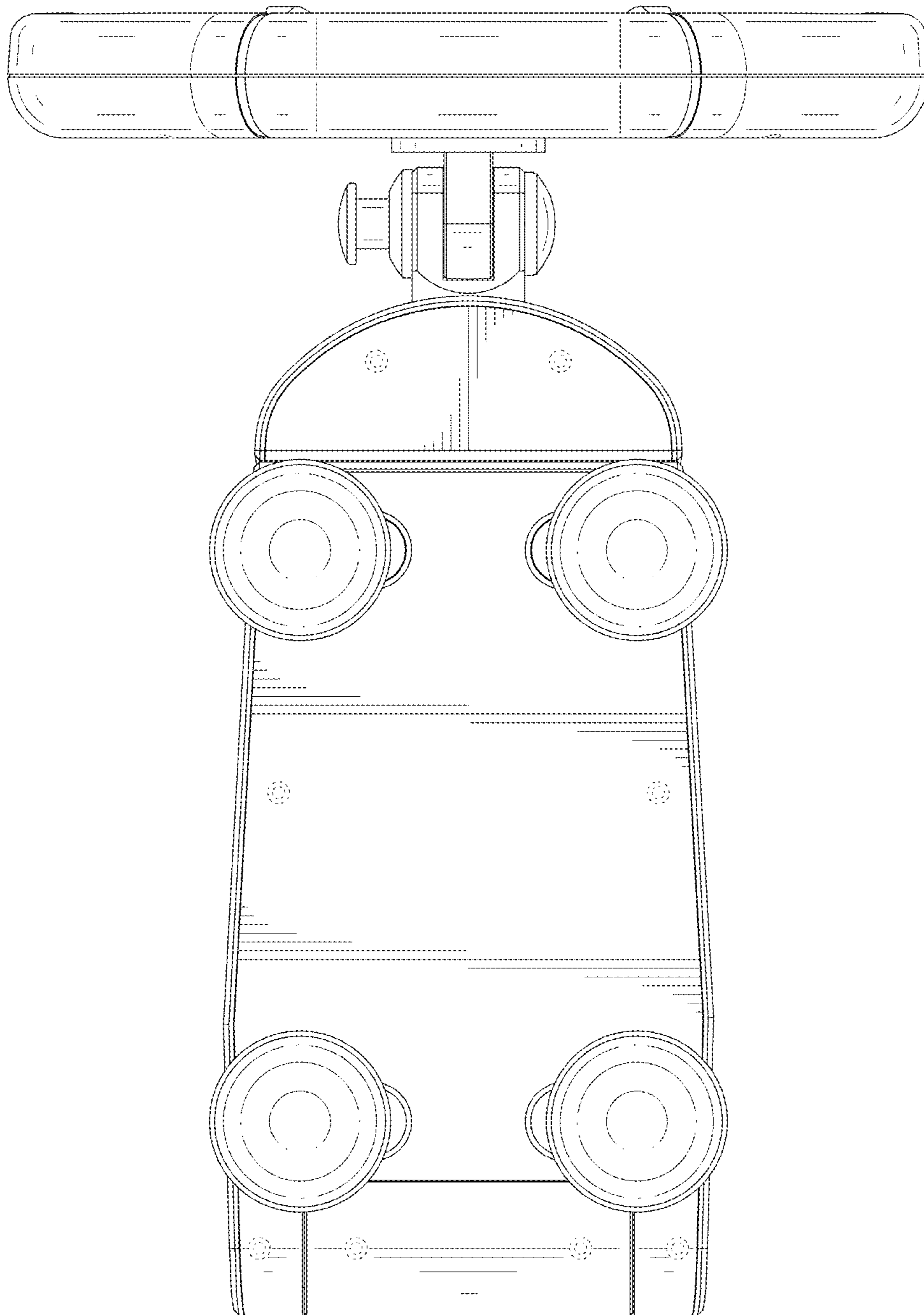


FIG.4

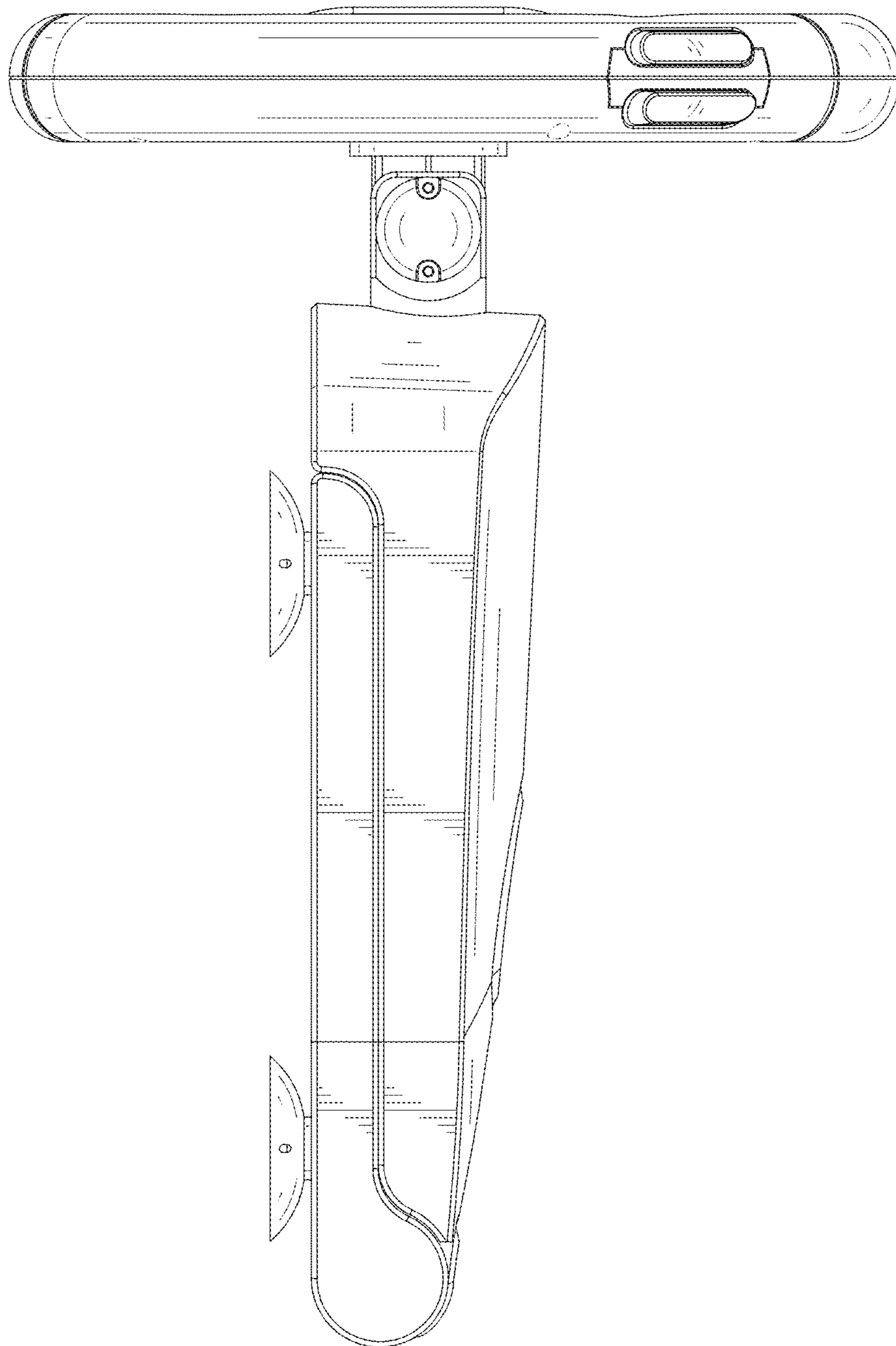


FIG.5

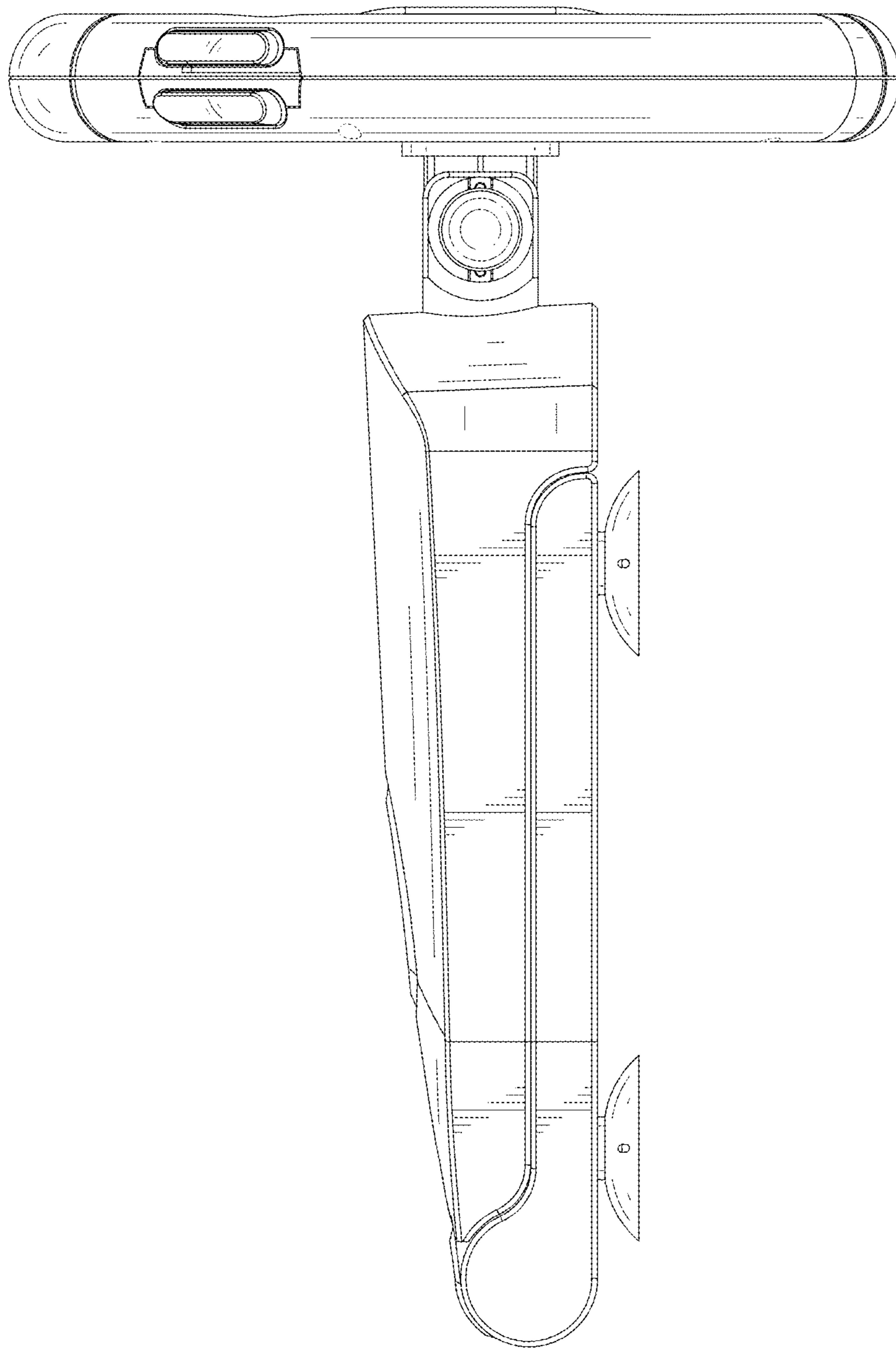


FIG.6



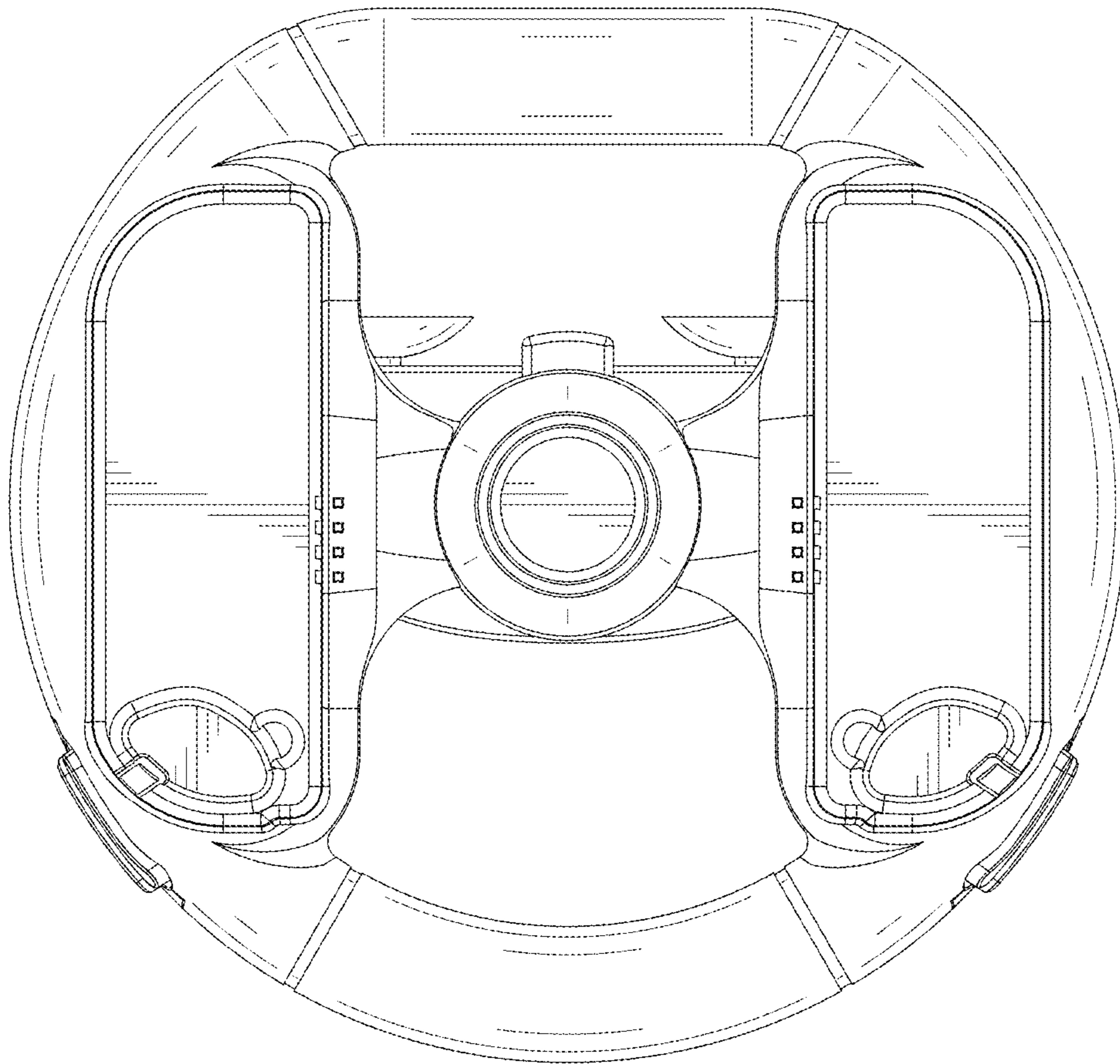


FIG.7



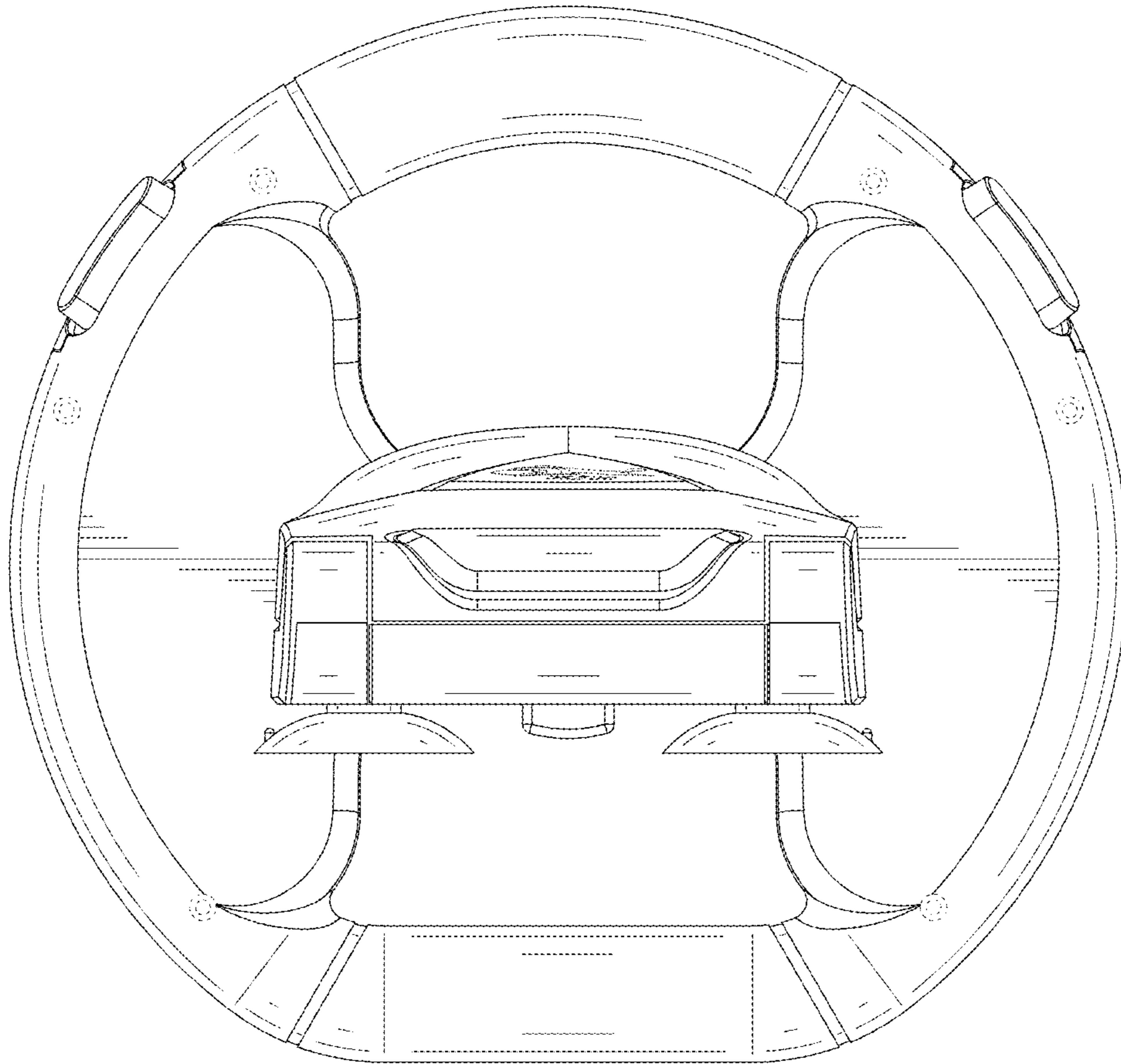


FIG.8

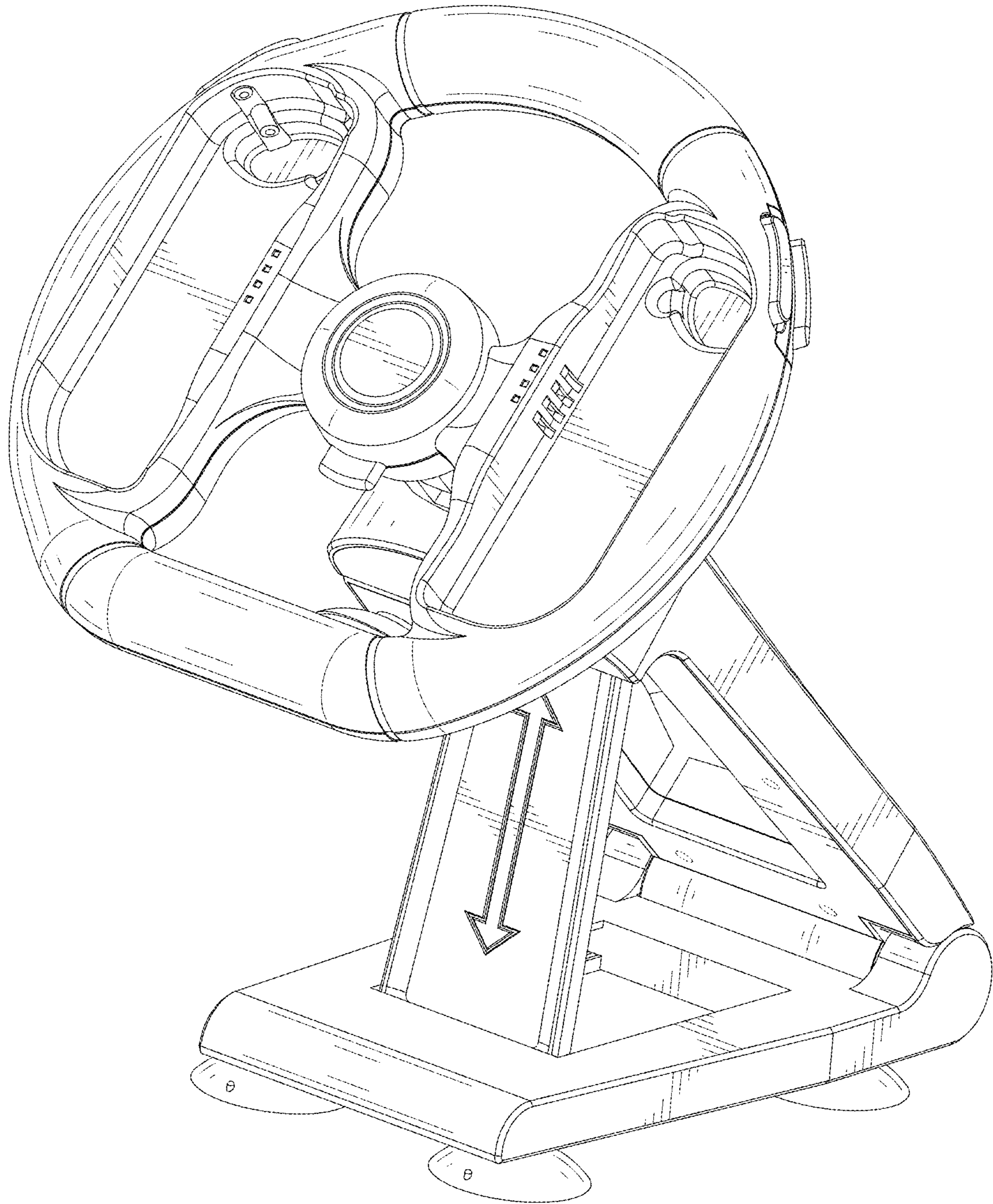


FIG.9