



US00D945528S

(12) **United States Design Patent**  
**Chang**

(10) **Patent No.:** **US D945,528 S**  
(45) **Date of Patent:** **\*\* Mar. 8, 2022**

- (54) **BILL ACCEPTOR**
- (71) Applicant: **INTERNATIONAL CURRENCY TECHNOLOGIES CORPORATION**, Taipei (TW)
- (72) Inventor: **Chia-Min Chang**, Taipei (TW)
- (73) Assignee: **INTERNATIONAL CURRENCY TECHNOLOGIES CORPORATION**, Taipei (TW)

5,495,929 A \* 3/1996 Batalianets ..... G07D 7/04  
194/207  
5,730,271 A \* 3/1998 Buchman ..... G07F 7/04  
194/206  
5,756,985 A \* 5/1998 Holste ..... B65H 29/46  
235/475

(Continued)

- (\*\*) Term: **15 Years**
- (21) Appl. No.: **29/704,505**
- (22) Filed: **Sep. 5, 2019**
- (51) **LOC (13) Cl.** ..... **20-01**
- (52) **U.S. Cl.**  
USPC ..... **D20/8; D10/97**
- (58) **Field of Classification Search**  
USPC ..... D18/3.1, 3.2, 3.3, 12, 12.1, 46, 47, 49;  
D14/383, 385, 386, 901, 902; D99/28,  
D99/34, 36, 43; D10/46, 97; D20/1, 8,  
D20/9; D19/78, 86, 99, 100  
CPC ... G07F 7/00; G07F 7/04; G07F 1/044; G07F  
9/026; G07F 19/20; G07F 19/202; G07F  
19/205; G07D 7/121; G07D 11/00; G07D  
11/0087; G07D 13/00; G07D 2211/00;  
G02B 6/0051; G02B 6/0055; G02B  
6/0075; B65H 29/46  
See application file for complete search history.

**FOREIGN PATENT DOCUMENTS**

CN 305671552 \* 3/2020  
CN 305689645 \* 4/2020  
EP 2843630 A1 \* 3/2015 ..... G07D 7/2033

**OTHER PUBLICATIONS**

BS7 Installation Guide H6505A-R. ictgroup.com. [online pdf] 24 pgs. Copyright 2013. [Retrieved on Oct. 4, 2018] [http://www.ictgroup.com.tw/download/Installation%20Guide/BS7%20Installation%20Guide%20\(EN\)%20H6505A-R.pdf](http://www.ictgroup.com.tw/download/Installation%20Guide/BS7%20Installation%20Guide%20(EN)%20H6505A-R.pdf).\*

(Continued)

*Primary Examiner* — Marie D. Fast Horse  
(74) *Attorney, Agent, or Firm* — Muncy, Geissler, Olds & Lowe, P.C.

(57) **CLAIM**

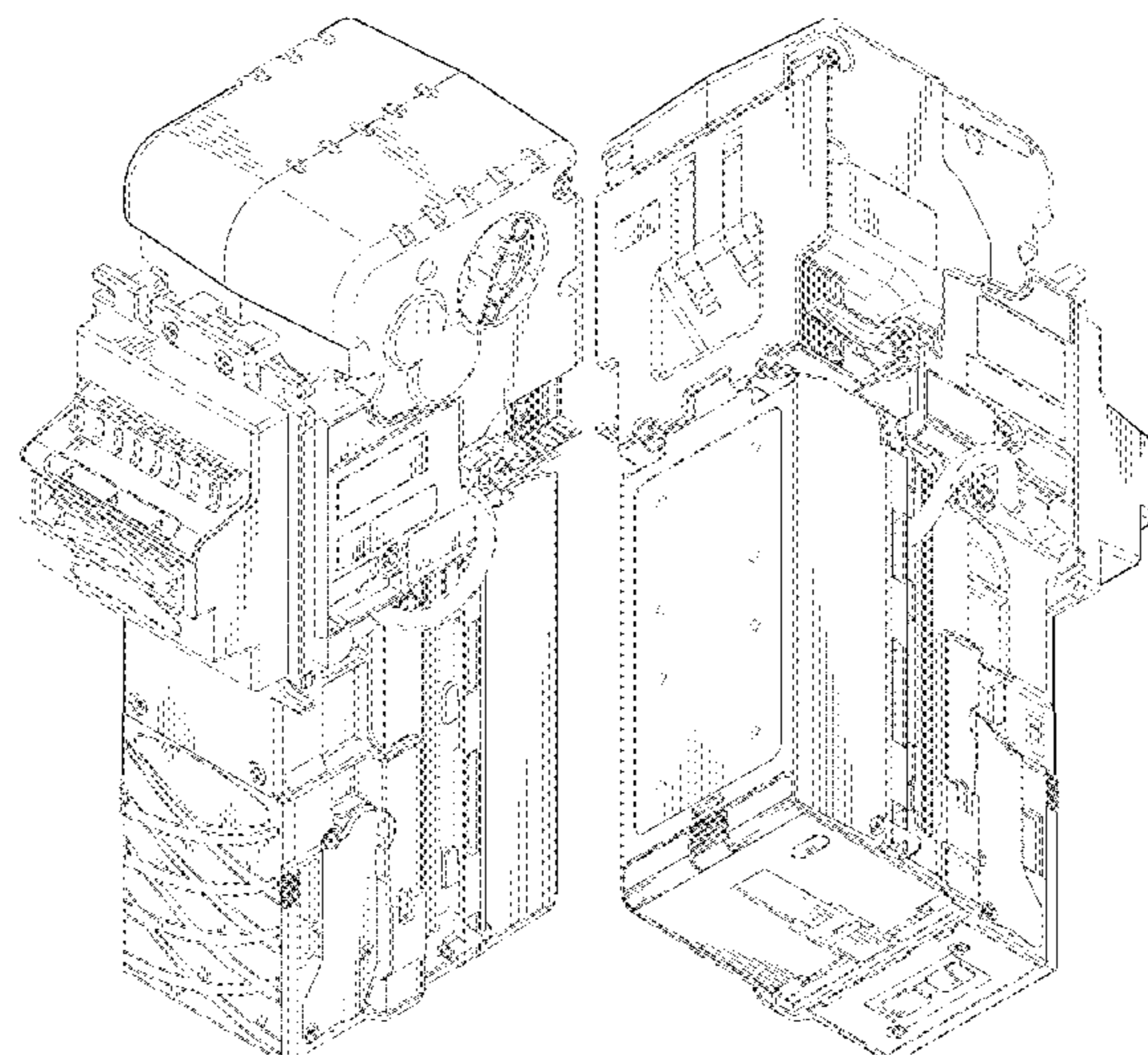
I claim the ornamental design for a bill acceptor, as shown and described.

**DESCRIPTION**

FIG. 1 is a top front perspective view of a bill acceptor showing my design;  
FIG. 2 is a front view thereof;  
FIG. 3 is a rear view thereof;  
FIG. 4 is a left side view thereof;  
FIG. 5 is a right side view thereof;  
FIG. 6 is a top view thereof;  
FIG. 7 is a bottom view thereof; and,  
FIG. 8 is a rear perspective view thereof.  
The broken lines in the drawings depict portions of the bill acceptor that form no part of the claimed design.

**1 Claim, 8 Drawing Sheets**

- (56) **References Cited**  
**U.S. PATENT DOCUMENTS**  
5,209,395 A \* 5/1993 Zouzoulas ..... G07D 11/0009  
109/45  
5,405,131 A \* 4/1995 Zouzoulas ..... B65H 29/46  
271/181  
5,411,249 A \* 5/1995 Zouzoulas ..... B65H 29/38  
271/181  
D359,765 S \* 6/1995 Izawa ..... D20/9



(56)

## References Cited

## U.S. PATENT DOCUMENTS

- D404,075 S \* 1/1999 Hatamachi ..... D20/8  
D446,464 S \* 8/2001 Chou ..... D10/104.1  
D450,907 S \* 11/2001 Chou ..... D99/34  
D476,688 S \* 7/2003 Yu ..... D20/8  
D477,030 S \* 7/2003 Koi ..... D20/8  
D477,902 S \* 7/2003 Bergeron ..... D18/3.3  
D483,057 S \* 12/2003 Bergeron ..... D18/3.3  
6,669,050 B2 \* 12/2003 Yu ..... B65H 31/22  
221/154  
D490,101 S \* 5/2004 Bergeron ..... D18/3.3  
D490,839 S \* 6/2004 Bergeron ..... D18/3.3  
6,742,645 B2 \* 6/2004 Chou ..... G07D 11/0006  
194/206  
D498,795 S \* 11/2004 Nunn ..... D20/8  
6,866,201 B2 \* 3/2005 Abe ..... G06K 13/08  
235/379  
D525,659 S \* 7/2006 Paczkowski ..... D20/8  
D526,359 S \* 8/2006 Takeuchi ..... D20/8  
7,104,383 B1 \* 9/2006 Saltsov ..... G07D 7/00  
194/206  
7,188,836 B2 \* 3/2007 Yamamiya ..... G07D 11/0006  
271/177  
D543,588 S \* 5/2007 Herbert ..... D20/8  
D547,806 S \* 7/2007 Uemizo ..... D20/8  
7,335,903 B1 \* 2/2008 Yang ..... G07D 11/0018  
109/45  
7,494,059 B2 \* 2/2009 Chang ..... G07F 11/045  
235/379  
D597,057 S \* 7/2009 Sheppard ..... D14/142  
D604,367 S \* 11/2009 Thawley ..... D20/8  
D614,237 S \* 4/2010 Hagiwara ..... D20/8  
D614,702 S \* 4/2010 Tomiyoshi ..... D20/8  
7,748,610 B2 \* 7/2010 Bell ..... B65D 43/162  
235/379  
D623,694 S \* 9/2010 Tomiyoshi ..... D20/8  
D624,968 S \* 10/2010 Tomiyoshi ..... D20/8  
D643,871 S \* 8/2011 Gerlier ..... D18/12.1  
D661,727 S \* 6/2012 Bleck ..... D18/3.3  
D678,416 S \* 3/2013 Tomiyoshi ..... D20/8  
8,684,156 B1 \* 4/2014 Chang ..... G07F 7/04  
194/207  
D734,396 S \* 7/2015 Seki ..... D20/8  
D736,318 S \* 8/2015 Seki ..... D20/8  
9,218,702 B2 \* 12/2015 Bird ..... G07F 1/041  
D764,468 S \* 8/2016 Yamamiya ..... D14/385  
D771,629 S \* 11/2016 Yang ..... D14/385  
9,708,125 B2 \* 7/2017 Yamamiya ..... B65G 13/071  
9,898,883 B1 \* 2/2018 Chang ..... G07D 11/0018  
D815,966 S \* 4/2018 Chang ..... D10/97  
D816,526 S \* 5/2018 Chang ..... D10/97  
D849,839 S \* 5/2019 Chang ..... D20/8  
D849,840 S \* 5/2019 Chang ..... D20/8  
D865,060 S \* 10/2019 Chang ..... D20/8  
D865,870 S \* 11/2019 Chang ..... D20/8  
D867,455 S \* 11/2019 Chang ..... D20/8  
2003/0094488 A1 \* 5/2003 Tanaka ..... G06K 7/0013  
235/380  
2003/0111317 A1 \* 6/2003 Chou ..... G07D 11/12  
194/351  
2004/0050651 A1 \* 3/2004 Heidel ..... G07D 7/00  
194/217  
2004/0119225 A1 \* 6/2004 Yamamiya ..... G07D 11/0006  
271/180  
2004/0140441 A1 \* 7/2004 Chen ..... G07F 7/04  
250/556  
2004/0231954 A1 \* 11/2004 Iwai ..... G07F 7/04  
194/207  
2005/0189702 A1 \* 9/2005 Takeuchi ..... B65H 31/14  
271/180  
2005/0224311 A1 \* 10/2005 Tsai ..... G07F 7/04  
194/203  
2006/0219516 A1 \* 10/2006 Saltsov ..... G07D 11/0072  
194/207  
2006/0272921 A1 \* 12/2006 Chien ..... G07F 7/04  
194/207  
2007/0084695 A1 \* 4/2007 Yu ..... G07F 7/04  
194/206  
2008/0084022 A1 \* 4/2008 Yang ..... B65H 31/22  
271/181  
2009/0218395 A1 \* 9/2009 Chien ..... G07F 7/04  
235/380  
2009/0223776 A1 \* 9/2009 Lin ..... G07F 7/04  
194/206  
2009/0242353 A1 \* 10/2009 Yu ..... G07D 11/0018  
194/207  
2009/0294242 A1 \* 12/2009 Yu ..... G07D 11/0018  
194/206  
2009/0294245 A1 \* 12/2009 Paczkowski ..... G07D 11/50  
194/206  
2009/0321217 A1 \* 12/2009 Yu ..... G07F 7/04  
194/207  
2010/0108462 A1 \* 5/2010 Hsieh ..... G07F 7/04  
194/206  
2010/0176197 A1 \* 7/2010 Huang ..... G07F 7/04  
235/381  
2010/0263983 A1 \* 10/2010 Nireki ..... B65H 31/06  
194/202  
2010/0270119 A1 \* 10/2010 Tsao ..... G07F 7/04  
194/206  
2010/0320056 A1 \* 12/2010 Yu ..... G07D 11/0018  
194/202  
2011/0007960 A1 \* 1/2011 Nireki ..... G07D 7/162  
382/135  
2011/0036681 A1 \* 2/2011 Dunlop ..... G07F 19/203  
194/206  
2014/0054459 A1 \* 2/2014 Scott ..... G07D 11/00  
250/338.1  
2014/0083815 A1 \* 3/2014 Chang ..... G07F 7/04  
194/344  
2014/0090950 A1 \* 4/2014 Johnson ..... G07D 11/0018  
194/344  
2014/0097063 A1 \* 4/2014 Chiang ..... G07D 11/0063  
194/206  
2014/0311860 A1 \* 10/2014 Tsou ..... G07D 11/0027  
198/395  
2015/0062960 A1 \* 3/2015 Chang ..... G07D 11/0018  
362/602  
2015/0063672 A1 \* 3/2015 Chang ..... G07D 7/2033  
382/135  
2017/0287254 A1 \* 10/2017 Takeda ..... G07D 11/16  
2018/0108201 A1 \* 4/2018 Kamihigashi ..... G07D 11/0018  
2018/0148290 A1 \* 5/2018 Sackfield ..... G07D 11/0033  
2020/0005576 A1 \* 1/2020 Yates ..... G07F 19/202  
2020/0286322 A1 \* 9/2020 Cost ..... G07D 11/16  
2021/0155441 A1 \* 5/2021 Chang ..... B65H 35/008

## OTHER PUBLICATIONS

- A6-V6 Series Installation Guide H4458k-R. ictgroup.com. [online pdf] 13 pgs. Copyright 2003. [Retrieved on Oct. 4, 2018] [http://www.ictgroup.com.tw/download/Installation%20Guide/A6.V6%20Installation%20Guide\(EN\)%20H4458K-R.pdf](http://www.ictgroup.com.tw/download/Installation%20Guide/A6.V6%20Installation%20Guide(EN)%20H4458K-R.pdf).\*
- XBA mini\_ Installation Guide H6673D-R. ictgroup.com. [online pdf] 12 pgs. Copyright 2015. [Retrieved on Oct. 4, 2018] [http://www.ictgroup.com.tw/download/Installation%20Guide/XBA-mini%20Installation%20Guide\(EN\)%20H6673D-R.pdf](http://www.ictgroup.com.tw/download/Installation%20Guide/XBA-mini%20Installation%20Guide(EN)%20H6673D-R.pdf).\*
- L70 L77 L83 Installation Guide H4908U-R. eurocoin.ro [online pdf] 27 pgs. Copyright 2007. [Retrieved on Oct. 4, 2018] <http://www.eurocoin.ro/sites/default/files/2018-05/L%20Series%20Installation%20Guide%20%28EN%29%20H4908U-R.pdf>.\*
- P Series Installation Guide H4814J-R. ictgroup.com. [online pdf] 17 pgs. Copyright 2005. [Retrieved on Oct. 4, 2018] [http://www.ictgroup.com.tw/download/Installation%20Guide/P%20Series%20Installation%20Guide\(EN\)%20H4814J-R.pdf](http://www.ictgroup.com.tw/download/Installation%20Guide/P%20Series%20Installation%20Guide(EN)%20H4814J-R.pdf).\*
- P Series Installation Guide H4814C-R. es.co.th. [online pdf] 14 pgs. Copyright 2005. [Retrieved on Oct. 4, 2018] <http://www.es.co.th/schemetic/pdf/P-SSERIES.pdf>.\*

(56)

**References Cited**

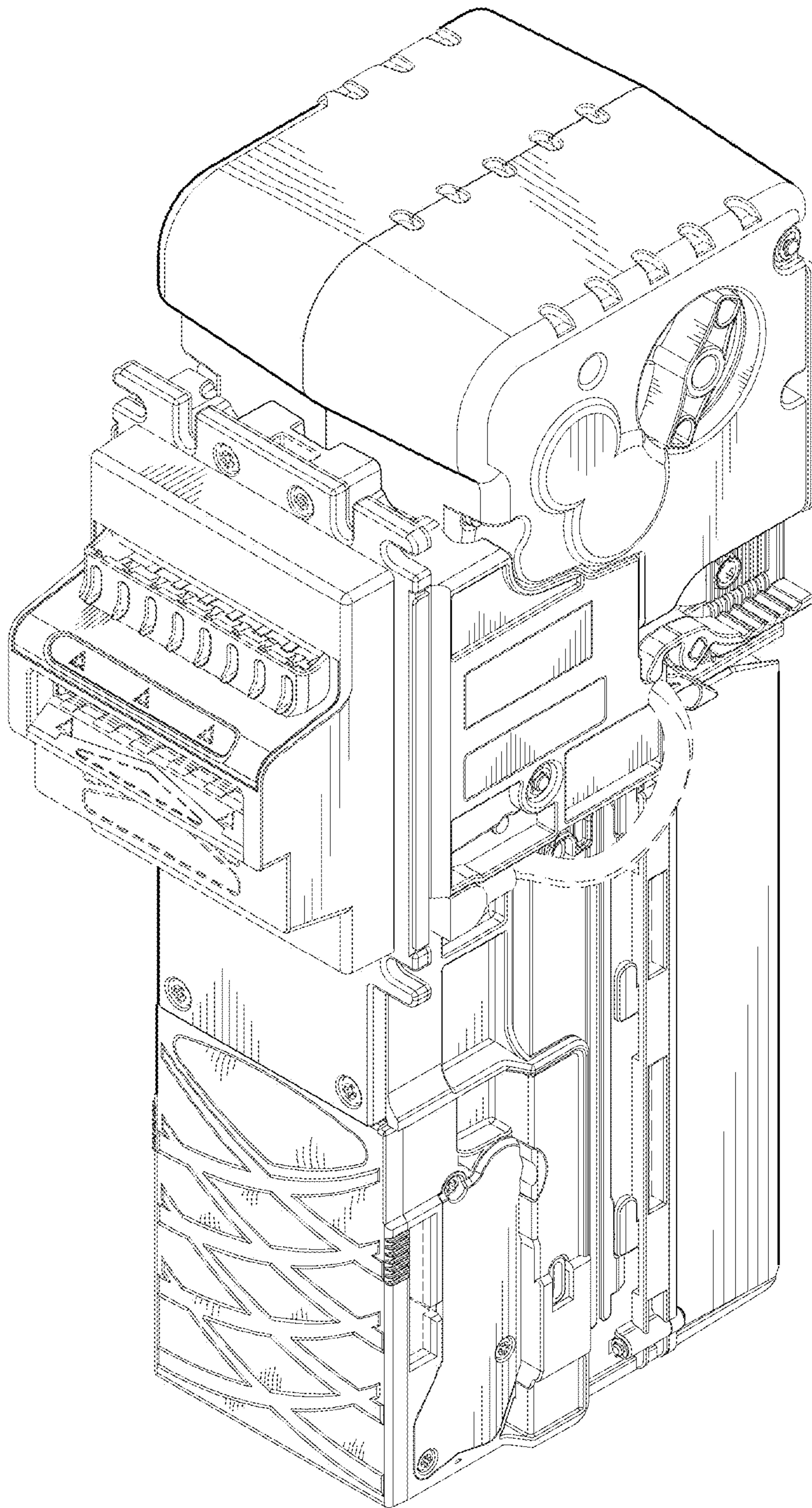
OTHER PUBLICATIONS

XBA Quick Start Guide H6486C-R. ictgroup.com. [online pdf] 19 pgs. Copyright 2013. [Retrieved on Oct. 4, 2018] [http://www.ictgroup.com.tw/download/Installation%20Guide/XBA%20Quick%20Start%20Guide\(EN\)%20H6486C-R.pdf](http://www.ictgroup.com.tw/download/Installation%20Guide/XBA%20Quick%20Start%20Guide(EN)%20H6486C-R.pdf).\*

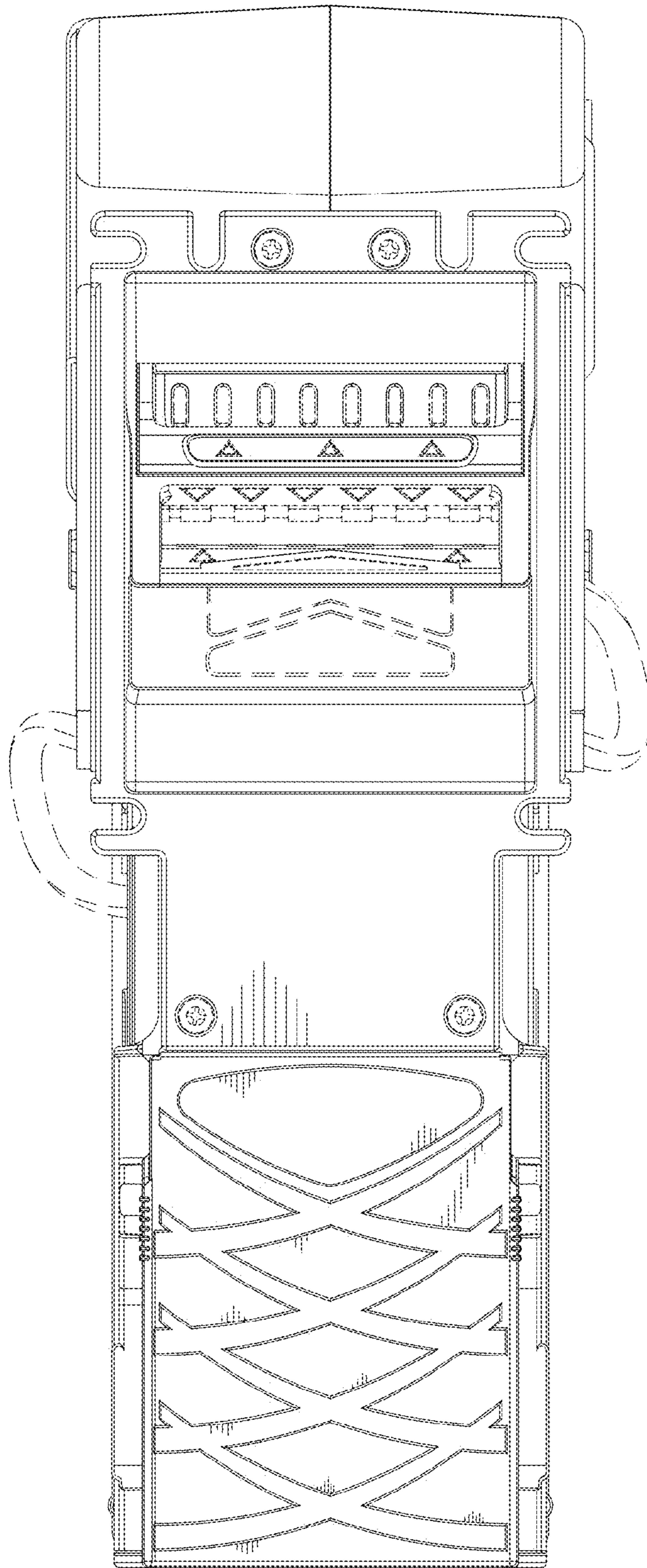
Bill Acceptors Bill Acceptors ICT and Pyramid, www.reelgaming.com. [online] 3 pgs. Uploaded/Posted as early as Apr. 5, 2013. [Retrieved on Oct. 9, 2018] <https://web.archive.org/web/20130405060931/http://www.reelgaming.com/gaming-products/bill-acceptors/>.\*

ICT V638-F0M-USD4-T2—800 Note, suzohapp.com. [online] 4 pgs. Available as early as 2012 and 2014 per reviews. [Retrieved on Oct. 9, 2018] [https://na.suzohapp.com/products/bill\\_validators/42-0001-00](https://na.suzohapp.com/products/bill_validators/42-0001-00).\*

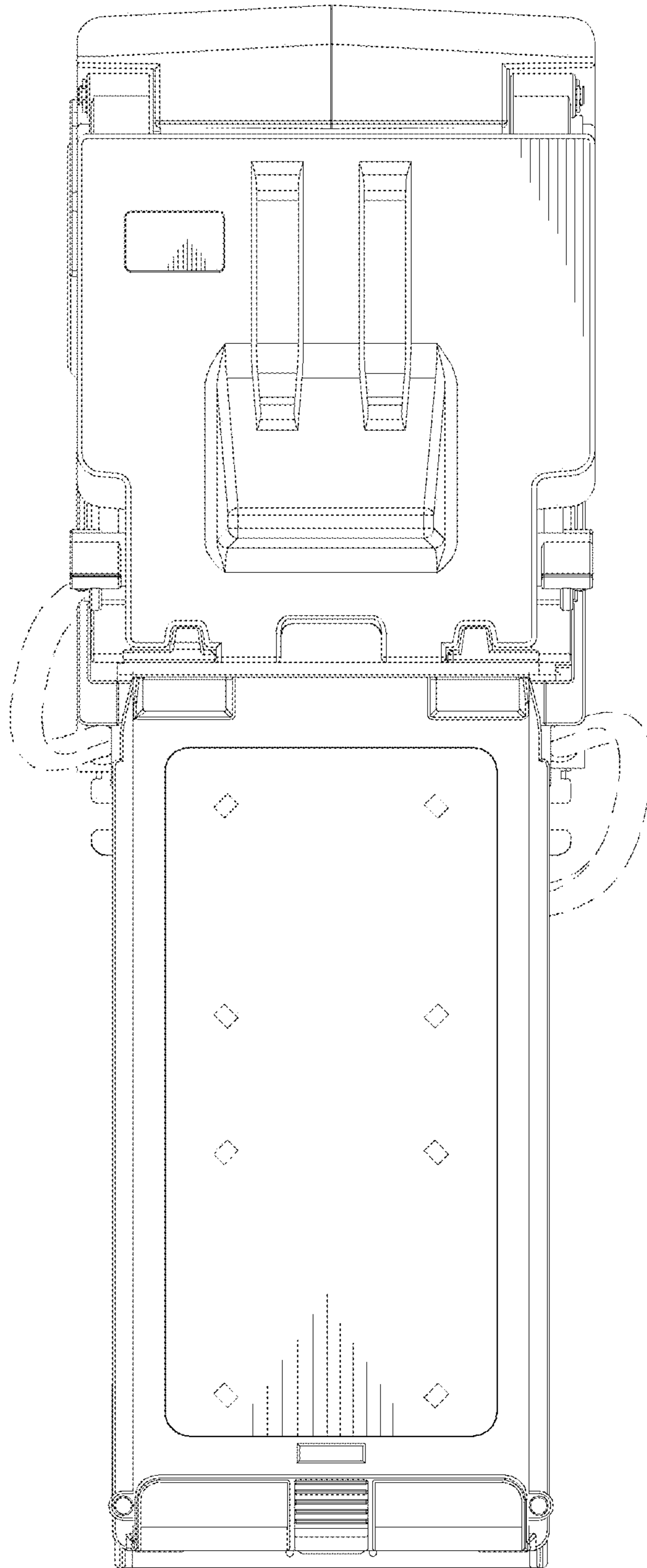
\* cited by examiner



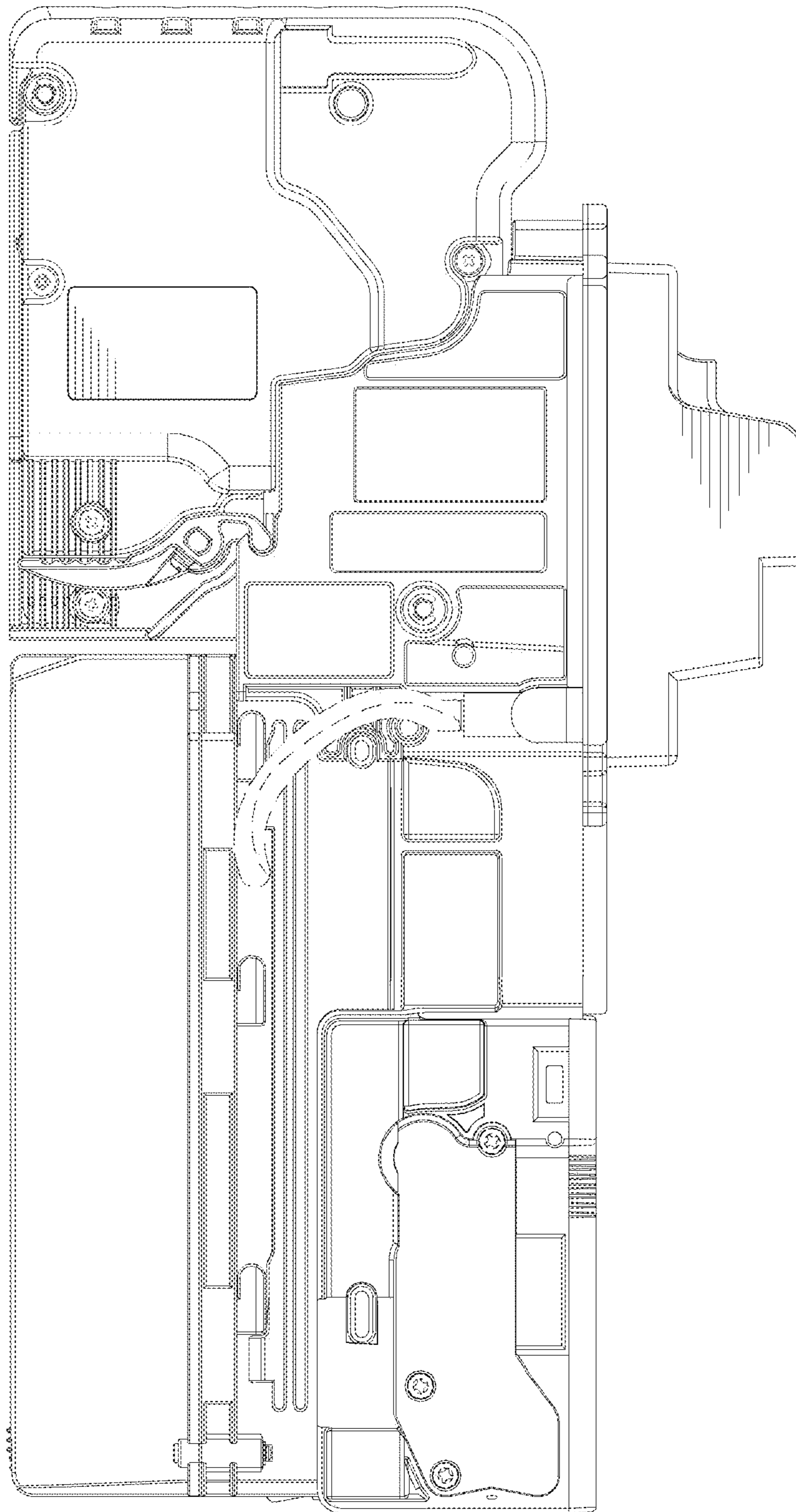
*FIG. 1*



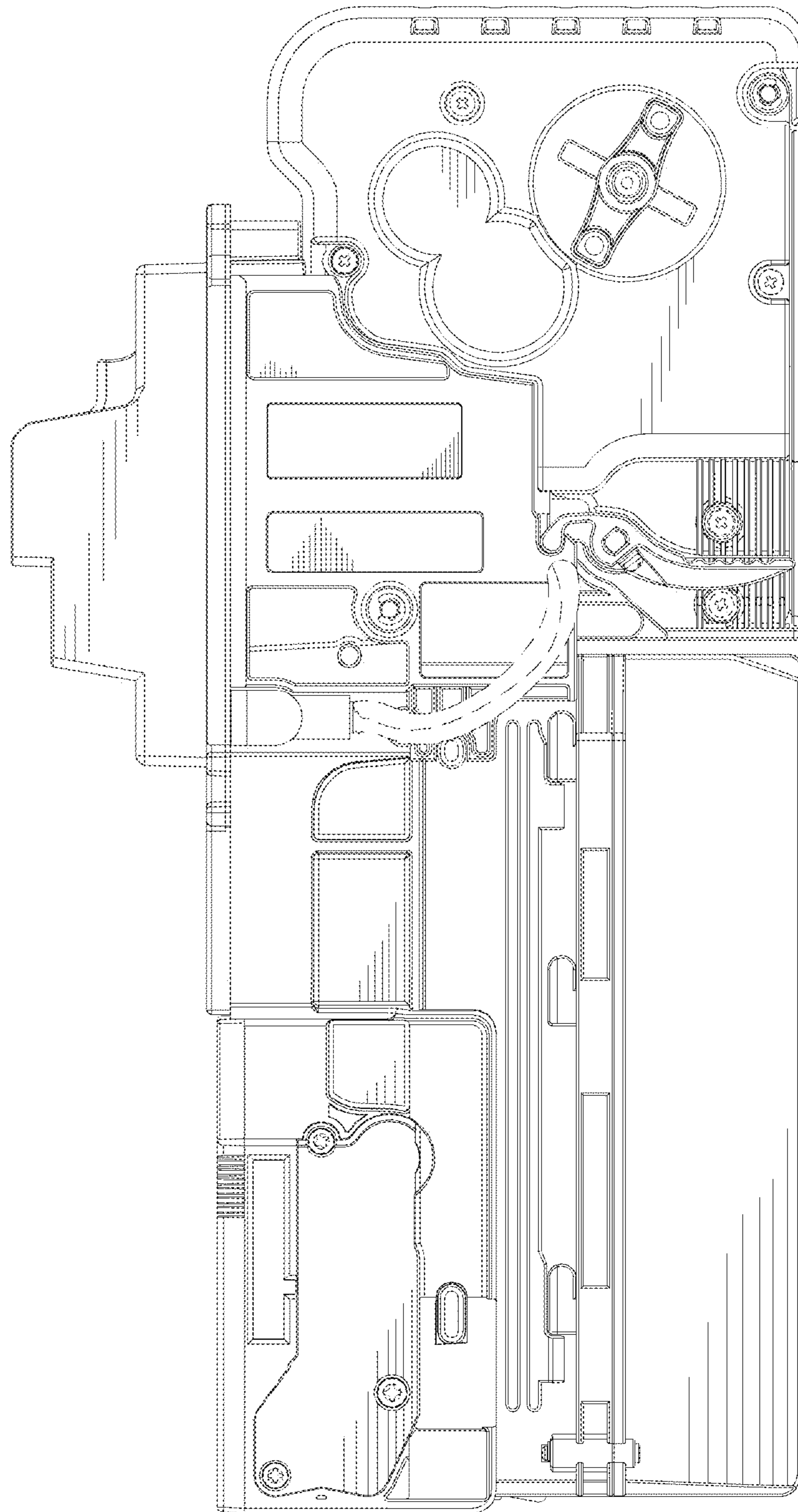
*FIG. 2*



*FIG. 3*

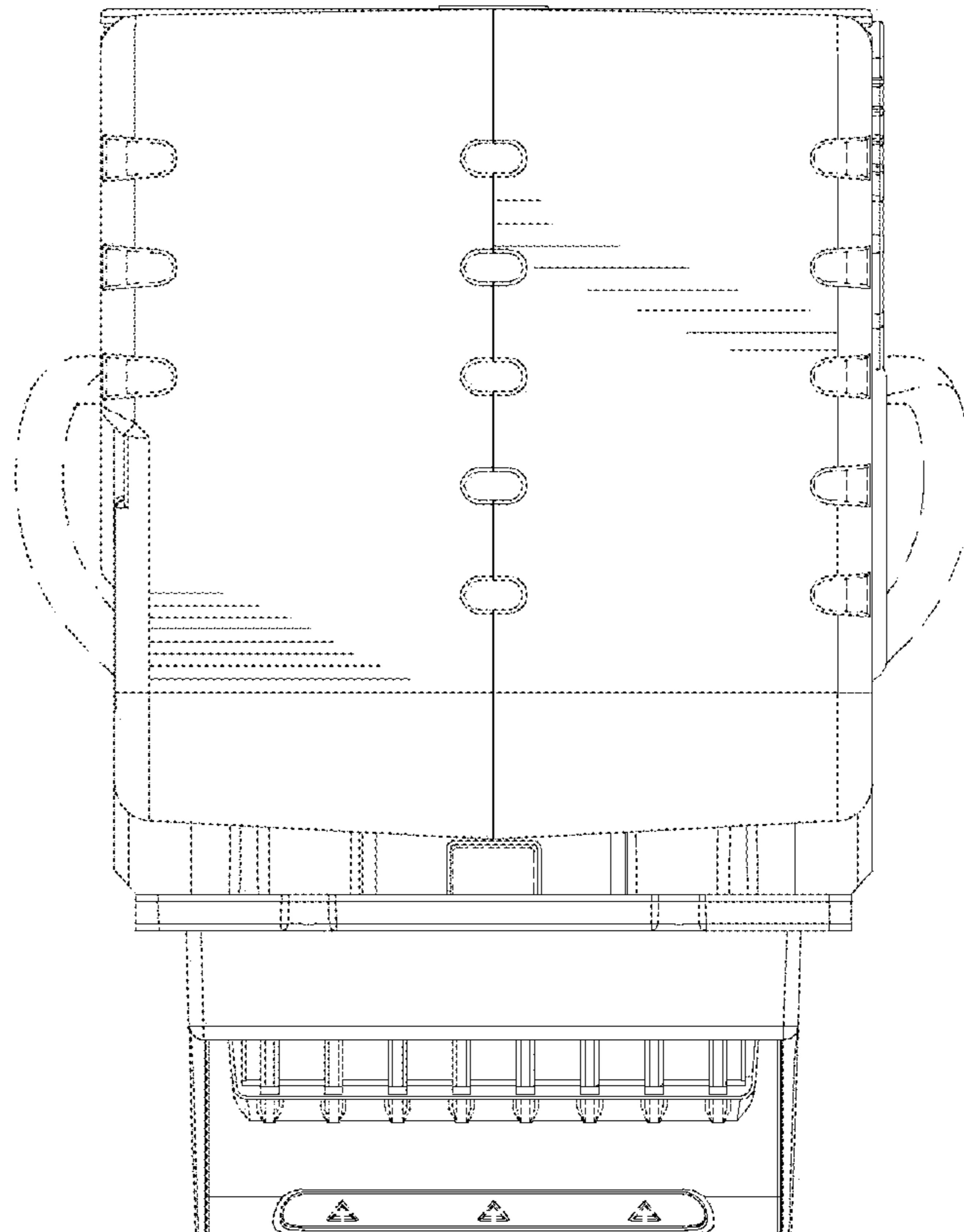


*FIG. 4*

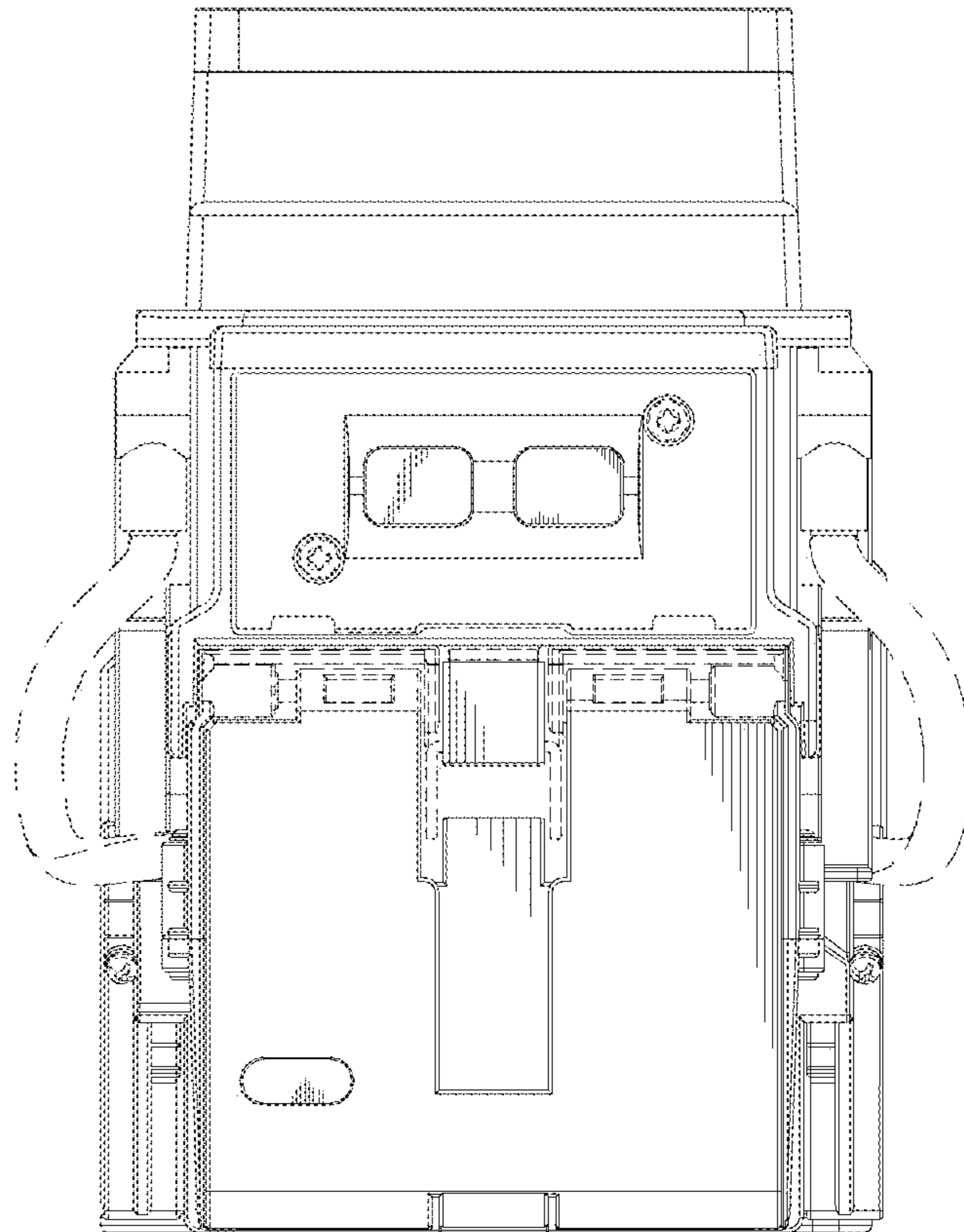


*FIG. 5*

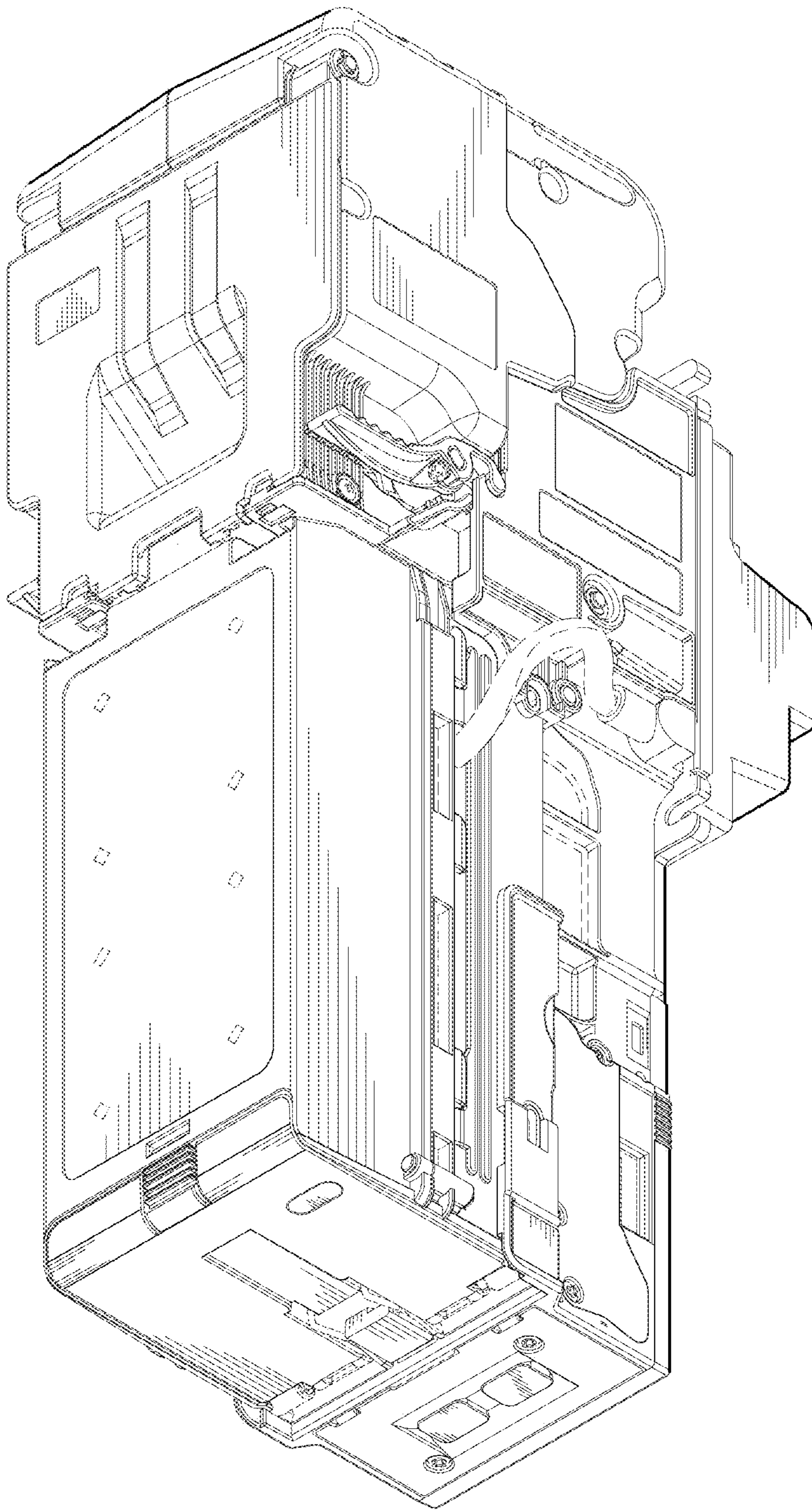




*FIG. 6*



*FIG. 7*



*FIG. 8*