



US00D945524S

(12) **United States Design Patent**
Jensen

(10) **Patent No.:** **US D945,524 S**

(45) **Date of Patent:** **** Mar. 8, 2022**

(54) **HOLDER FOR PAYMENT TERMINAL**

(71) Applicant: **Ergonomic Solutions International Limited**, Epsom (GB)

(72) Inventor: **Lars Enghave Jensen**, Norresundby (DK)

(**) Term: **15 Years**

(21) Appl. No.: **35/510,941**

(22) Filed: **Nov. 19, 2020**

(80) **Hague Agreement Data**

Int. Filing Date: **Nov. 19, 2020**

Int. Reg. No.: **DM/211472**

Int. Reg. Date: **Nov. 19, 2020**

Int. Reg. Pub. Date: **Dec. 11, 2020**

(51) **LOC (13) Cl.** **18-01**

(52) **U.S. Cl.**

USPC **D18/12**; D8/394

(58) **Field of Classification Search**

USPC D14/447, 432, 434, 439, 440, 451, 452, D14/457, 239, 251, 253; D8/349, 355, D8/363, 364, 366, 373, 380, 381, 394, D8/396; D12/415, 419, 420; D18/4.4-4.6, 12, 12.1; D6/512

CPC A47B 21/04; A47B 2097/006; A47B 2097/005; A47B 2023/049; A45C 2011/002; A45C 2011/003; F16M 2200/00; F16M 13/00

See application file for complete search history.

(56) **References Cited**

U.S. PATENT DOCUMENTS

D32,337 S * 3/1900 Cliff D8/358
D259,330 S * 5/1981 Stine D8/373
4,278,225 A * 7/1981 Phelps A61J 1/06
248/311.3

D260,480 S * 9/1981 DeMars D6/323
D331,358 S * 12/1992 Sachs D8/356
D409,895 S * 5/1999 Schron, Jr D8/349
D482,954 S * 12/2003 Hoernig D8/381
D550,547 S * 9/2007 Sato D8/381
D573,150 S * 7/2008 Sween D14/447
D695,593 S * 12/2013 Nunez Farfan A61J 1/06
D8/354
D803,758 S * 11/2017 Giordano D12/223
D804,483 S * 12/2017 Minoli D14/434
D876,316 S * 2/2020 Peters D12/415
D924,317 S * 7/2021 Laza D18/4.4

* cited by examiner

Primary Examiner — Keli L Hill

(57) **CLAIM**

The ornamental design for a holder for payment terminal, as shown and described.

DESCRIPTION

1. Holder for payment terminal

1.1 : Perspective

1.2 : Front

1.3 : Back

1.4 : Left

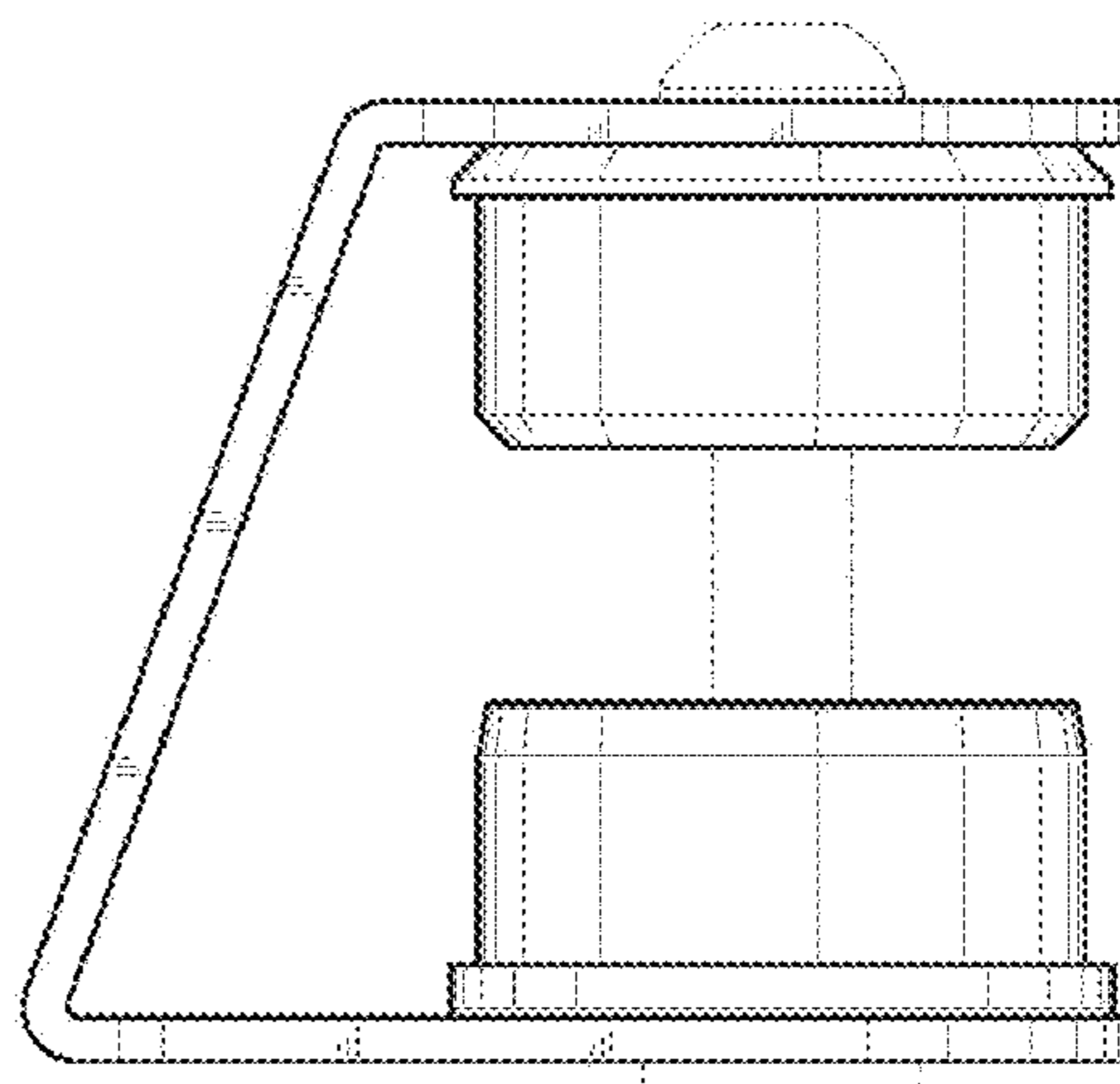
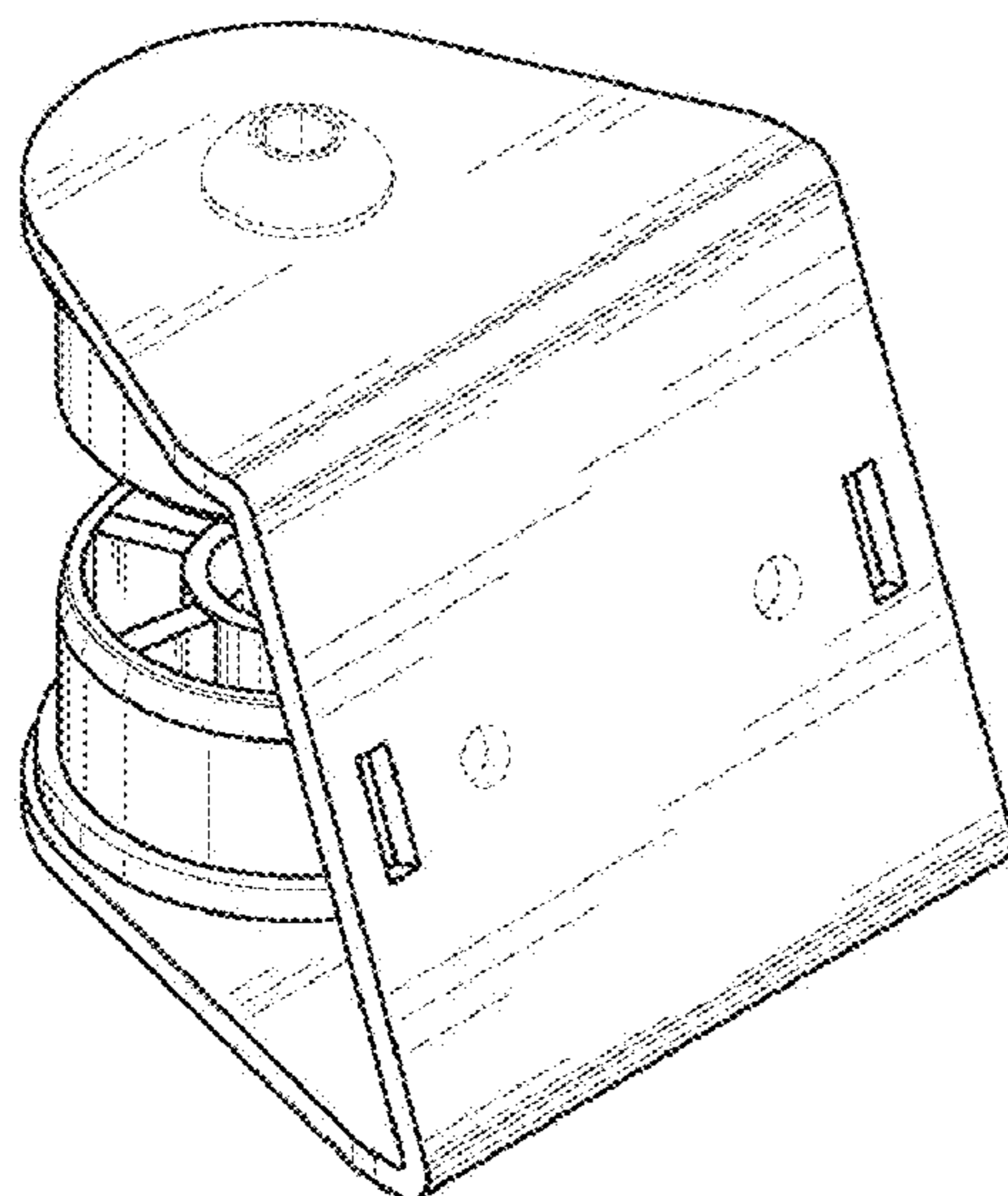
1.5 : Right

1.6 : Top

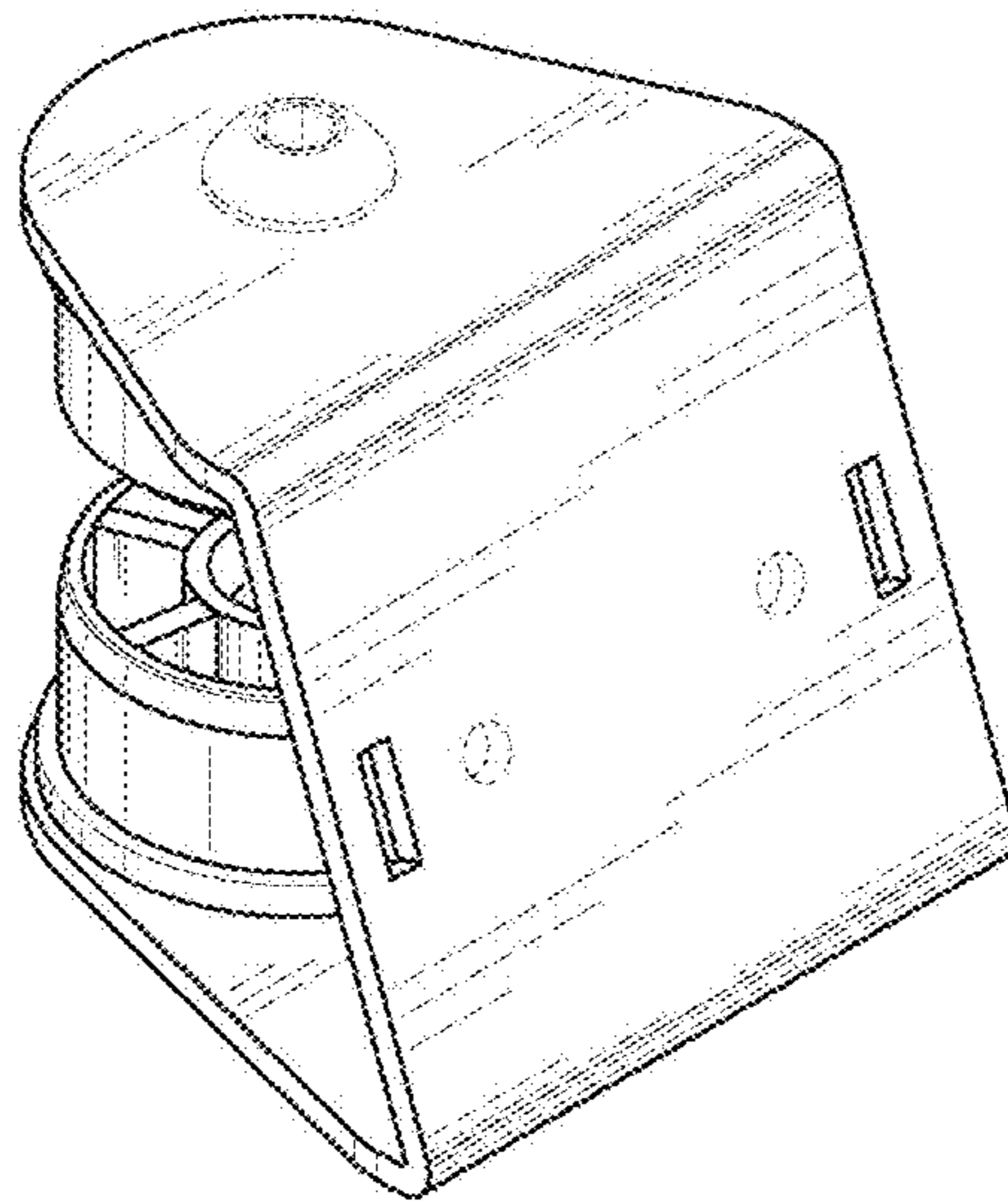
1.7 : Bottom

Fig. 1.1 shows a perspective view of the holder for payment terminal; Fig. 1.2 shows a front view of the holder for payment terminal; Fig. 1.3 shows a rear view of the holder for payment terminal; Fig. 1.4 shows a left side view of the holder for payment terminal; Fig. 1.5 shows a right side view of the holder for payment terminal; Fig. 1.6 shows a top view of the holder for payment terminal; Fig. 1.7 shows a bottom view of the holder for payment terminal. The broken lines are for illustrative purposes only and form no part of the claimed design.

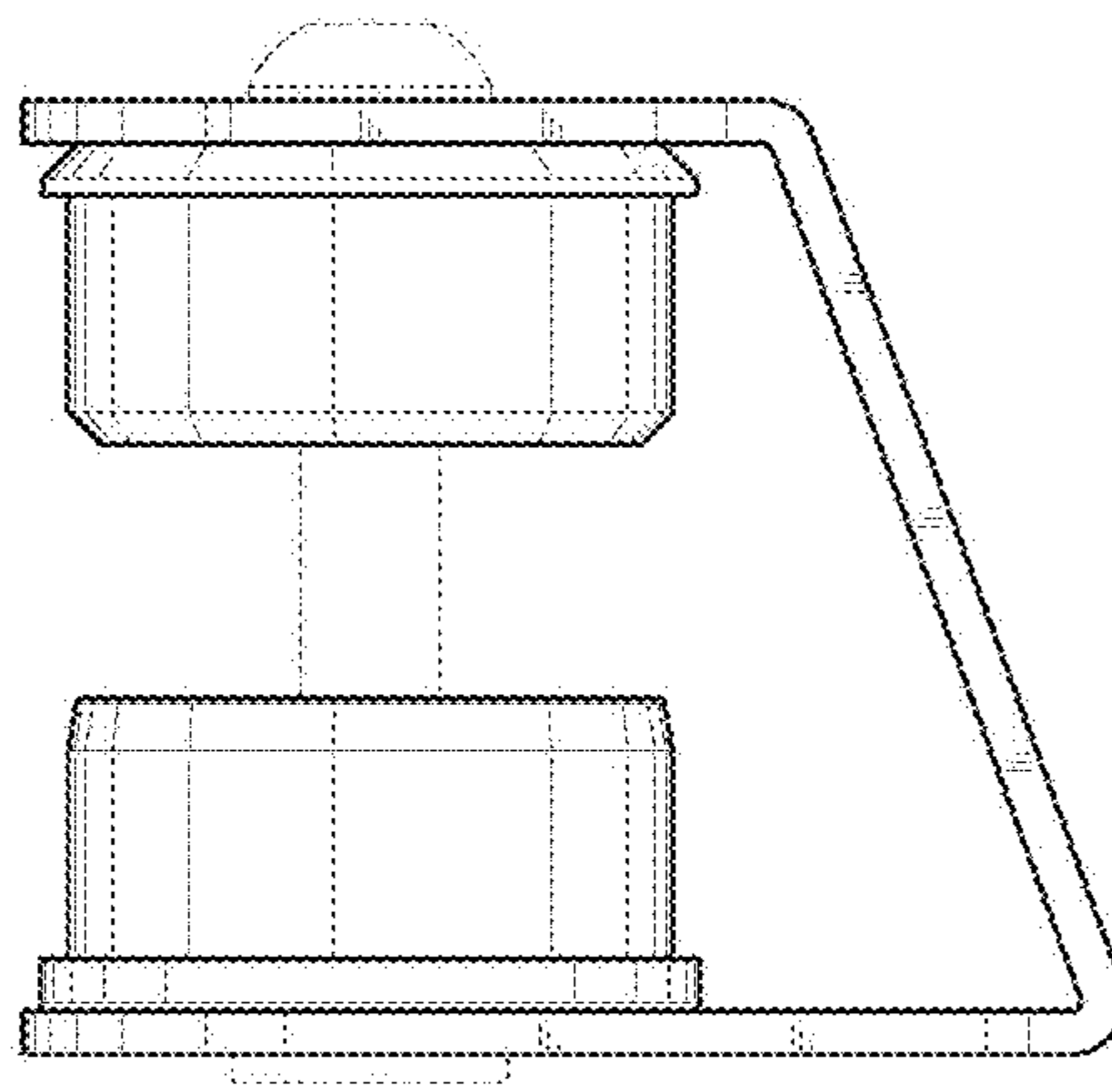
1 Claim, 7 Drawing Sheets



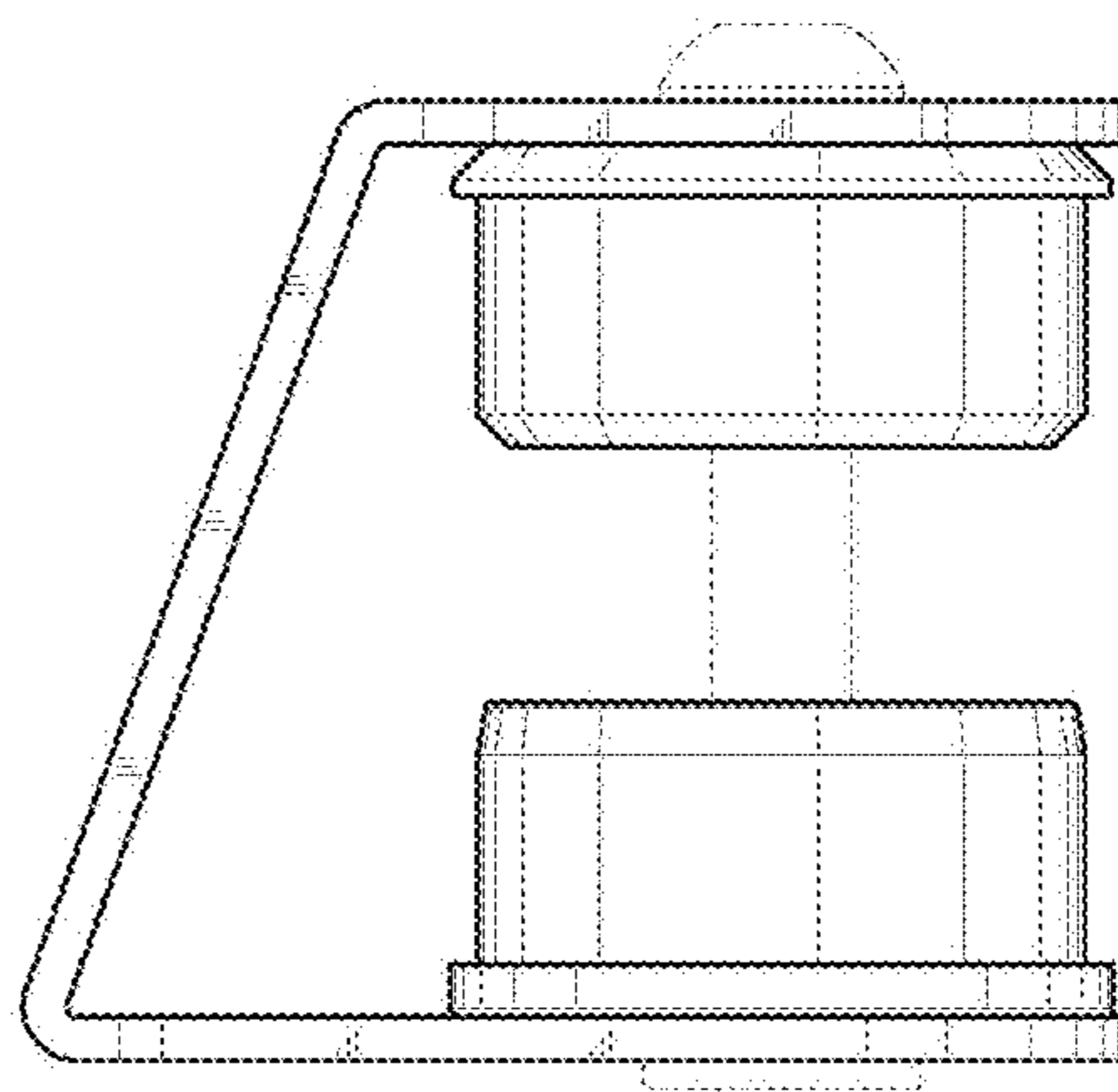
1.1



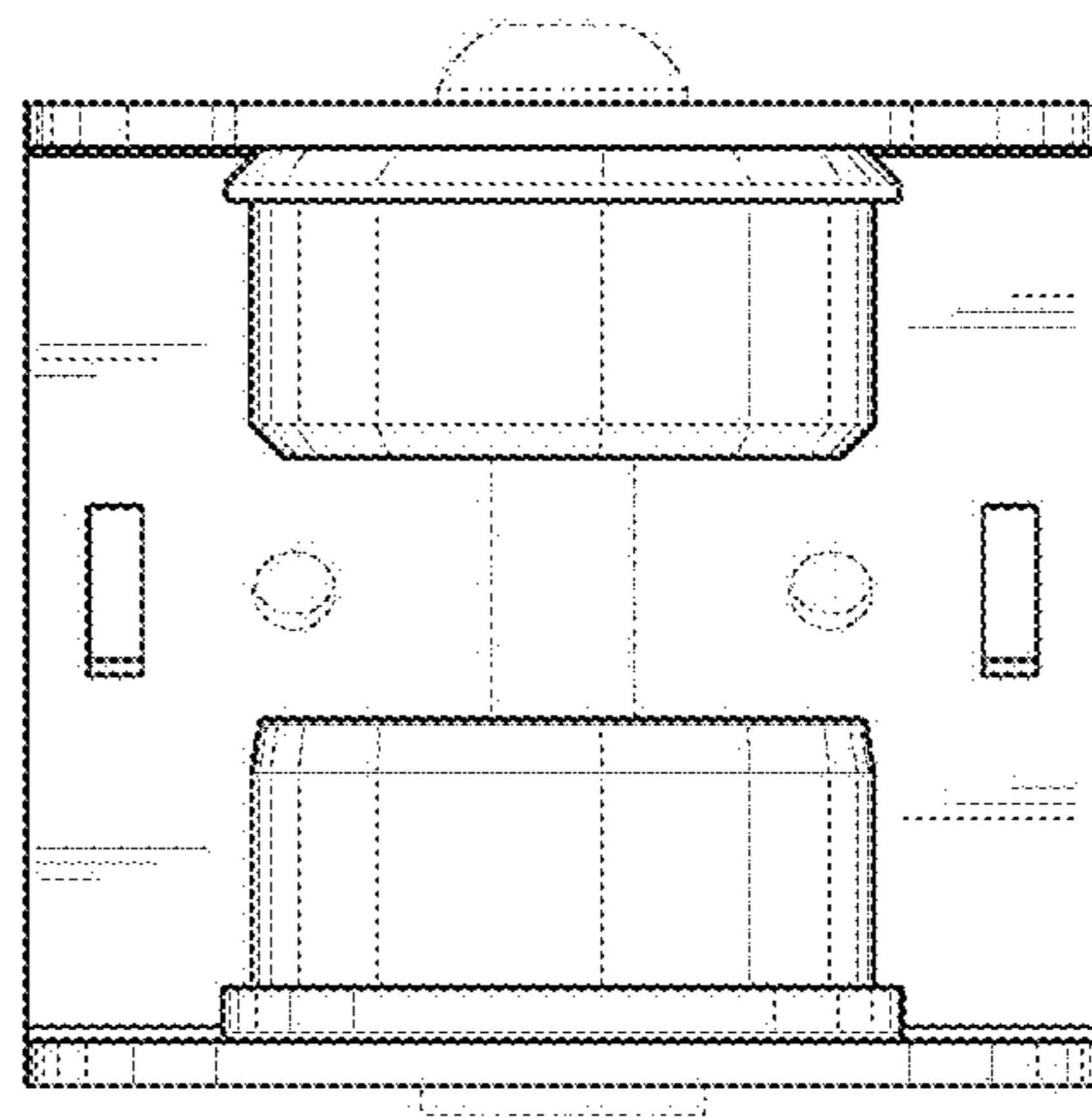
1.2



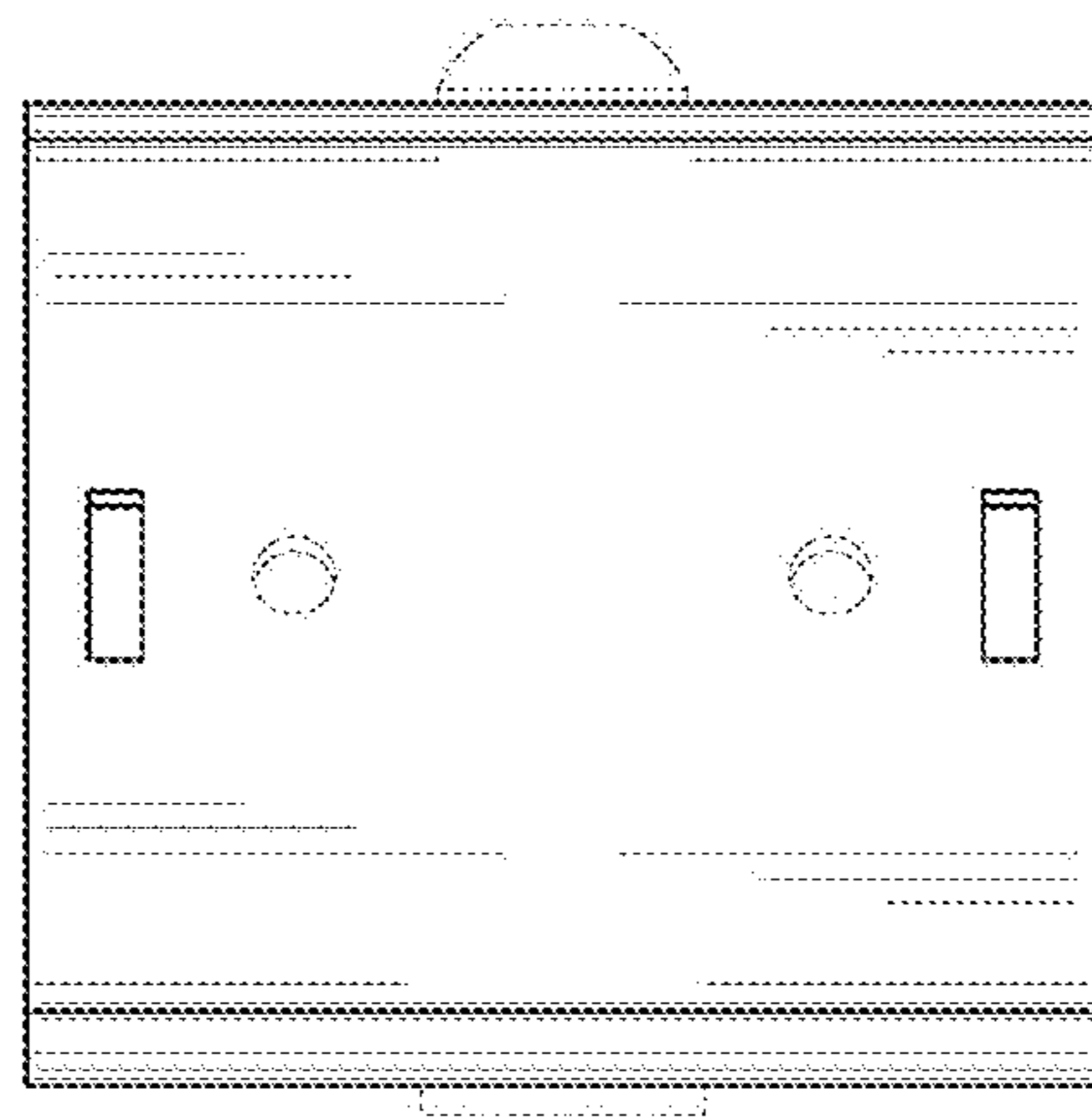
1.3



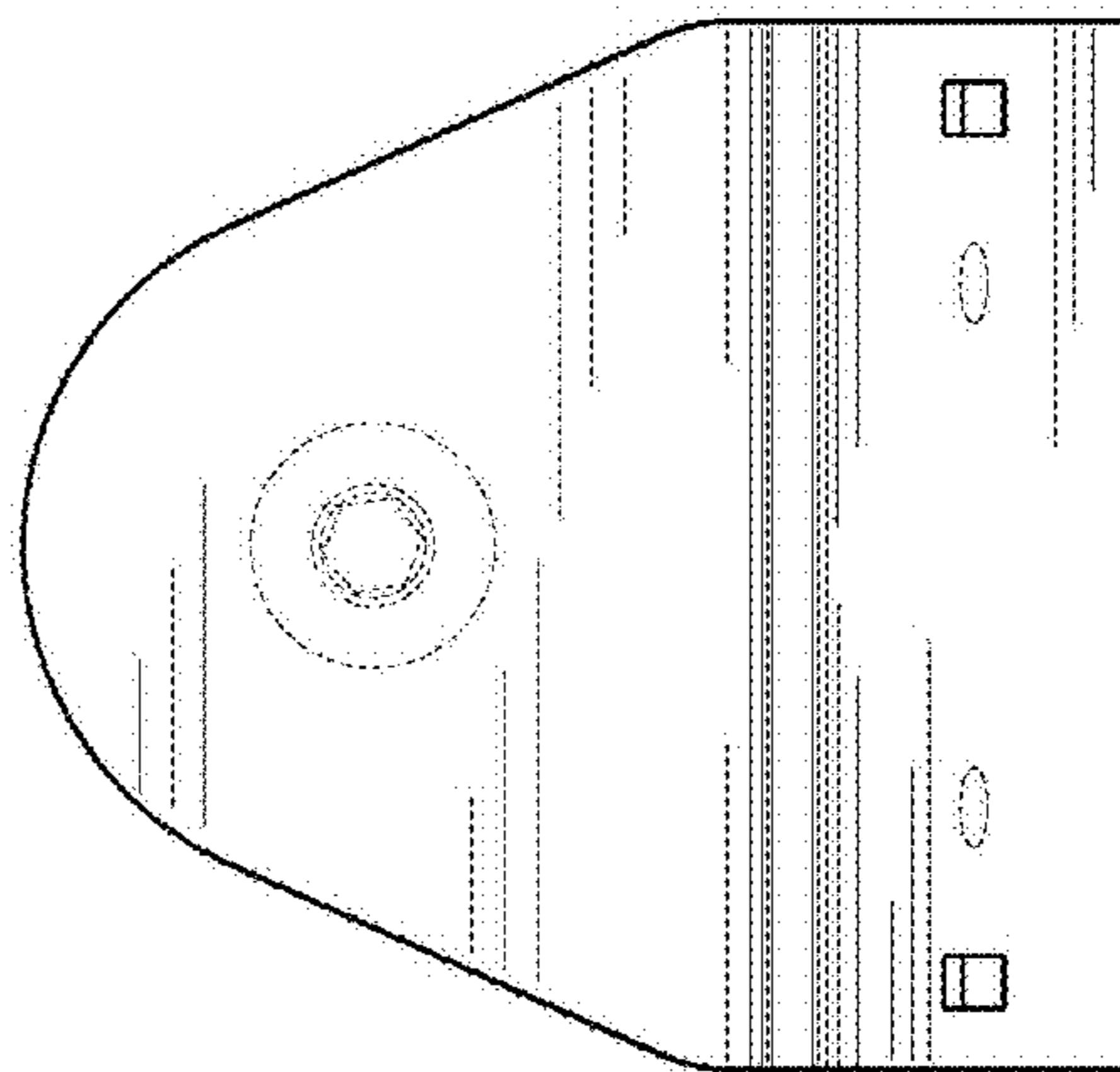
1.4



1.5



1.6



1.7

