



US00D945521S

(12) **United States Design Patent**
Tricoukes et al.

(10) **Patent No.:** **US D945,521 S**
(45) **Date of Patent:** **** Mar. 8, 2022**

- (54) **HEADS-UP DISPLAY MOUNT**
- (71) Applicant: **Symbol Technologies, LLC**,
Lincolnshire, IL (US)
- (72) Inventors: **Nicole Daphne Tricoukes**, Seaford, NY
(US); **JaeHo Choi**, Whitestone, NY
(US); **Curt D. Croley**, Stony Brook,
NY (US)
- (73) Assignee: **Symbol Technologies, LLC**, Holtsville,
NY (US)

5,003,300 A 3/1991 Wells
 5,386,254 A * 1/1995 Kahaney G02C 3/003
 351/116
 5,695,621 A 12/1997 Robinson et al.
 D389,826 S * 1/1998 Cousins D14/135
 5,767,820 A 6/1998 Bassett et al.
 6,046,712 A 4/2000 Beller et al.
 6,157,291 A 12/2000 Kuenster
 6,181,304 B1 1/2001 Robinson et al.
 6,234,446 B1 5/2001 Patterson
 6,260,987 B1 7/2001 Wu

(Continued)

(**) Term: **15 Years**

(21) Appl. No.: **29/698,650**

(22) Filed: **Jul. 18, 2019**

Related U.S. Application Data

(63) Continuation of application No. 15/188,583, filed on
Jun. 21, 2016, now abandoned.

(51) **LOC (13) Cl.** **16-06**

(52) **U.S. Cl.**
USPC **D16/330**

(58) **Field of Classification Search**
 USPC 351/43, 44-47, 49, 59, 63, 69, 104, 123,
 351/126, 131, 132, 135, 145; D16/101,
 D16/300-342; D29/108-110; D14/372
 CPC G02C 5/22; G02C 5/2218; G02C 5/2236;
 G02C 5/2245; G02C 5/2254; G02C
 5/2272; G02C 5/14; G02C 5/143; G02C
 5/146; G02C 5/18; G02C 5/20; G02C
 5/12; G02C 5/124; G02C 5/126; G02C
 11/02; G02C 11/06; G02C 7/10; G02C
 9/04; A61F 9/00

See application file for complete search history.

(56) **References Cited**

U.S. PATENT DOCUMENTS

3,336,598 A * 8/1967 Aebersold A42B 3/185
 2/10
 RE30,662 E 6/1981 Foley

FOREIGN PATENT DOCUMENTS

CN 304057377 * 2/2017

OTHER PUBLICATIONS

Regenold, Stephen, "Modular 'FAST' Shades from Adidas Put to Test," GEARJUNKIE, dated Sep. 22, 2011, retrieved from the Internet on Aug. 30, 2016 from <<https://gearjunkie.com/adidas-eyewear-fast-glasses.com>>. available in U.S. Appl. No. 15/188,583 to which priority is claimed.

Primary Examiner — Sanjeev Paul

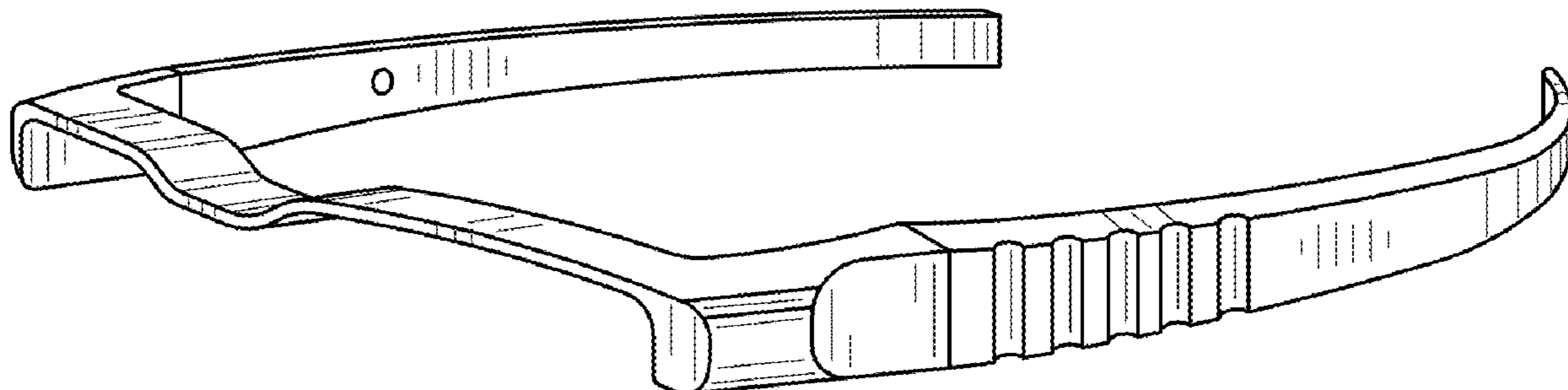
(57) **CLAIM**

We claim the ornamental design for a heads-up display mount, as shown and described.

DESCRIPTION

FIG. 1 is a top perspective view of a heads-up display mount;
 FIG. 2 is a bottom perspective view thereof;
 FIG. 3 is a bottom perspective view thereof; and,
 FIG. 4 is a front view thereof.
 The broken lines shown in the drawings represent portions of the heads-up display mount that form no part of the claimed design.

1 Claim, 2 Drawing Sheets



(56)

References Cited

U.S. PATENT DOCUMENTS

6,327,738 B1 12/2001 Lewis
 6,359,602 B1 3/2002 Amafuji et al.
 D458,287 S * 6/2002 Huang D16/135
 6,496,161 B1 12/2002 Tanaka
 D475,731 S * 6/2003 Lee D16/314
 D475,733 S * 6/2003 Lee D16/335
 6,771,424 B1 8/2004 Amafuji et al.
 D508,068 S * 8/2005 Hsu D16/315
 D523,461 S * 6/2006 Jannard D16/309
 7,091,928 B2 8/2006 Rajasingham
 7,542,012 B2 6/2009 Kato et al.
 7,956,822 B2 6/2011 Nakabayashi et al.
 8,072,393 B2 12/2011 Riechel
 8,237,627 B2 8/2012 Makabayashi et al.
 8,289,231 B2 10/2012 Budd et al.
 D679,313 S * 4/2013 Bachelder D16/315
 8,520,860 B2 8/2013 Wulff et al.
 D710,427 S * 8/2014 Kim D14/372
 D711,456 S * 8/2014 Heinrich D16/300
 D711,949 S * 8/2014 Koenck D16/130
 8,810,482 B2 8/2014 Abdollahi
 D716,365 S * 10/2014 Yamano D16/309
 D716,807 S * 11/2014 Yeom D14/372
 D716,808 S * 11/2014 Yeom D14/372
 D719,952 S * 12/2014 Kim D14/372
 9,001,427 B2 4/2015 Jacobs
 D732,025 S * 6/2015 Heinrich D14/372
 D733,211 S * 6/2015 Mehin D16/315
 9,134,534 B2 9/2015 Border
 9,366,871 B2 6/2016 Ghosh
 D793,391 S * 8/2017 Nakagawa D14/372
 D798,862 S * 10/2017 Wang D14/372
 9,851,567 B2 12/2017 Cazalet
 9,885,871 B2 2/2018 Abdollahi
 D813,231 S * 3/2018 Yoshida D14/372
 D840,454 S * 2/2019 Han D16/130

D847,893 S * 5/2019 Muir D16/309
 D883,371 S * 5/2020 Rubins D16/314
 2002/0122014 A1 9/2002 Rajasingham
 2004/0021619 A1 2/2004 Kiyokawa
 2004/0080467 A1 4/2004 Chinthammit et al.
 2005/0168824 A1* 8/2005 Travers G02B 27/0176
 359/630
 2005/0219152 A1* 10/2005 Budd G02B 27/0172
 345/8
 2006/0090246 A1 5/2006 Cozens et al.
 2006/0119539 A1 6/2006 Kato et al.
 2006/0132382 A1 6/2006 Jannard
 2006/0238878 A1 10/2006 Miyake et al.
 2007/0013611 A1 1/2007 Nakabayashi et al.
 2007/0223766 A1 9/2007 Davis et al.
 2008/0291277 A1 11/2008 Jacobsen et al.
 2009/0073083 A1 3/2009 Miyakwawa et al.
 2009/0117890 A1 5/2009 Jacobsen et al.
 2009/0128448 A1 5/2009 Riechel
 2009/0128450 A1 5/2009 Nakabayashi et al.
 2009/0213038 A1 8/2009 Huang
 2009/0323979 A1 12/2009 Leske et al.
 2010/0014699 A1 1/2010 Anderson et al.
 2010/0073262 A1 3/2010 Matsumoto
 2010/0079356 A1 4/2010 Hoellwarth
 2010/0188314 A1 7/2010 Miyake et al.
 2011/0089207 A1 4/2011 Tricoukes et al.
 2011/0090135 A1 4/2011 Tricoukes et al.
 2012/0114131 A1 5/2012 Tricoukes et al.
 2012/0236030 A1 9/2012 Border
 2012/0326948 A1 12/2012 Crocco
 2013/0321925 A1 12/2013 Jacobs
 2013/0322683 A1 12/2013 Jacobs
 2014/0063436 A1 3/2014 Breti et al.
 2014/0139407 A1 5/2014 Abdollahi et al.
 2015/0103304 A1 4/2015 Darcy
 2015/0192774 A1 7/2015 Watanabe et al.
 2016/0266401 A1* 9/2016 Wong G02C 1/08
 2017/0176770 A1* 6/2017 Wang Lee G02C 5/143

* cited by examiner

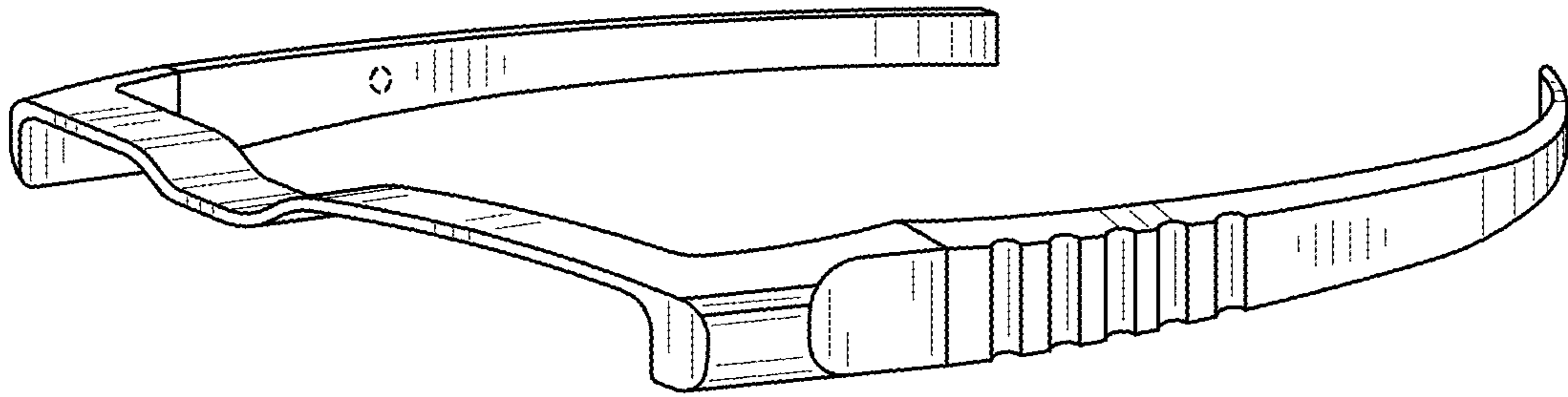


FIG. 1

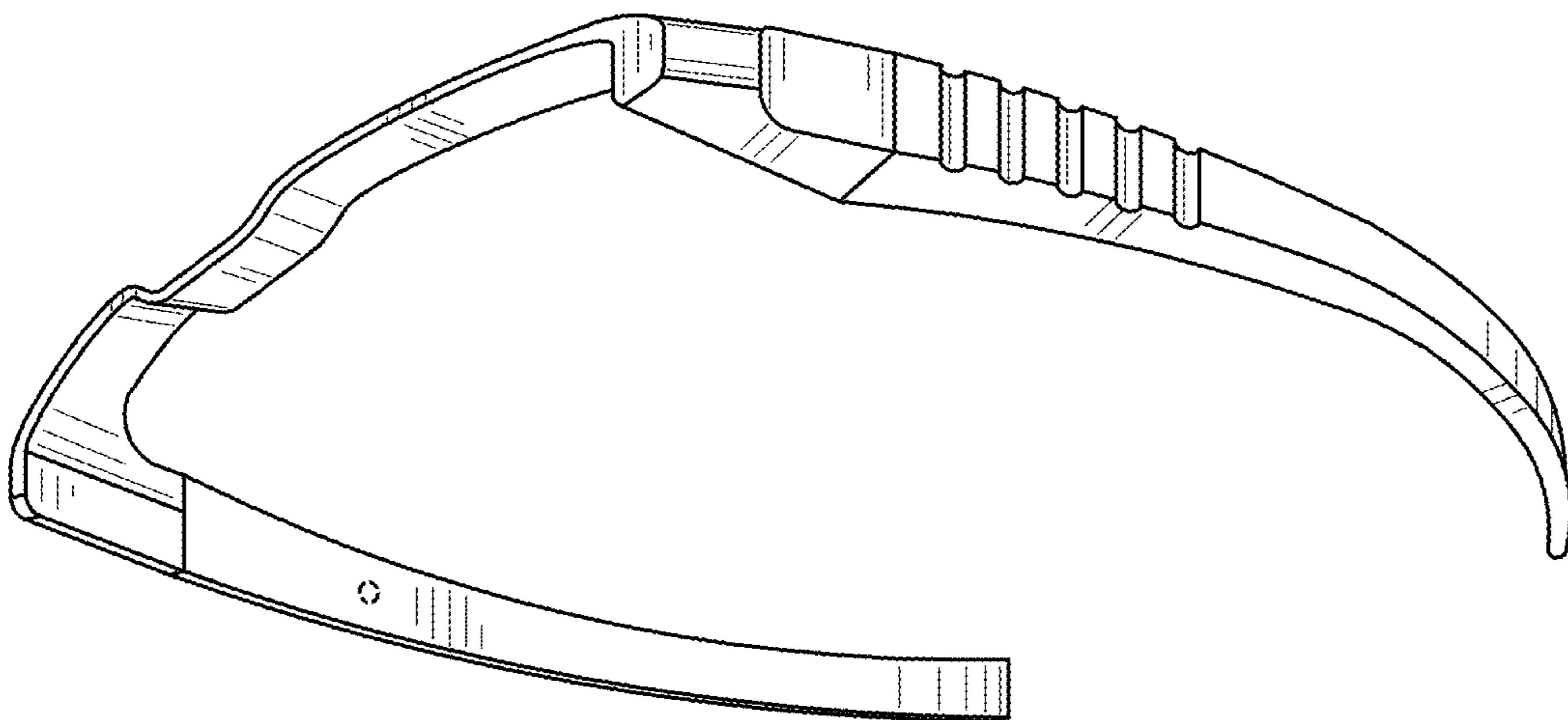


FIG. 2

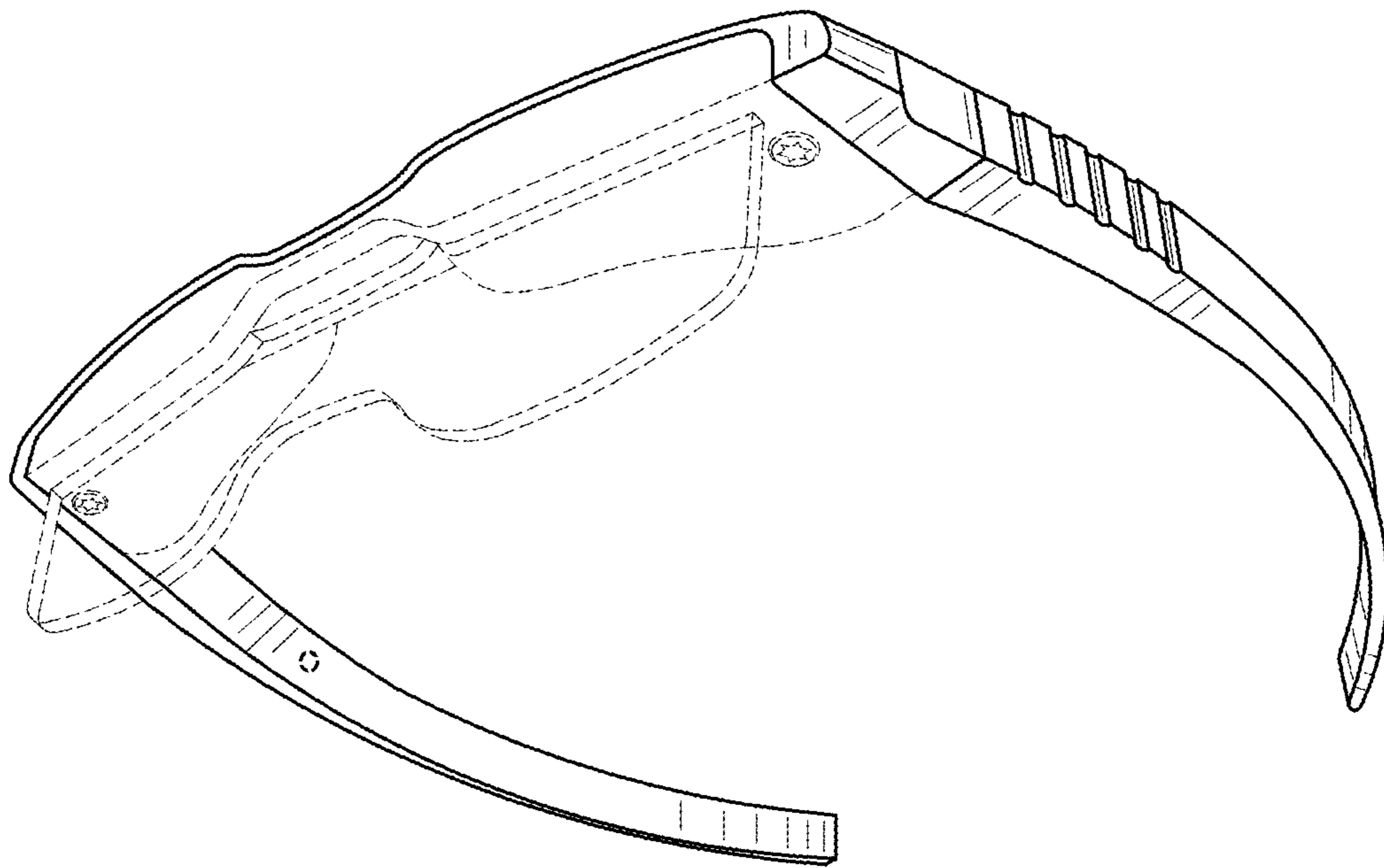


FIG. 3

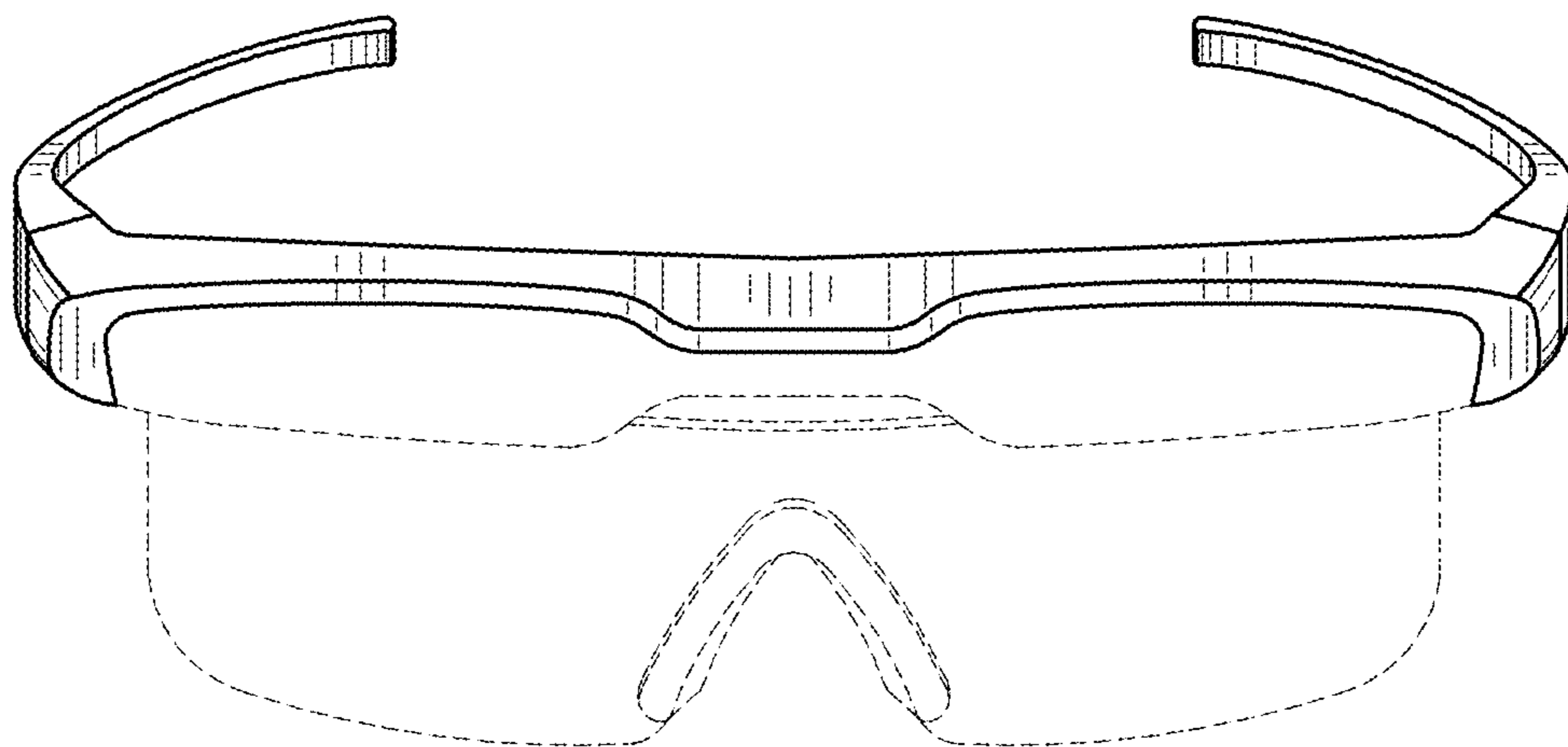


FIG. 4