



US00D945519S

(12) **United States Design Patent**
Liang

(10) **Patent No.:** **US D945,519 S**

(45) **Date of Patent:** **** *Mar. 8, 2022**

(54) **SKI GOGGLES**

(71) Applicant: **Chuanqing Liang**, Guangzhou (CN)

(72) Inventor: **Chuanqing Liang**, Guangzhou (CN)

(*) Notice: This patent is subject to a terminal disclaimer.

(**) Term: **15 Years**

(21) Appl. No.: **29/705,526**

(22) Filed: **Sep. 12, 2019**

(51) **LOC (13) Cl.** **16-06**

(52) **U.S. Cl.**
USPC **D16/312**

(58) **Field of Classification Search**
USPC 2/426-432, 435, 436, 437, 438, 439,
2/440-454; 351/43, 44-47, 49, 59, 63,
351/69, 104, 123, 126, 131, 132, 135,
351/145; D16/101, 300-342;
D29/108-110; D21/695-661; D14/372
CPC A63B 33/00; A63B 33/002; A61M
2021/0044; G01C 5/16; G02C 1/06;
G02C 5/146; G02C 5/2254; G02C 5/008;
G02C 5/14; G02C 5/16; G02C 11/02;
G02C 11/04; G02C 2200/08; G02C
2200/22

See application file for complete search history.

(56) **References Cited**

U.S. PATENT DOCUMENTS

4,043,637	A *	8/1977	Hovey	A61F 9/023 359/241
5,297,298	A *	3/1994	Salatka	G02C 1/02 2/447
D439,596	S *	3/2001	Bolle	D16/312
D510,378	S *	10/2005	Dondero	D16/312
D519,147	S *	4/2006	Moritz	D16/312
D578,562	S *	10/2008	Moritz	D16/312
D616,914	S *	6/2010	Moritz	D16/312

D629,034	S *	12/2010	McNeal	A61F 9/027 D16/312
D629,035	S *	12/2010	Moritz	D16/312
D640,724	S *	6/2011	Goodman	D16/312

(Continued)

FOREIGN PATENT DOCUMENTS

EM	006859419-0001	*	9/2019
GB	6070829	*	9/2019

OTHER PUBLICATIONS

Google search: "ski goggles" [site visited Sep. 14, 2020]: https://www.google.com/search?q=ski+goggles&sxsr=A61F9027D16312&source=lnms&tbm=isch&sa=X&ved=2ahUKewi9utOC6-frAhWXoXIEHV00B8YQ_AUoAnoECBkQBA&biw=1920&bih=937 (Year: 2020).*

(Continued)

Primary Examiner — Sanjeev Paul
(74) *Attorney, Agent, or Firm* — Zihua Han; Wen IP LLC

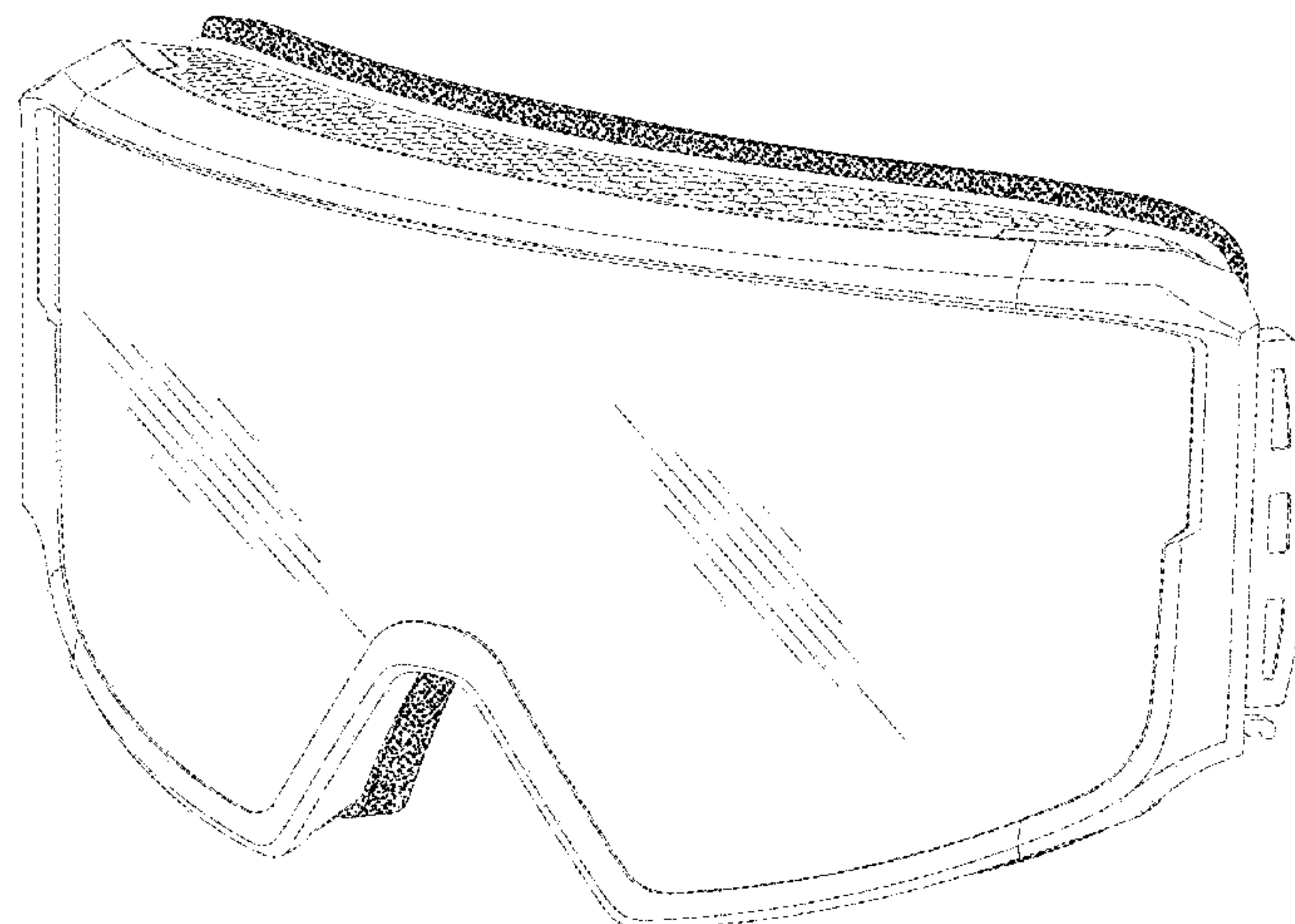
(57) **CLAIM**

I claim the ornamental design for the ski goggles, as shown and described.

DESCRIPTION

FIG. 1 is a prospective view of the ski goggles showing my new design;
FIG. 2 is a front elevational view thereof;
FIG. 3 is a rear elevational view thereof;
FIG. 4 is a left side elevational view thereof;
FIG. 5 is a right side elevational view thereof;
FIG. 6 is a top plan view thereof; and,
FIG. 7 is a bottom plan view thereof.
The shade lines in the Figures show contour and not surface ornamentation.
The broken lines in the drawings show unclaimed portions of the ski goggles and form no part of the claimed design.

(Continued)



The stippled shading in the drawing disclosure represents a contrast in appearance between stippled and non-stippled areas, not surface ornamentation, and forms no part of the claim.

1 Claim, 7 Drawing Sheets

D837,873	S	*	1/2019	Lussier	D16/330
D847,248	S	*	4/2019	Liang	D16/313
D862,570	S	*	10/2019	Frosi	D16/313
D868,878	S	*	12/2019	Langenwalter	D16/312
D872,168	S	*	1/2020	Zhang	D16/312
D872,169	S	*	1/2020	Yong	D16/312
D874,459	S	*	2/2020	Limaye	D14/372
D880,574	S	*	4/2020	Liang	D16/312
D885,385	S	*	5/2020	Jiang	D14/372

(56)

References Cited

U.S. PATENT DOCUMENTS

D649,577	S	*	11/2011	Goodman	D16/312
D653,686	S	*	2/2012	Tobia	D16/101
D653,695	S	*	2/2012	Tobia	D16/312
8,893,314	B2	*	11/2014	Chen	A61F 9/025 2/441
D800,825	S	*	10/2017	Frosi	D16/313
D829,810	S	*	10/2018	Nellestam	D16/313
D834,087	S	*	11/2018	Yoo	D16/313

OTHER PUBLICATIONS

Google search: "snow goggles" [site visited Sep. 14, 2020]: https://www.google.com/search?q=snow+goggles&sxsrf=ALeKk02lhSpTbeXoXyiD23SmeiuPq590rg:1600061453595&source=lnms&tbm=isch&sa=X&ved=2ahUKEwj_r7209efrAhV1lnlEHAD6AuQQ_AUoAnoECBkQBA&biw=1200&bih=1777 (Year: 2020).*

Oakley Men's Snow Goggles, [online], [site visited Sep. 14, 2020]. Available from Internet, <URL: <https://www.oakley.com/en-us/category/men/goggles-helmets/snow-goggles>> (Year: 2020).*

* cited by examiner

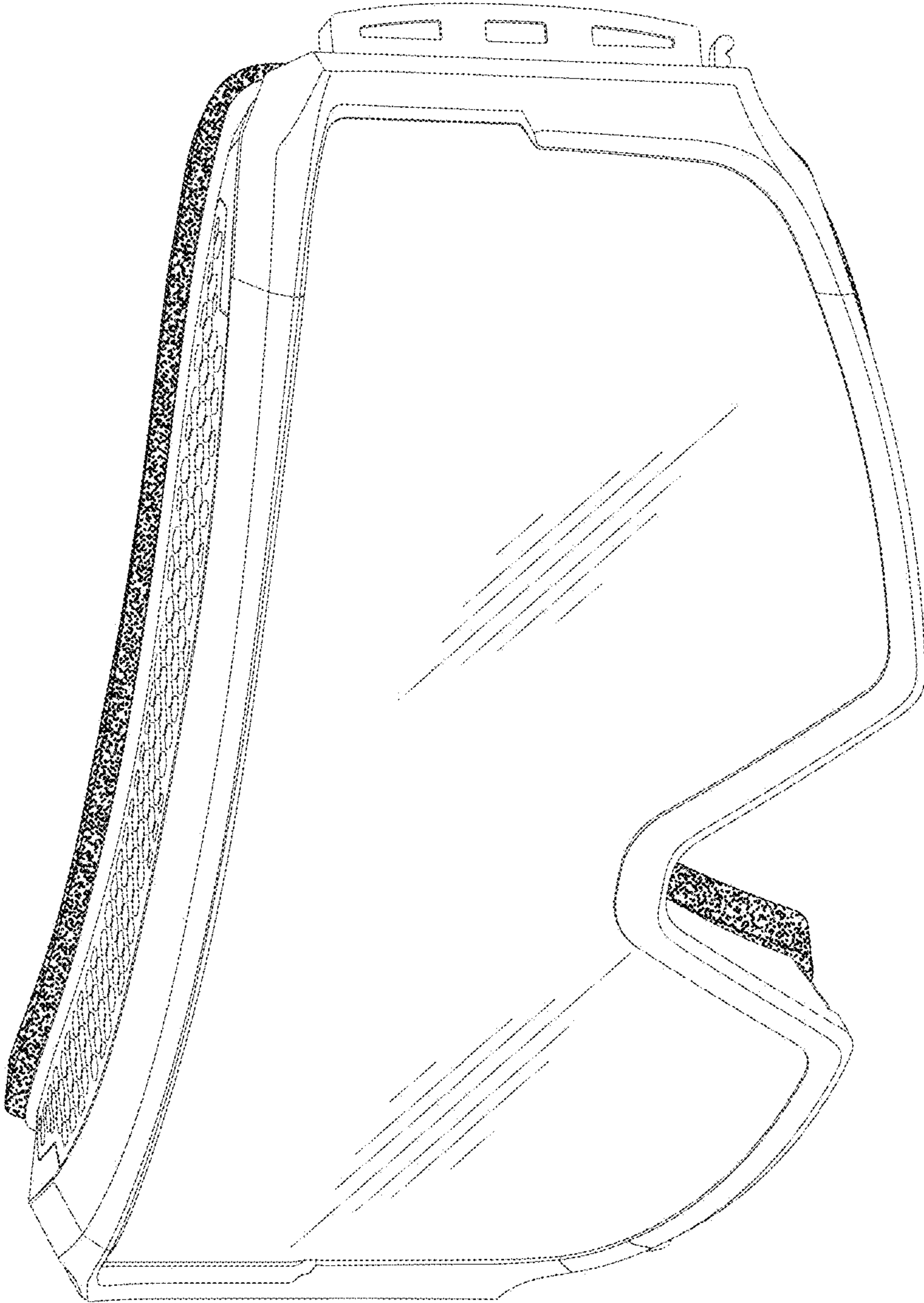


FIG. 1

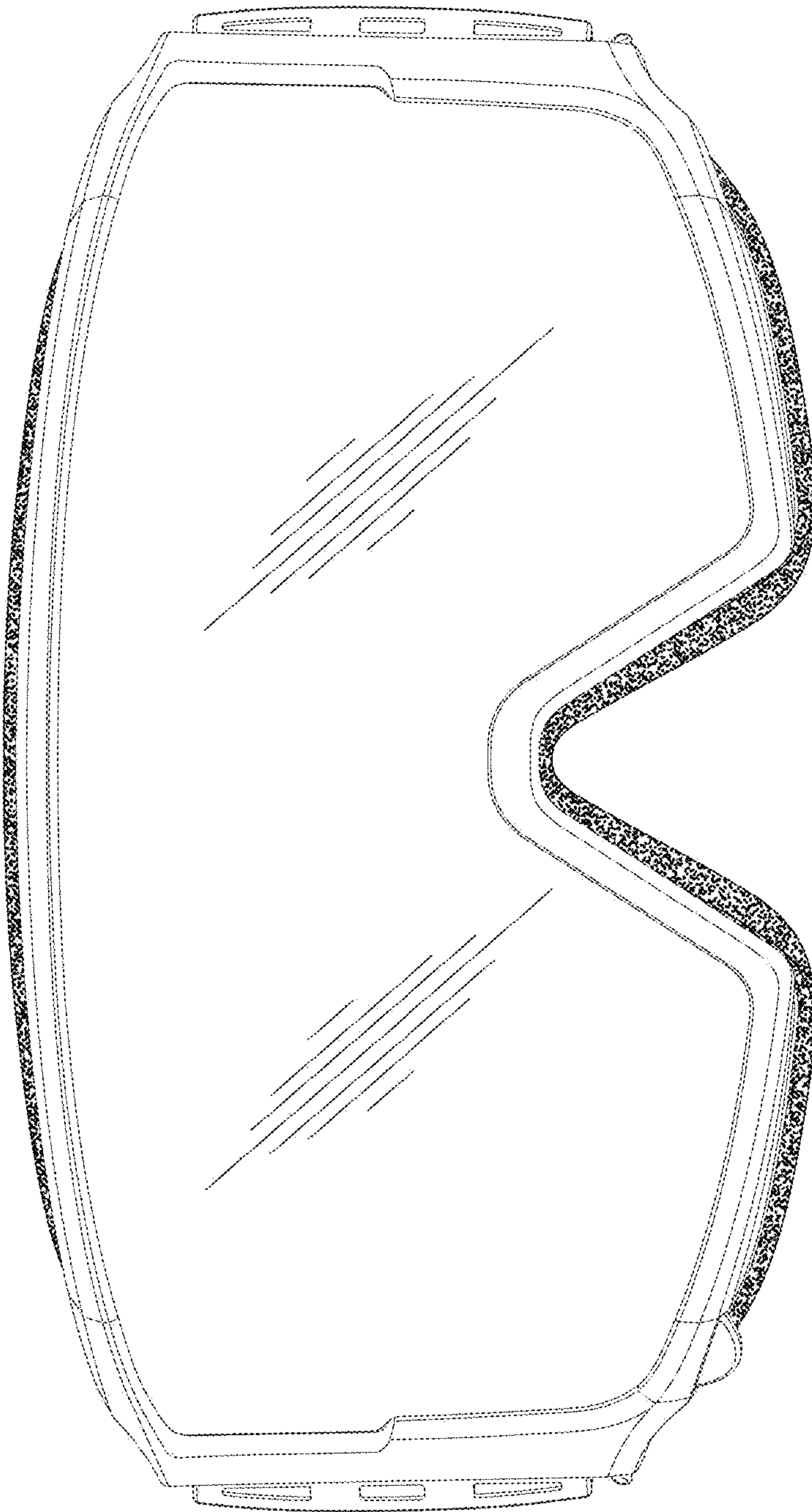


FIG. 2

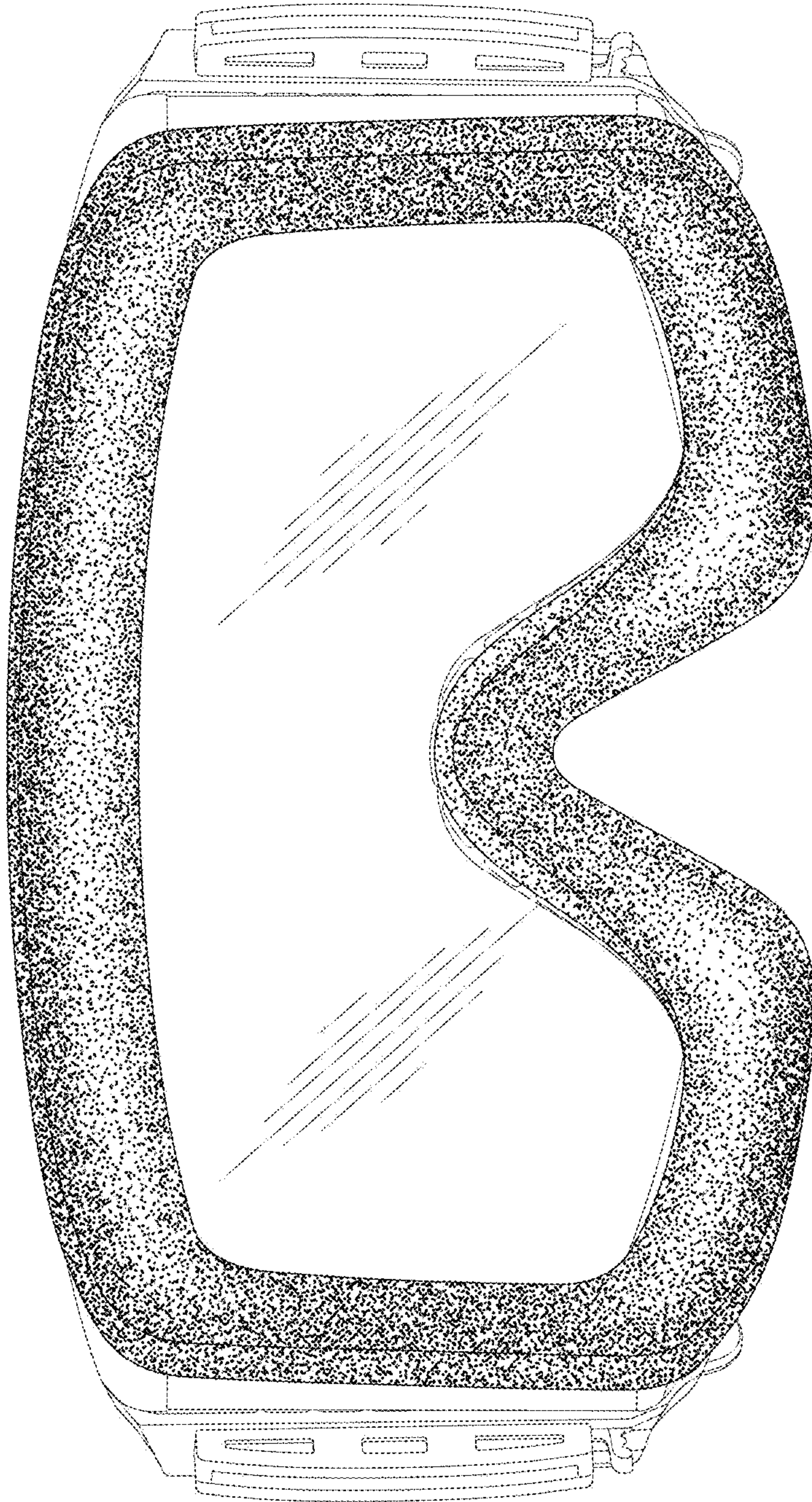


FIG. 3

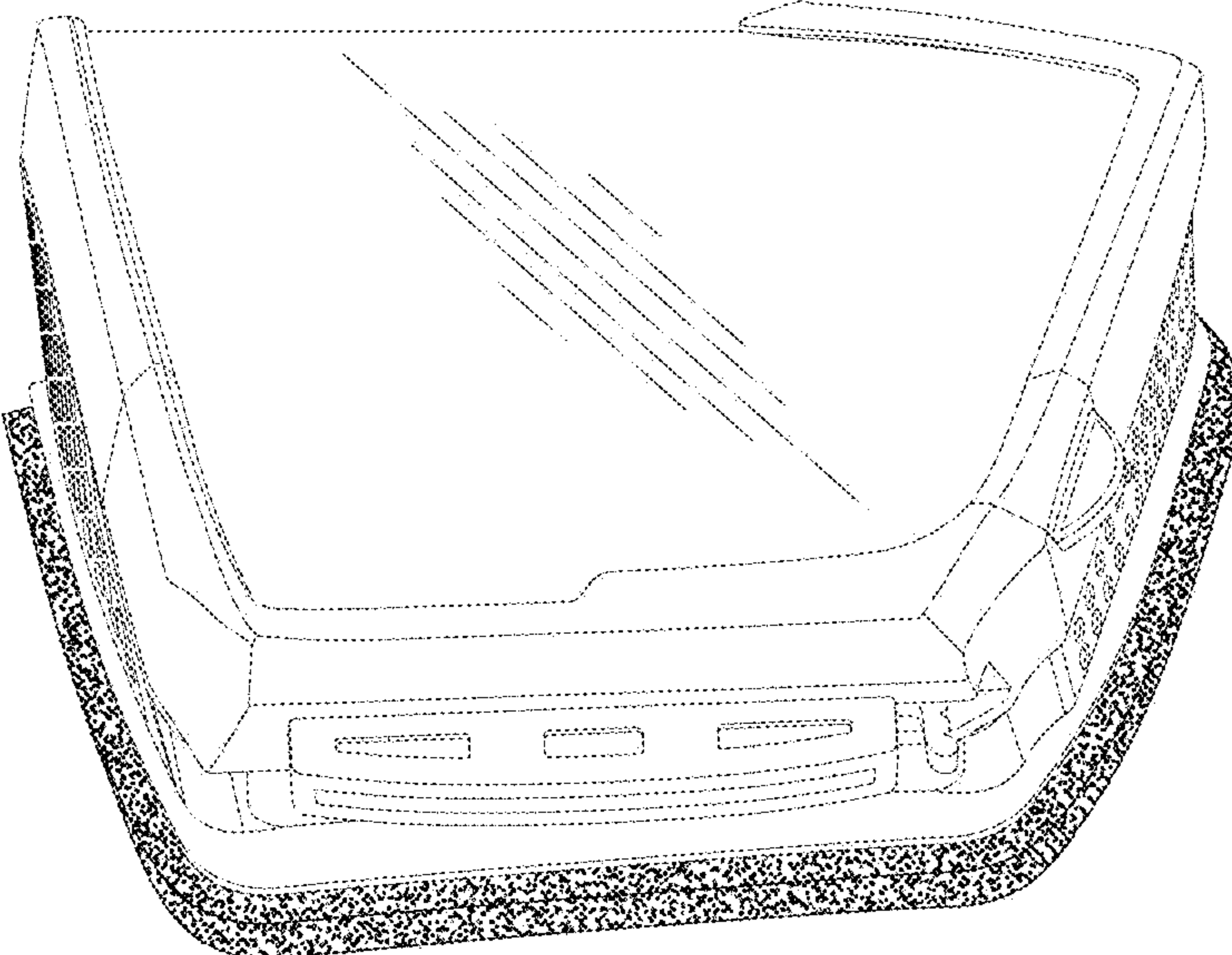


FIG. 4

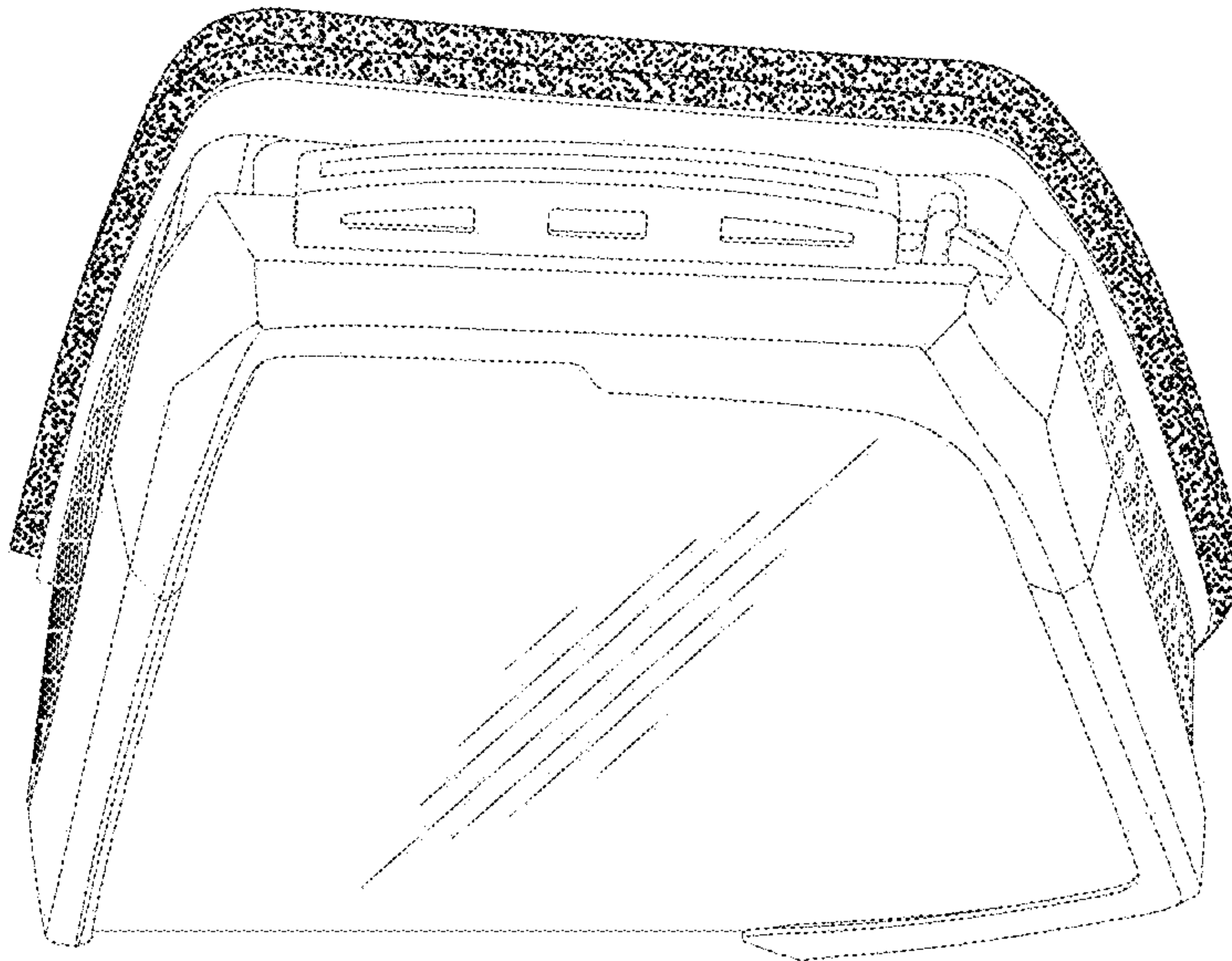


FIG. 5

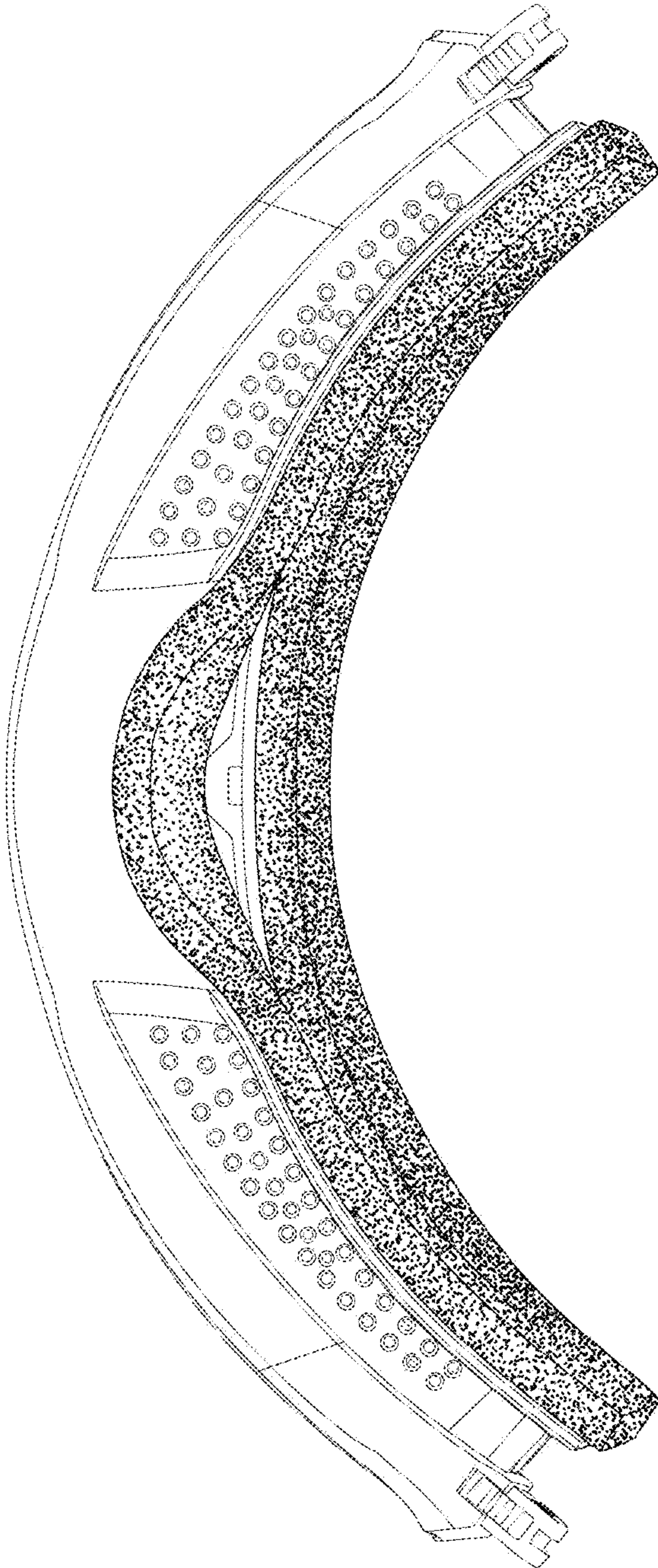


FIG. 6

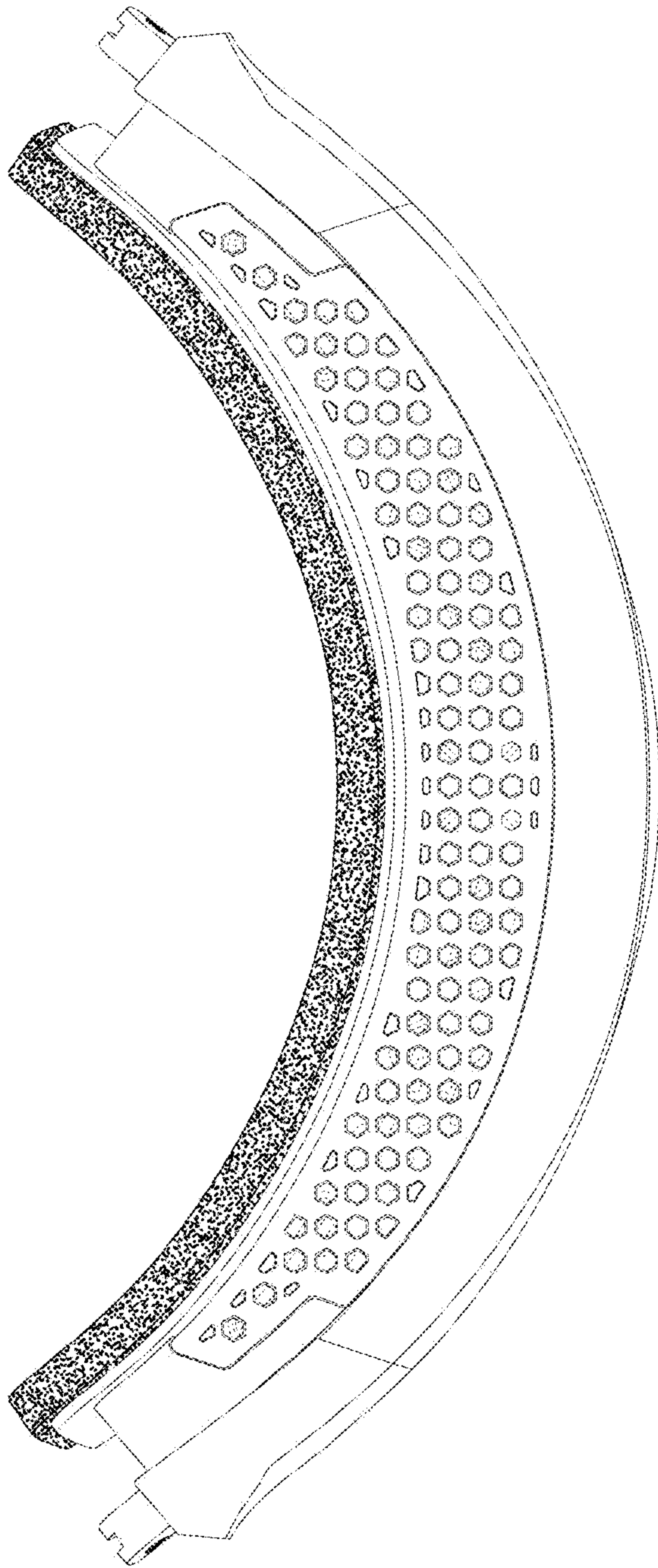


FIG. 7