



US00D945518S

(12) **United States Design Patent** (10) **Patent No.:** **US D945,518 S**
Hintermann et al. (45) **Date of Patent:** **** Mar. 8, 2022**

(54) **ELECTRONIC GLASSES**

(71) Applicants: **Mathias Hintermann**, Los Angeles, CA (US); **Tanatip Arunanondchai**, Los Angeles, CA (US); **Jinwoo Kim**, Culver City, CA (US); **Evan Spiegel**, Los Angeles, CA (US)

(72) Inventors: **Mathias Hintermann**, Los Angeles, CA (US); **Tanatip Arunanondchai**, Los Angeles, CA (US); **Jinwoo Kim**, Culver City, CA (US); **Evan Spiegel**, Los Angeles, CA (US)

(73) Assignee: **Snap Inc.**, Santa Monica, CA (US)

(**) Term: **15 Years**

(21) Appl. No.: **29/728,243**

(22) Filed: **Mar. 17, 2020**

(51) **LOC (13) Cl.** **16-06**

(52) **U.S. Cl.**
USPC **D16/300**

(58) **Field of Classification Search**
USPC D16/300, 309, 313, 314, 315, 320, 321, D16/325, 326
CPC G02C 11/10
See application file for complete search history.

(56) **References Cited**

U.S. PATENT DOCUMENTS

D158,970 S *	6/1950	Jonassen	D16/325
D204,566 S *	4/1966	Mitchell	D16/325
D628,616 S *	12/2010	Yuan	D16/306
D638,462 S *	5/2011	Bumgardner	D16/309
D716,365 S *	10/2014	Yamano	D16/309
D746,818 S *	1/2016	Cho	D14/372
D924,967 S *	7/2021	Jamin	D16/326

OTHER PUBLICATIONS

North Focals AR Glasses, posted at forbes.com, posting date Dec. 12, 2019, [online], [site visited Aug. 19, 2021]. Available from

Internet, URL: <https://www.forbes.com/sites/moorinsights/2019/12/12/what-norths-focals-ar-glasses-taught-me-about-augmented-reality/> (Year: 2019).*

Snap Spectacles, posted at theverge.com, posting date May 20, 2021, [online], [site visited Aug. 19, 2021]. Available from Internet, URL: <https://www.theverge.com/2021/5/20/22445481/snap-spectacles-ar-augmented-reality-announced> (Year: 2021).*

Vuzix AR smart glasses, posted at theverge.com, posting date Jan. 3, 2019, [online], [site visited Aug. 19, 2021]. Available from Internet, URL: <https://www.theverge.com/2019/1/3/18166018/vuzix-blade-ar-consumer-version-available-pricing-release-date-features-cs-2019> (Year: 2019).*

* cited by examiner

Primary Examiner — George D. Kirschbaum

Assistant Examiner — Maria J. Edwards

(74) *Attorney, Agent, or Firm* — Culhane Meadows

PLLC; Stephen J. Weed

(57) **CLAIM**

The ornamental design for electronic glasses, as shown and described.

DESCRIPTION

FIG. 1 is a perspective view showing the top, back and right sides of electronic glasses showing our new design;

FIG. 2 is a perspective view showing the top, back and right sides of the eyeglasses of FIG. 1 showing temples folded.

FIG. 3 is a top plan view of FIG. 2;

FIG. 4 is a front elevation view of FIG. 1;

FIG. 5 is a back elevation view thereof;

FIG. 6 is a left-side elevation view thereof;

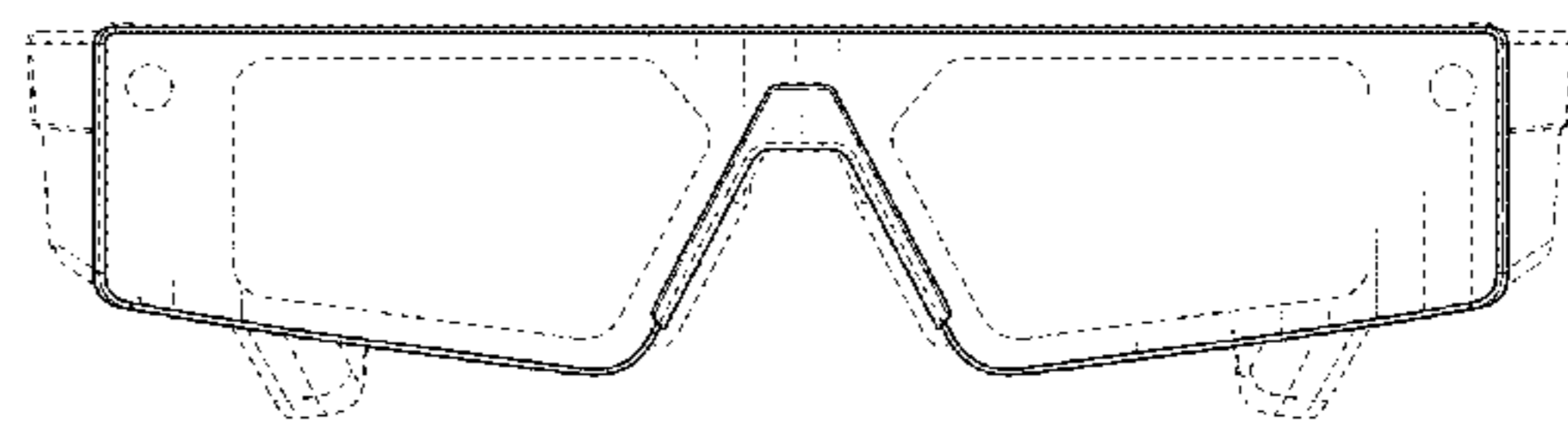
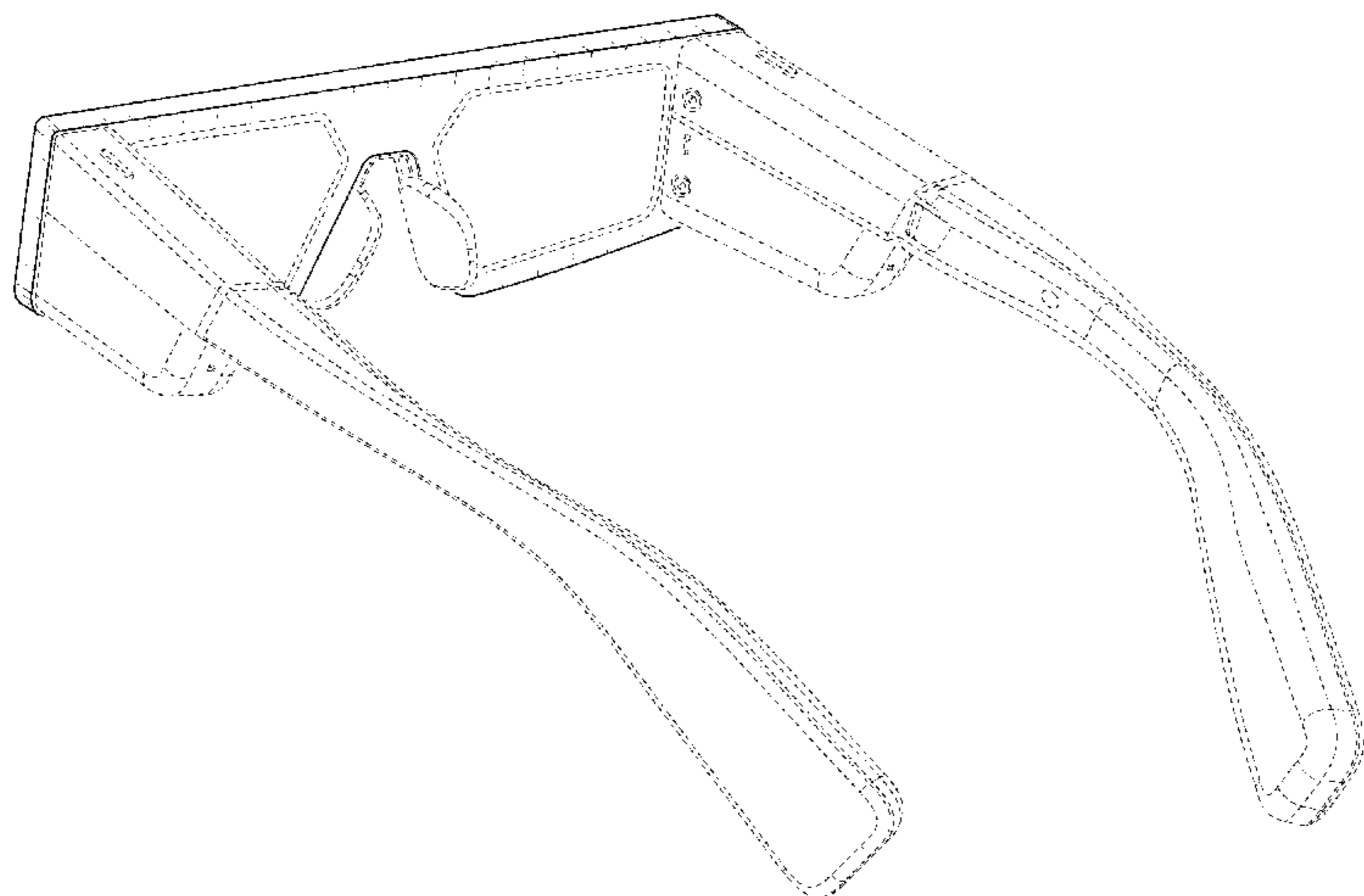
FIG. 7 is a right-side elevation view thereof;

FIG. 8 is a top plan view thereof; and,

FIG. 9 is a bottom plan view thereof.

The broken lines illustrate portions of the article and form no part of the claimed design.

1 Claim, 6 Drawing Sheets



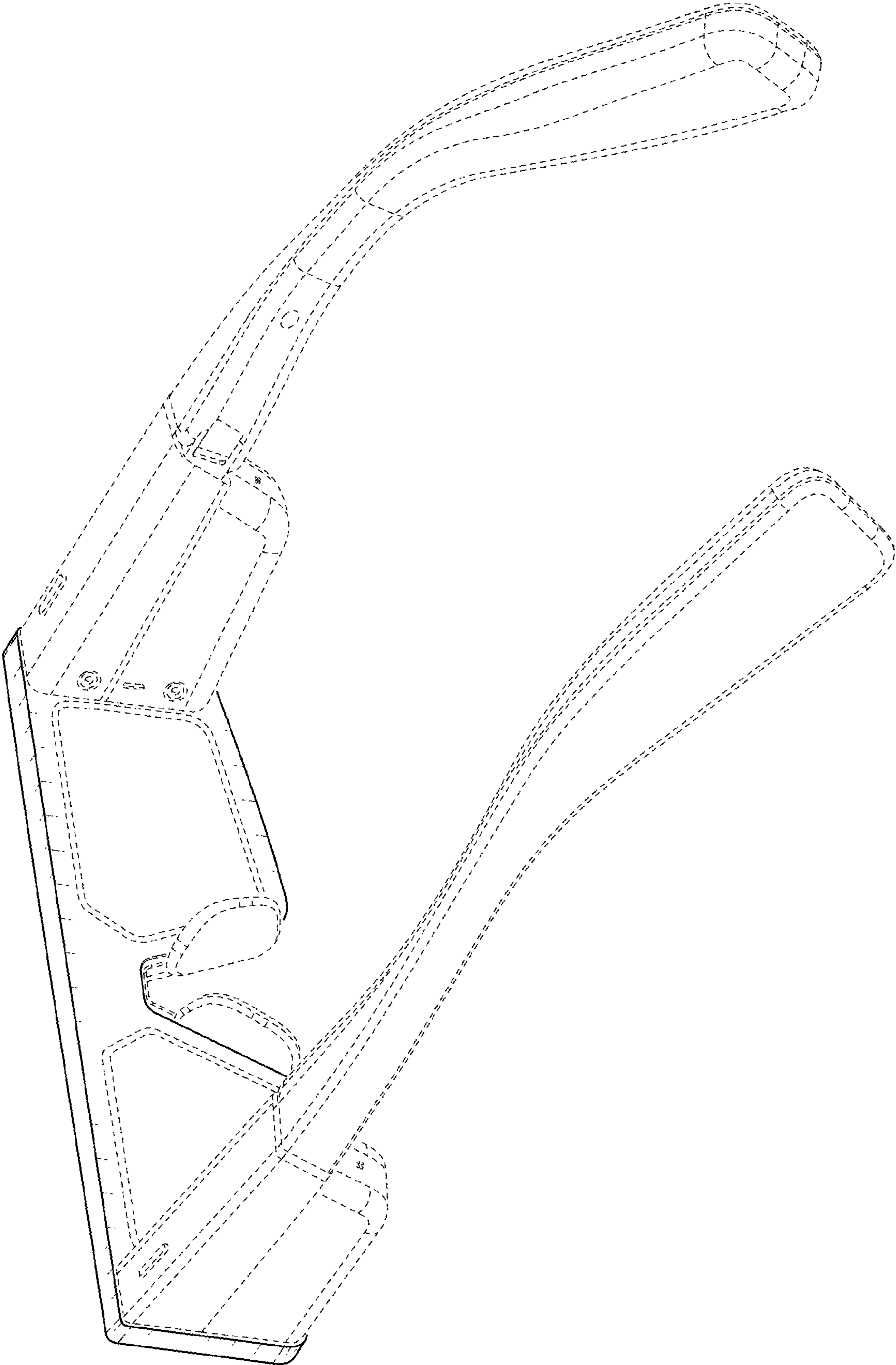


FIG. 1

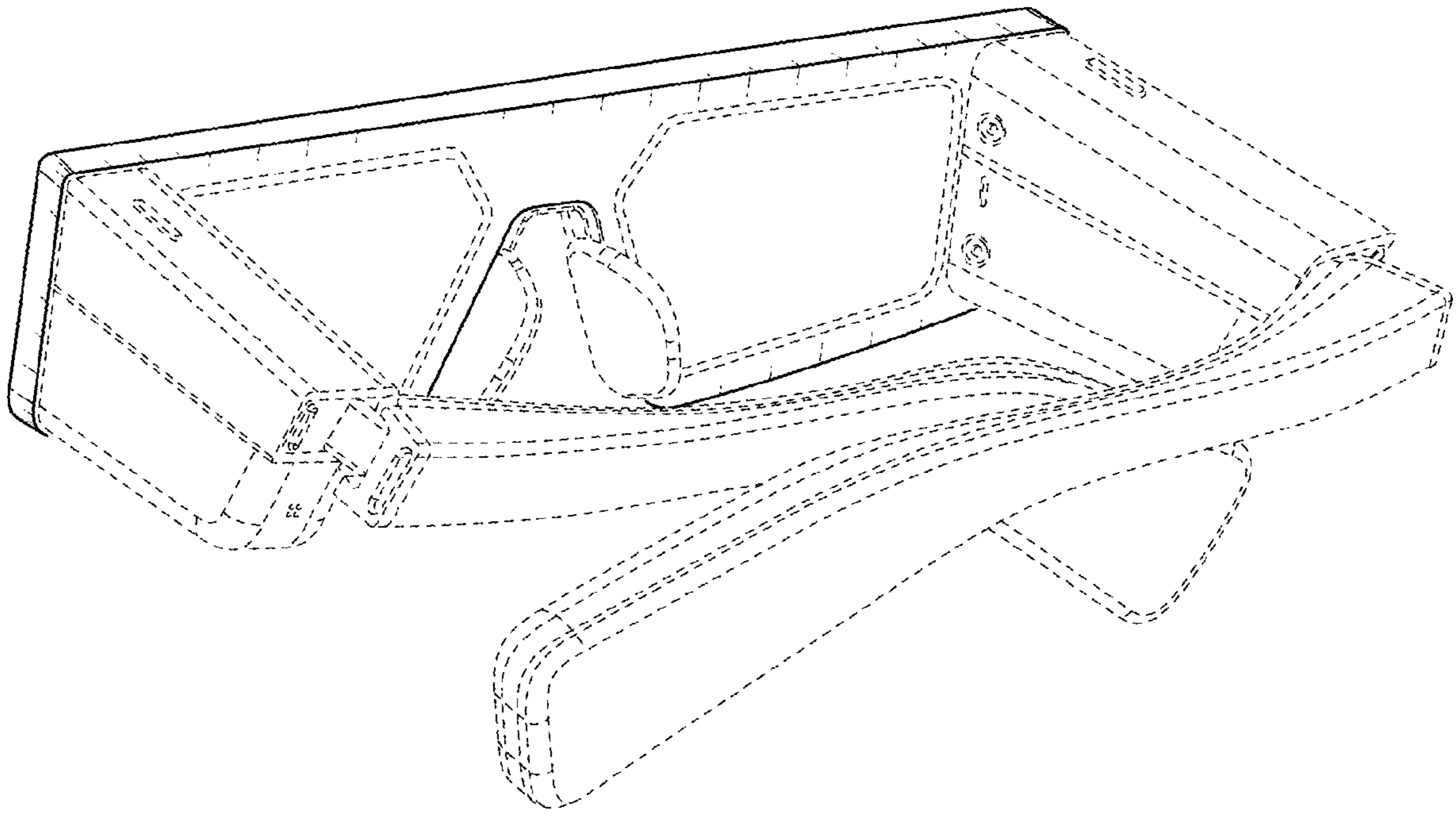


FIG. 2

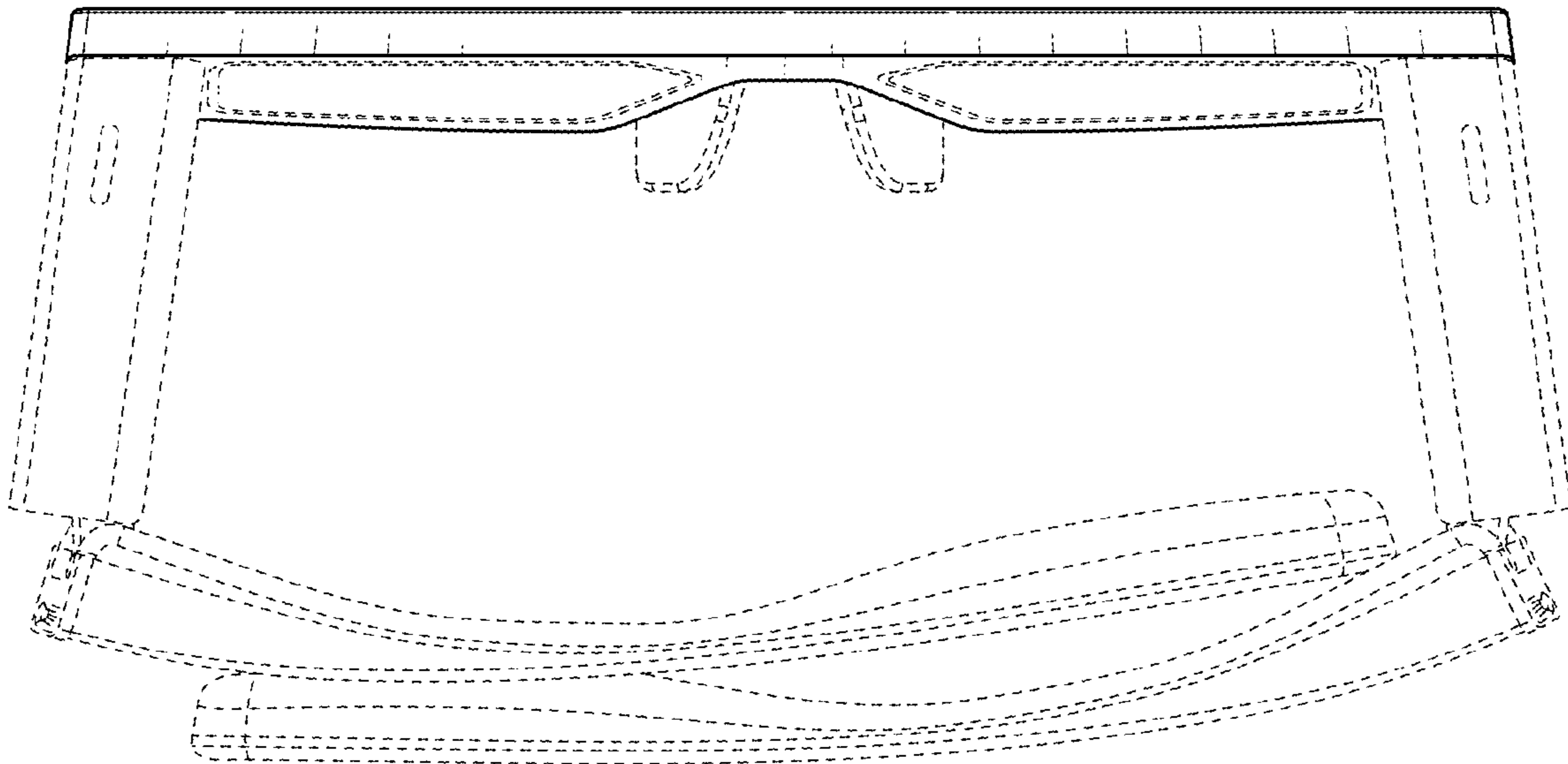


FIG. 3

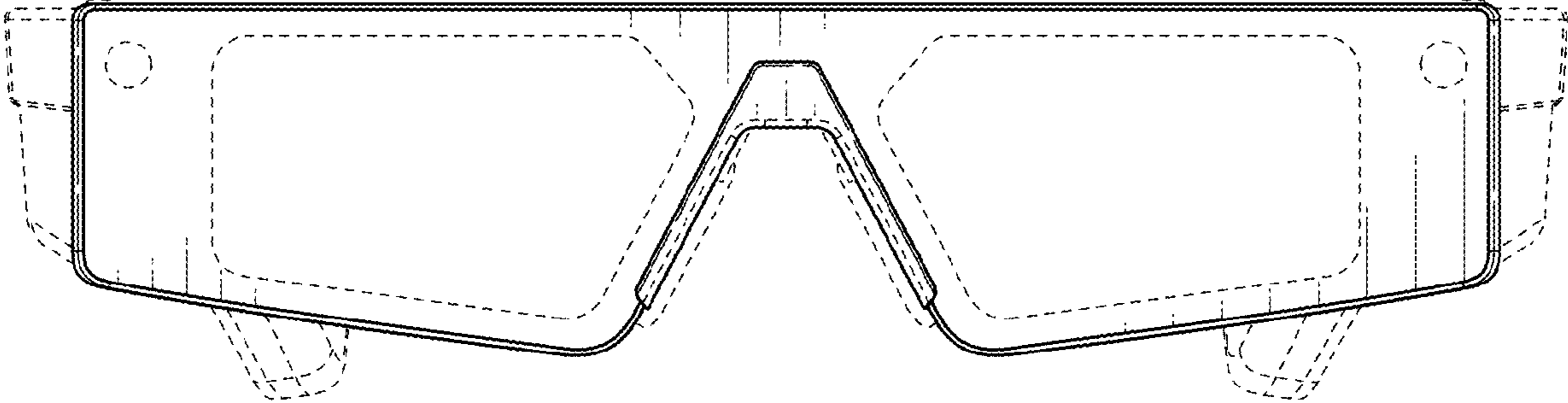


FIG. 4

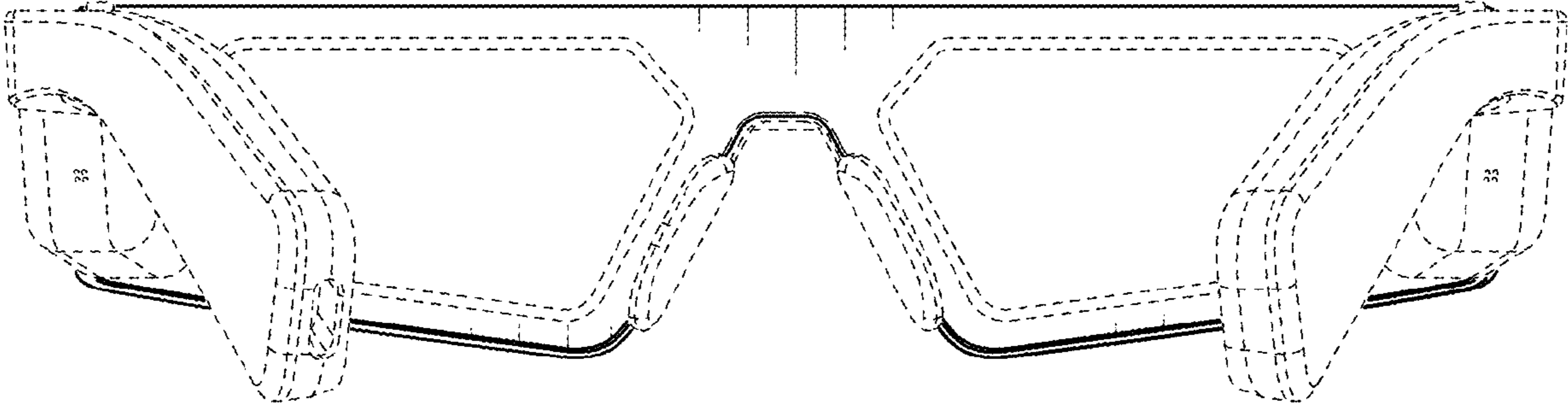


FIG. 5

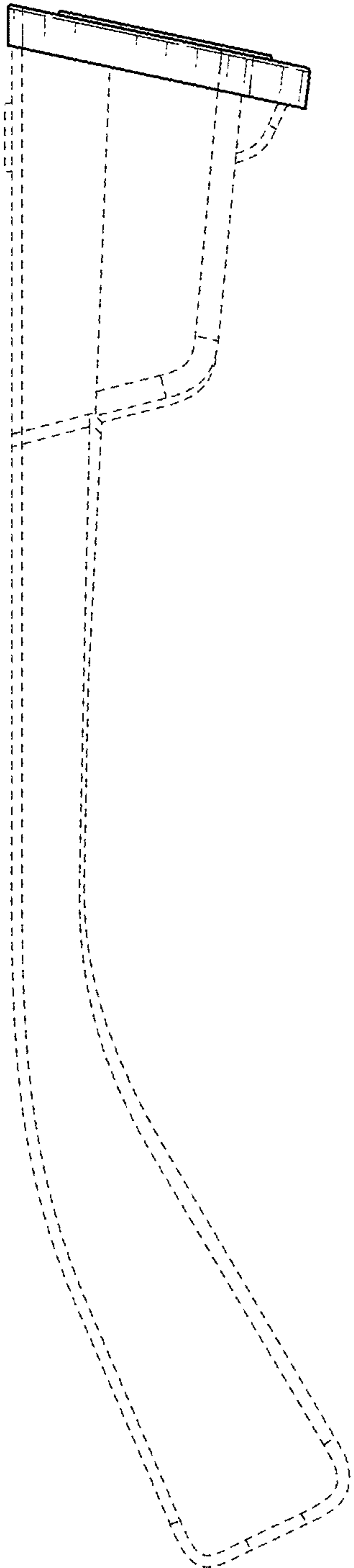


FIG. 6

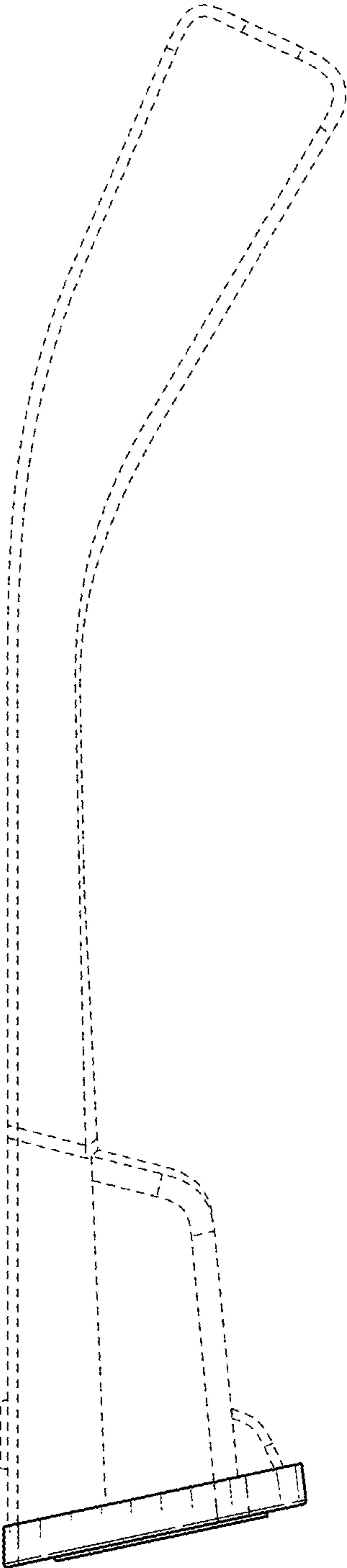


FIG. 7

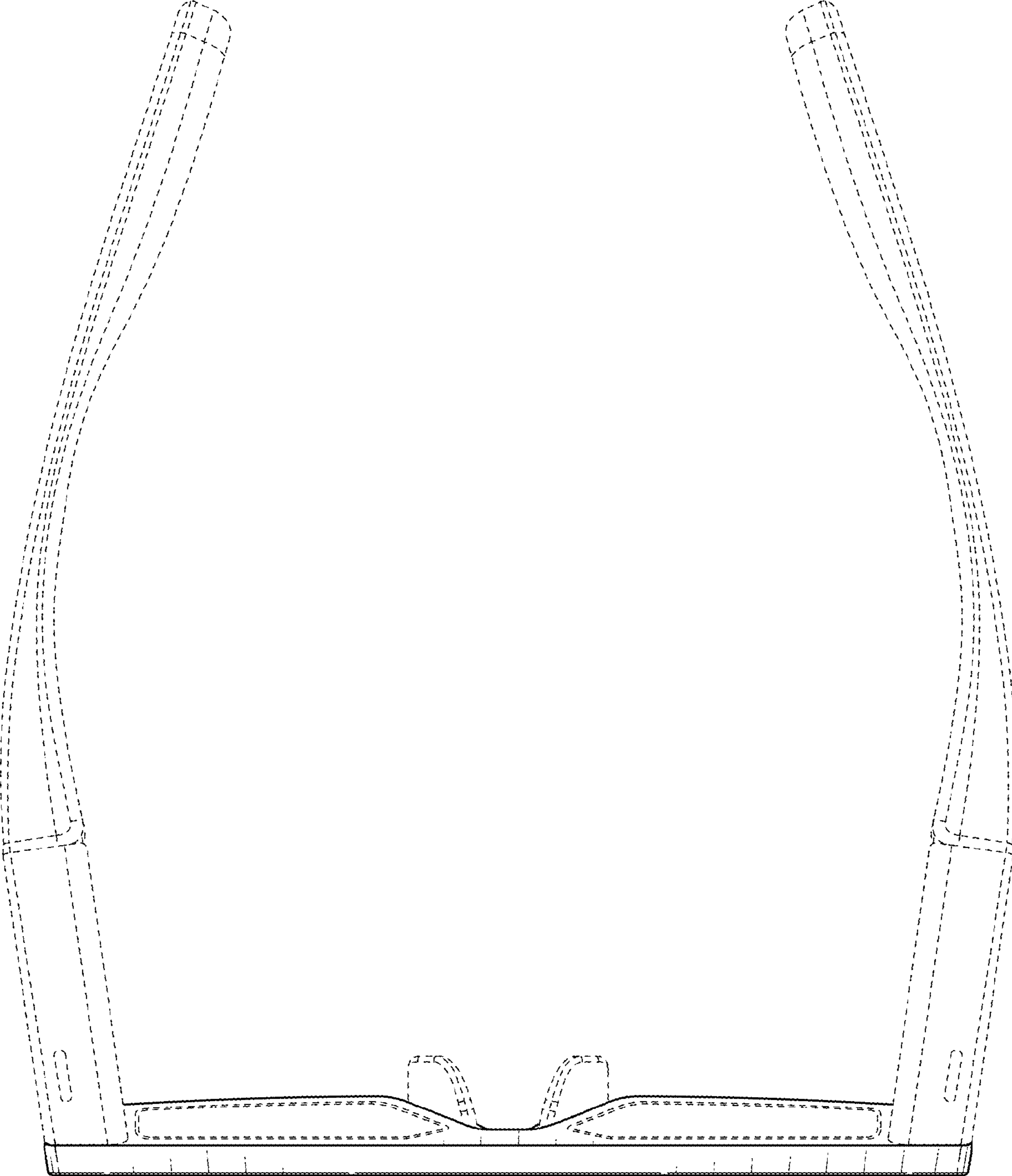


FIG. 8

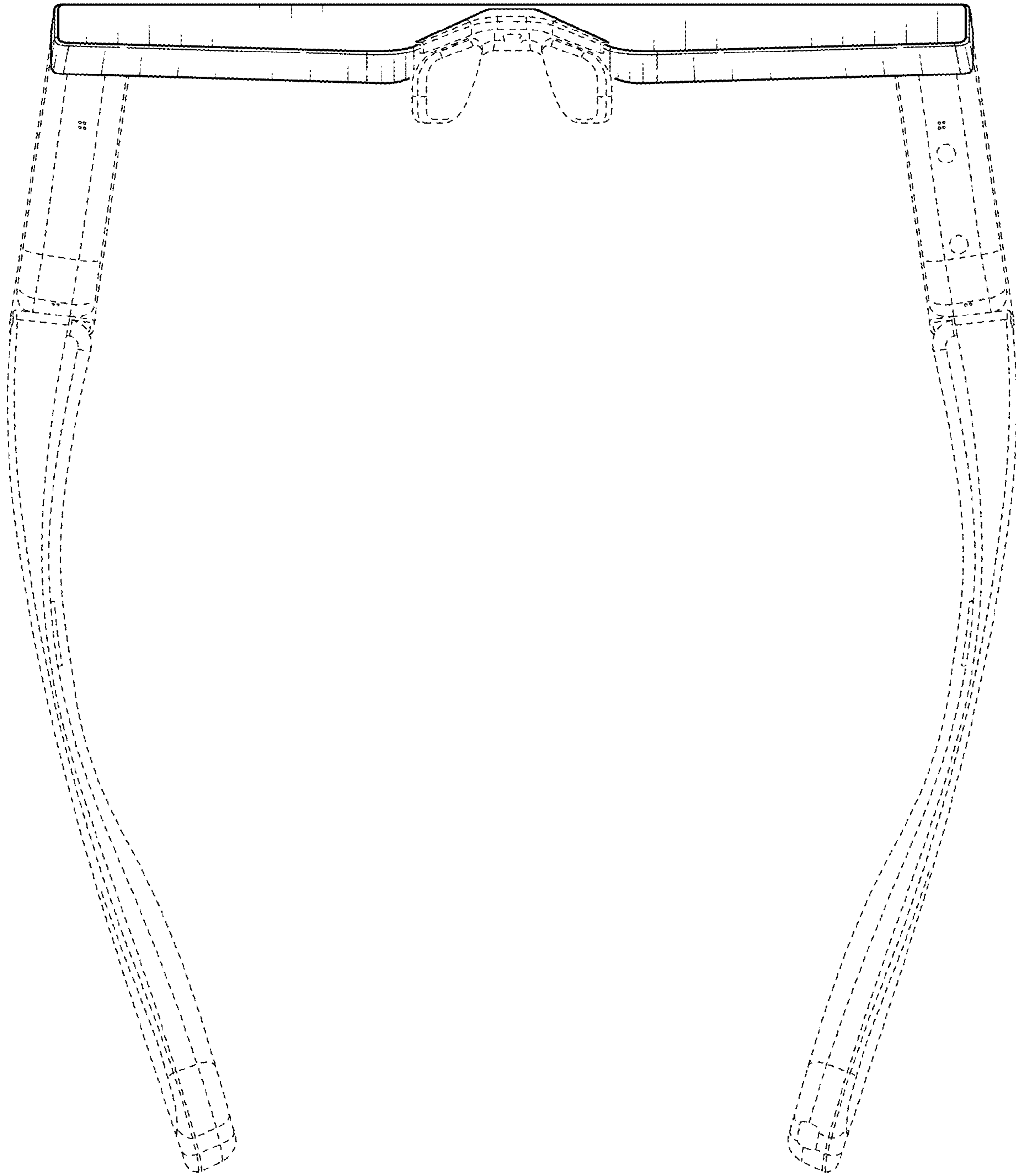


FIG. 9