

US00D945517S

(12) **United States Design Patent**
Wu et al.

(10) **Patent No.:** **US D945,517 S**
(45) **Date of Patent:** **** Mar. 8, 2022**

(54) **CAMERA HOLDER**

(71) Applicant: **Meng-Tsung Wu**, Taipei (TW)

(72) Inventors: **Meng-Tsung Wu**, Taipei (TW);
Hung-Yi Lin, Taipei (TW)

(73) Assignee: **Meng-Tsung Wu**, Taipei (TW)

(**) Term: **15 Years**

(21) Appl. No.: **29/726,937**

(22) Filed: **Mar. 6, 2020**

(30) **Foreign Application Priority Data**

Sep. 6, 2019 (TW) 108305430
Mar. 4, 2020 (TW) 109301094
Mar. 4, 2020 (TW) 109301095

(51) **LOC (13) Cl.** **16-05**

(52) **U.S. Cl.**
USPC **D16/242**

(58) **Field of Classification Search**

USPC D16/219, 237–250; D8/303, 307, 354,
D8/355, 363, 373, 382–383, 394–396;
D14/224, 229, 238, 251, 253, 447, 451,
D14/457
CPC A45F 5/00; A45F 5/10; F16M 11/06–10;
F16M 11/14; G02B 7/00–002; G03B
17/56; G03B 17/561–566; H04N
5/2253–2254

See application file for complete search history.

(56) **References Cited**

U.S. PATENT DOCUMENTS

D258,067 S * 1/1981 Bogart, Jr. D16/243
4,363,459 A * 12/1982 Holzer E06B 9/323
248/257

D270,916 S * 10/1983 Cheplo D16/243
D283,624 S * 4/1986 Maitani D16/219
D376,380 S * 12/1996 Yang D16/242
D630,239 S * 1/2011 Huguley D16/243
D677,309 S * 3/2013 Asano D16/243
D678,386 S * 3/2013 Huguley D16/243
D701,554 S * 3/2014 Huguley D16/243
D710,426 S * 8/2014 Sato D16/243
D730,973 S * 6/2015 Orton D16/243
D889,528 S * 7/2020 Kowalski D16/242
D895,715 S * 9/2020 Imamizu D16/237
D908,779 S * 1/2021 Lenihan D16/242
2012/0106944 A1 * 5/2012 Johnson H01G 9/0425
396/428

* cited by examiner

Primary Examiner — Vy N Koenig

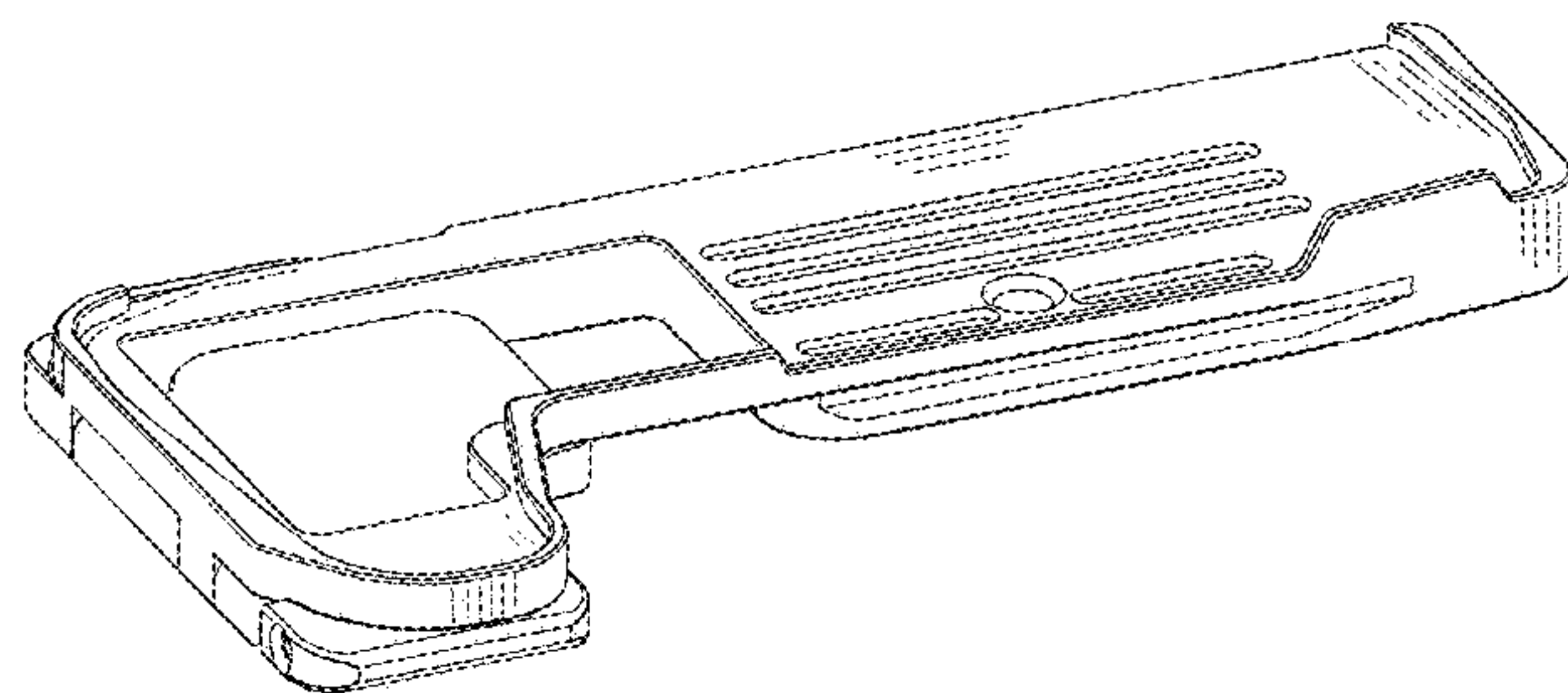
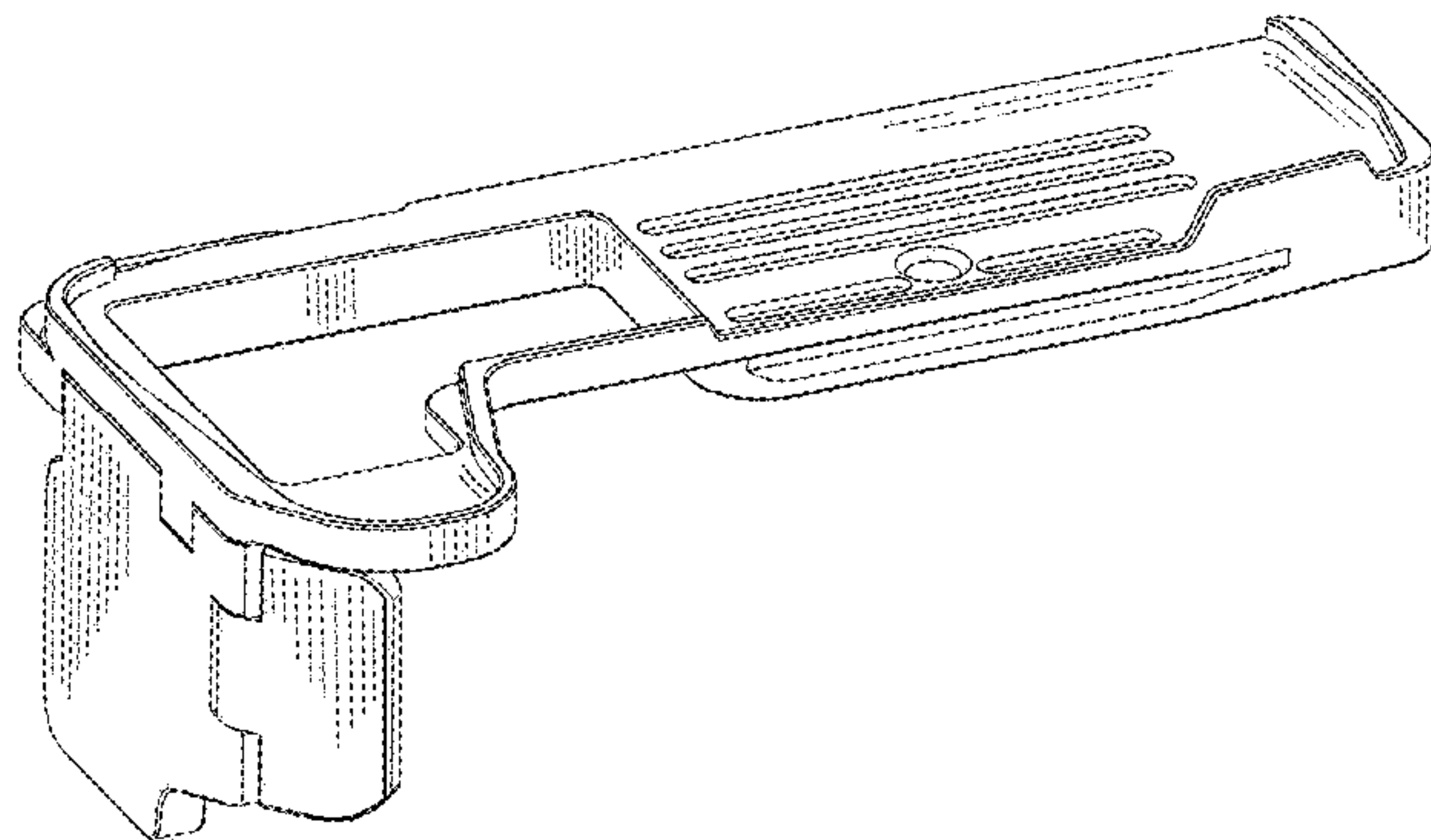
(57) **CLAIM**

The ornamental design for a camera holder, as shown and described.

DESCRIPTION

FIG. 1 is a perspective view of a camera holder showing our new design;
FIG. 2 is a front view thereof;
FIG. 3 is a rear view thereof;
FIG. 4 is a left side view thereof;
FIG. 5 is a right side view thereof;
FIG. 6 is a top view thereof;
FIG. 7 is a bottom view thereof;
FIG. 8 is a perspective view for a camera holder of FIG. 1 in a partly closed position; and,
FIG. 9 is a perspective view for a camera holder of FIG. 8 in a closed position.
The broken lines shown in the drawings depict portions of the camera holder that form no part of the claimed design.

1 Claim, 9 Drawing Sheets



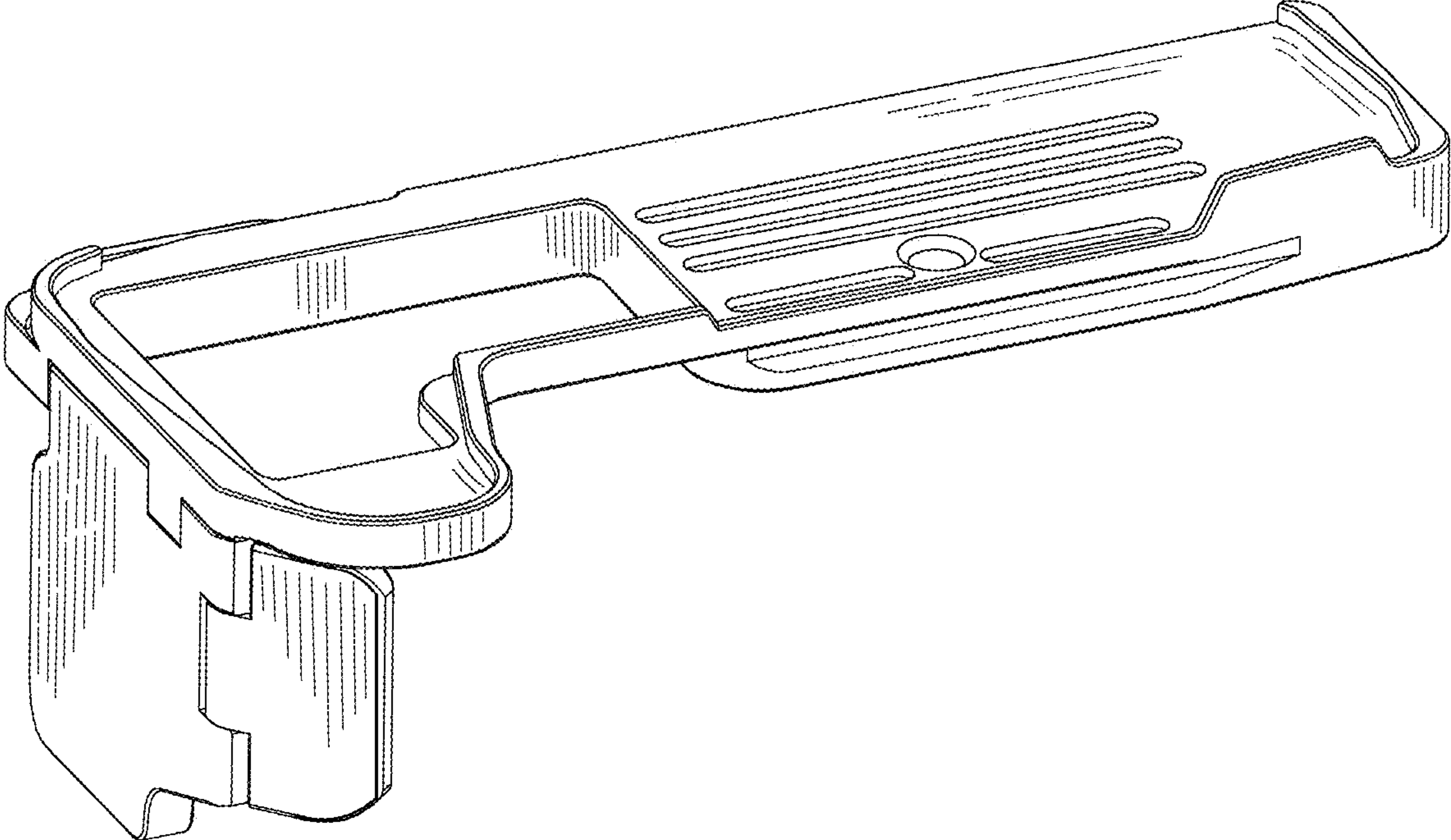


FIG. 1

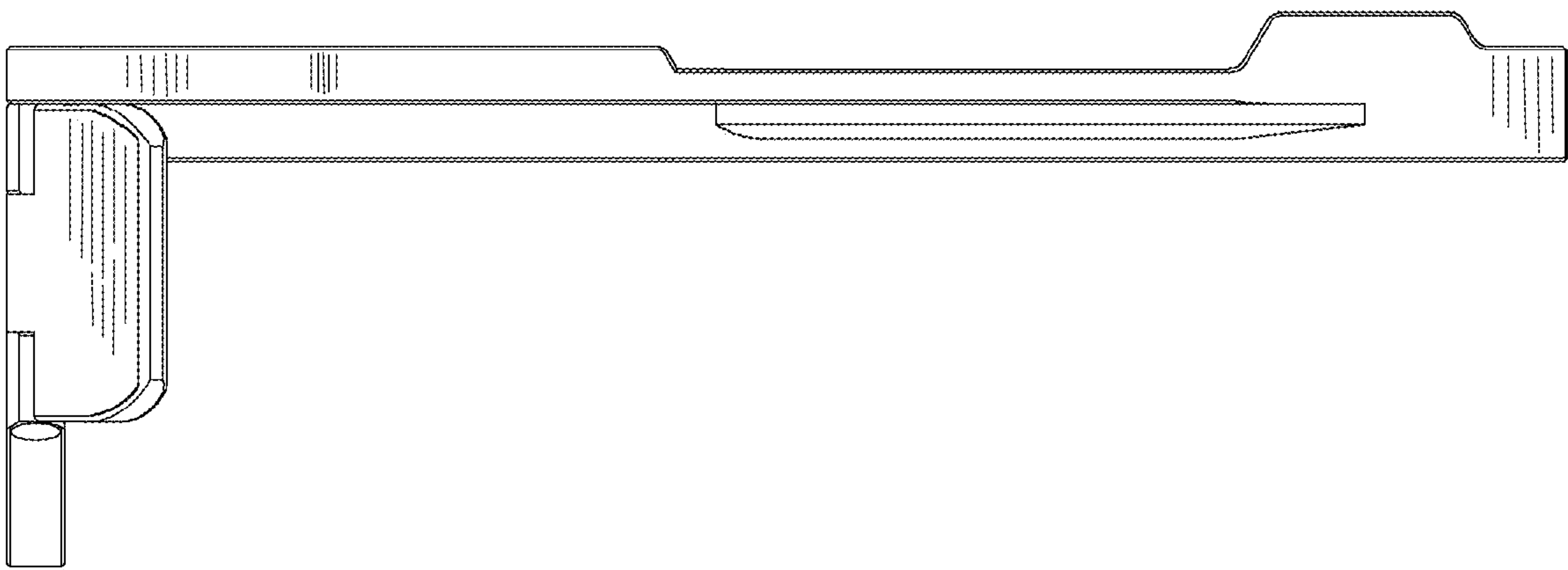


FIG. 2

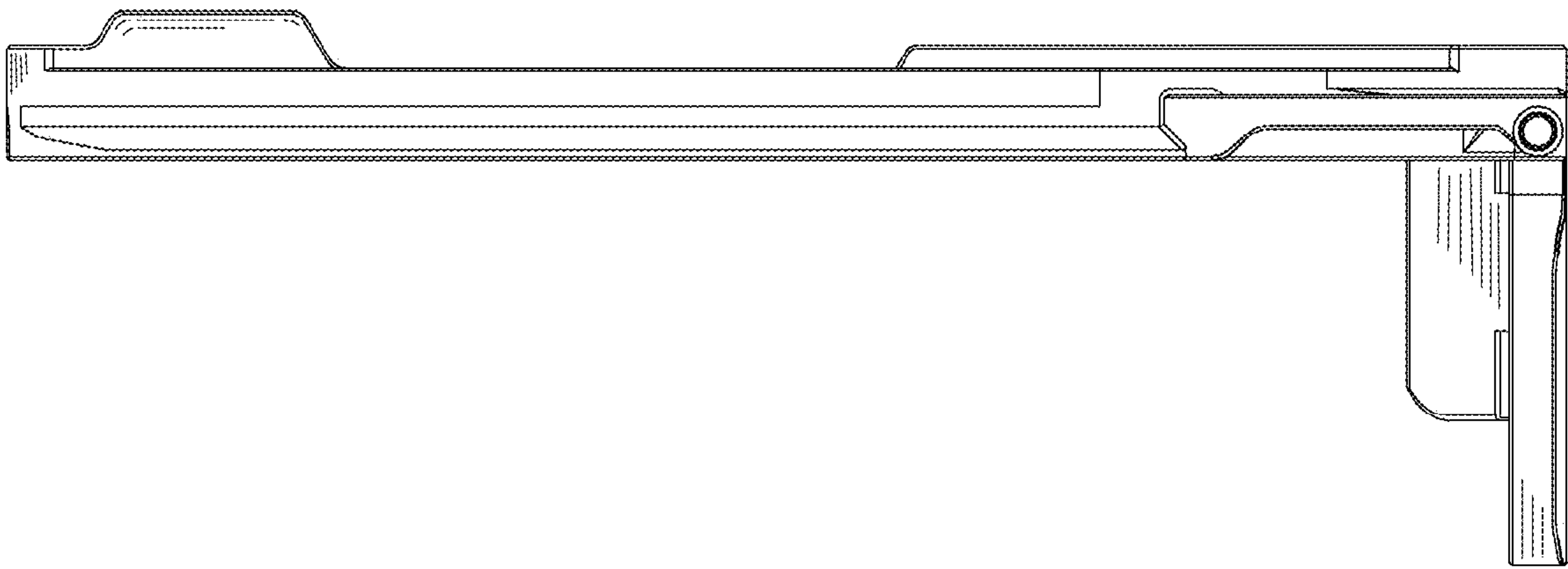


FIG. 3

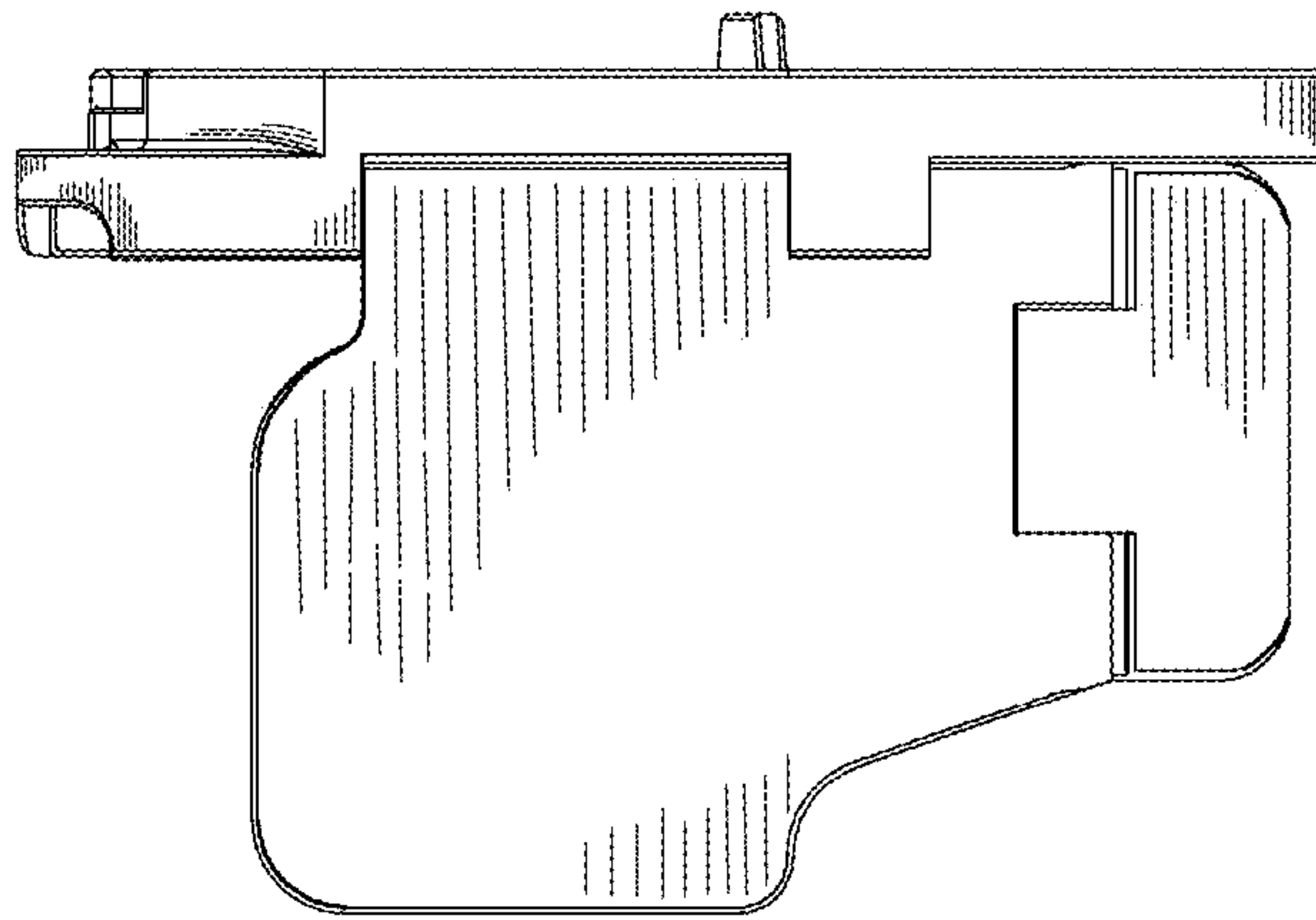


FIG. 4

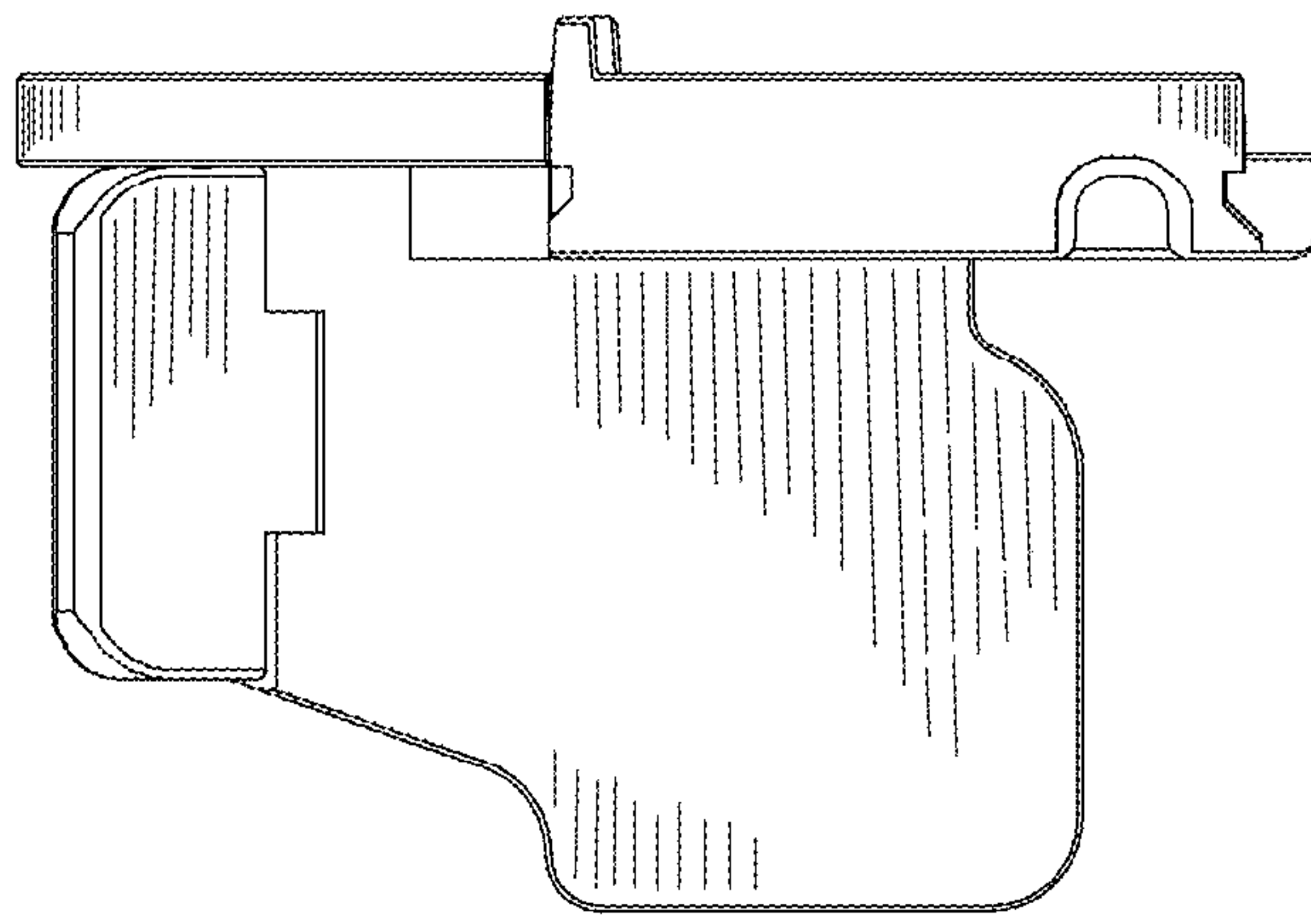


FIG. 5

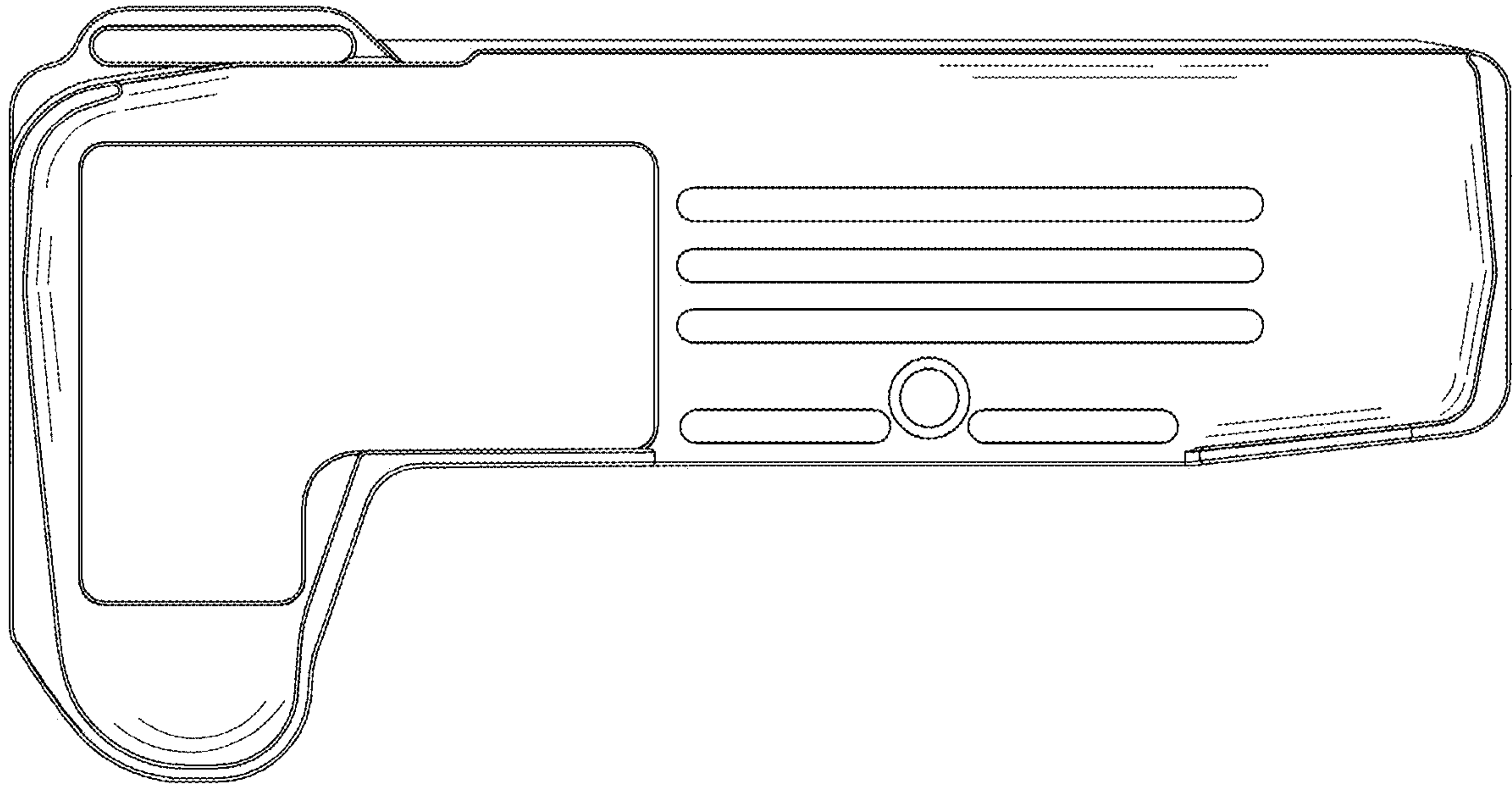


FIG. 6

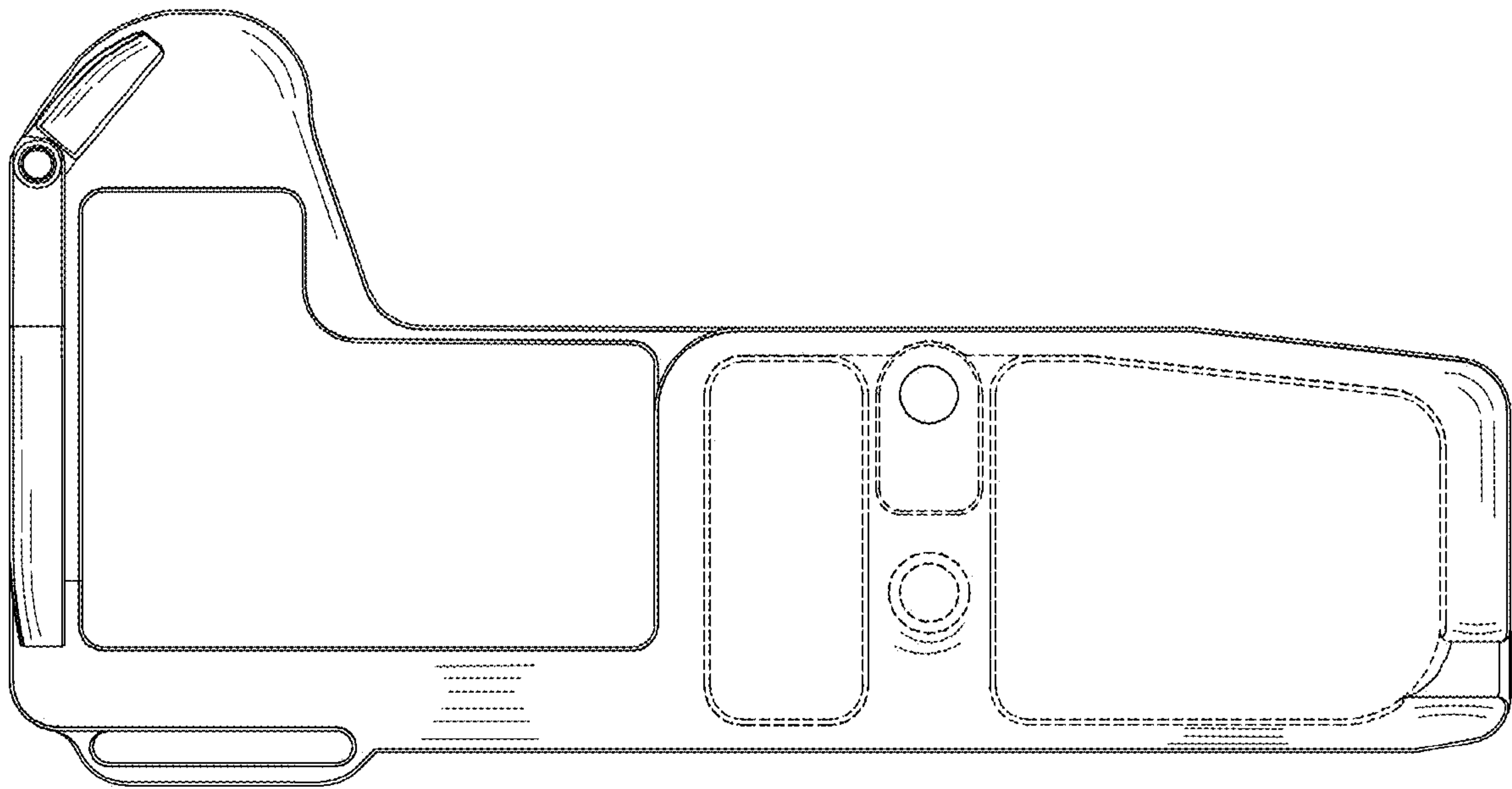


FIG. 7

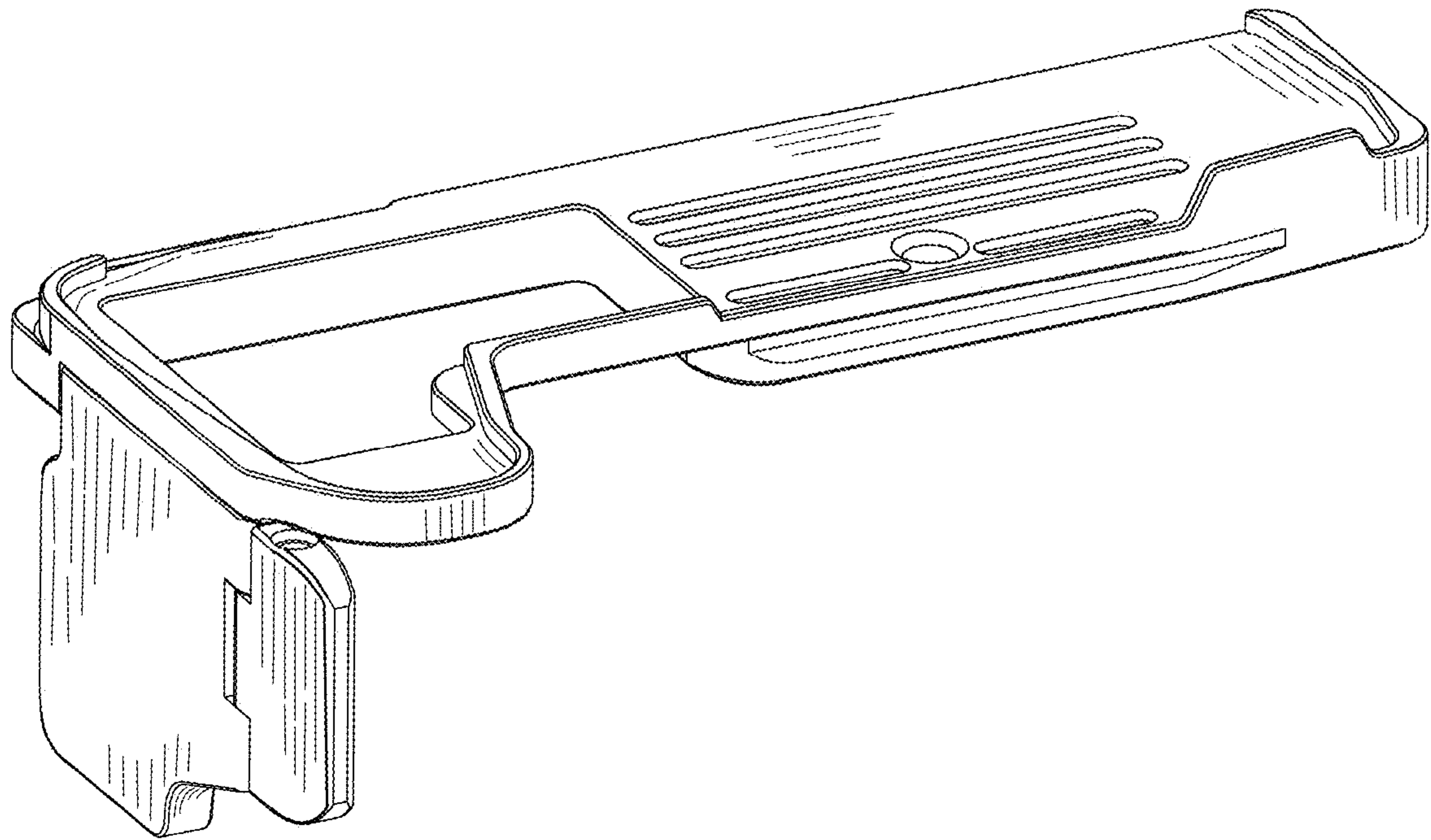


FIG. 8

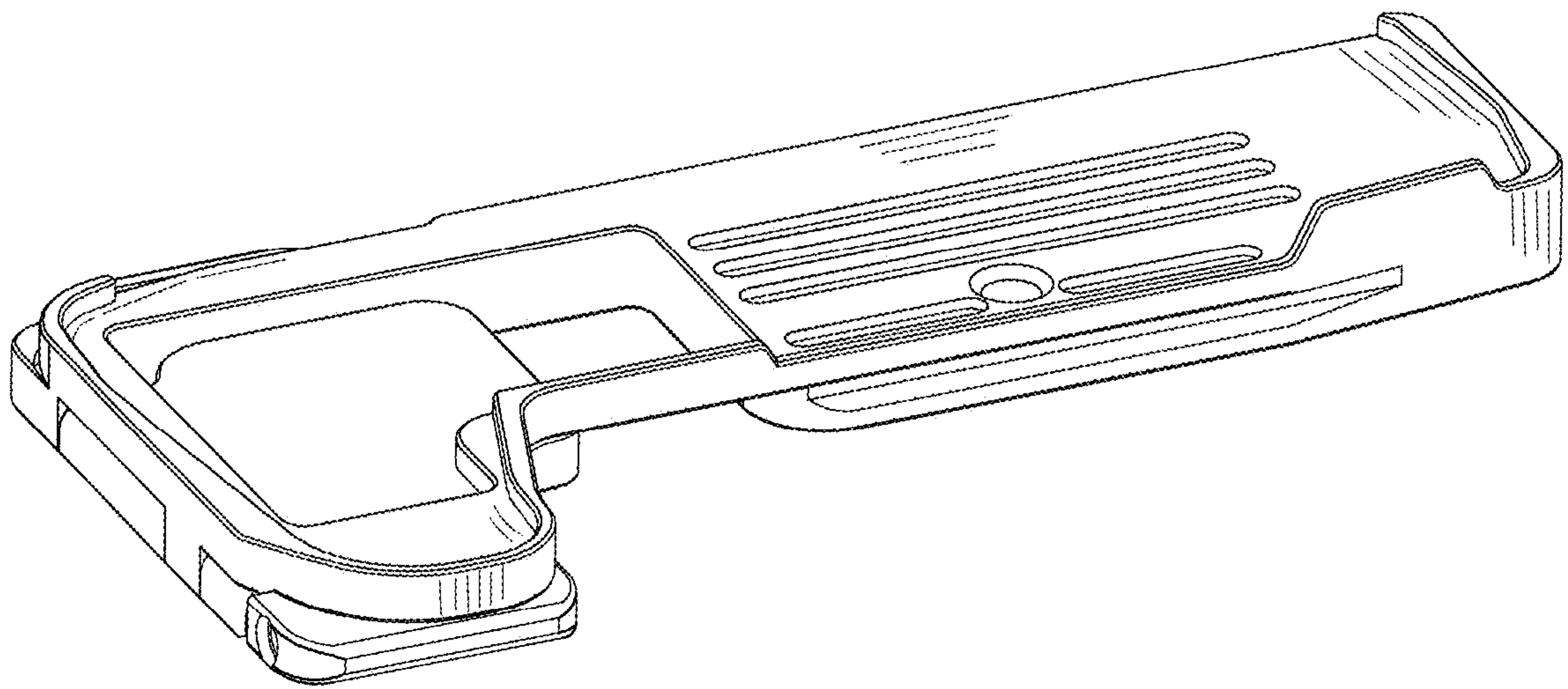


FIG. 9