

US00D945516S

(12) **United States Design Patent**  
**Chen et al.**

(10) **Patent No.:** **US D945,516 S**  
(45) **Date of Patent:** **\*\* Mar. 8, 2022**

(54) **PROJECTOR**

(71) Applicant: **Appotronics Corporation Limited,**  
Guangdong (CN)

(72) Inventors: **Bo Chen,** Shenzhen (CN); **Wuyin Fu,**  
Shenzhen (CN); **Yi Li,** Shenzhen (CN)

(73) Assignee: **Appotronics Corporation Limited,**  
Shenzhen (CN)

(\*\*) Term: **15 Years**

(21) Appl. No.: **29/718,206**

(22) Filed: **Dec. 20, 2019**

(30) **Foreign Application Priority Data**

Jun. 21, 2019 (CN) ..... 201930324978.7  
Dec. 9, 2019 (CN) ..... 201930684844.6

(51) **LOC (13) Cl.** ..... **16-02**

(52) **U.S. Cl.**  
USPC ..... **D16/230**

(58) **Field of Classification Search**  
USPC ..... D16/221, 225, 229–231, 234; D21/514  
CPC ..... G03B 21/145; G03B 21/14; G03B 21/16;  
G03B 21/00; G03B 21/001; G03B 21/003  
See application file for complete search history.

(56) **References Cited**

**U.S. PATENT DOCUMENTS**

D398,321 S \* 9/1998 Iida ..... D16/221  
D436,979 S \* 1/2001 Yokoyama ..... D16/225

D489,747 S \* 5/2004 Safran ..... D16/230  
7,210,796 B2 \* 5/2007 Iinuma ..... G03B 21/22  
353/119  
D599,393 S \* 9/2009 Takeda ..... D16/225  
D601,608 S \* 10/2009 Kim ..... D16/225  
8,087,790 B2 \* 1/2012 Nakanishi ..... G03B 21/145  
353/119  
D799,579 S \* 10/2017 Yuyama ..... D16/235

\* cited by examiner

*Primary Examiner* — Wan Laymon

(74) *Attorney, Agent, or Firm* — Yong Chen

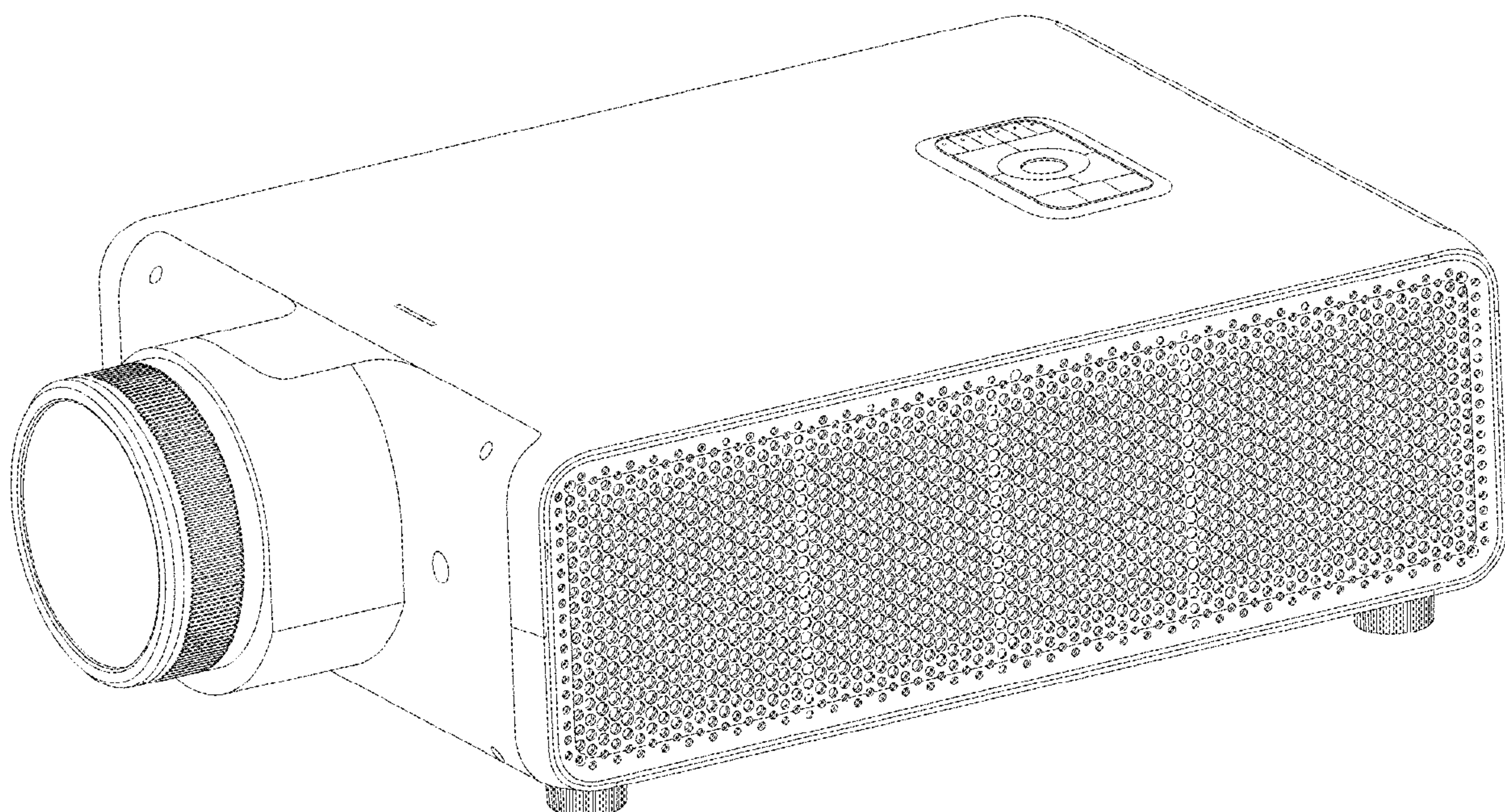
(57) **CLAIM**

The ornamental design for a projector, as shown and described.

**DESCRIPTION**

FIG. 1 is a reduced perspective view of a projector of the present invention.  
FIG. 2 is a front view thereof.  
FIG. 3 is a rear view thereof.  
FIG. 4 is a left view thereof.  
FIG. 5 is a right view thereof.  
FIG. 6 is a top view thereof; and,  
FIG. 7 is a bottom view thereof.  
The broken line shown in the drawings is included for the purpose of illustrating portions of the projector and forms no part of the claimed design.

**1 Claim, 7 Drawing Sheets**





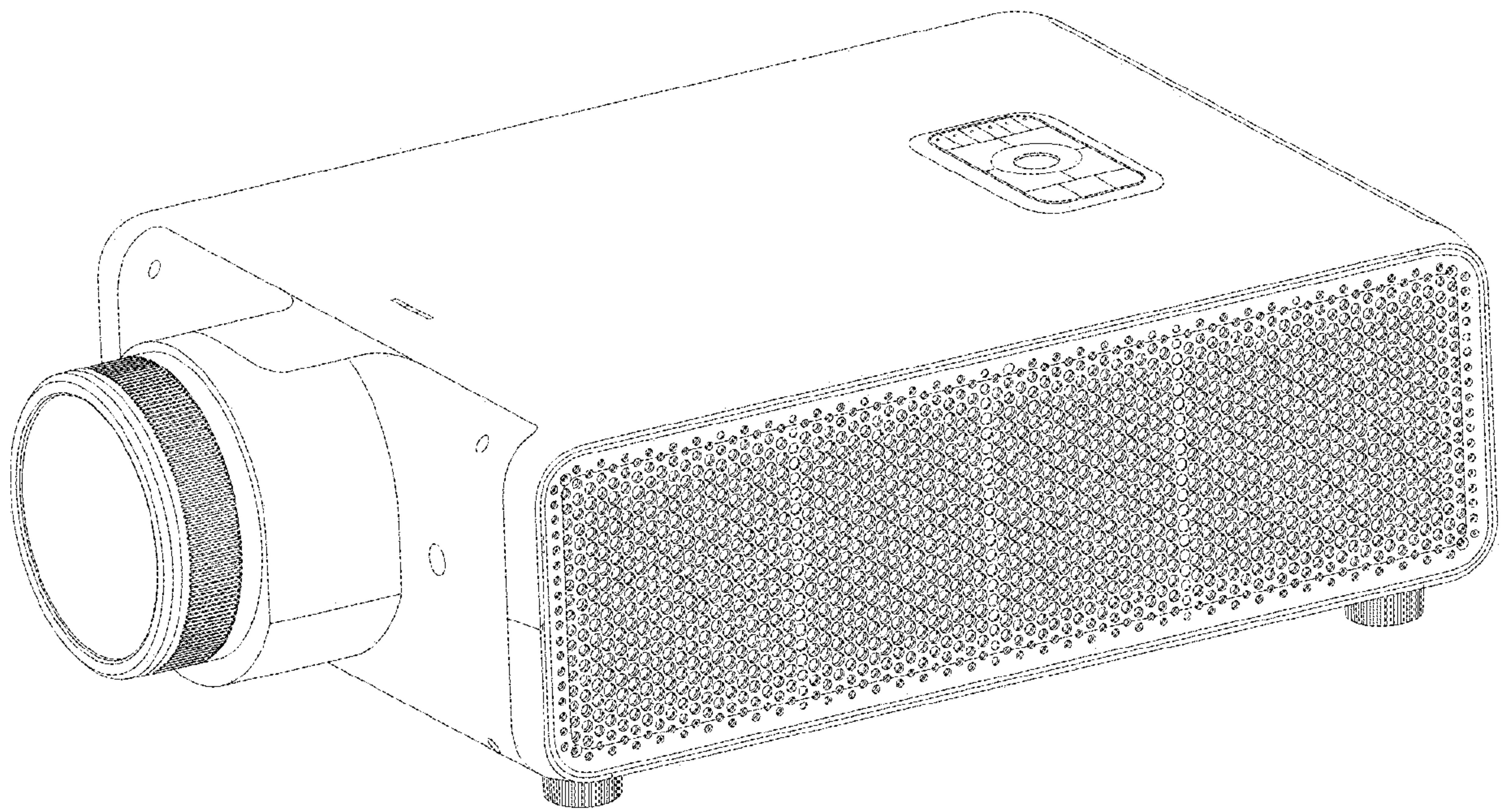


FIG. 1

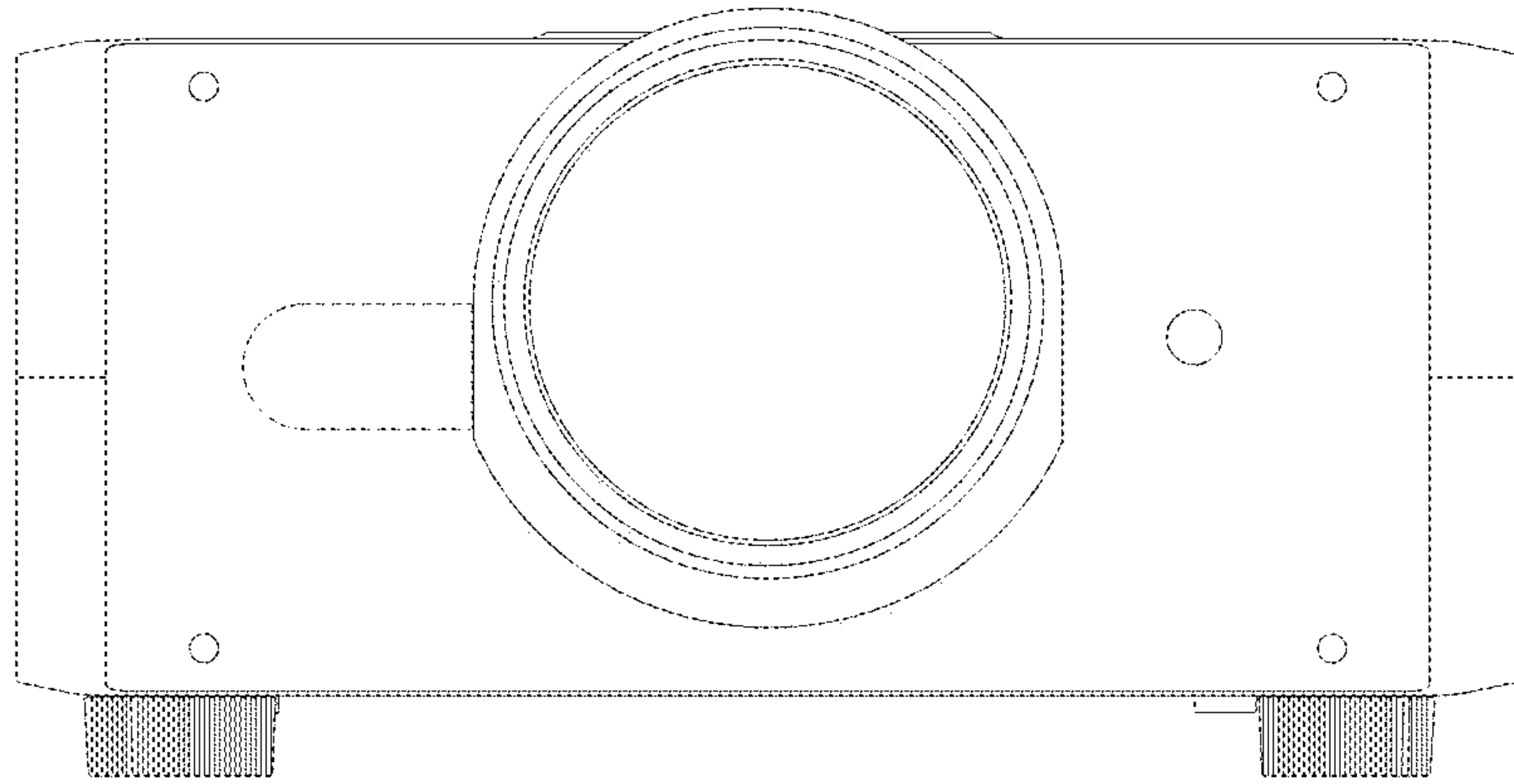


FIG. 2

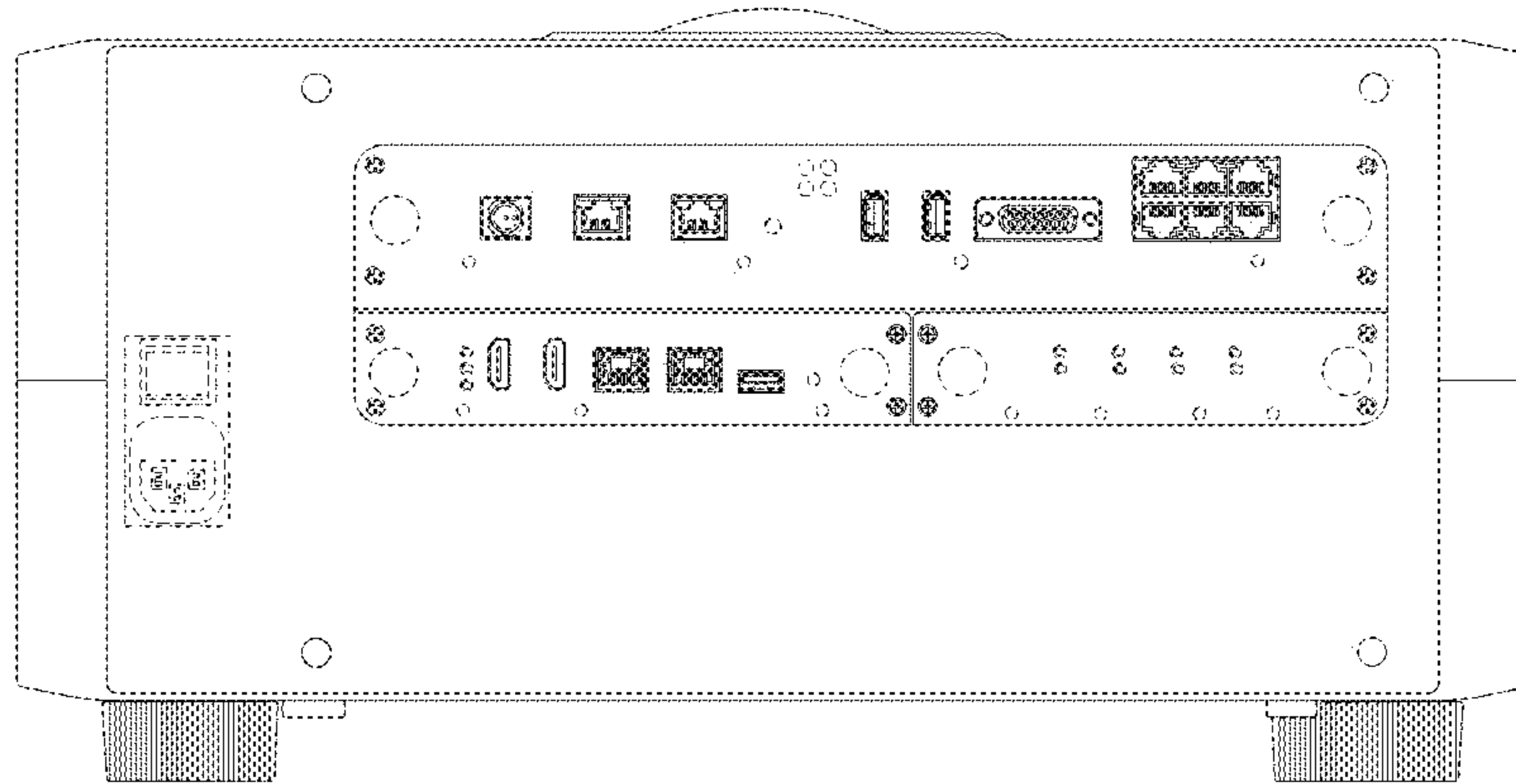


FIG. 3

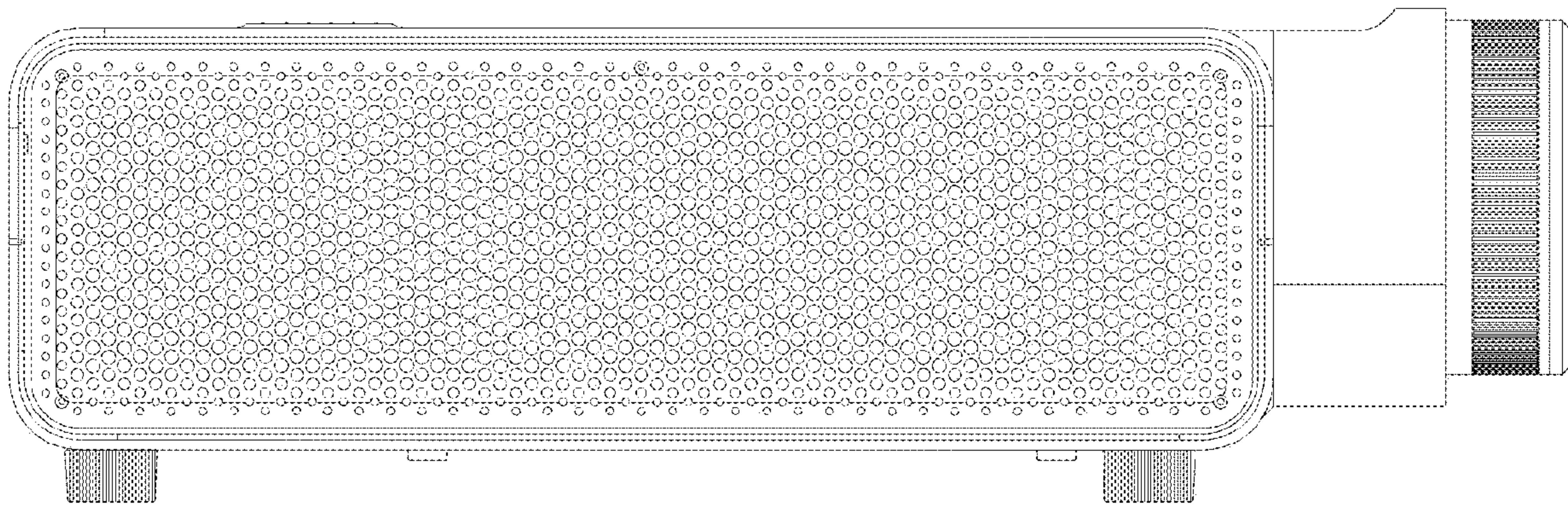


FIG. 4



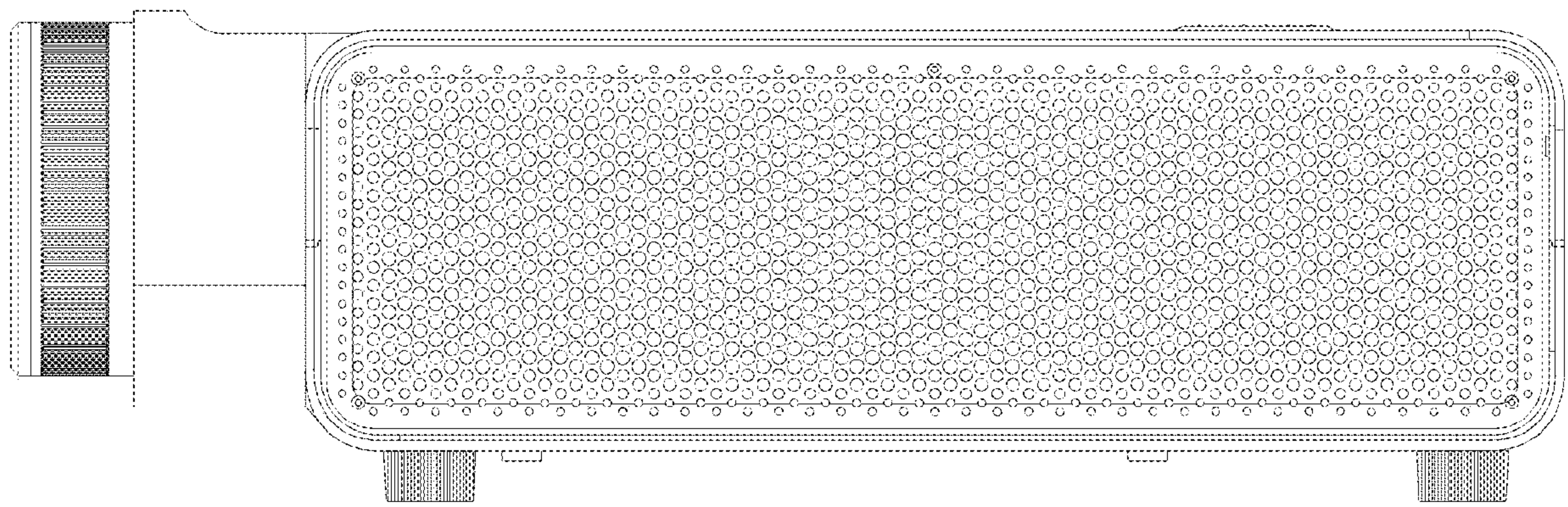


FIG. 5

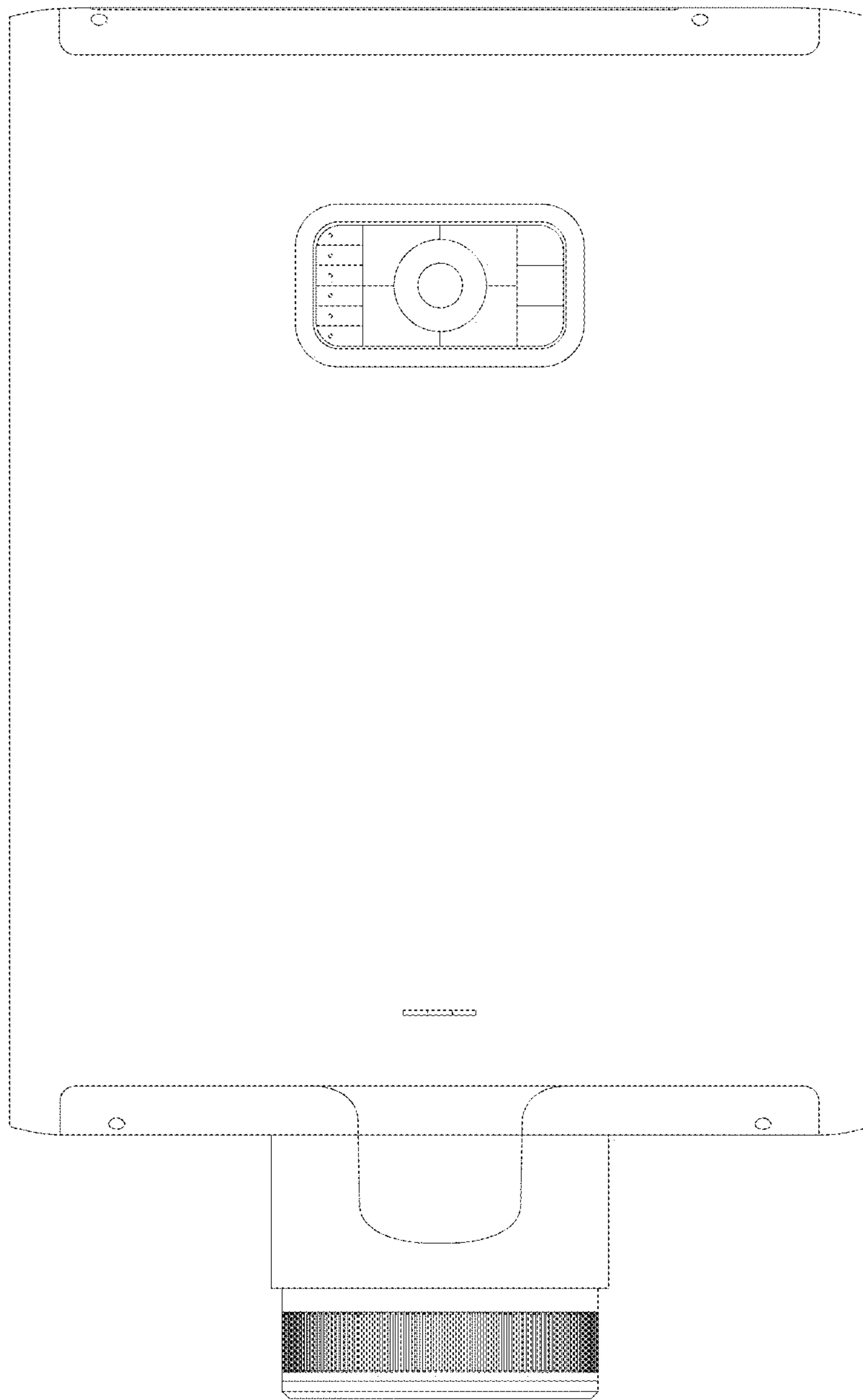


FIG. 6

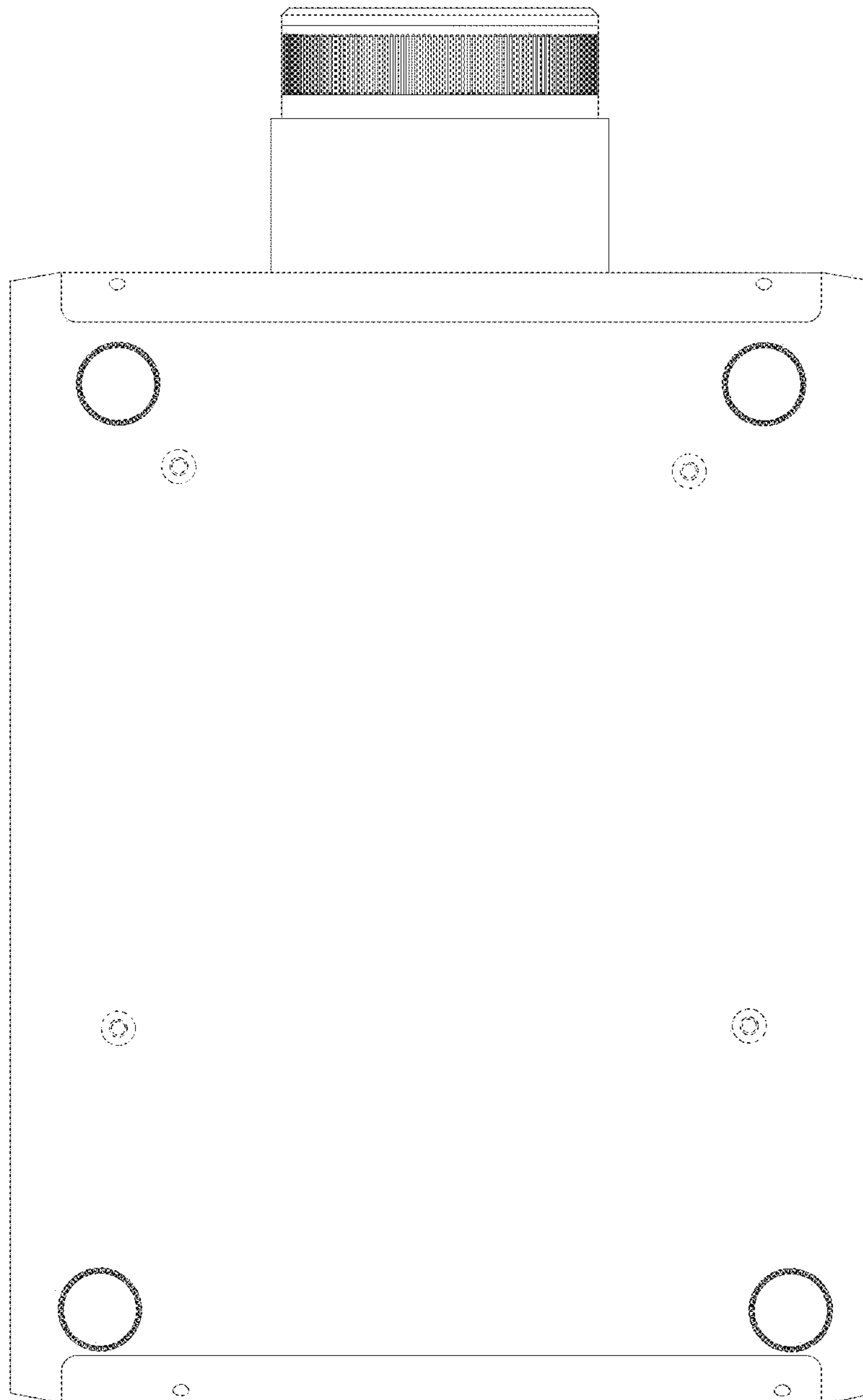


FIG. 7